



US00D788190S

(12) **United States Design Patent** (10) **Patent No.:** **US D788,190 S**  
**Kim et al.** (45) **Date of Patent:** **\*\* May 30, 2017**

(54) **DRAWER FOR REFRIGERATOR**  
(71) Applicant: **Samsung Electronics Co., Ltd.**,  
Suwon-si (KR)  
(72) Inventors: **Ki-Soo Kim**, Gunpo-Si (KR);  
**Da-Jeong Kim**, Seoul (KR); **Yeon-Jin**  
**Jo**, Suwon-si (KR)  
(73) Assignee: **Samsung Electronics Co., Ltd.**,  
Suwon-si (KR)  
(\*\*) Term: **15 Years**

(21) Appl. No.: **29/560,477**  
(22) Filed: **Apr. 7, 2016**

(30) **Foreign Application Priority Data**  
Oct. 29, 2015 (KR) ..... 30-2015-0054388  
(51) **LOC (10) Cl.** ..... **15-07**  
(52) **U.S. Cl.**  
USPC ..... **D15/89**  
(58) **Field of Classification Search**  
USPC ..... D15/79-91  
CPC .... F25D 27/00; F25D 2323/021; F25D 23/00;  
F25D 23/02; F25D 2400/361; F25D  
2500/06; F25D 25/025; F25D 29/00;  
F25D 29/005; F25D 11/00; F25D 11/02;  
F25D 17/062; F25D 17/067; F25D 17/08;  
F25D 21/04; F25D 2201/10; F25D  
2300/00; F25D 2325/021; F25D 23/028;  
F25D 23/04; F25D 23/062; F25D 23/12;  
F25D 2400/02; F25D 2400/40; F25D  
25/02; F25D 25/024; F25D 2600/00;  
F25D 2700/00; F25D 2700/02; F25D  
2700/06; F25D 2700/08; F25D 2700/16;  
F25D 23/021; F25D 11/022; F25D  
17/065; F25D 23/067; F25D 11/025;  
F25D 17/042; F25D 23/10; F25D 25/04;  
F25D

(Continued)

(56) **References Cited**  
U.S. PATENT DOCUMENTS  
D676,468 S \* 2/2013 Lee ..... D15/89  
D724,118 S \* 3/2015 Kim ..... D15/89  
(Continued)

FOREIGN PATENT DOCUMENTS  
EM 001290563-0006 8/2011  
JP D1277484 7/2006  
KR 30-2006-0004104 12/2006

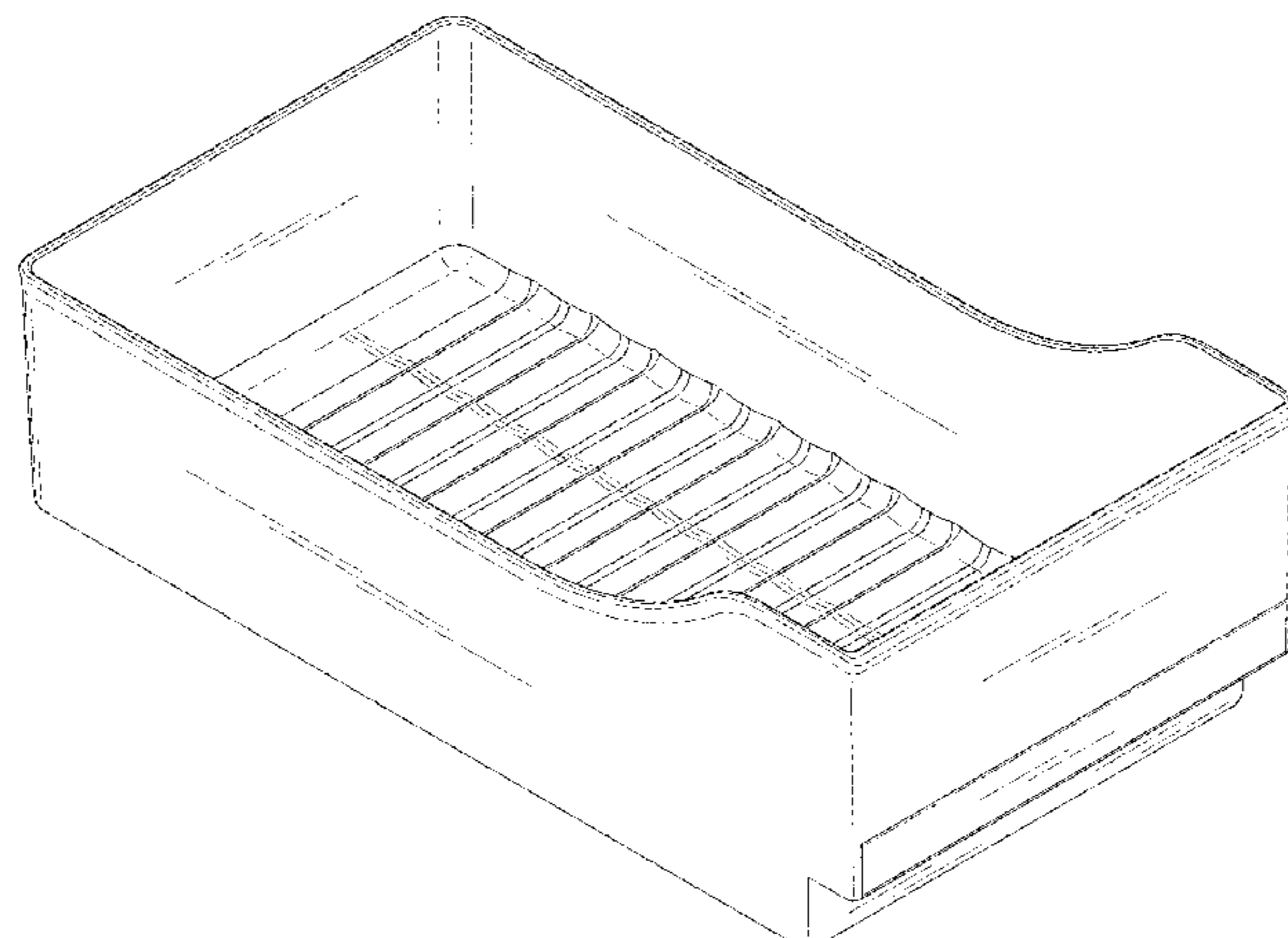
OTHER PUBLICATIONS  
Fischer Paykel. "Fischer Paykel Refrigerator Small Drawer Bin Part #836522 Fits Mod E522B" [2015] www.amazon.com Feb. 10, 2015 <<http://www.amazon.com/Fischer-Paykel-Refrigerator-Drawer-E522B/dp/B00TEP0A98>>.  
(Continued)

*Primary Examiner* — Ian Simmons  
*Assistant Examiner* — Khawaja Anwar  
(74) *Attorney, Agent, or Firm* — NSIP Law

(57) **CLAIM**  
We claim the ornamental design for a drawer for refrigerator, as shown and described.

**DESCRIPTION**  
FIG. 1 is a front perspective view of a drawer for refrigerator showing our new design;  
FIG. 2 is a front view thereof;  
FIG. 3 is a rear view thereof;  
FIG. 4 is a left-side view thereof;  
FIG. 5 is a right-side view thereof;  
FIG. 6 is a top view thereof;  
FIG. 7 is a bottom view thereof; and,  
FIG. 8 is a cross-sectional view taken through line 8-8 in FIG. 2.  
The broken lines in the figures depict environmental subject matter and form no part of the claimed design.

**1 Claim, 6 Drawing Sheets**



(58) **Field of Classification Search**

CPC .... 15/00; F25D 17/045; F25D 2400/36; F25D  
17/02; F25D 2317/043; F25D 23/003;  
F25D 23/065; F25D 2700/123; F25D  
2317/061; F25D 23/069; F25D 23/087;  
F25D 11/006; F25D 11/027

See application file for complete search history.

(56) **References Cited**

U.S. PATENT DOCUMENTS

D733,773 S \* 7/2015 Lee ..... D15/89  
D745,068 S \* 12/2015 Jeon ..... D15/89  
D754,759 S \* 4/2016 McConnell ..... D15/89  
D759,734 S \* 6/2016 Lee ..... D15/89

OTHER PUBLICATIONS

Spares4appliances. "Genuine Bosch Refrigerator Fridge Freezer  
Clear Vegetable Drawer 216397 471069". [2015] www.ebay.com  
Dec. 19, 2015 <<http://www.ebay.com/itm/Genuine-Bosch-Refrigerator-Fridge-Freezer-Clear-Vegetable-Drawer-216397-471069-/371468839425?hash=item567d44aa01>  
:g:DE0AAOSwo-6lWHkch>.

\* cited by examiner

FIG. 1

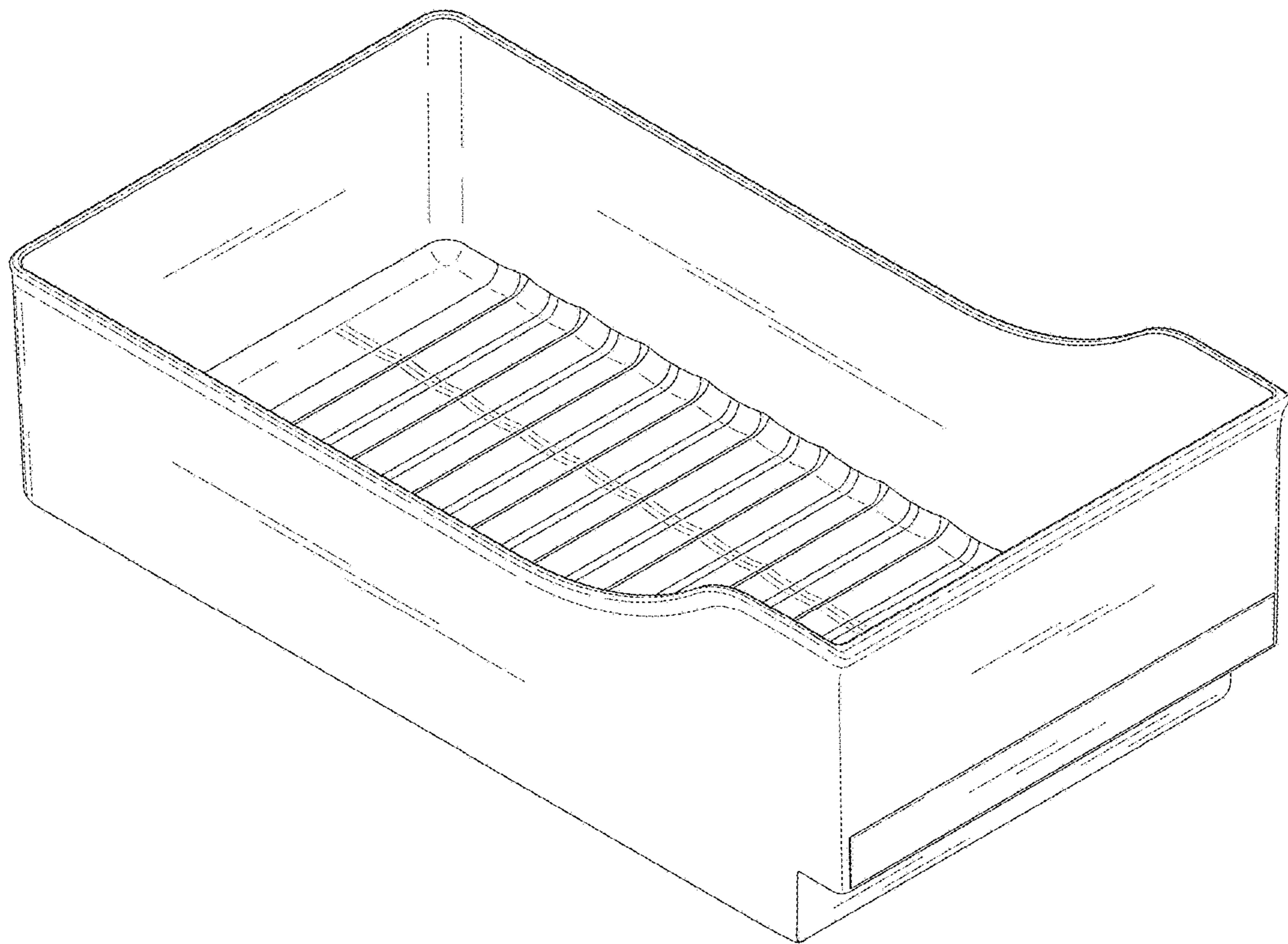


FIG. 2

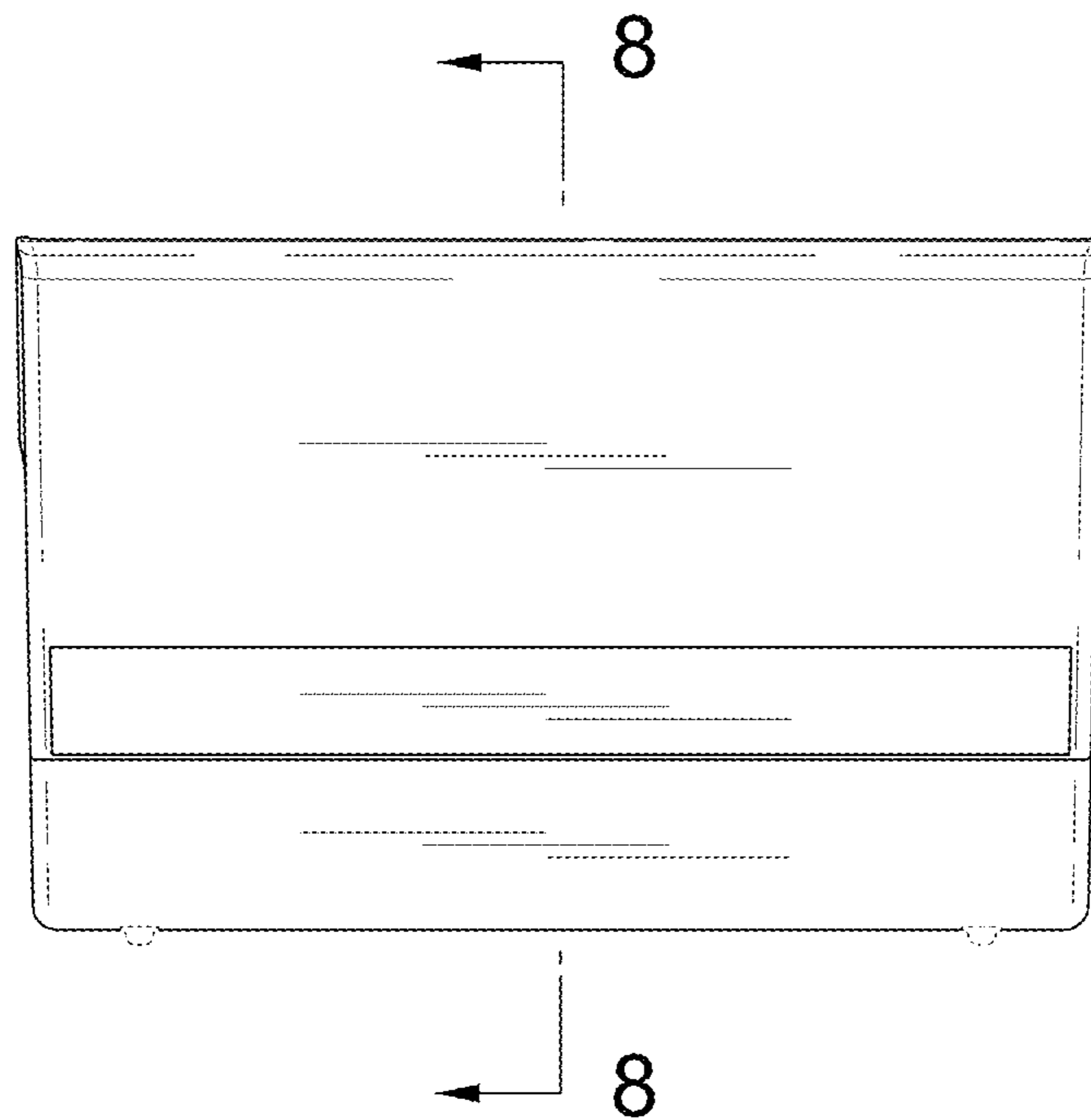


FIG. 3

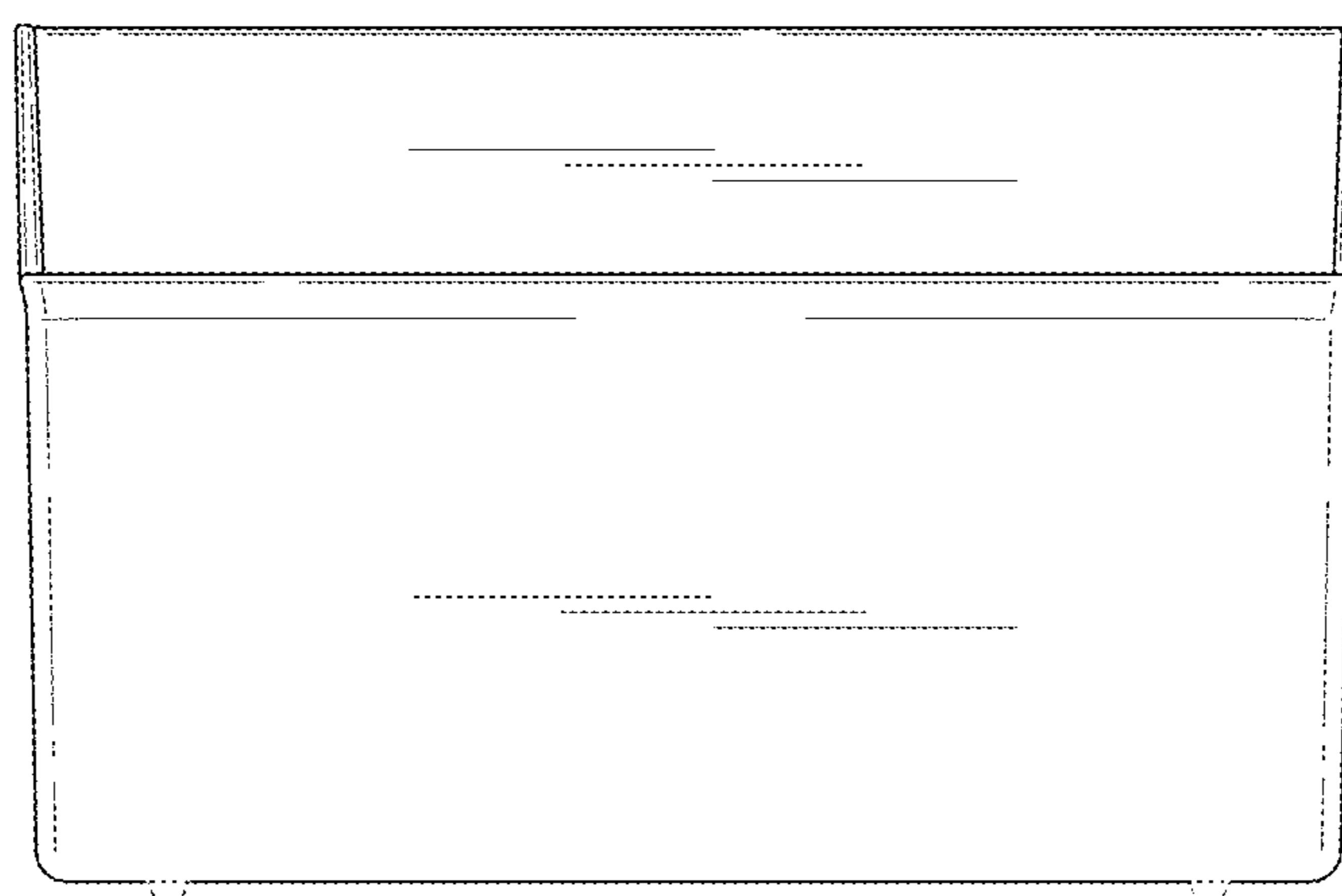


FIG. 4

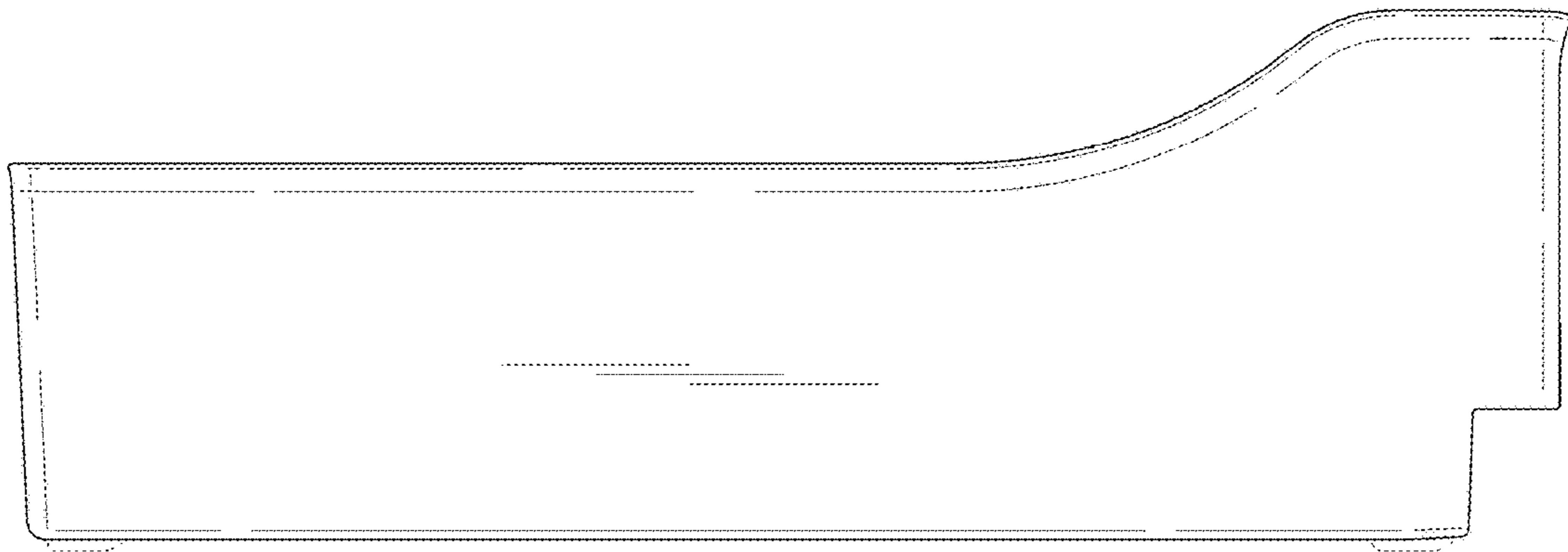


FIG. 5

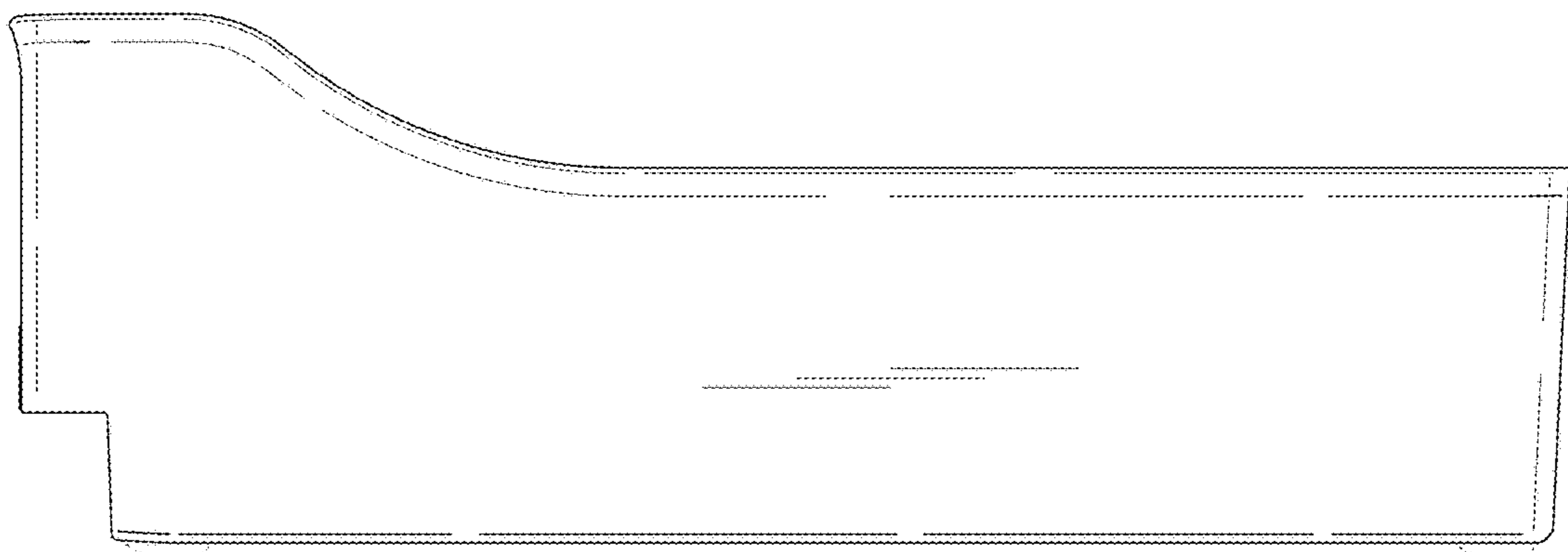


FIG. 6

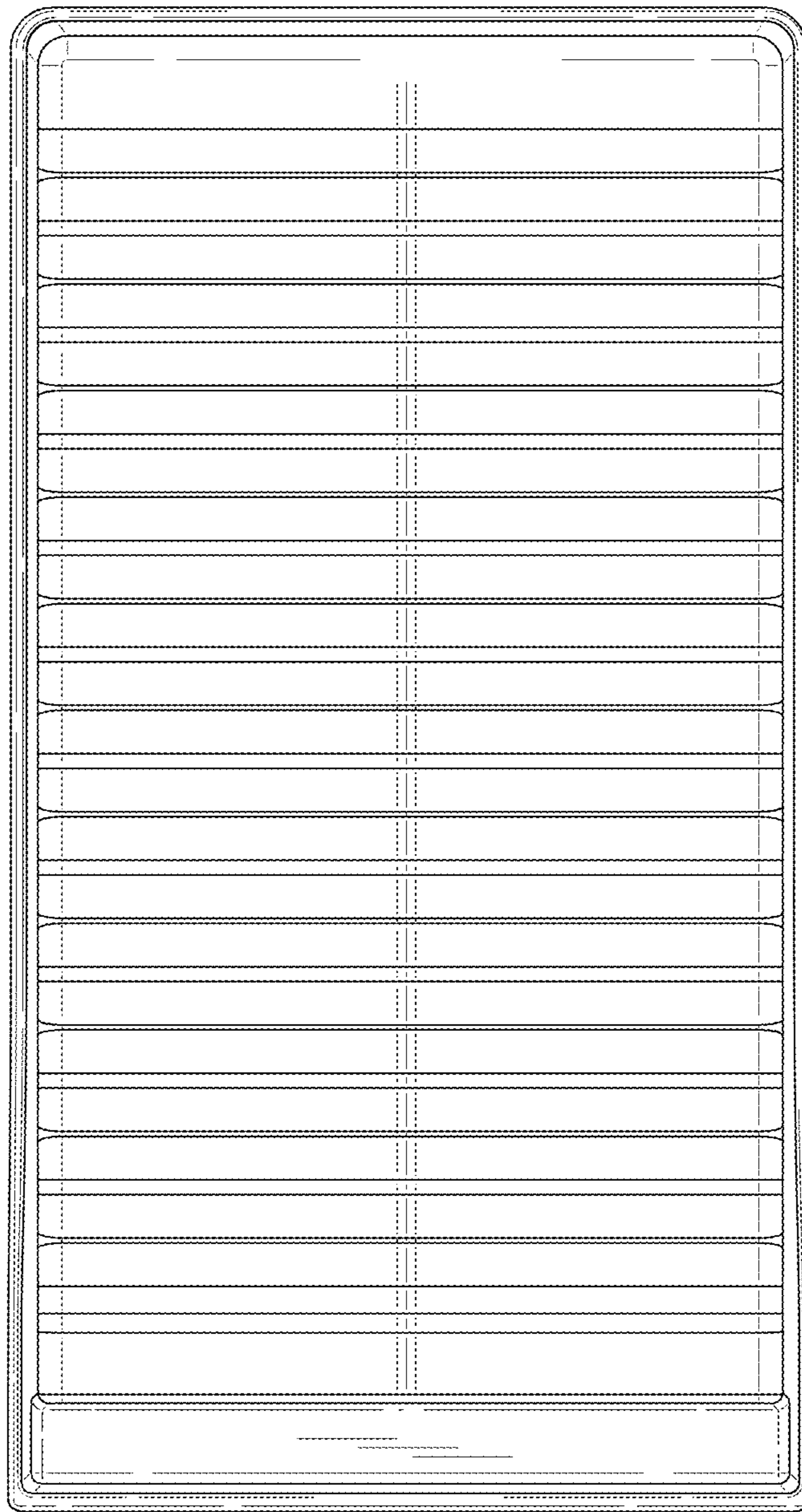


FIG. 7

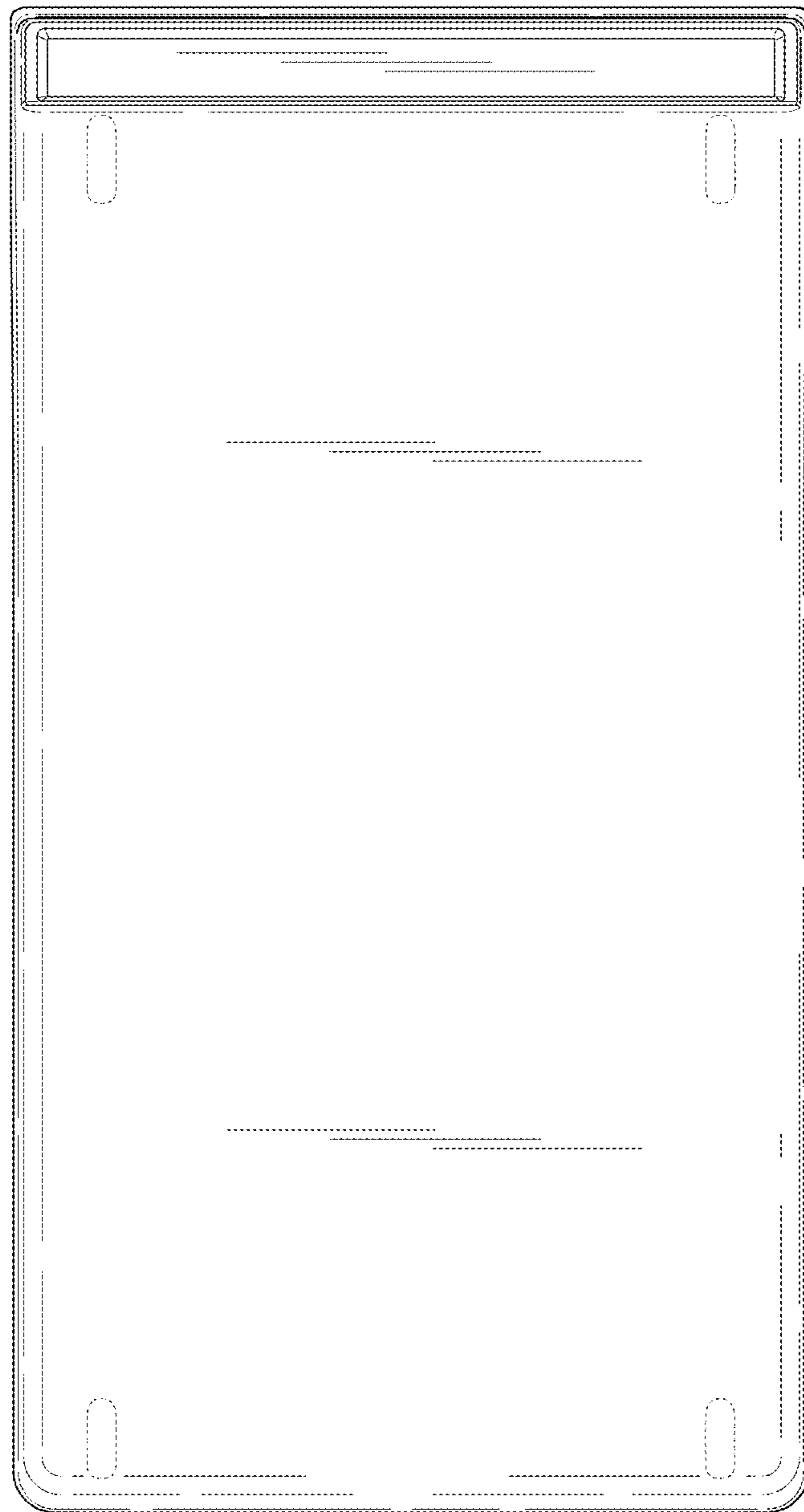


FIG. 8

