



US00D788189S

(12) **United States Design Patent**
Maeda et al.

(10) **Patent No.:** **US D788,189 S**
(45) **Date of Patent:** **** May 30, 2017**

(54) **REFRIGERATING MACHINE**
(71) Applicant: **Mitsubishi Electric Corporation,**
Tokyo (JP)
(72) Inventors: **Koichi Maeda,** Tokyo (JP); **Kenichiro Toriumi,** Tokyo (JP); **Ataru Nakamura,** Tokyo (JP); **Hajime Fujimoto,** Tokyo (JP); **Hiroshi Sata,** Tokyo (JP)
(73) Assignee: **Mitsubishi Electric Corporation,** Tokyo (JP)

6,484,364 B2 * 11/2002 Turner B65D 25/28
16/405
D584,596 S * 1/2009 Doverspike D8/354
D612,226 S * 3/2010 Dinh D8/356
D636,618 S * 4/2011 Kundinger, Jr. D6/702

(Continued)

Primary Examiner — Ian Simmons
Assistant Examiner — Khawaja Anwar
(74) *Attorney, Agent, or Firm* — Studebaker & Brackett PC

(**) Term: **14 Years**
(21) Appl. No.: **29/524,992**
(22) Filed: **Apr. 24, 2015**

(57) **CLAIM**

The ornamental design for refrigerating machine, as shown and described.

(30) **Foreign Application Priority Data**

Jan. 15, 2015 (JP) 2015-000548
Jan. 15, 2015 (JP) 2015-000550
Jan. 15, 2015 (JP) 2015-000551
Jan. 15, 2015 (JP) 2015-000552

DESCRIPTION

(51) **LOC (10) Cl.** **15-07**
(52) **U.S. Cl.**
USPC **D15/89**
(58) **Field of Classification Search**
USPC D15/79-91; D8/349, 354, 363, 366, 371,
D8/373, 380, 381, 382, 384; D32/1, 5-6,
D32/8, 10, 25
CPC .. F25D 23/028; F25D 23/062; F25D 2500/06;
F25D 2600/00; F25D 2700/02; F25D
2700/06; F25D 2700/08; A47F 3/0434;
A47F 11/10; A47F 3/001; A47F 3/043
See application file for complete search history.

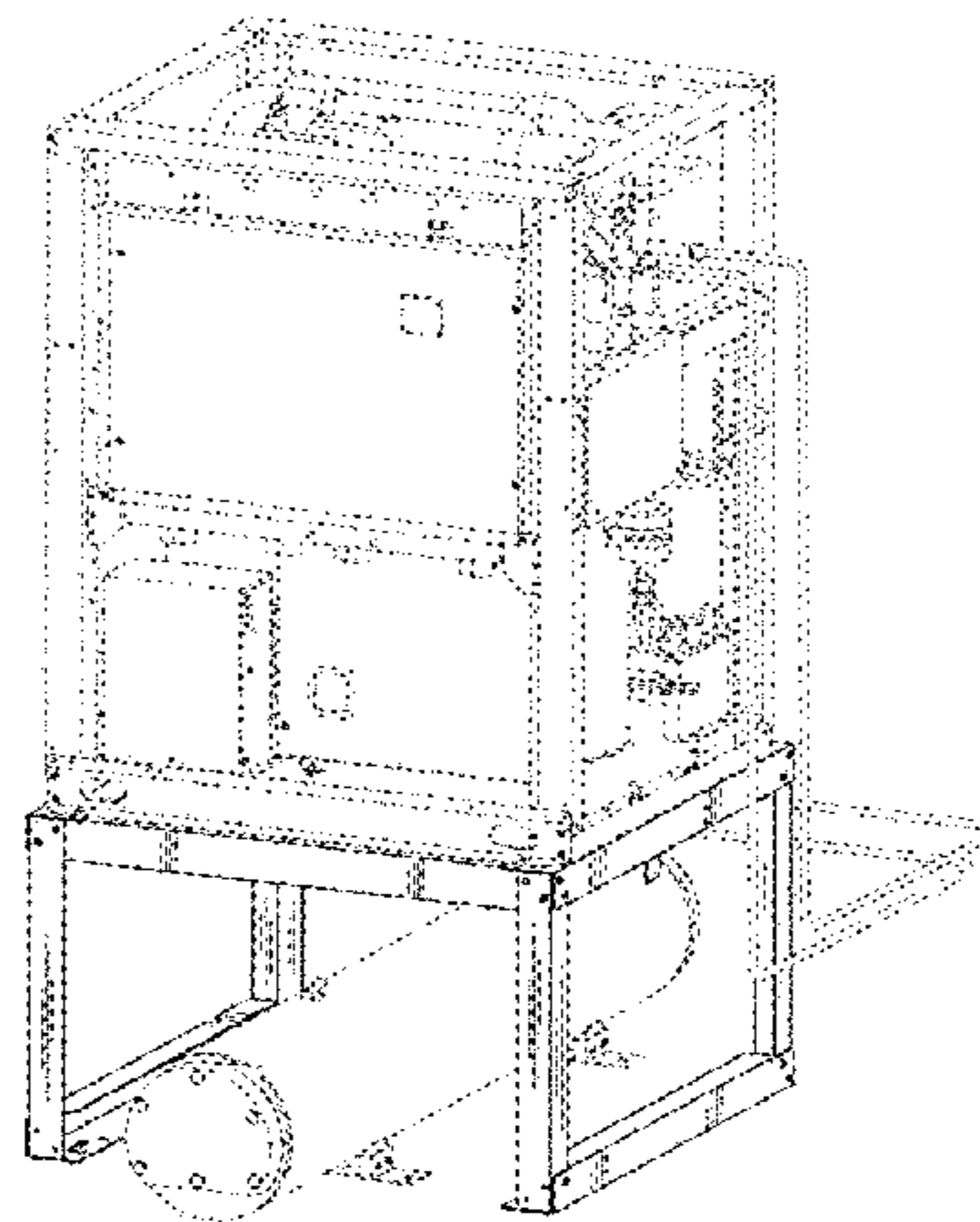
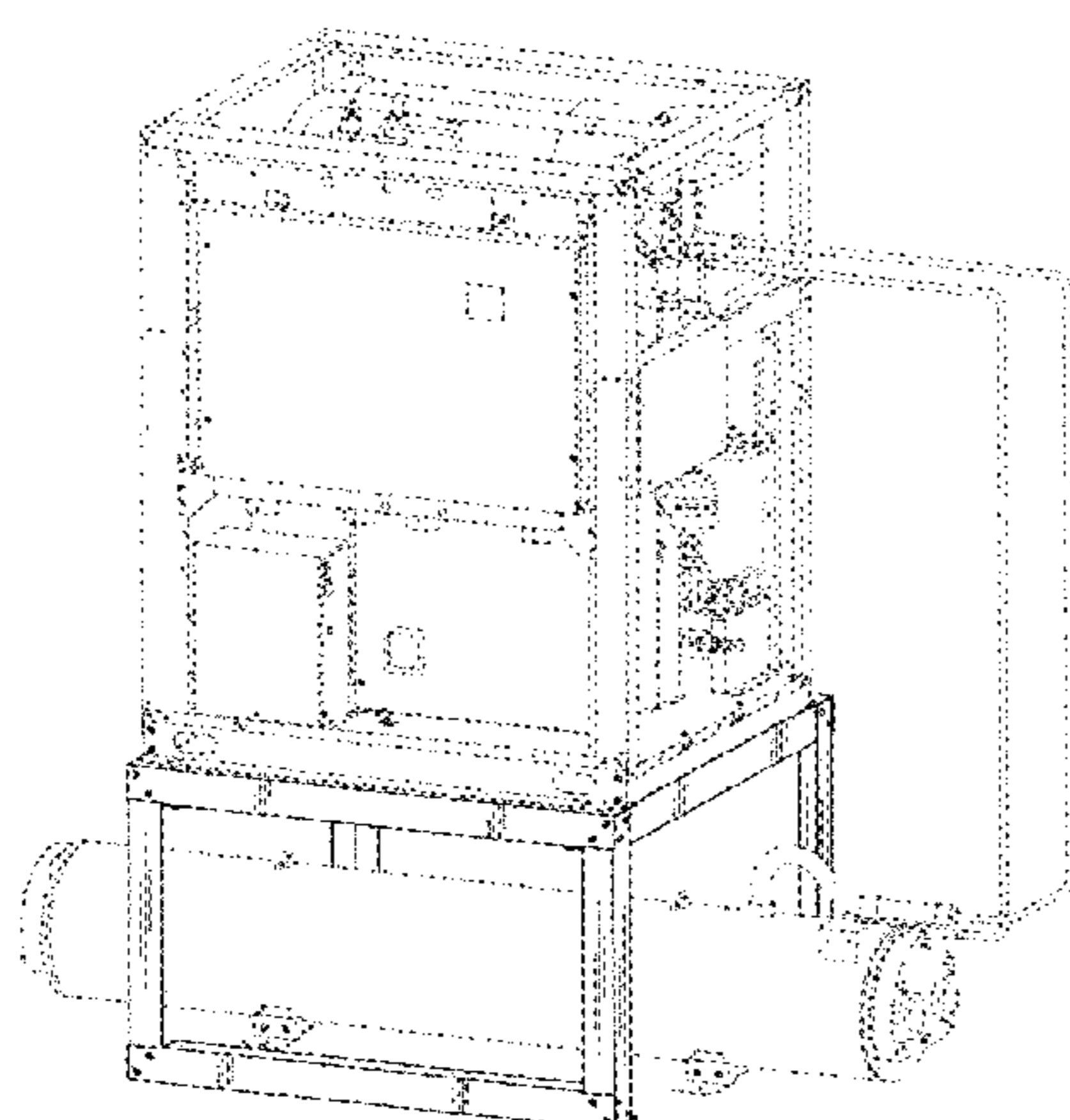
FIG. 1 is a perspective view of the front, right, and top sides of a first embodiment of a refrigerating machine showing our design;
FIG. 2 is a front view thereof;
FIG. 3 is a rear view thereof;
FIG. 4 is a left side view thereof;
FIG. 5 is a right side view thereof;
FIG. 6 is a top view thereof;
FIG. 7 is a bottom view thereof;
FIG. 8 is a perspective view of the front, right, and top sides of a second embodiment of a refrigerating machine showing our design;
FIG. 9 is a front view thereof;
FIG. 10 is a rear view thereof;
FIG. 11 is a left side view thereof;
FIG. 12 is a right side view thereof;
FIG. 13 is a top view thereof; and,
FIG. 14 is a bottom view thereof.

The broken lines in the drawings represent unclaimed environment only and form no part of the claimed design.

(56) **References Cited**
U.S. PATENT DOCUMENTS

2,077,348 A * 4/1937 Gaston F25B 39/024
62/520
2,109,986 A * 3/1938 Atchison F25B 39/024
62/520

1 Claim, 14 Drawing Sheets



(56)

References Cited

U.S. PATENT DOCUMENTS

D645,623	S	*	9/2011	Helot	D32/25
D667,718	S	*	9/2012	Preda	D8/354
D681,072	S	*	4/2013	Sata	D15/79
D681,076	S	*	4/2013	Sata	D15/91

* cited by examiner

Fig. 1

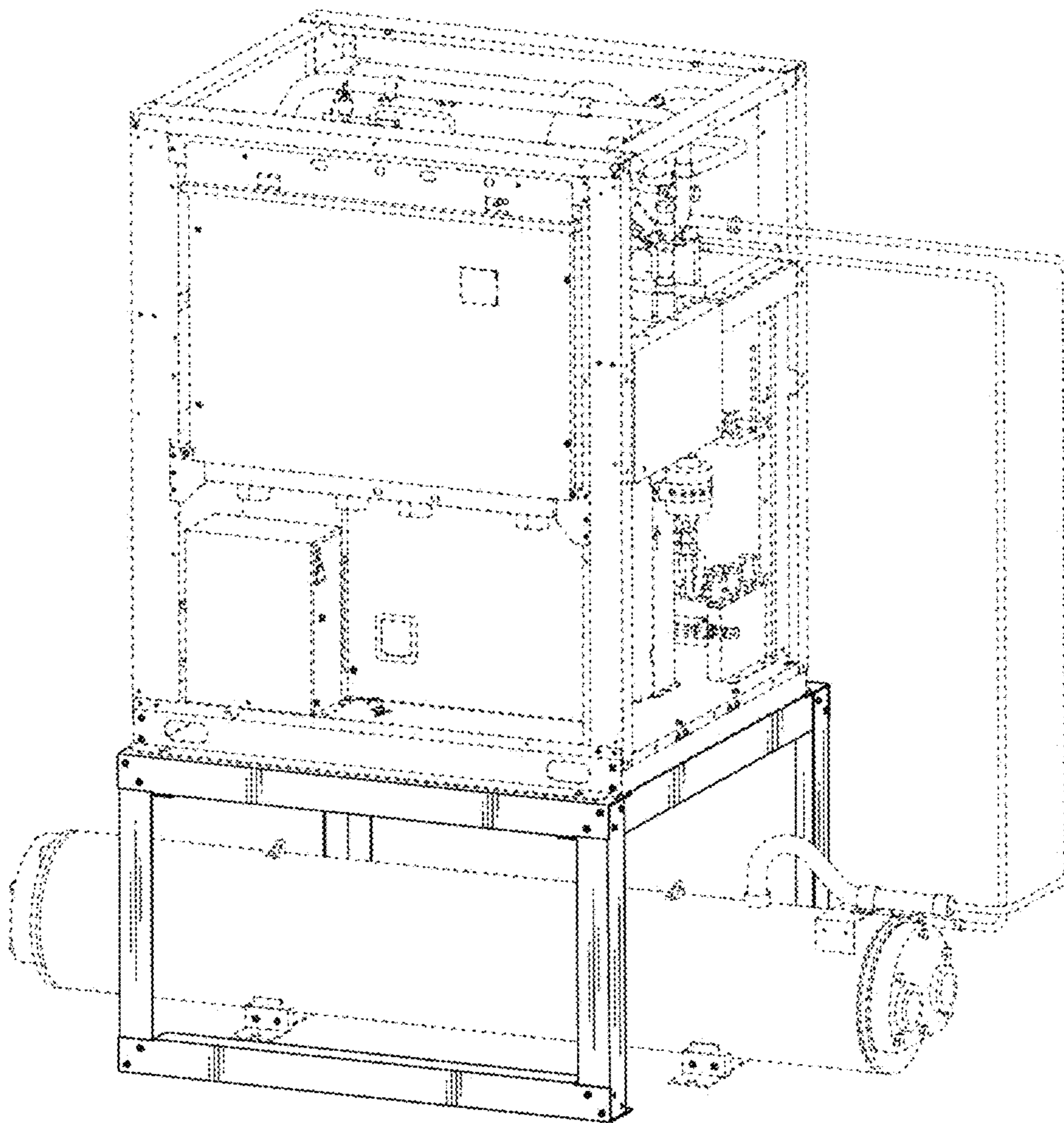


Fig. 2

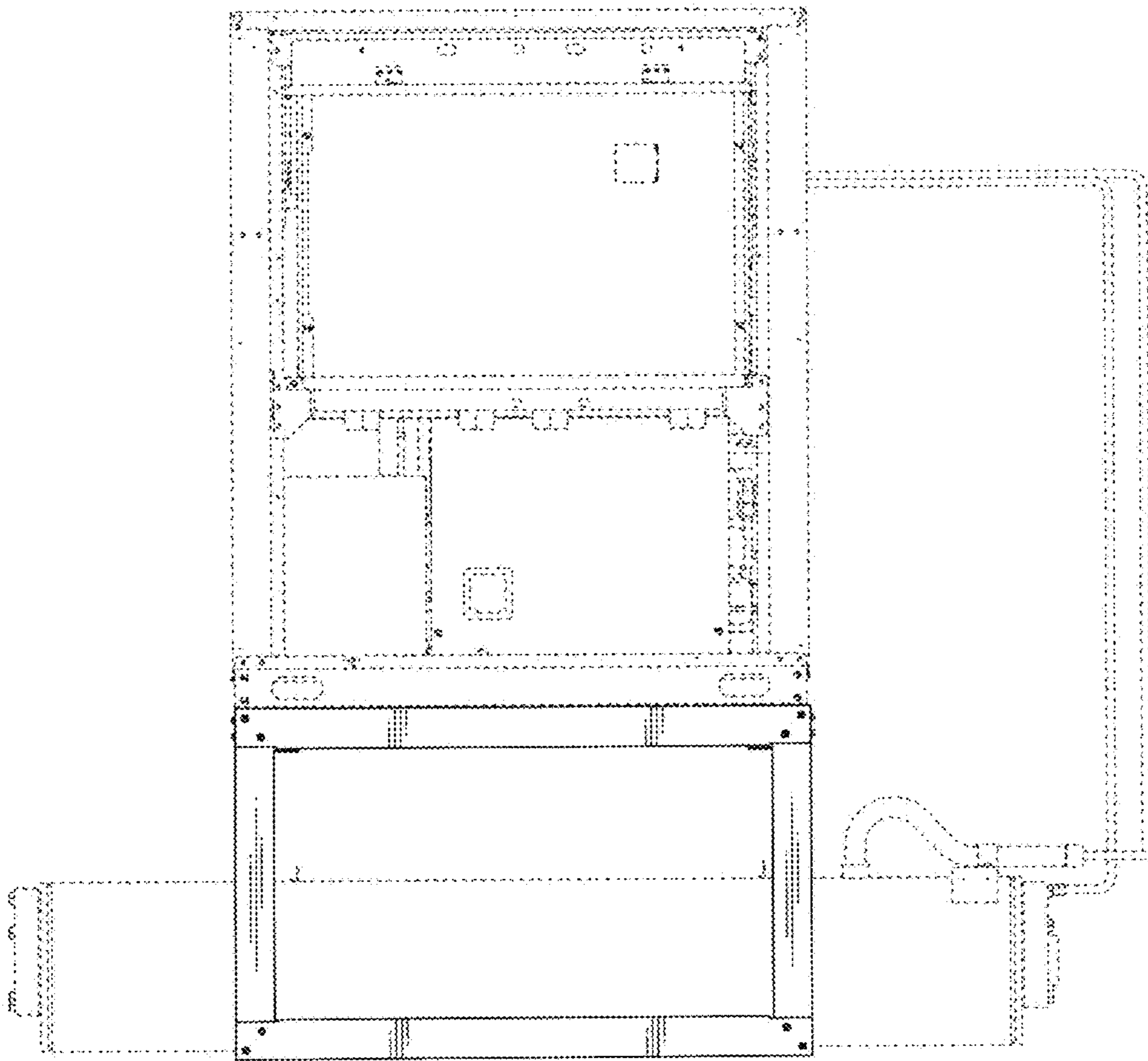


Fig. 3

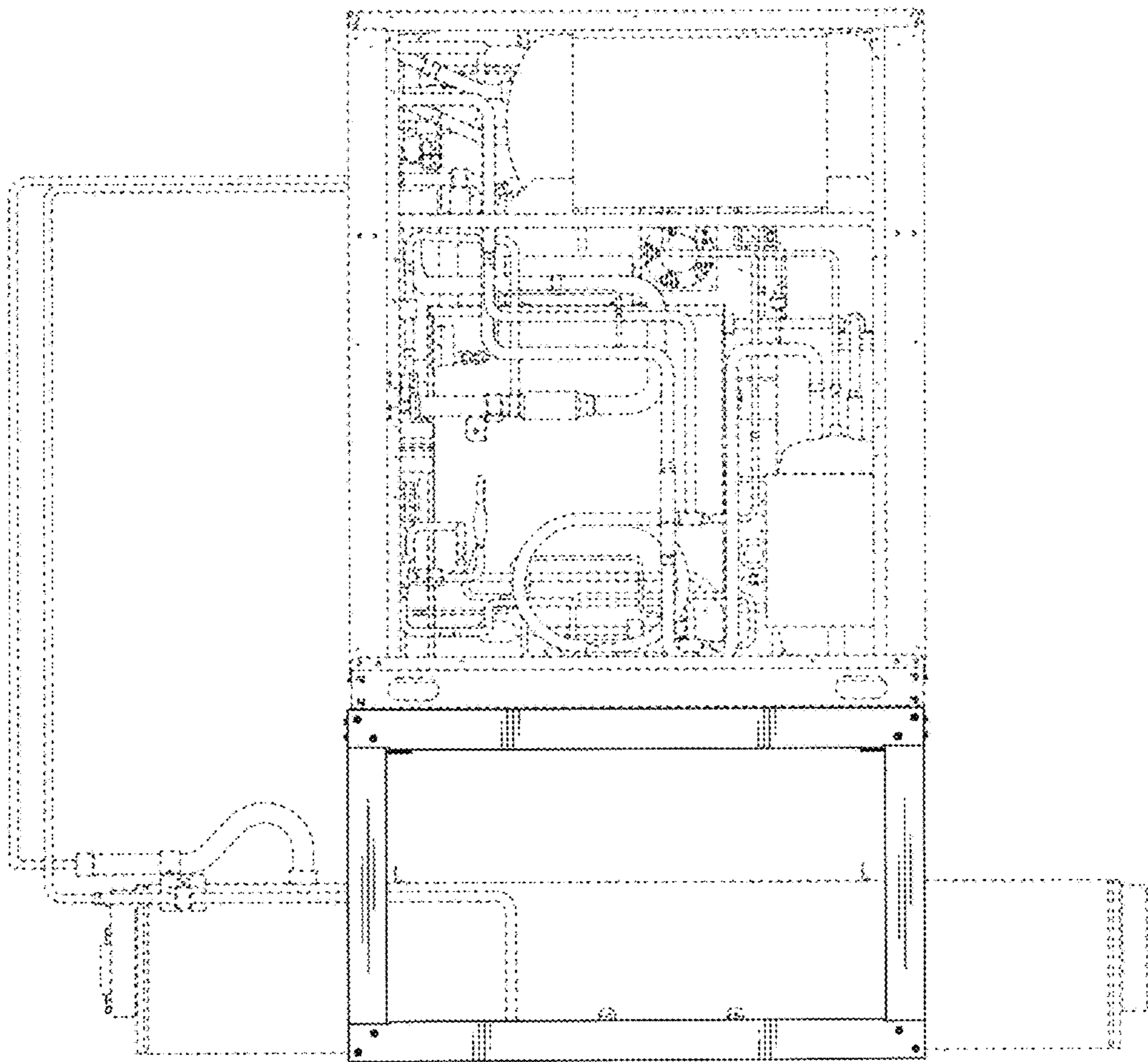


Fig. 4

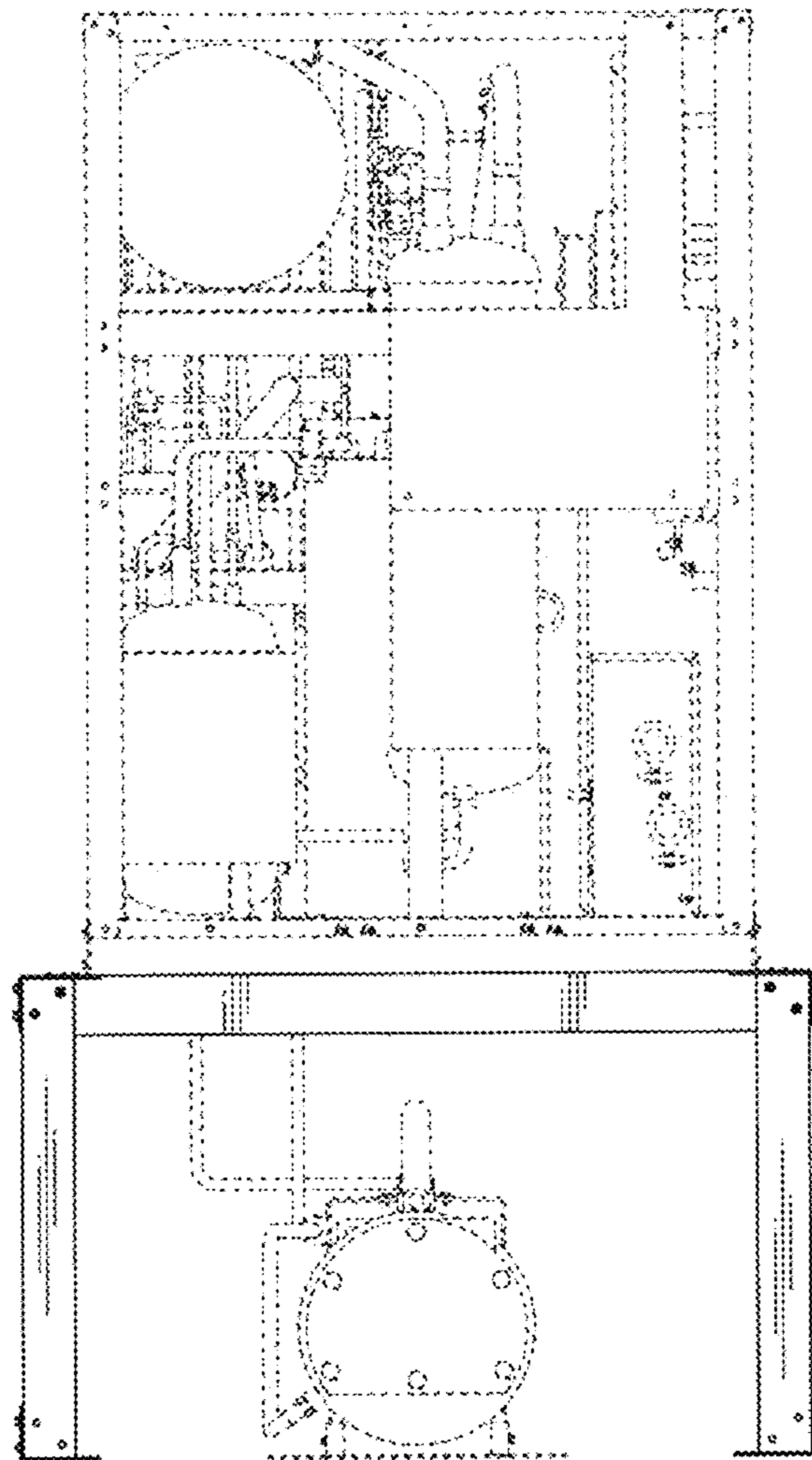


Fig. 5

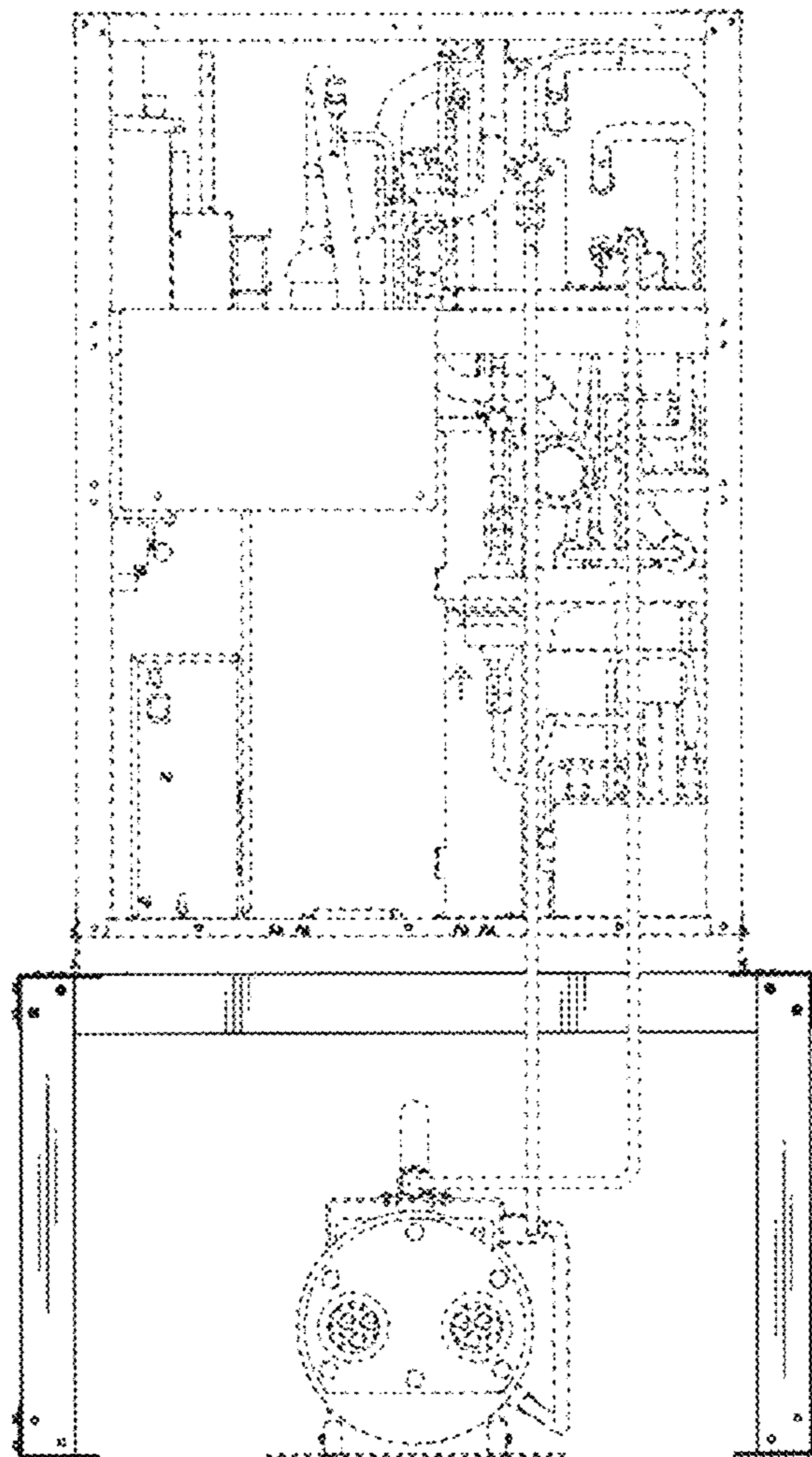


Fig. 6

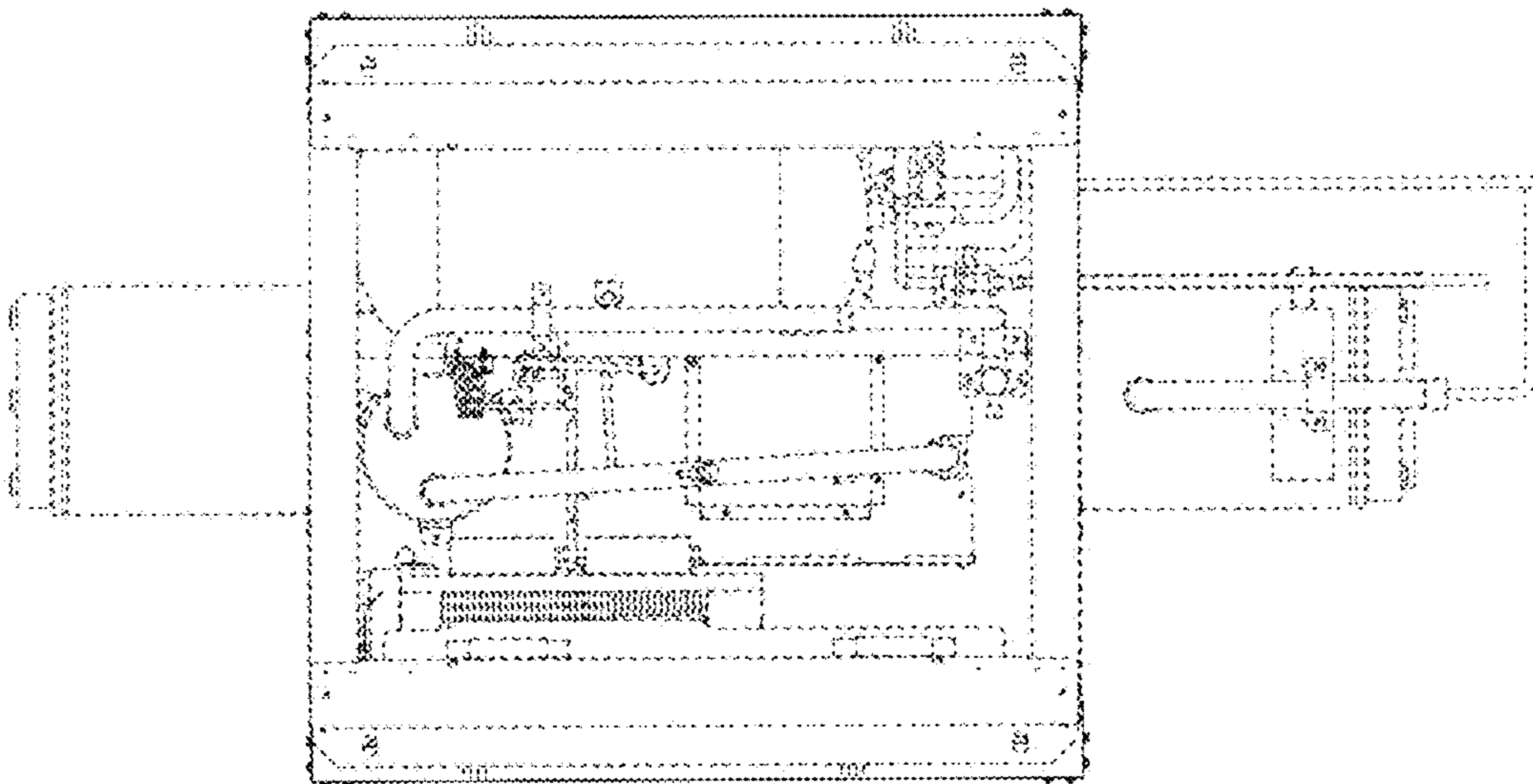


Fig. 7

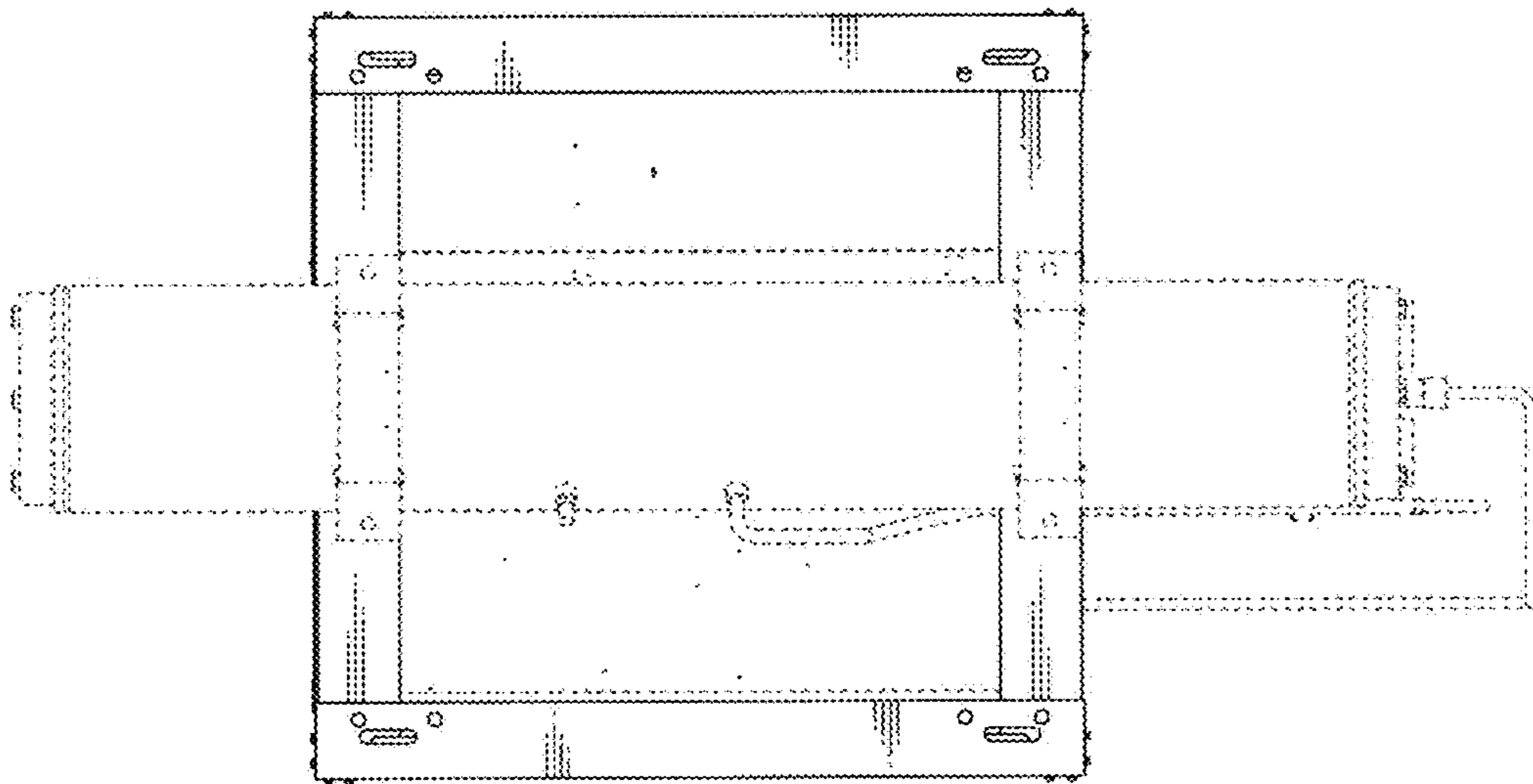


Fig. 8

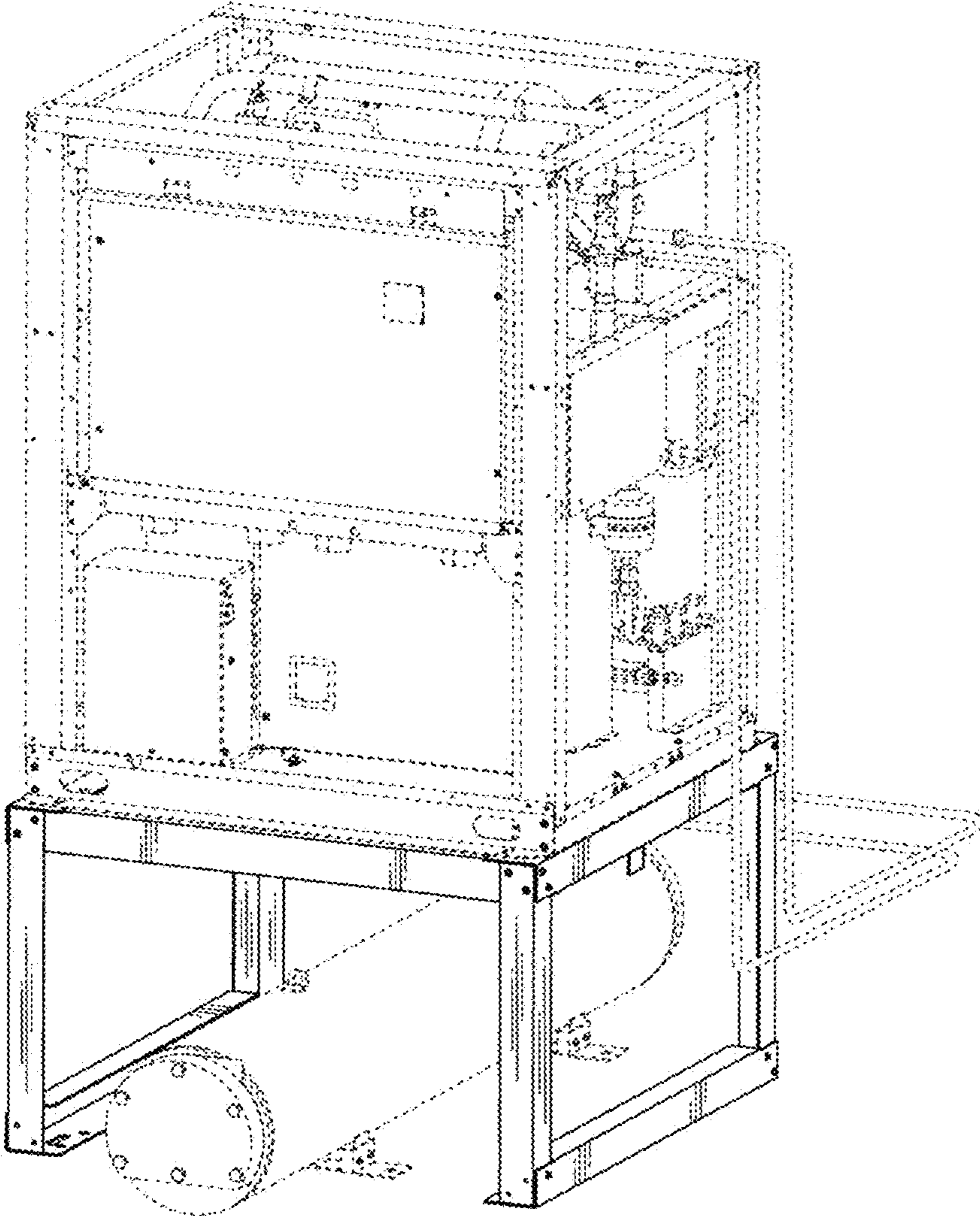


Fig. 9

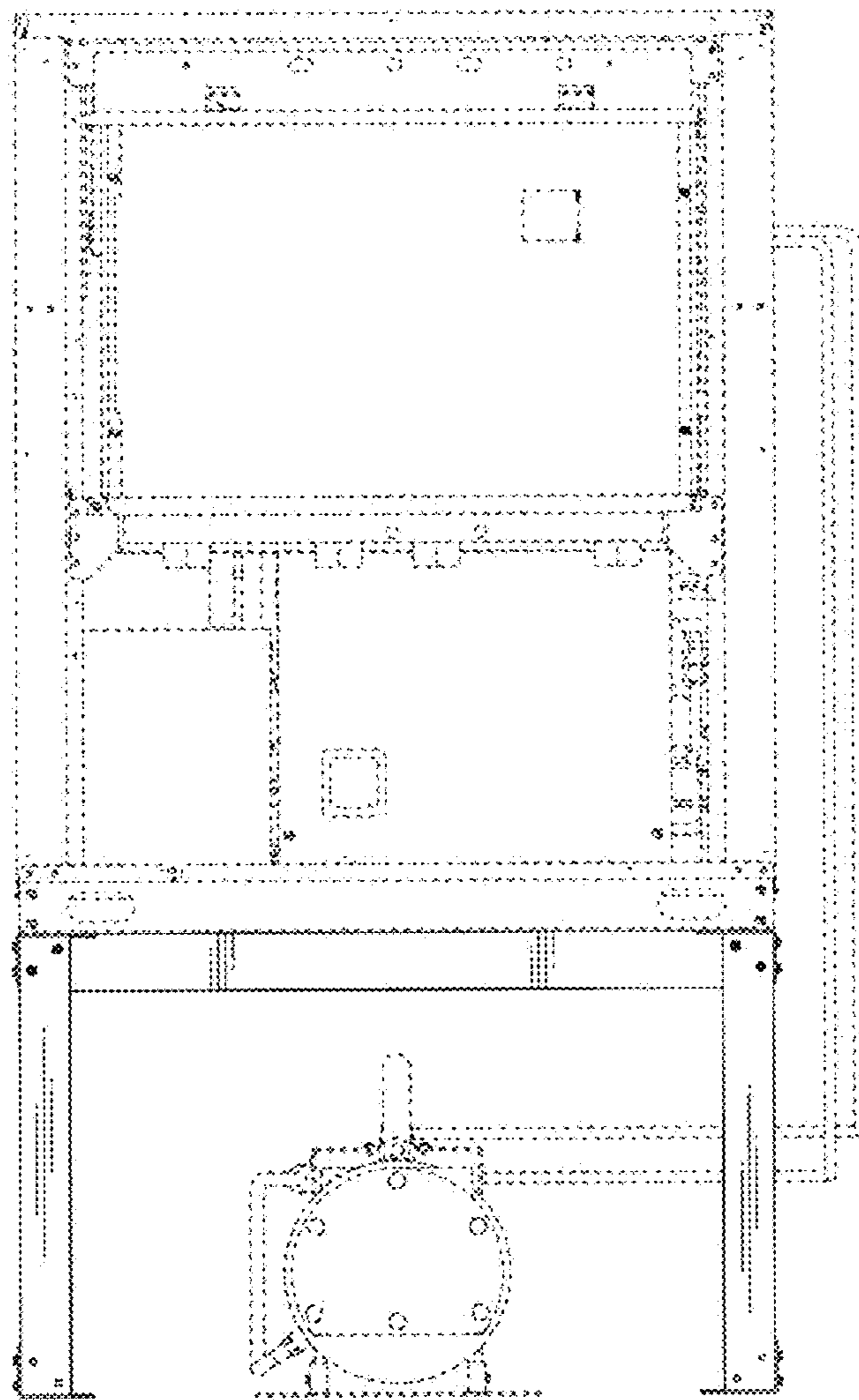


Fig. 10

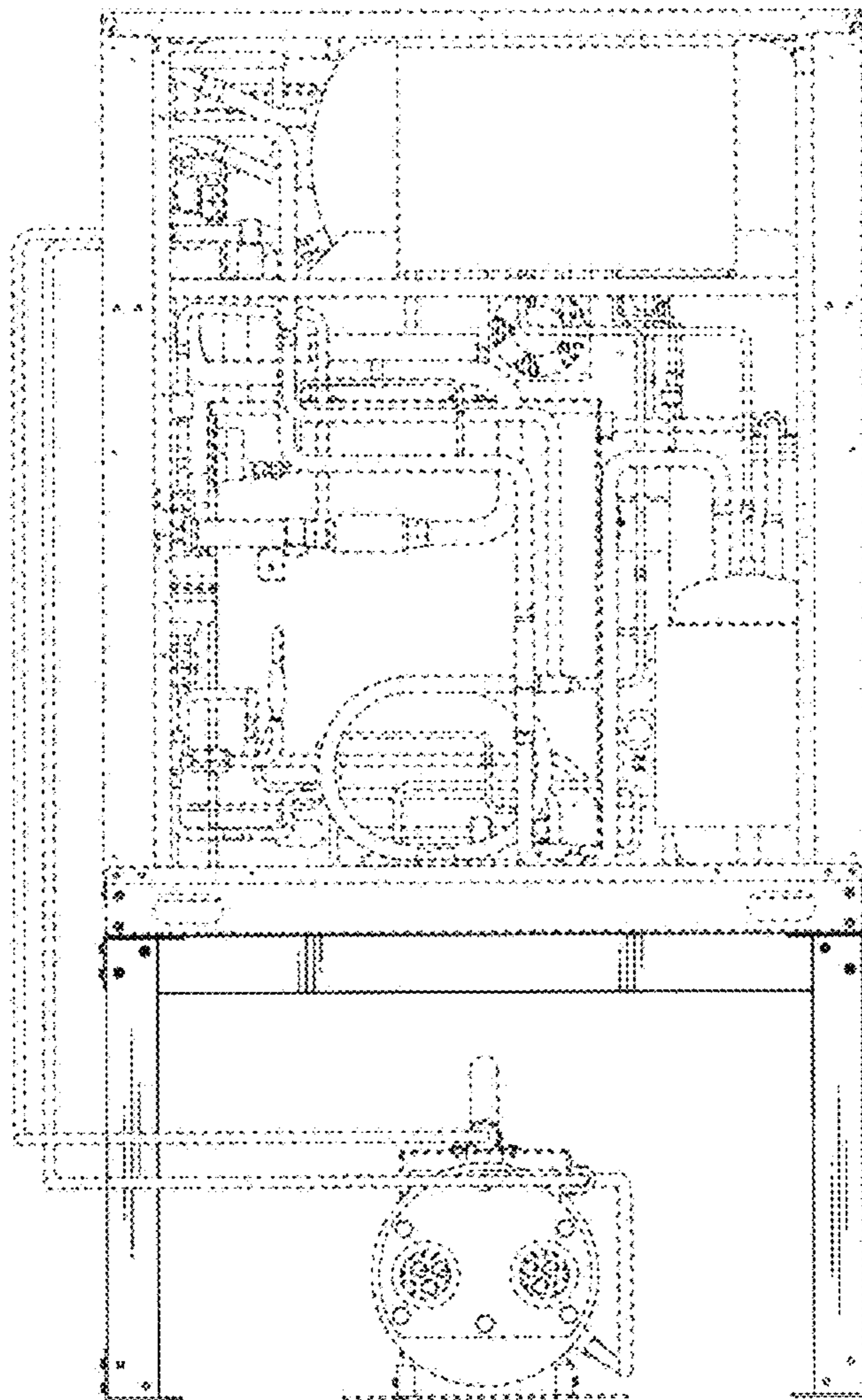


Fig. 11

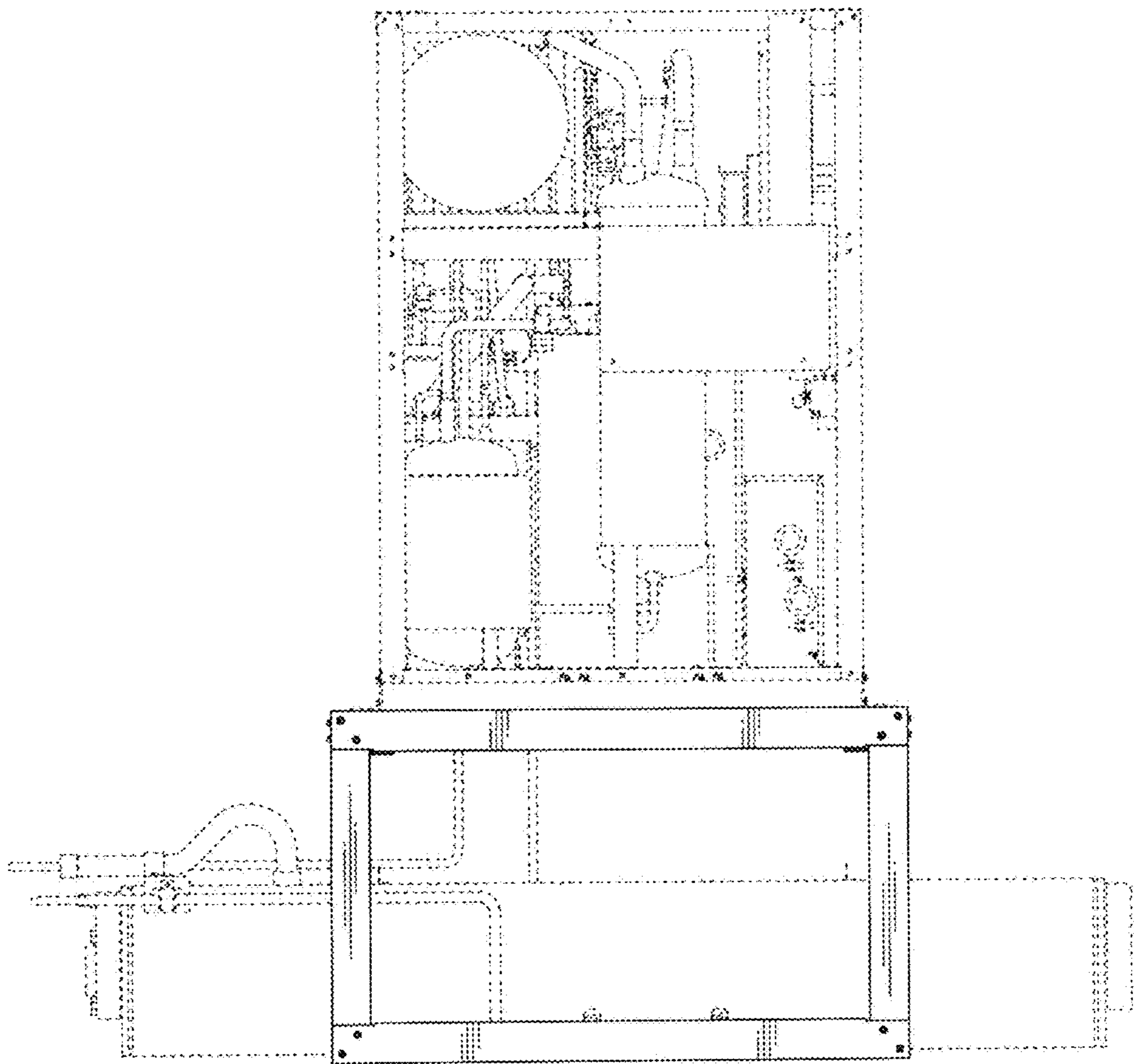


Fig. 12

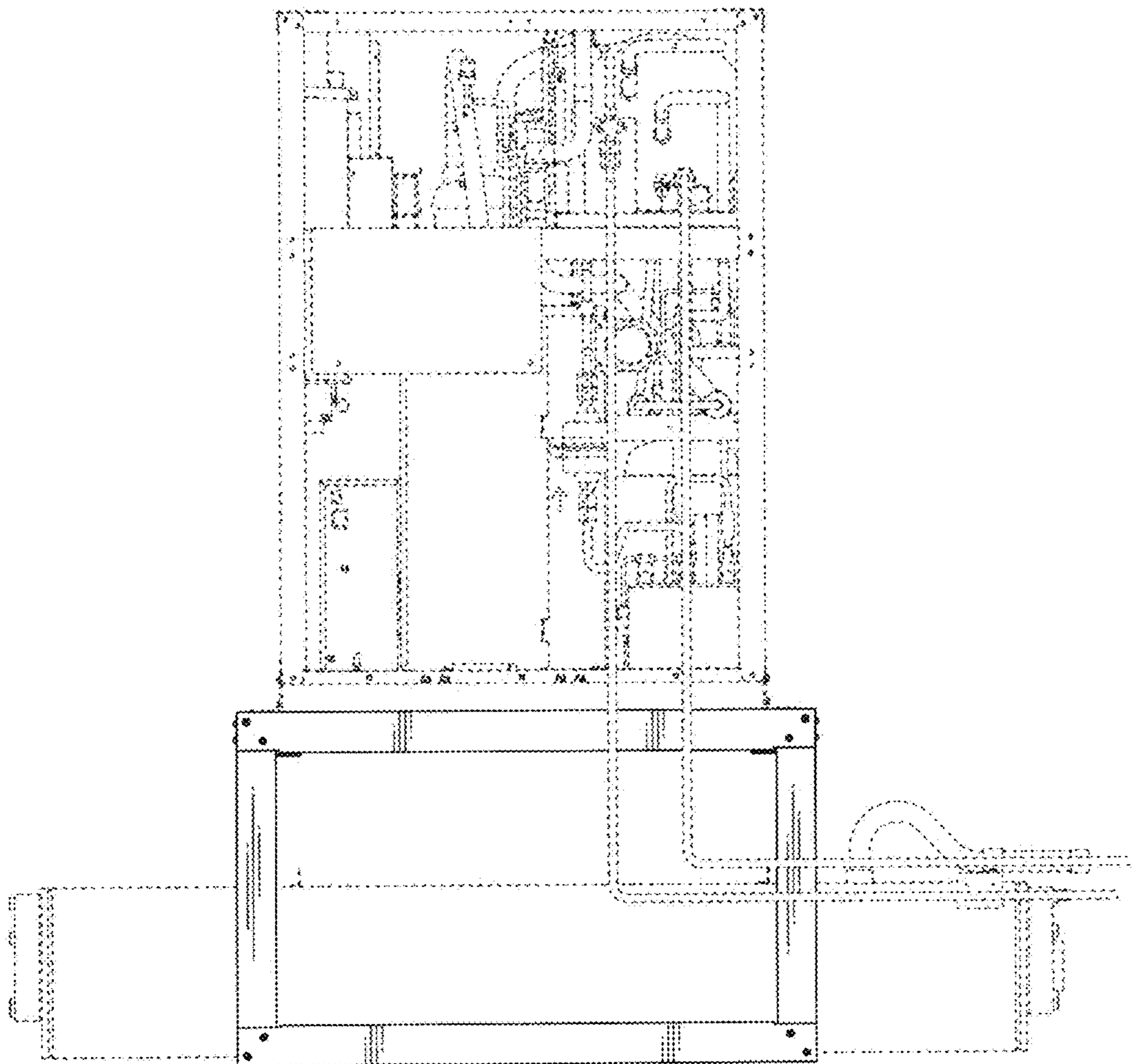


Fig. 13

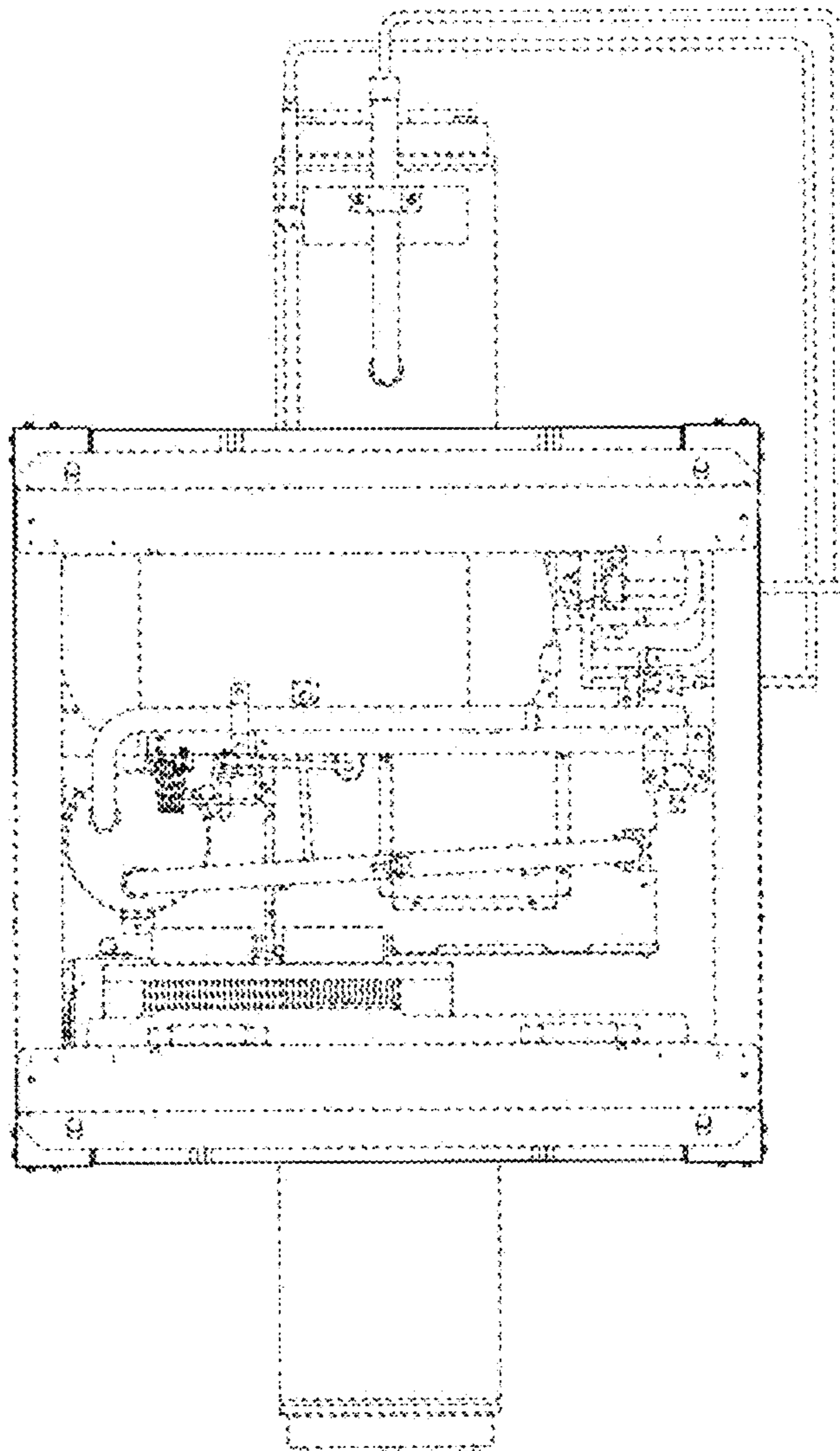


Fig. 14

