



US00D788188S

(12) **United States Design Patent**
Seo et al.

(10) **Patent No.:** **US D788,188 S**

(45) **Date of Patent:** **** May 30, 2017**

(54) **REFRIGERATOR**

(71) Applicant: **LG ELECTRONICS INC.**, Seoul (KR)

(72) Inventors: **Woonkyu Seo**, Seoul (KR); **Kyungsoo Park**, Seoul (KR); **Seonil Yu**, Seoul (KR); **Jaeyoung Kim**, Seoul (KR); **Hyein Yang**, Seoul (KR); **Jihyun Lee**, Seoul (KR)

(73) Assignee: **LG ELECTRONICS INC.**, Seoul (KR)

(**) Term: **15 Years**

(21) Appl. No.: **29/549,783**

(22) Filed: **Dec. 28, 2015**

(30) **Foreign Application Priority Data**

Aug. 27, 2015 (KR) 30-2015-0043244

(51) **LOC (10) Cl.** **15-07**

(52) **U.S. Cl.**
USPC **D15/86**

(58) **Field of Classification Search**
USPC D15/79, 80, 81, 82, 83, 84, 85, 86, 87, D15/88, 89, 90, 91
CPC F25D 23/00; F25D 2323/021; F25D 11/00; F25D 2323/024; F25D 23/04; F25D 25/024; F25D 27/005; F25D 23/12; F25D 29/005; F25D 17/042; F25D 2325/021
See application file for complete search history.

(56) **References Cited**

U.S. PATENT DOCUMENTS

D508,059 S * 8/2005 Seok D15/86
D518,077 S * 3/2006 Lee D15/91
D562,362 S * 2/2008 Bissig D15/91
D630,232 S * 1/2011 Seo D15/85

D689,104 S * 9/2013 Yang D15/91
D706,315 S * 6/2014 Seo D15/89
D707,734 S * 6/2014 Seo D15/86
D709,925 S * 7/2014 Seo D15/89
D714,361 S * 9/2014 Seo D15/86
D718,350 S * 11/2014 Jeon D15/86
D726,233 S * 4/2015 Cho D15/86
D762,249 S * 7/2016 Kim D15/86
D763,329 S * 8/2016 Seo D15/89
D766,344 S * 9/2016 Kim D15/86
D767,648 S * 9/2016 Shoemaker D15/86
2010/0138073 A1* 6/2010 Tarr G05D 23/19
700/299

(Continued)

OTHER PUBLICATIONS

<http://www.lg.com/us/refrigerators/lg-LFXS32766S-french-3-door-refrigerator>—Retrieved Oct. 22, 2016.*

(Continued)

Primary Examiner — Ian Simmons
Assistant Examiner — Mojtaba Tehrani
(74) *Attorney, Agent, or Firm* — Dentons US LLP

(57) **CLAIM**

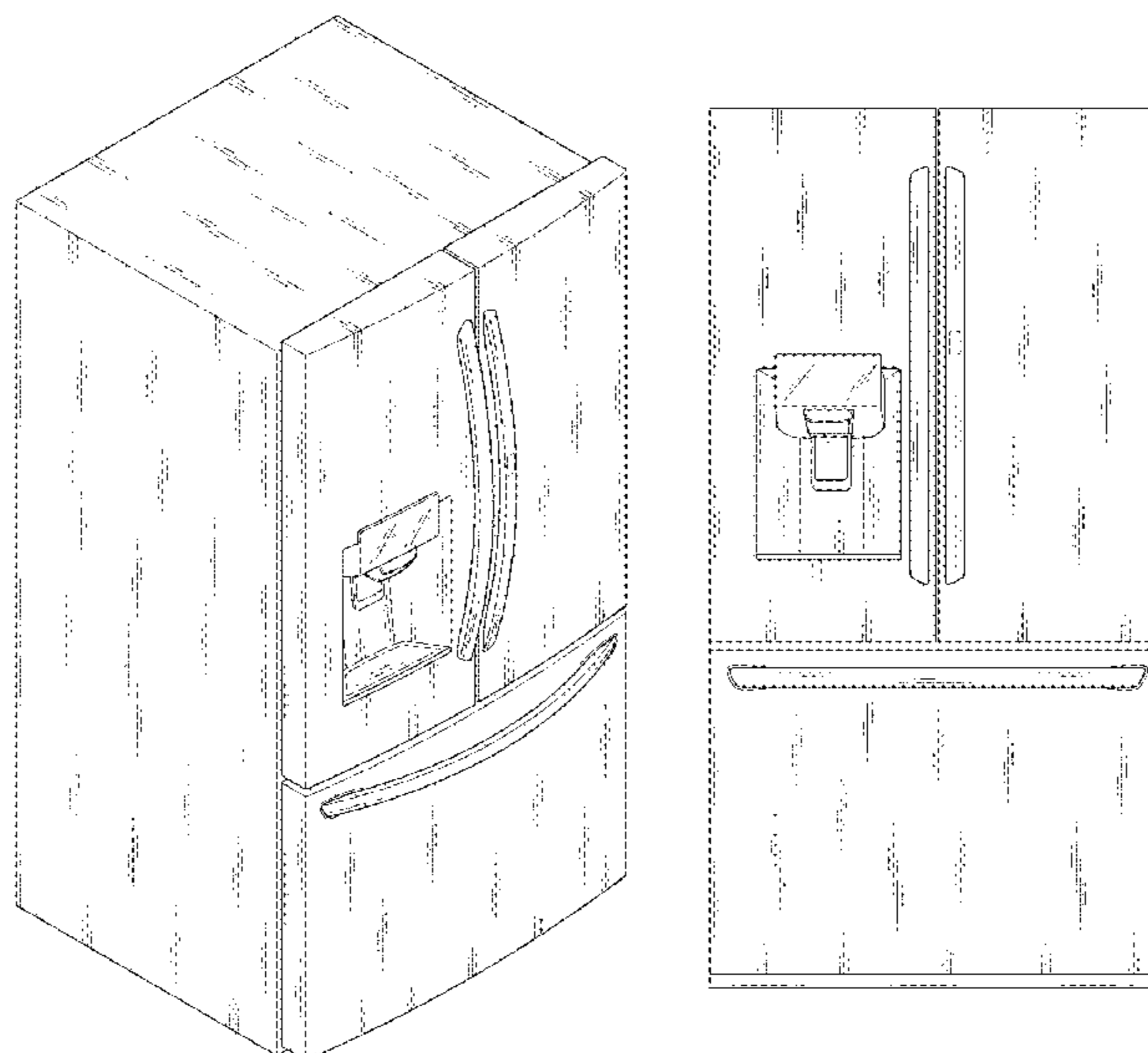
We claim the ornamental design for a refrigerator, as shown and described.

DESCRIPTION

FIG. 1 is a perspective view of a refrigerator showing our new design;
FIG. 2 is a front elevation view thereof;
FIG. 3 is a rear elevation view thereof;
FIG. 4 is a left-side elevation view thereof;
FIG. 5 is a right-side elevation view thereof;
FIG. 6 is a top plan view thereof; and,
FIG. 7 is a bottom plan view thereof.

The broken lines represent unclaimed portions of the refrigerator and form no part of the claimed design.

1 Claim, 6 Drawing Sheets



(56)

References Cited

U.S. PATENT DOCUMENTS

2010/0242526 A1* 9/2010 Junge F25C 5/005
62/449
2010/0326096 A1* 12/2010 Junge F25C 5/005
62/82
2014/0117830 A1* 5/2014 Lee F25D 25/025
312/402

OTHER PUBLICATIONS

<http://www.lg.com/us/refrigerators/lg-LSFXC2476S>—Retrieved
Oct. 22, 2016.*

* cited by examiner

FIG. 1

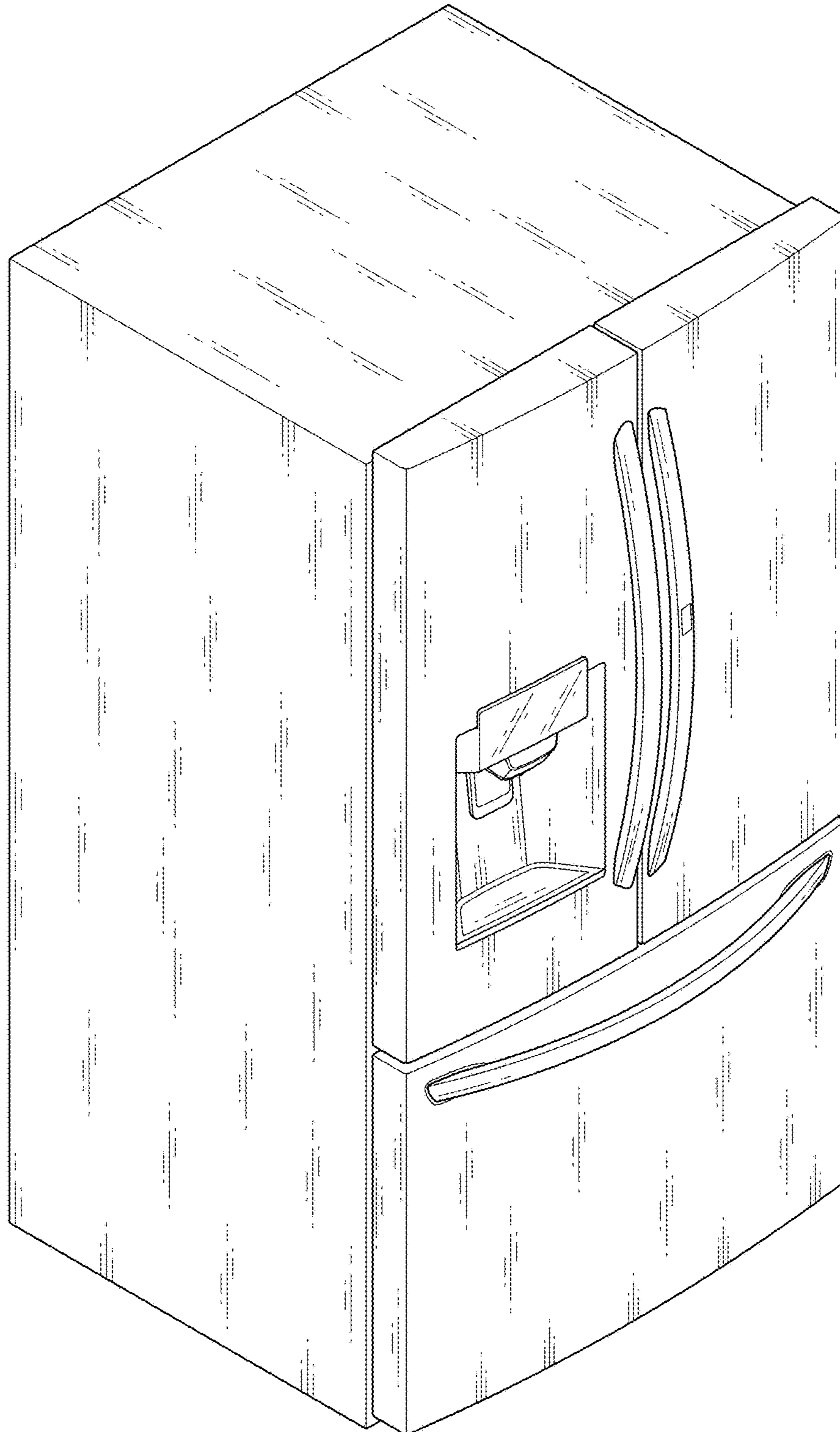


FIG. 2

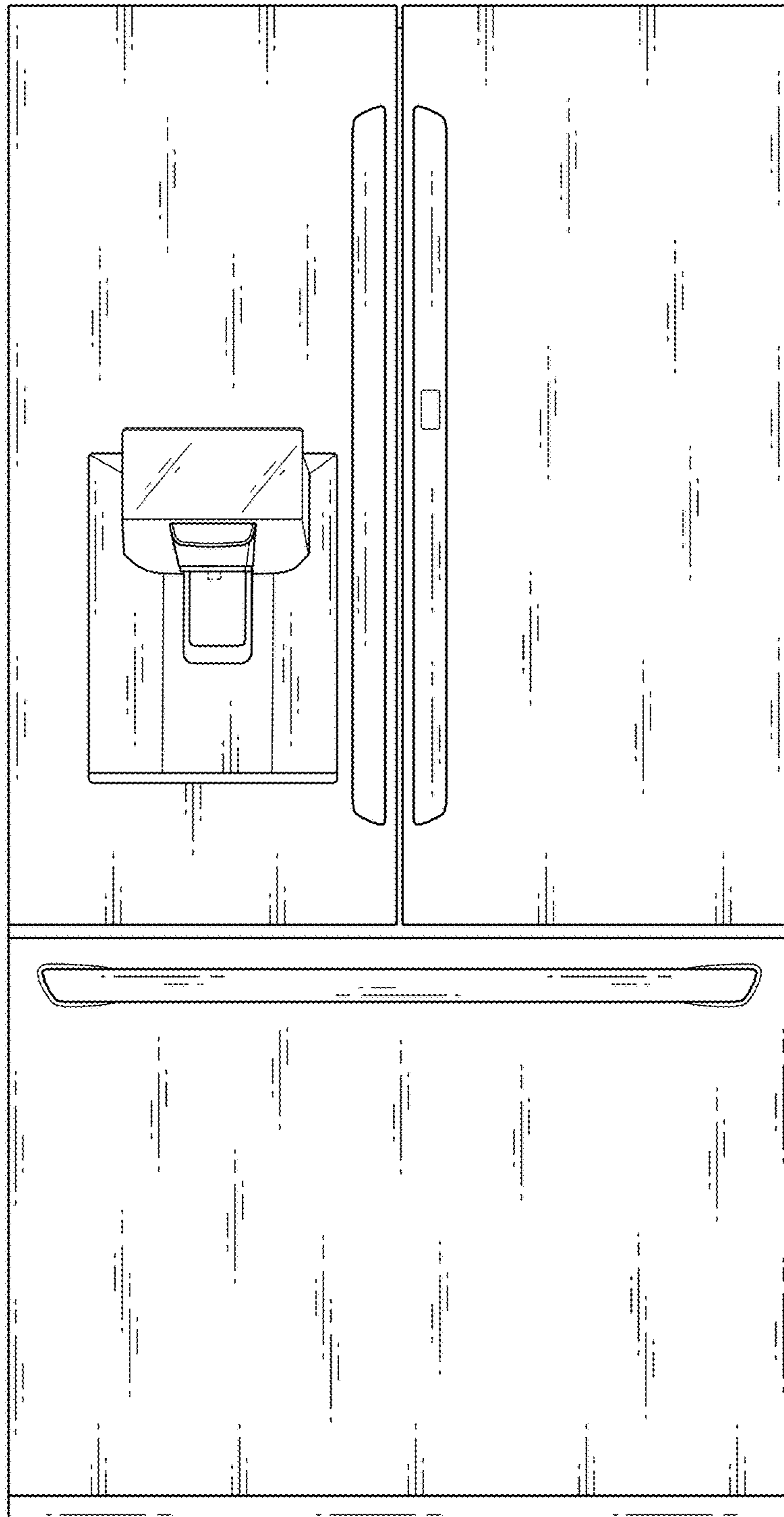


FIG. 3



FIG. 4

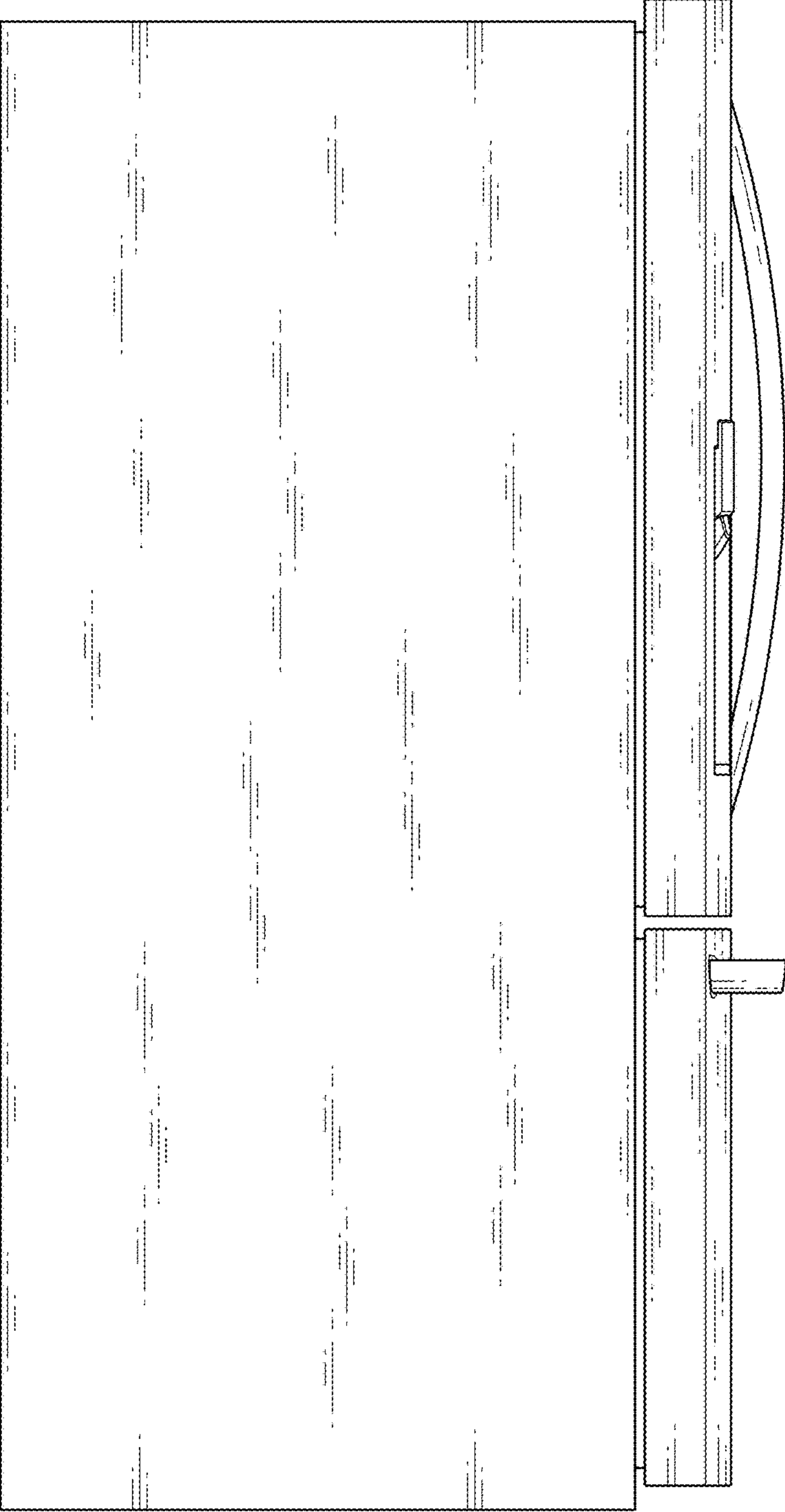


FIG. 5

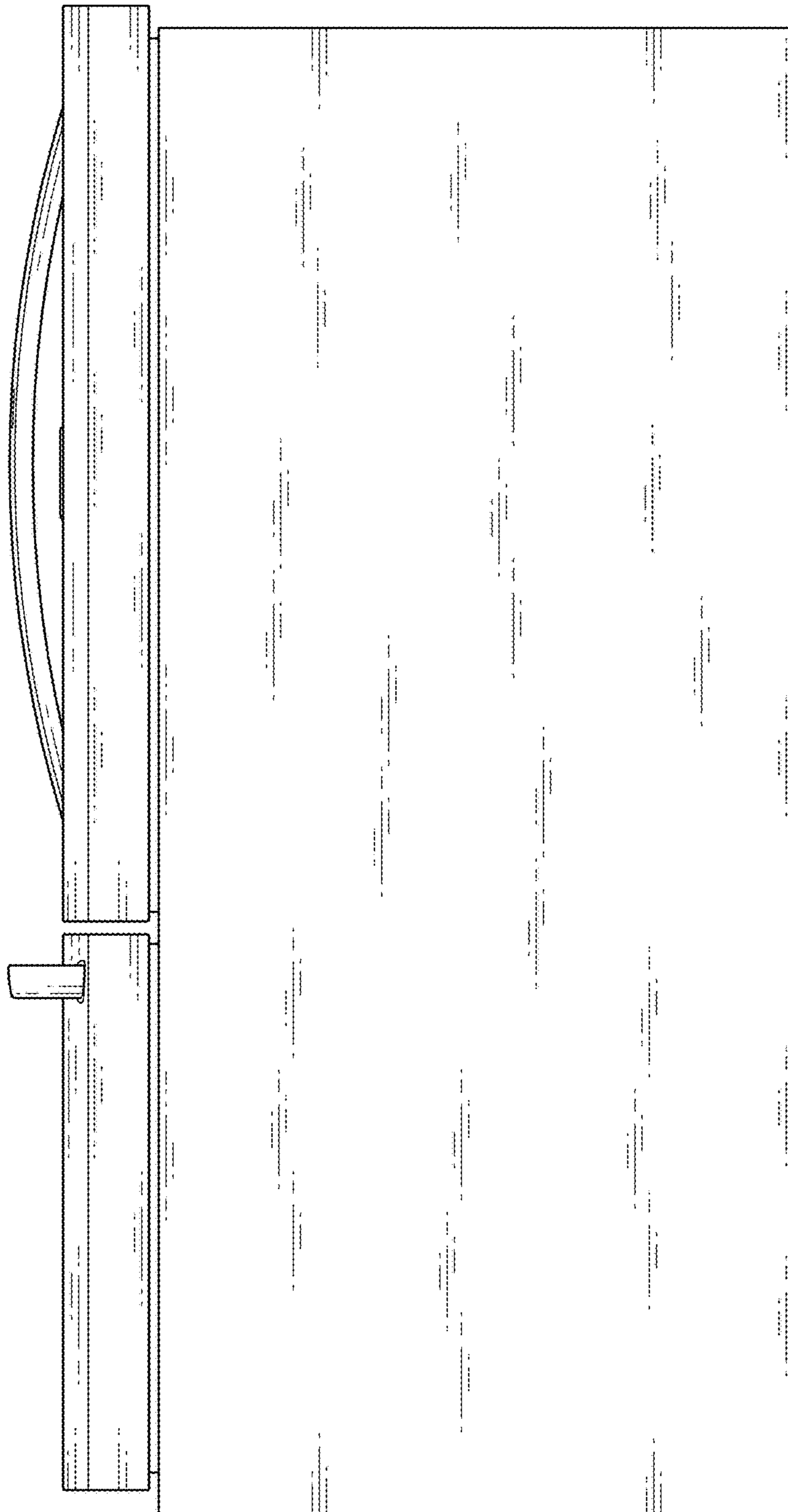


FIG. 6

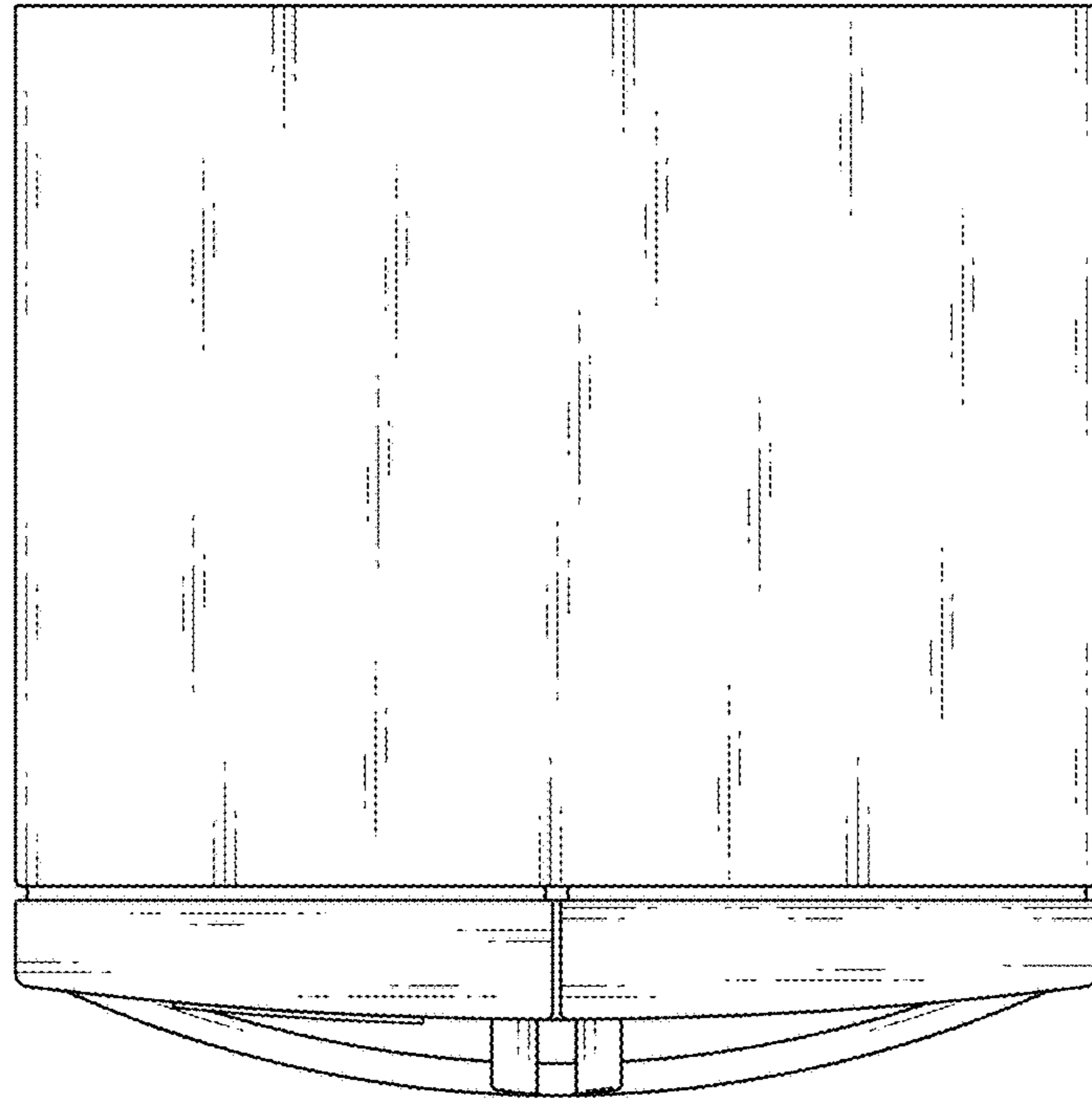


FIG. 7

