



US00D788186S

(12) **United States Design Patent** (10) **Patent No.:** **US D788,186 S**
Lee (45) **Date of Patent:** **** May 30, 2017**

(54) **COOLER WITH DETACHABLE LEGS**

(71) Applicant: **JBL INTERNATIONAL, INC.**,
Houston, TX (US)

(72) Inventor: **Lawrence K. Lee**, Houston, TX (US)

(73) Assignee: **JBL INTERNATIONAL, INC.**,
Houston, TX (US)

(**) Term: **15 Years**

(21) Appl. No.: **29/557,924**

(22) Filed: **Mar. 14, 2016**

(51) **LOC (10) Cl.** **15-07**

(52) **U.S. Cl.**
USPC **D15/79**

(58) **Field of Classification Search**
USPC D15/79-91; D6/691, 691.8, 691.9, 663,
D6/655, 656

CPC A47B 9/00; A47B 13/081; A47B 3/0912;
A47B 9/20; A47B 13/023; A47B 13/083;
A47B 13/088; A47B 1/05; A47B 3/0818;
A47B 5/04; A47B 13/06; A47B 13/10;
A47B 13/12; A47B 2003/004; A47B
2003/008; A47B 2003/0821; A47B
2003/083; A47B 2013/024; A47B
2021/0335; A47B 2023/047; A47B
2031/004; A47B 2083/006; A47B 21/00;
A47B 21/02; A47B 21/03; A47B 21/06;
A47B 2200/0079; A47B 23/046; A47B
25/00; A47B 31/04; A47B 3/002; A47B
3/02; A47B 3/06; A47B 3/083; A47B
3/087; A47B 3/091; A47B 3/0913; A47B
46/00; A47B 47/0075; A47B 5/006; A47B
5/02; A47B 77/022; A47B 7/02; A47B
81/00; A47B 81/06; A47B 83/001; A47B
83/04; A47B 83/045; A47B 85/00; A47B
85/04; F25D 23/028; F25D 23/02; F25D
2400/36; F25D 27/00; F25D 11/02; F25D
2201/14; F25D 2323/021; F25D
2323/023; F25D 23/025; F25D 23/065;
F25D 2400/18; F25D 25/02; F25D

25/025; F25D 27/005; F25D 23/04; F25D
23/066; F25D 11/00; F25D 21/006; F25D
21/10; F25D 2331/803; F25D 2331/809;
F25D 23/00; F25D 23/021; F25D 23/062;
F25D 23/08; F25D 23/087; F25D 23/12;
F25D 2500/02; F25D

(Continued)

(56) **References Cited**

U.S. PATENT DOCUMENTS

D90,955 S * 10/1933 Reagan D6/657
5,944,396 A * 8/1999 Stephan A47B 88/22
312/204
D441,982 S * 5/2001 Hutton D6/657

(Continued)

Primary Examiner — Ian Simmons

Assistant Examiner — Khawaja Anwar

(74) *Attorney, Agent, or Firm* — Egbert Law Offices,
PLLC

(57) **CLAIM**

The ornamental design for a cooler with detachable legs, as shown and described.

DESCRIPTION

FIG. 1 is a perspective view of a cooler with detachable legs showing my new design.

FIG. 2 is a front view thereof;

FIG. 3 is a rear view thereof;

FIG. 4 is a side view thereof, an opposite side view being identical;

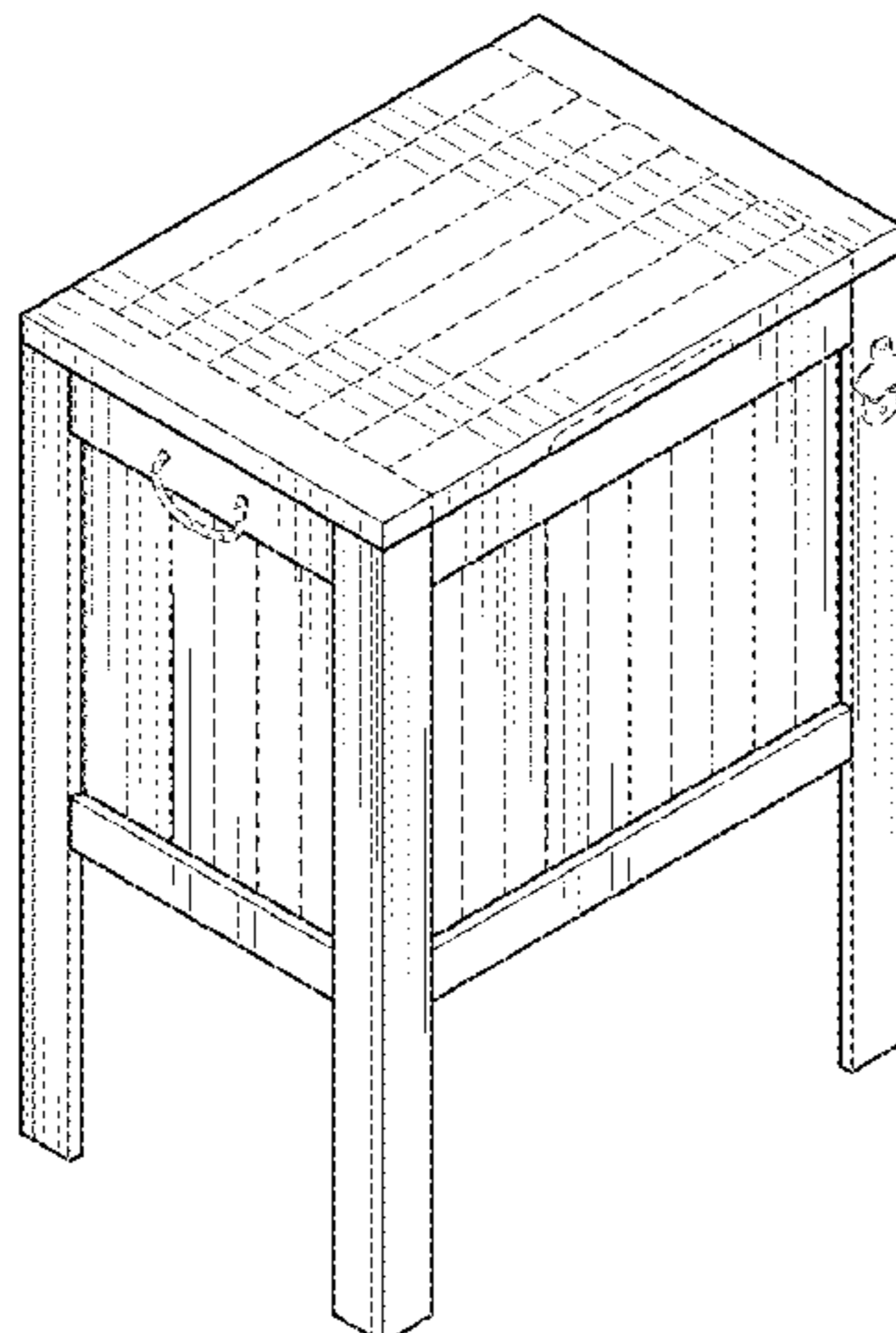
FIG. 5 is a top view thereof;

FIG. 6 is a bottom view thereof; and,

FIG. 7 is an exploded perspective view of the cooler with detachable legs wherein the legs are detached.

The features presented in broken lines represent unclaimed portions of the cooler with detachable legs and form no part of the claimed design.

1 Claim, 4 Drawing Sheets



(58) **Field of Classification Search**

CPC 25/021; F25D 25/022; F25D 25/028; F25D
29/008

See application file for complete search history.

(56) **References Cited**

U.S. PATENT DOCUMENTS

D526,338 S *	8/2006	McDougal	D15/80
D535,492 S *	1/2007	Domack	D6/691.9
D546,093 S *	7/2007	Boerner	D6/671.1
D563,117 S *	3/2008	Mayer	D23/286
D646,507 S *	10/2011	Delmestri	D6/691.8
D690,742 S *	10/2013	Sussman	D15/81
D702,265 S *	4/2014	Iovanel	D15/85
D702,267 S *	4/2014	Iovanel	D15/86
D712,439 S *	9/2014	Iovanel	D15/86
D721,909 S *	2/2015	Huang	D6/691.9

* cited by examiner

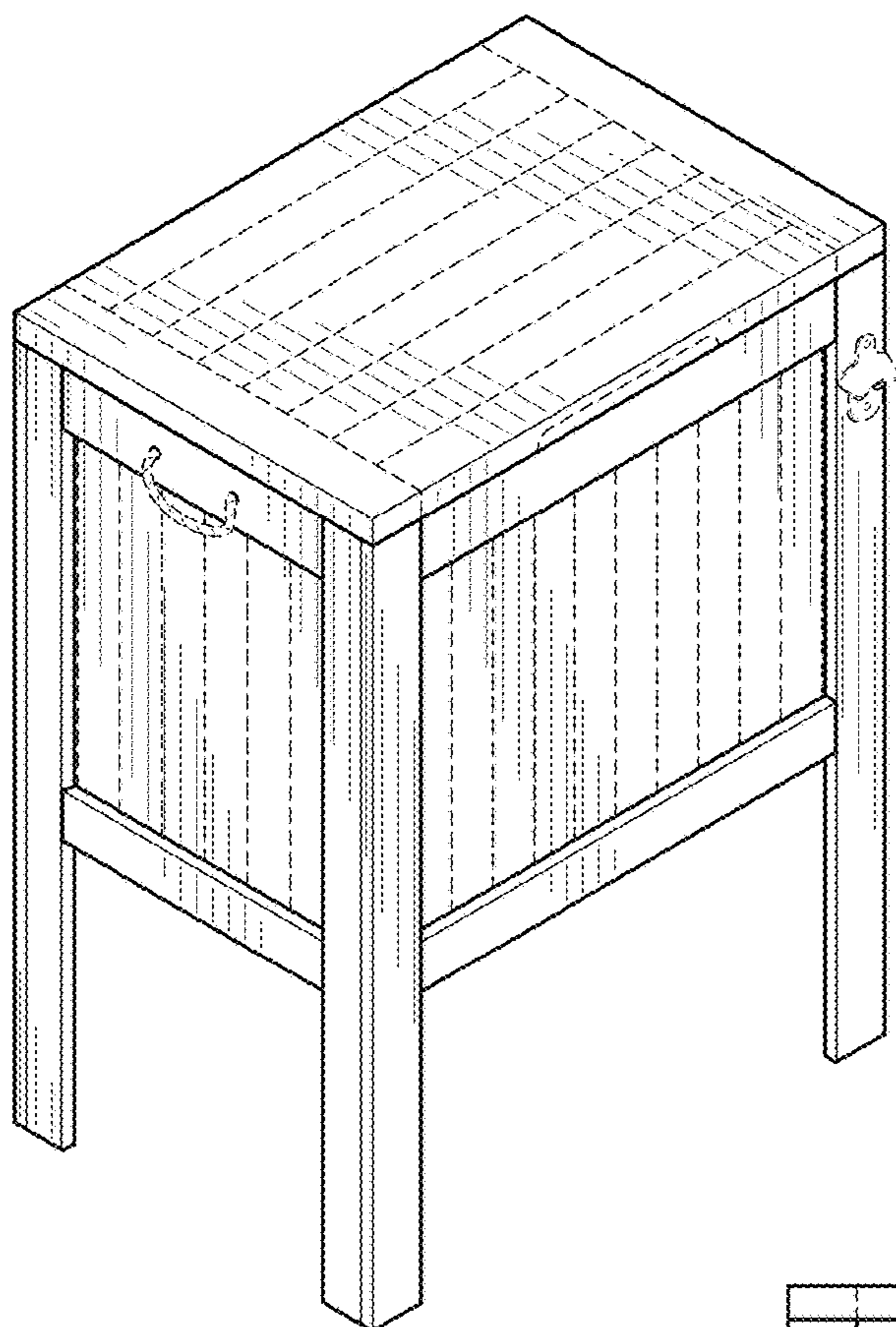


FIG. 1

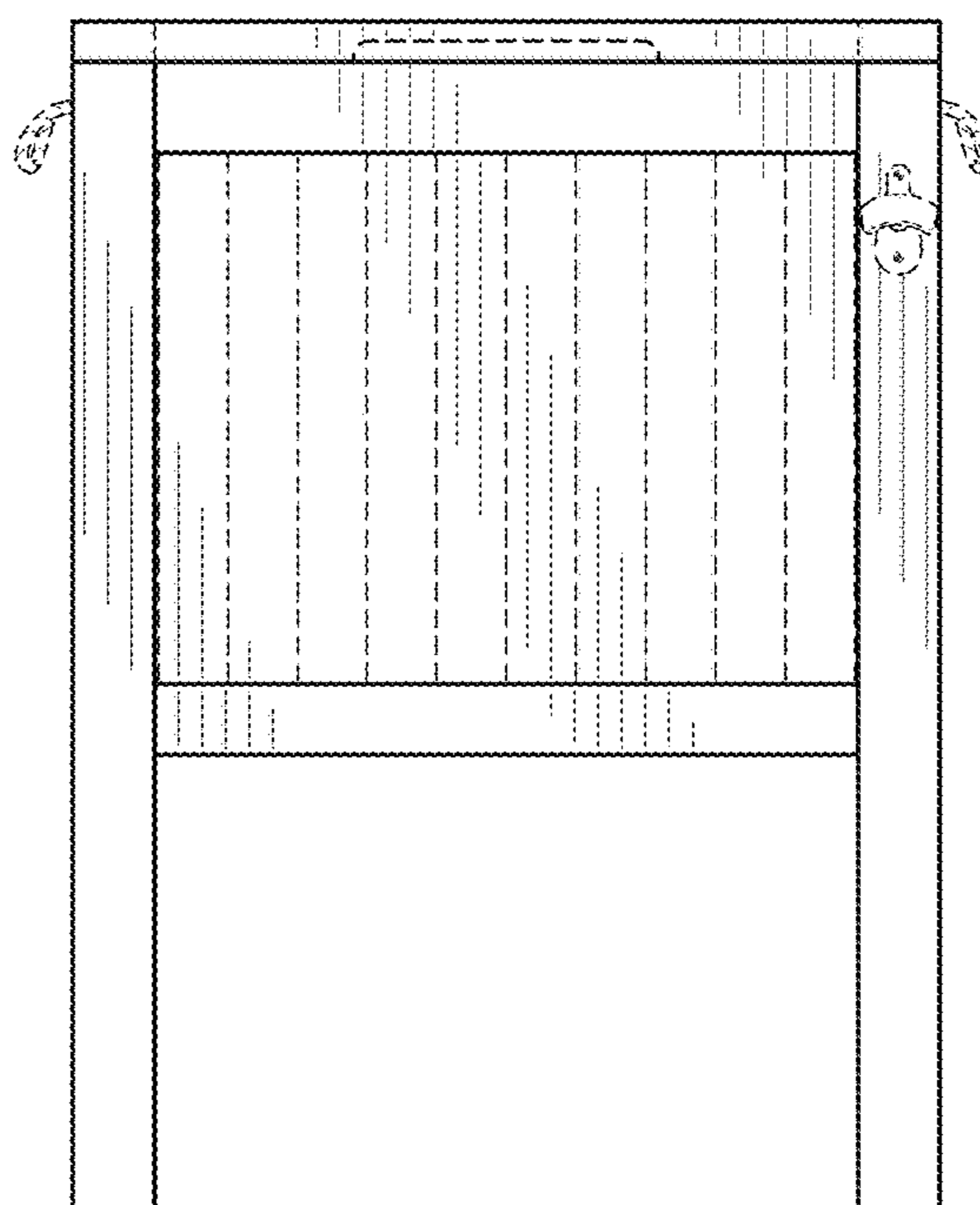


FIG. 2

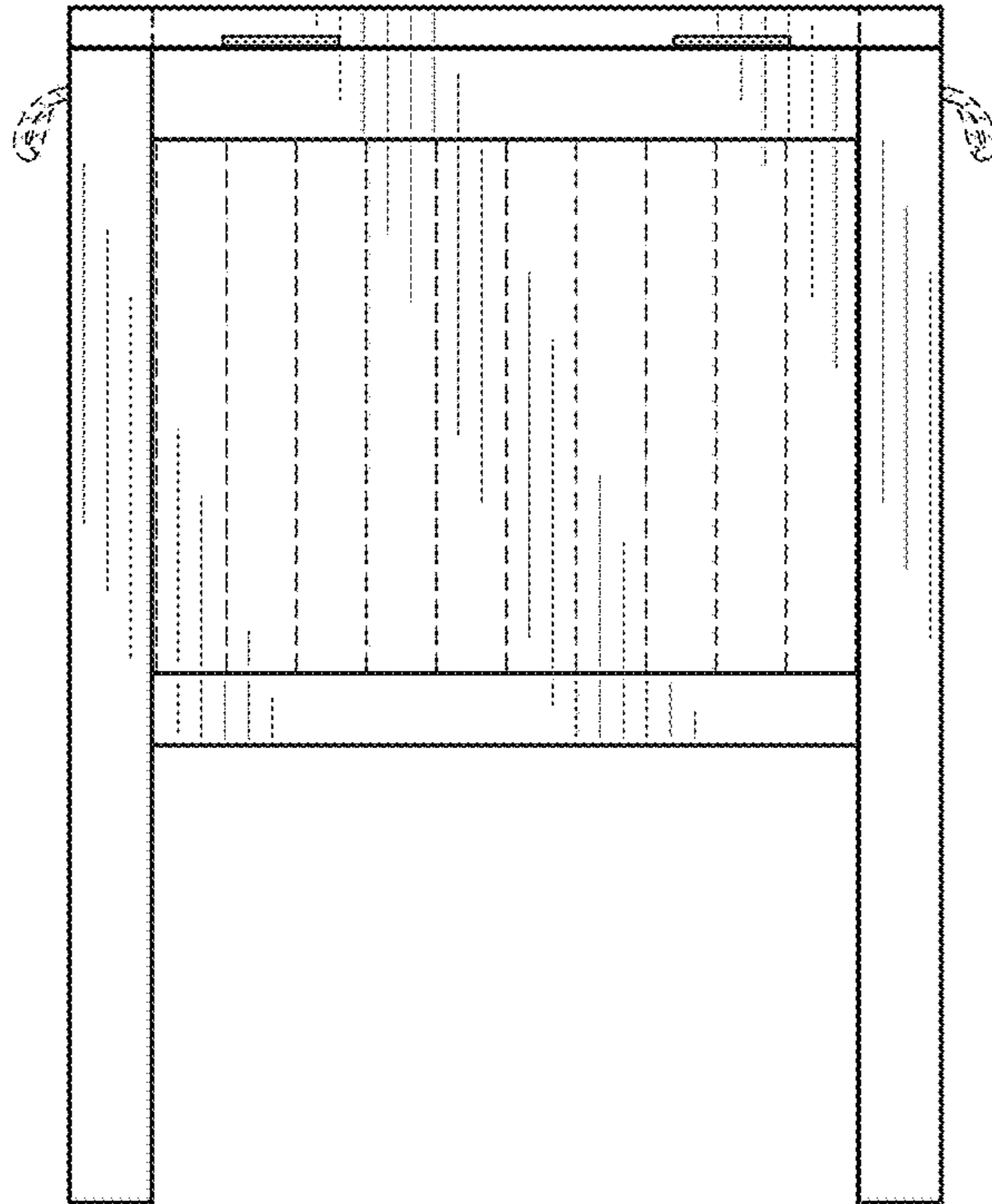


FIG. 3

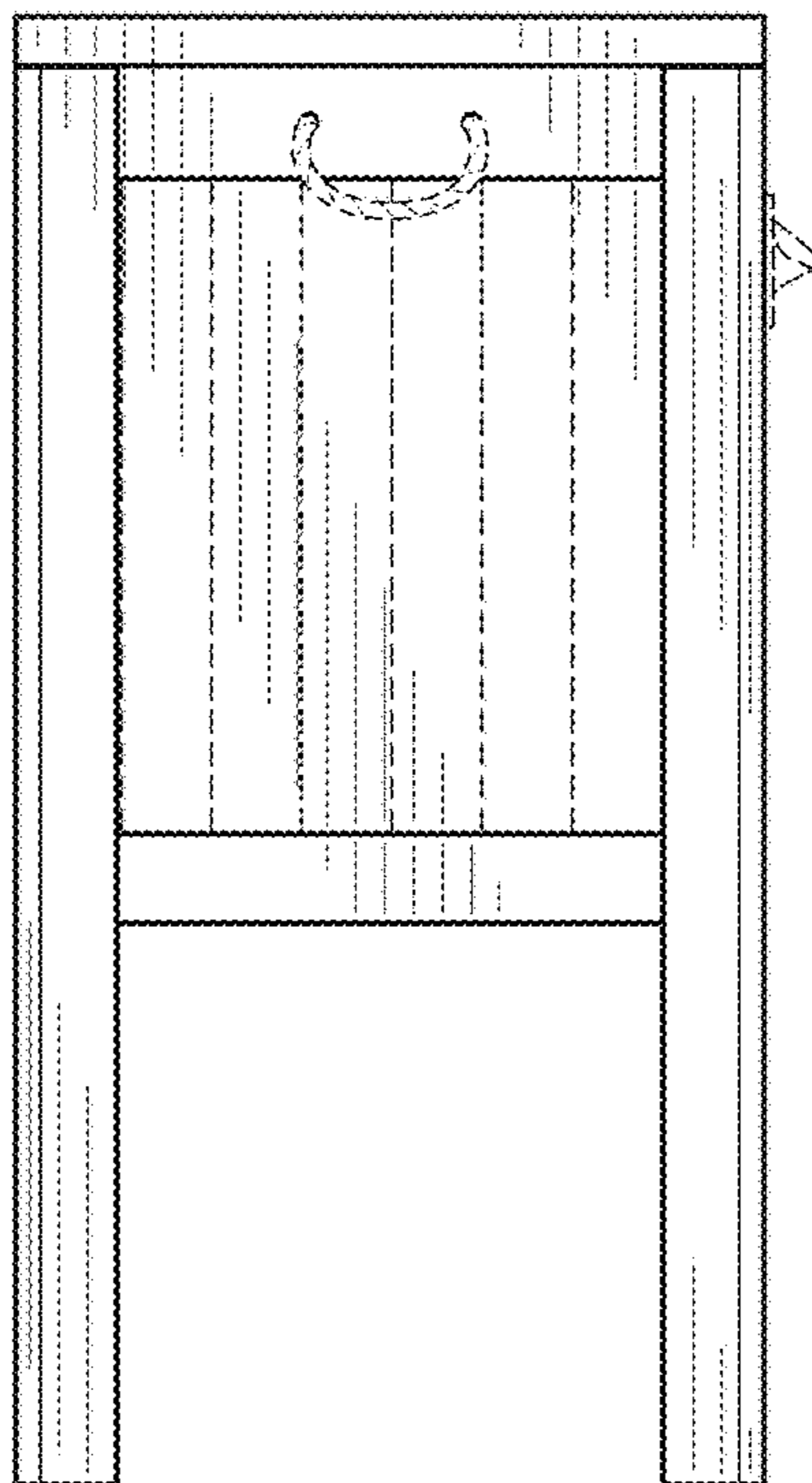


FIG. 4

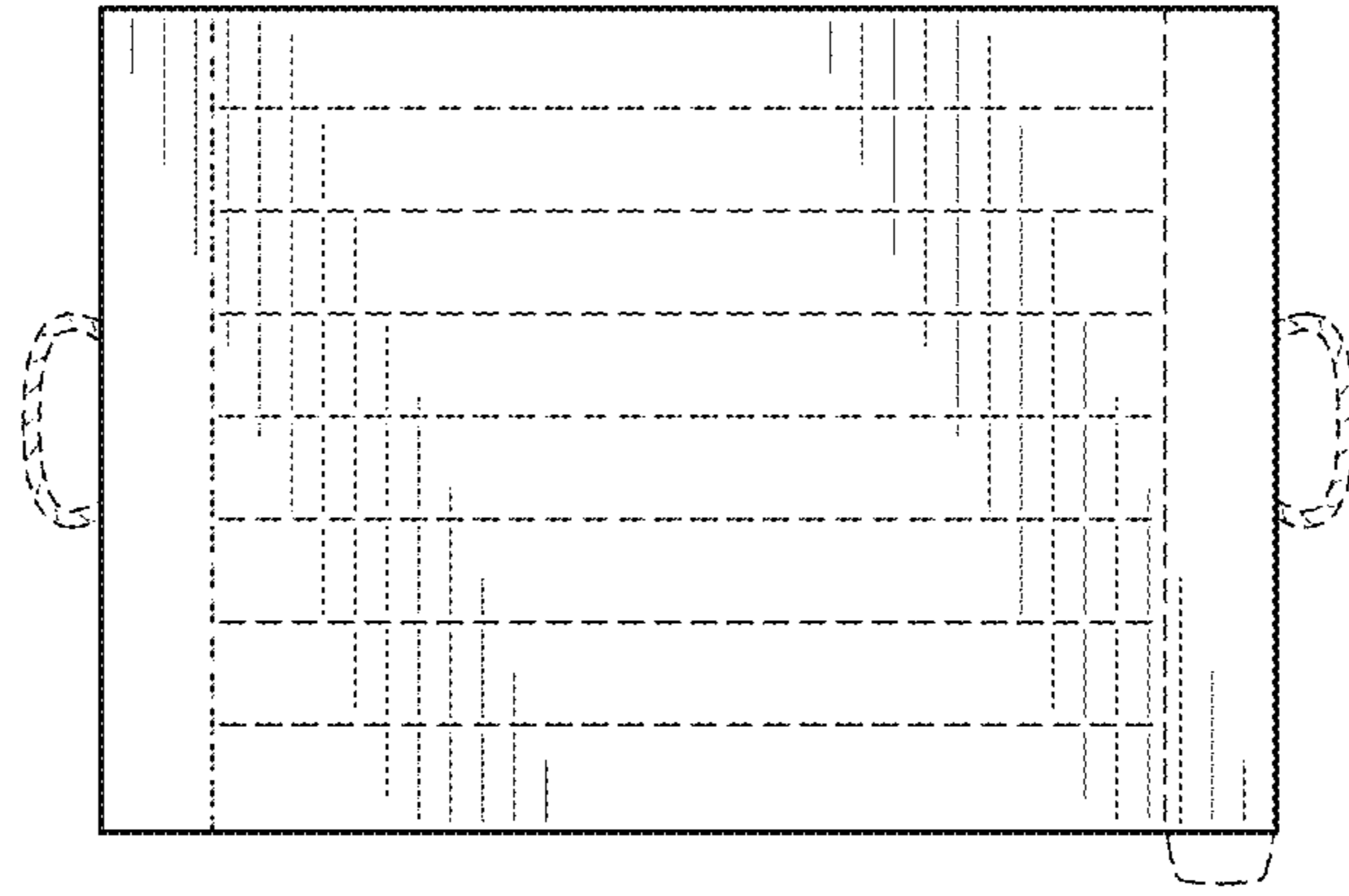


FIG. 5

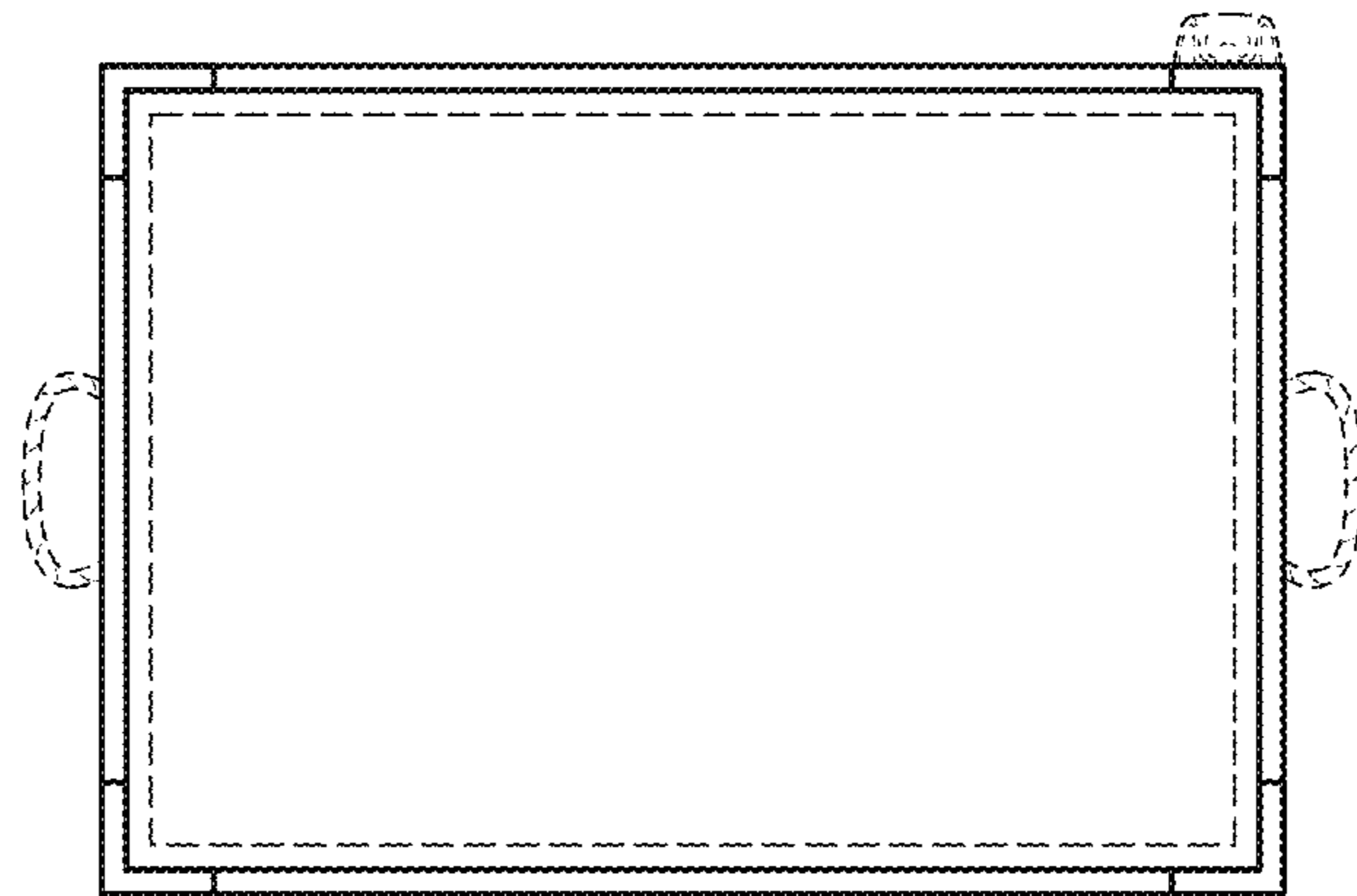


FIG. 6

