



US00D788185S

(12) **United States Design Patent** (10) **Patent No.:** **US D788,185 S**
Wolfe et al. (45) **Date of Patent:** **** May 30, 2017**

(54) **INDOOR HERB CULTIVATOR**
(71) Applicant: **Urban Cultivator Inc**, Surrey (CA)
(72) Inventors: **Tarren R. Wolfe**, Surrey (CA); **Davin P. MacGregor**, Langley (CA)
(**) Term: **14 Years**
(21) Appl. No.: **29/511,100**
(22) Filed: **Dec. 5, 2014**
(51) **LOC (10) Cl.** **15-07**
(52) **U.S. Cl.**
USPC **D15/79**
(58) **Field of Classification Search**
USPC D15/79-91; D24/216, 231, 232;
D11/142, 143, 144, 155, 163
CPC F25D 23/028; F25D 23/02; F25D 25/025;
F25D 23/00; F25D 2323/021; F25D
11/00; F25D 2323/024; F25D 23/04;
F25D 29/00; F25D 25/02; F25D 25/024;
F25D 27/005; F25D 23/12; F25D 29/005;
F25D 17/042; F25D 2325/021; F25D
2323/02; A01G 31/02; A01G 31/00;
A01G 9/02; A01G 9/05; A01G 9/021;
A01G 9/023; A01G 9/1026; A01G
9/1086; A01G 27/02; A01G 27/00; A01G
1/001
See application file for complete search history.

D524,830 S * 7/2006 Lei D15/81
D627,374 S * 11/2010 Yang D15/81
D630,231 S * 1/2011 Yang D15/81
D659,724 S 5/2012 Wolfe
D659,725 S 5/2012 Wolfe
D738,407 S * 9/2015 Rinderer D15/81
D743,452 S * 11/2015 Zubieta D15/79

* cited by examiner
Primary Examiner — Ian Simmons
Assistant Examiner — Khawaja Anwar
(74) *Attorney, Agent, or Firm* — Benoit & Cote, Inc.

(57) **CLAIM**

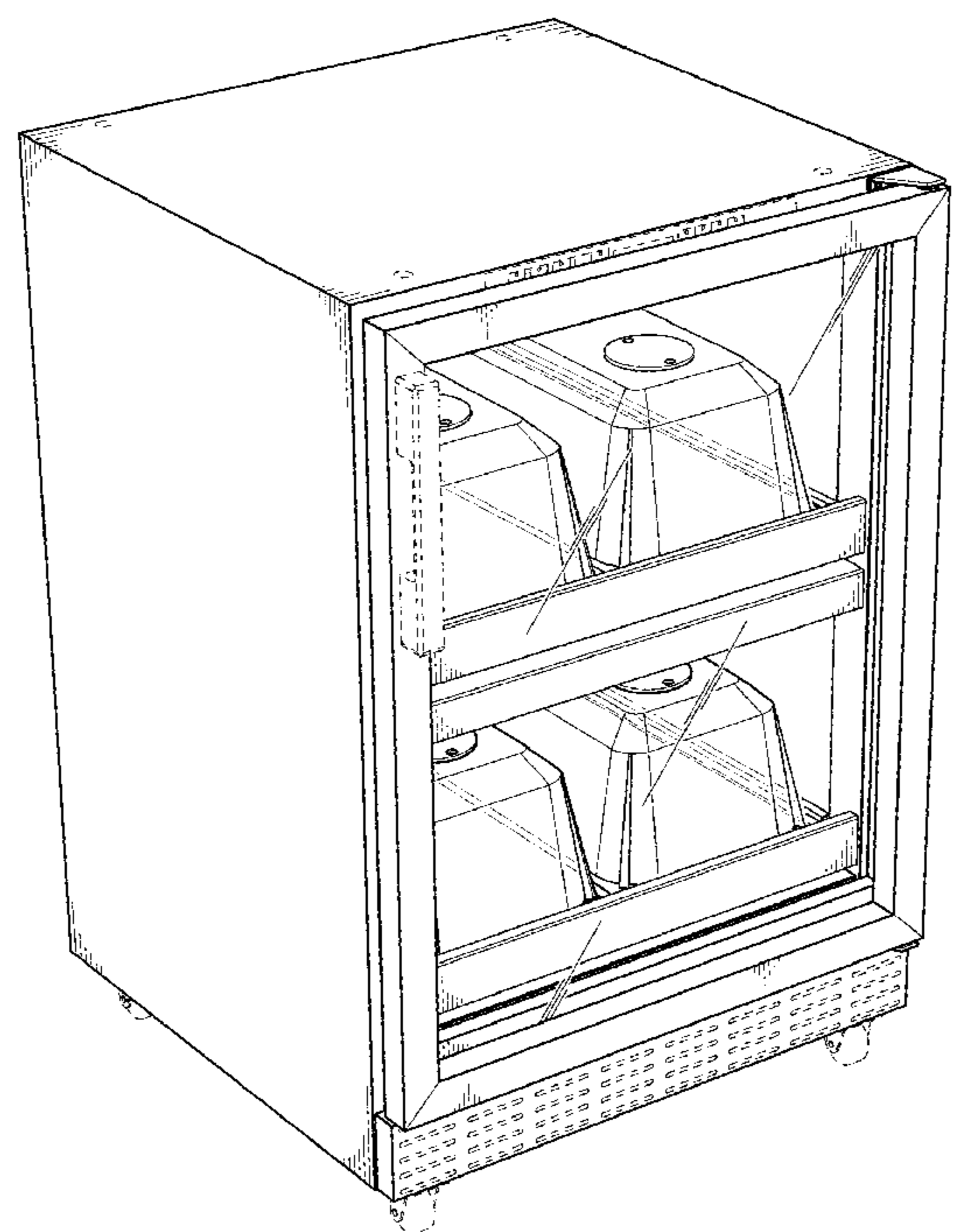
We claim the ornamental design for an indoor herb cultivator, as shown and described.

DESCRIPTION

FIG. 1 is an isometric view of an indoor herb cultivator in accordance with the present design;
FIG. 2 is a top plan view thereof; and
FIG. 3 is a front elevation view thereof;
FIG. 4 is a right side elevation view thereof;
FIG. 5 is a left side elevation view thereof; and,
FIG. 6 is a rear elevation view thereof.
The broken lines shown in the drawings represent unclaimed environment only and form no part of the claimed design.

(56) **References Cited**
U.S. PATENT DOCUMENTS
6,255,103 B1 * 7/2001 Tamaoki C12M 41/14
219/407
6,725,598 B2 * 4/2004 Yoneda A01G 9/26
47/60

1 Claim, 5 Drawing Sheets



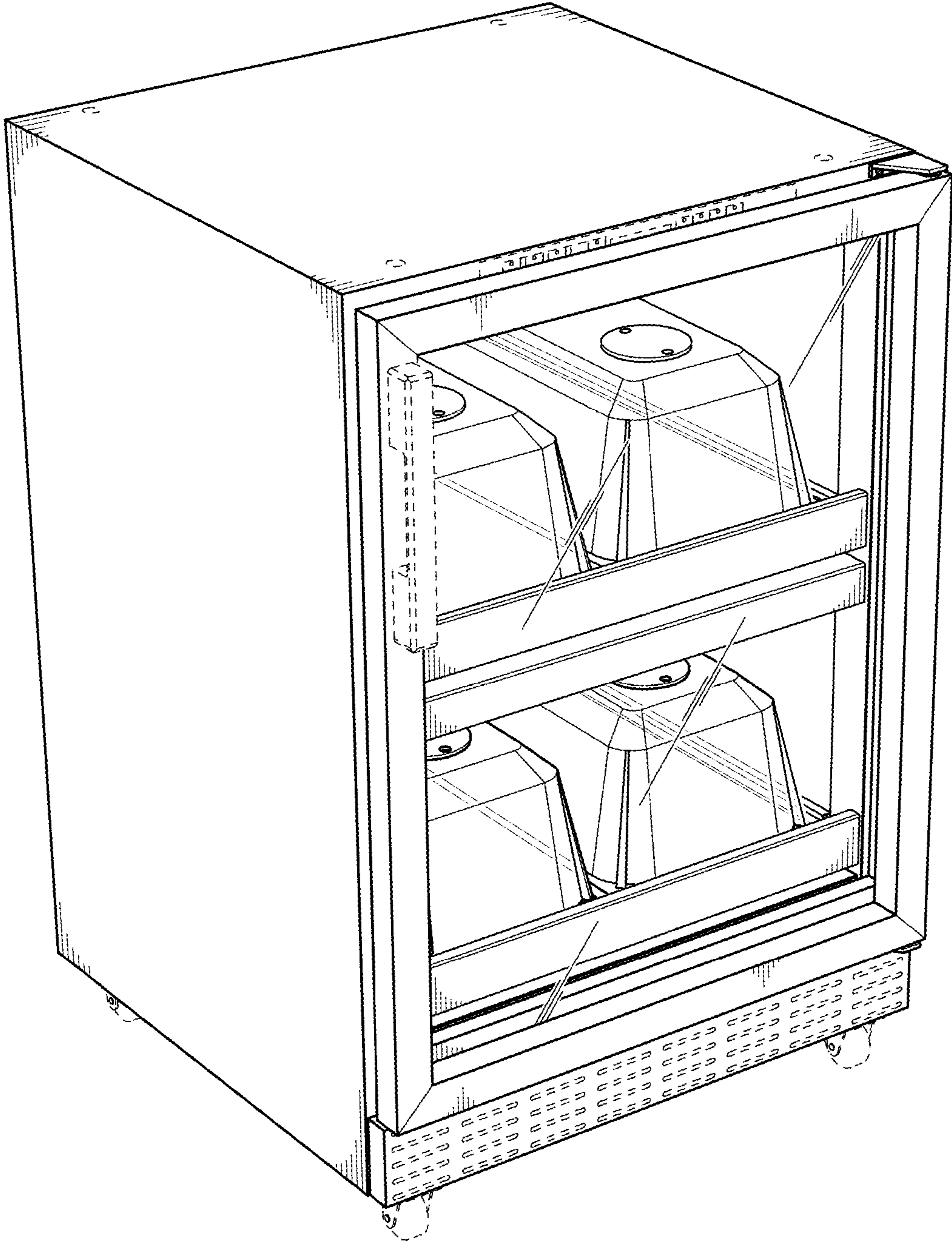


FIG. 1

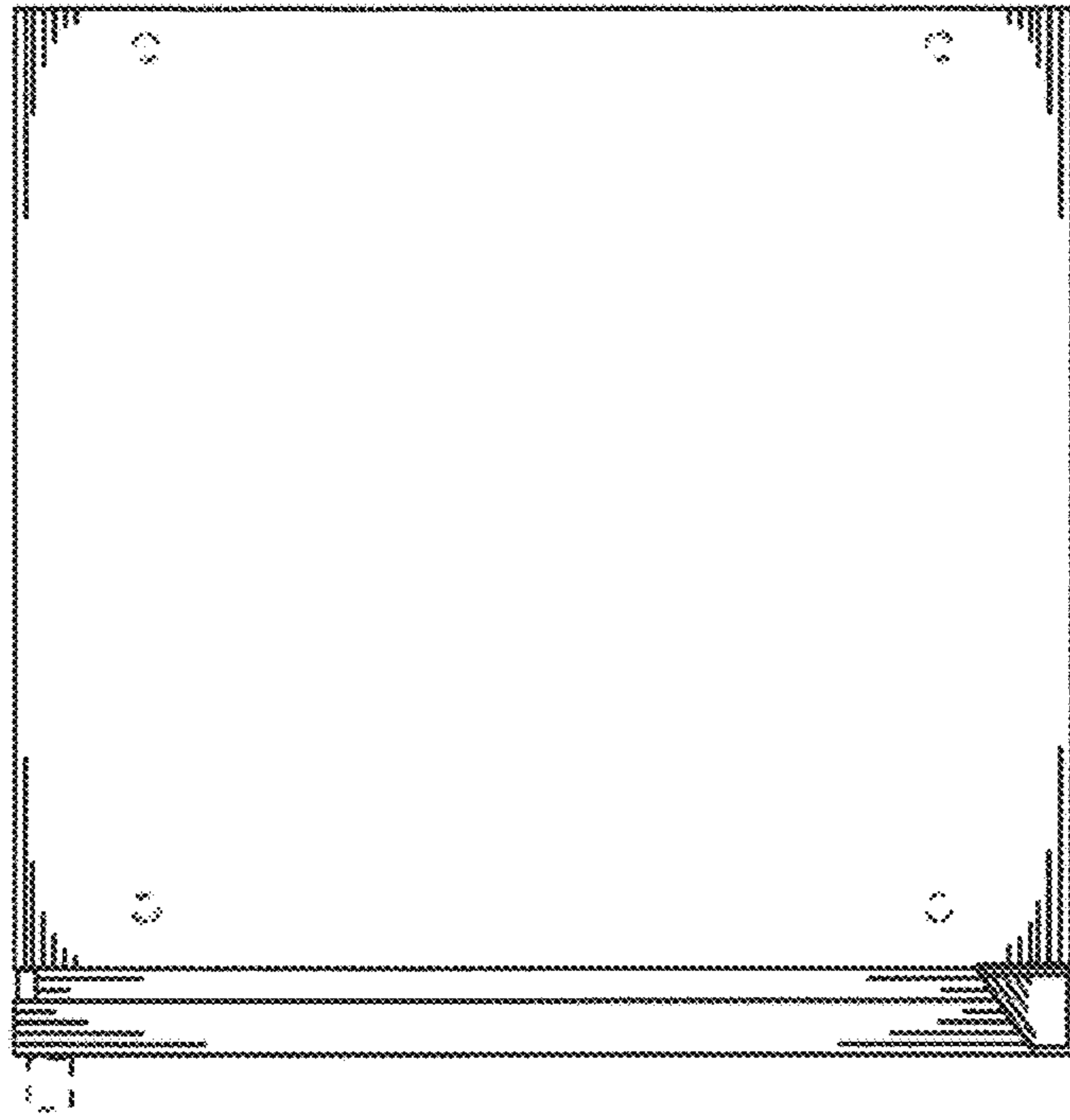


FIG. 2

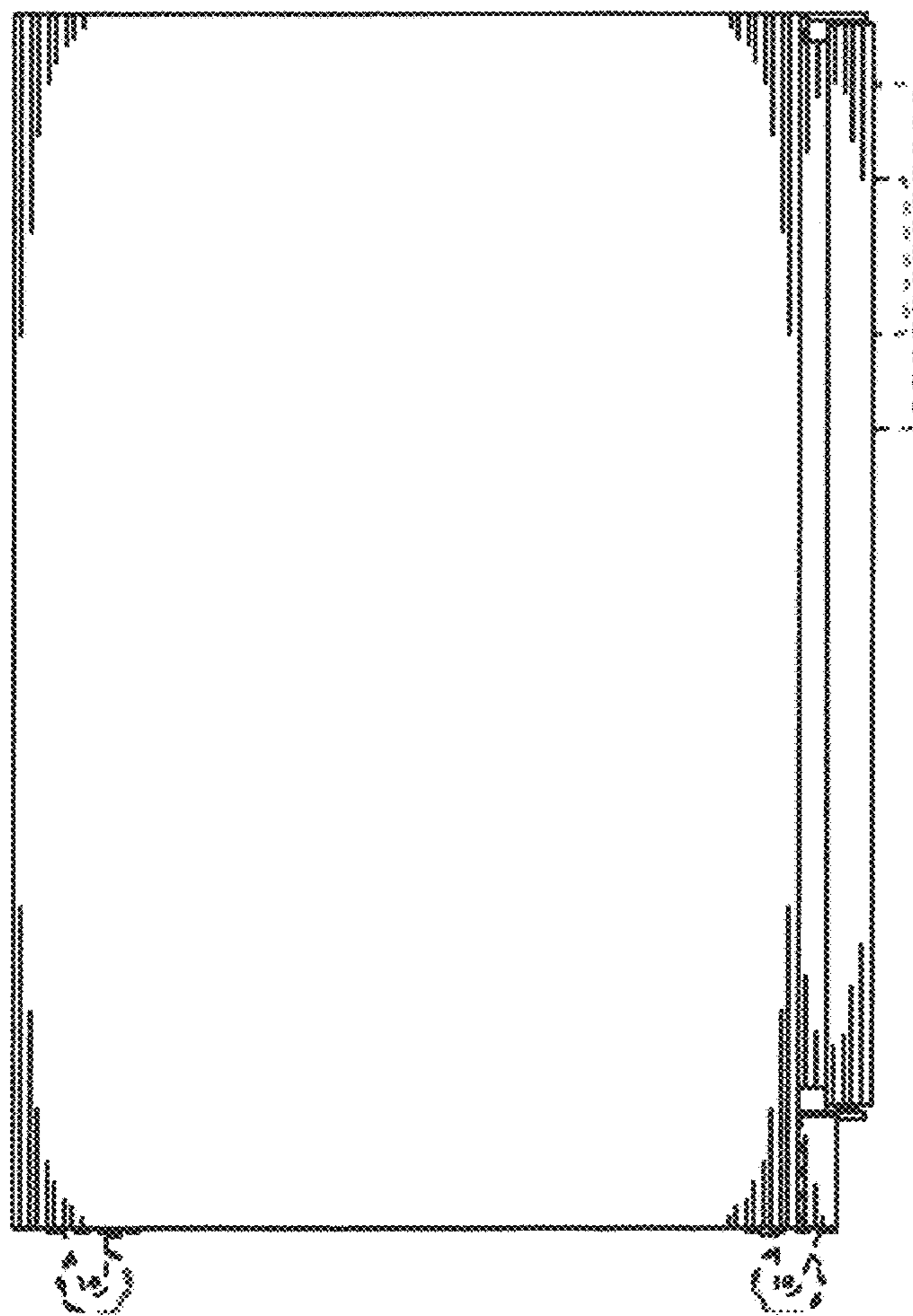


FIG. 4

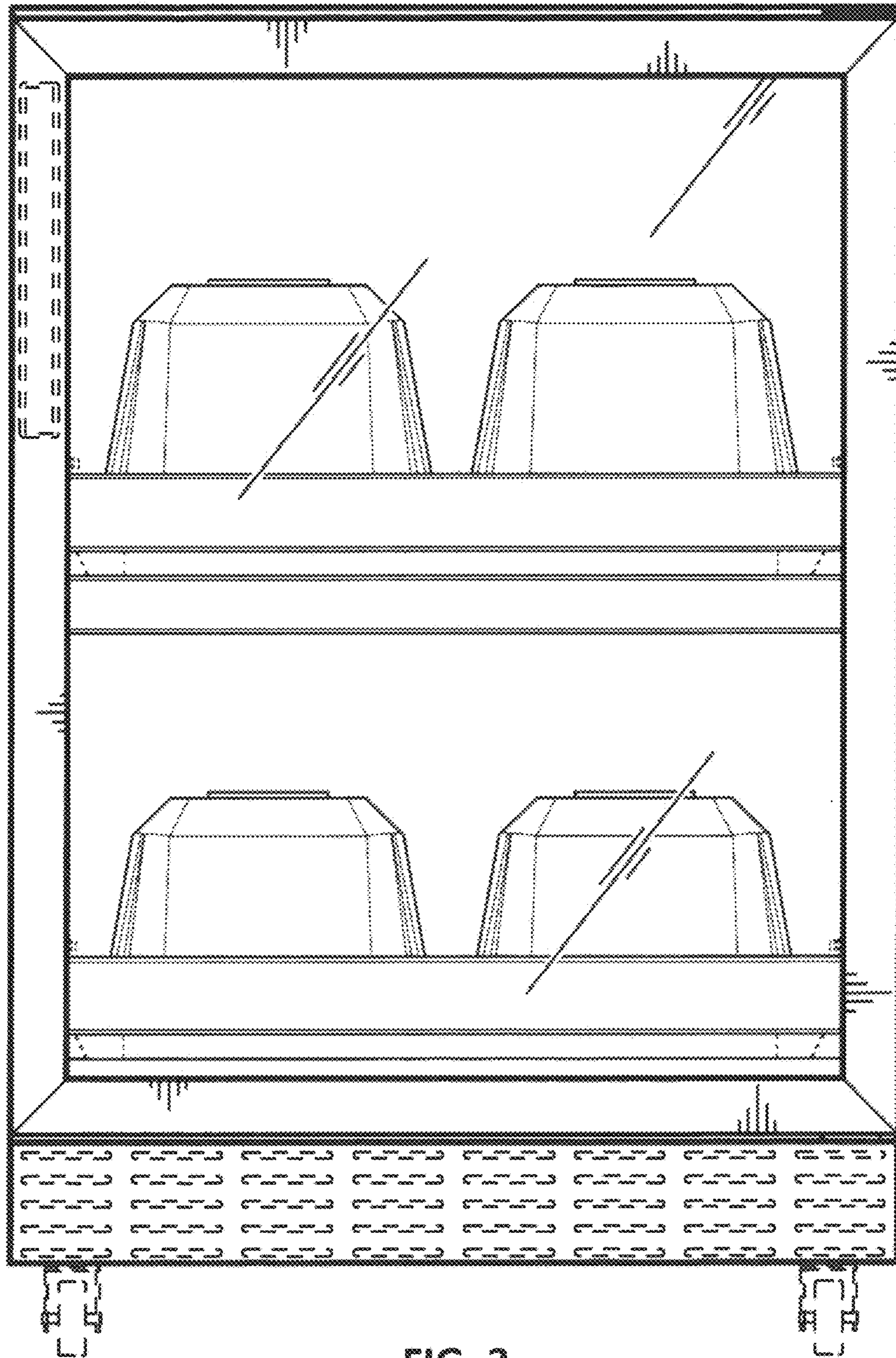


FIG. 3

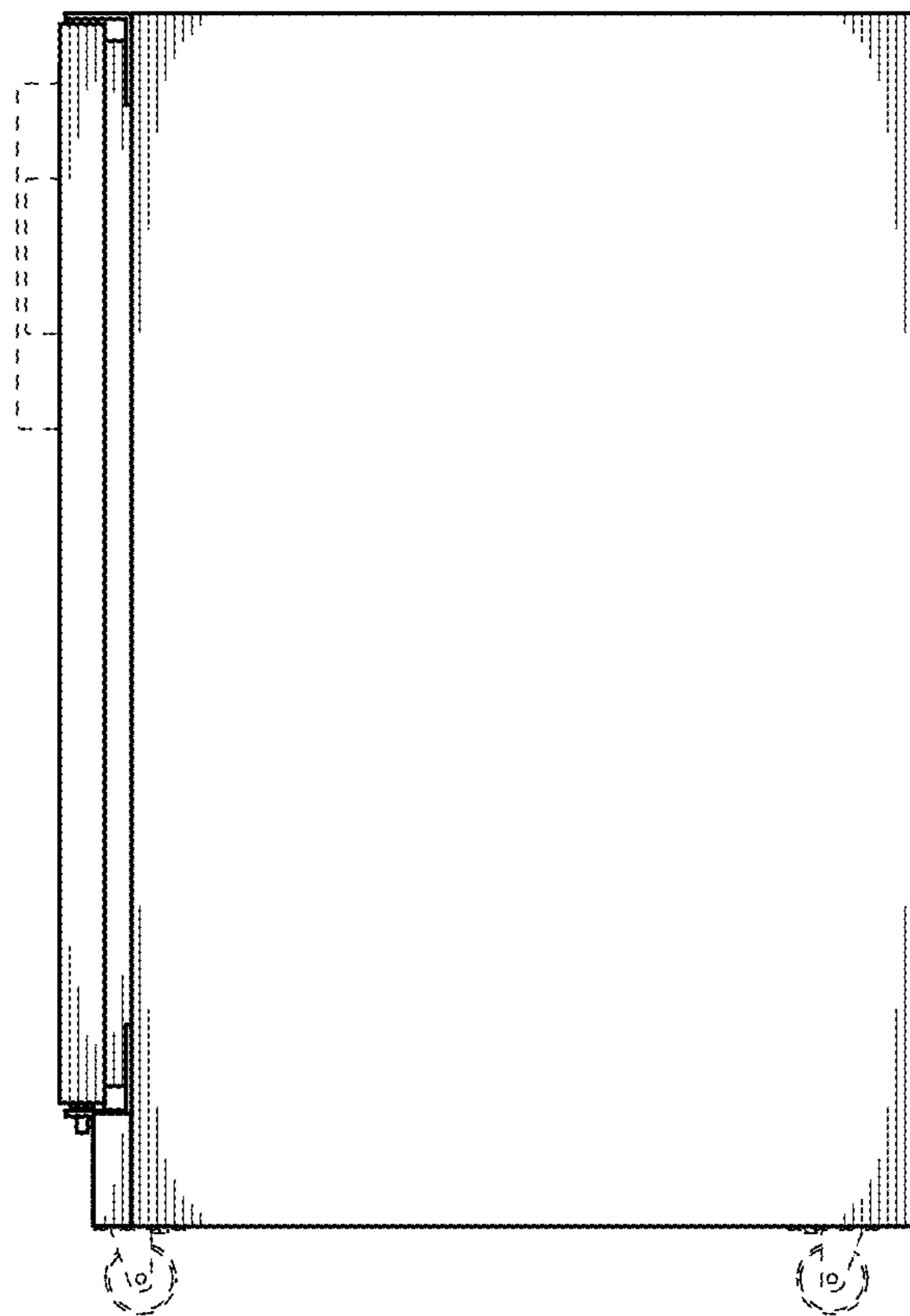


FIG. 5

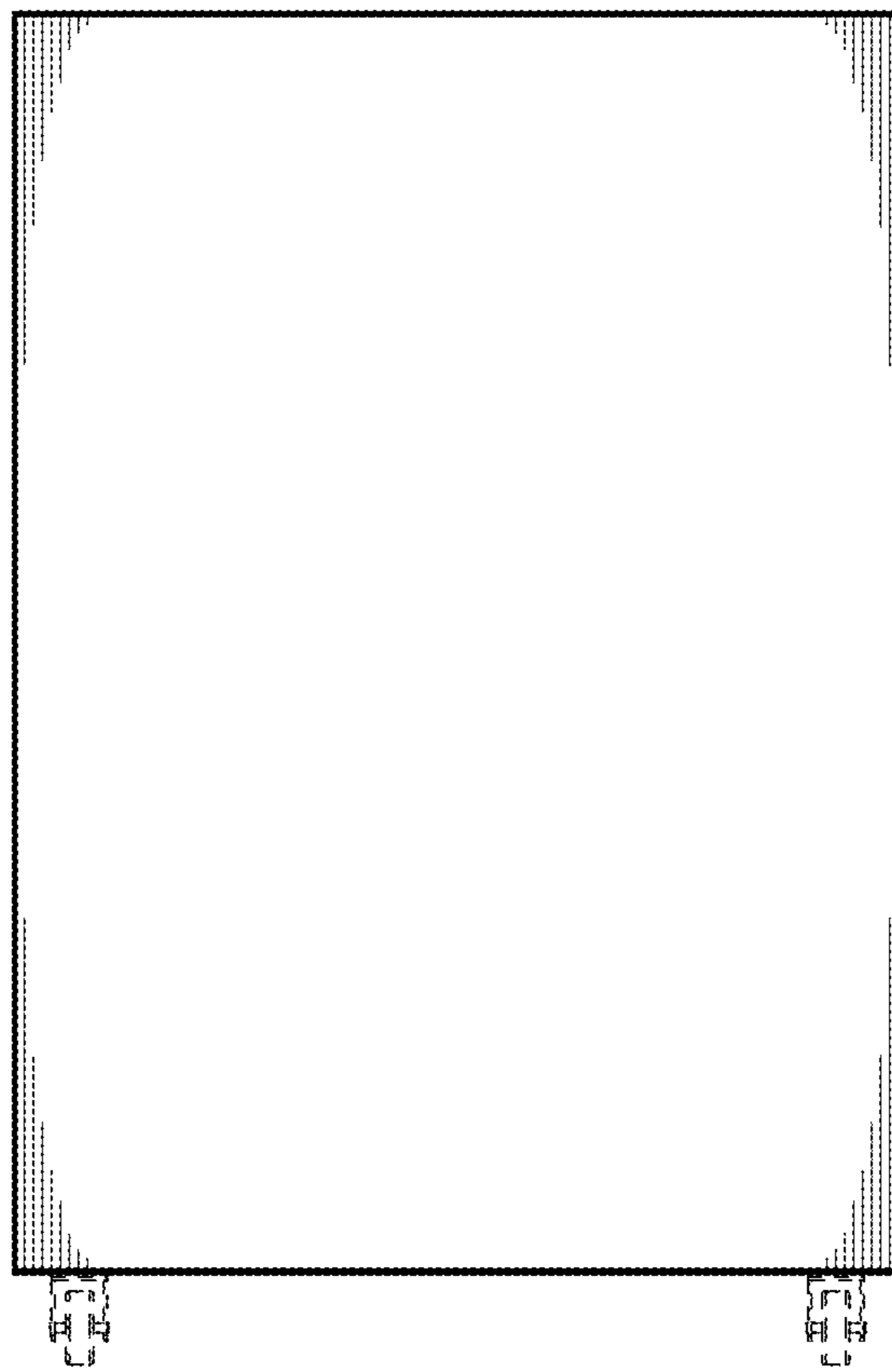


FIG. 6