



US00D788184S

(12) **United States Design Patent**
Okuyama et al.

(10) **Patent No.:** **US D788,184 S**

(45) **Date of Patent:** **** May 30, 2017**

(54) **FRONT LOADER FOR A WORKING VEHICLE**

(71) Applicant: **YANMAR CO., LTD.**, Osaka-shi, Osaka (JP)

(72) Inventors: **Kiyoyuki Okuyama**, Yamagata (JP); **Tetsuya Iida**, Osaka (JP)

(73) Assignee: **YANMAR CO., LTD.**, Osaka-Shi, Osaka (JP)

(**) Term: **15 Years**

(21) Appl. No.: **29/557,330**

(22) Filed: **Mar. 8, 2016**

(30) **Foreign Application Priority Data**

Oct. 19, 2015 (JP) 2015-023100

(51) **LOC (10) Cl.** **15-03**

(52) **U.S. Cl.**
USPC **D15/32**

(58) **Field of Classification Search**
USPC D15/10, 22-26, 28, 29, 32
CPC E02F 3/34; E02F 3/28; E02F 3/30; E02F 3/6273; E02F 3/627; E02F 3/432; E02F 3/422; E02F 3/3408; E02F 3/382; E02F 9/2275

See application file for complete search history.

(56) **References Cited**

U.S. PATENT DOCUMENTS

4,576,543 A * 3/1986 Kuchyt A01D 87/0069
414/685
D528,569 S * 9/2006 Nilsson D15/32
D584,749 S * 1/2009 Smith D15/28
D595,746 S * 7/2009 Iida D15/28
D610,172 S * 2/2010 Yukino D15/28
D649,170 S * 11/2011 Barba D15/28

D649,171 S * 11/2011 Barba D15/28
D656,523 S * 3/2012 Nilsson D15/28
D672,372 S * 12/2012 Nilsson D15/28
D739,446 S * 9/2015 Nilsson D15/32
D760,811 S * 7/2016 Uchijima D15/28
D766,342 S * 9/2016 Esqueda D15/28
D766,343 S * 9/2016 Linan D15/28
D768,731 S * 10/2016 Esqueda D15/32
D769,335 S * 10/2016 Esqueda D15/32
2007/0020078 A1 * 1/2007 Frey E02F 3/38
414/686
2007/0217899 A1 * 9/2007 Sakada E02F 3/3408
414/722
2007/0243052 A1 * 10/2007 Fukudome E02F 3/382
414/723
2008/0063502 A1 * 3/2008 Nilsson E02F 3/34
414/685
2008/0193269 A1 * 8/2008 Sakada E02F 3/38
414/722

* cited by examiner

Primary Examiner — Mark Goodwin

(74) *Attorney, Agent, or Firm* — Cantor Colburn LLP

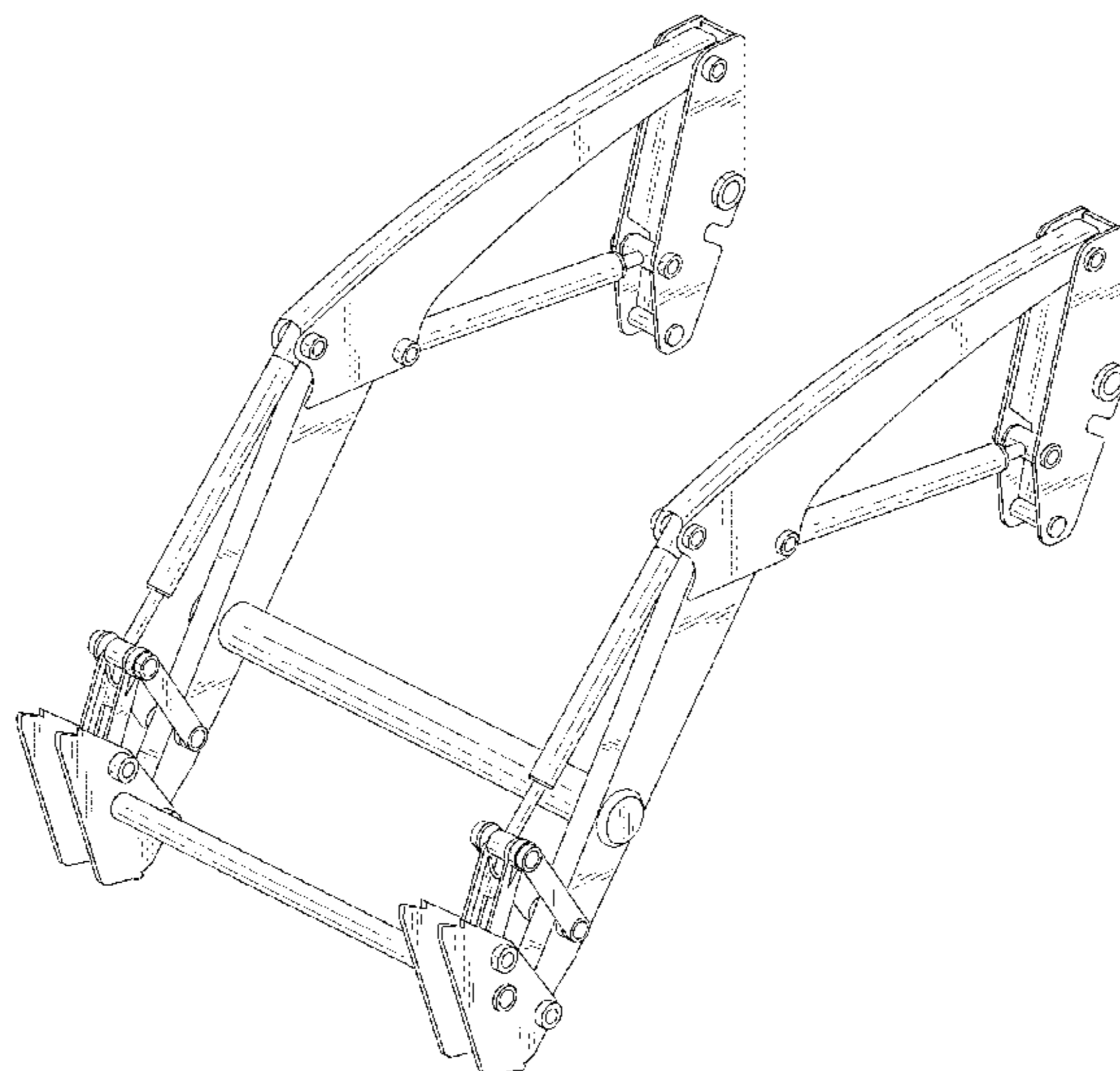
(57) **CLAIM**

The ornamental design for a front loader for a working vehicle, as shown and described.

DESCRIPTION

FIG. 1 is a perspective view of a front loader for a working vehicle showing our new design;
FIG. 2 is a front view thereof;
FIG. 3 is a rear view thereof;
FIG. 4 is a top plan view thereof;
FIG. 5 is a bottom plan view thereof;
FIG. 6 is a left side view thereof;
FIG. 7 is a right side view thereof; and,
FIG. 8 is a reference drawing in the perspective view showing a use situation. The dotted lines show unclaimed subject matter.

1 Claim, 8 Drawing Sheets



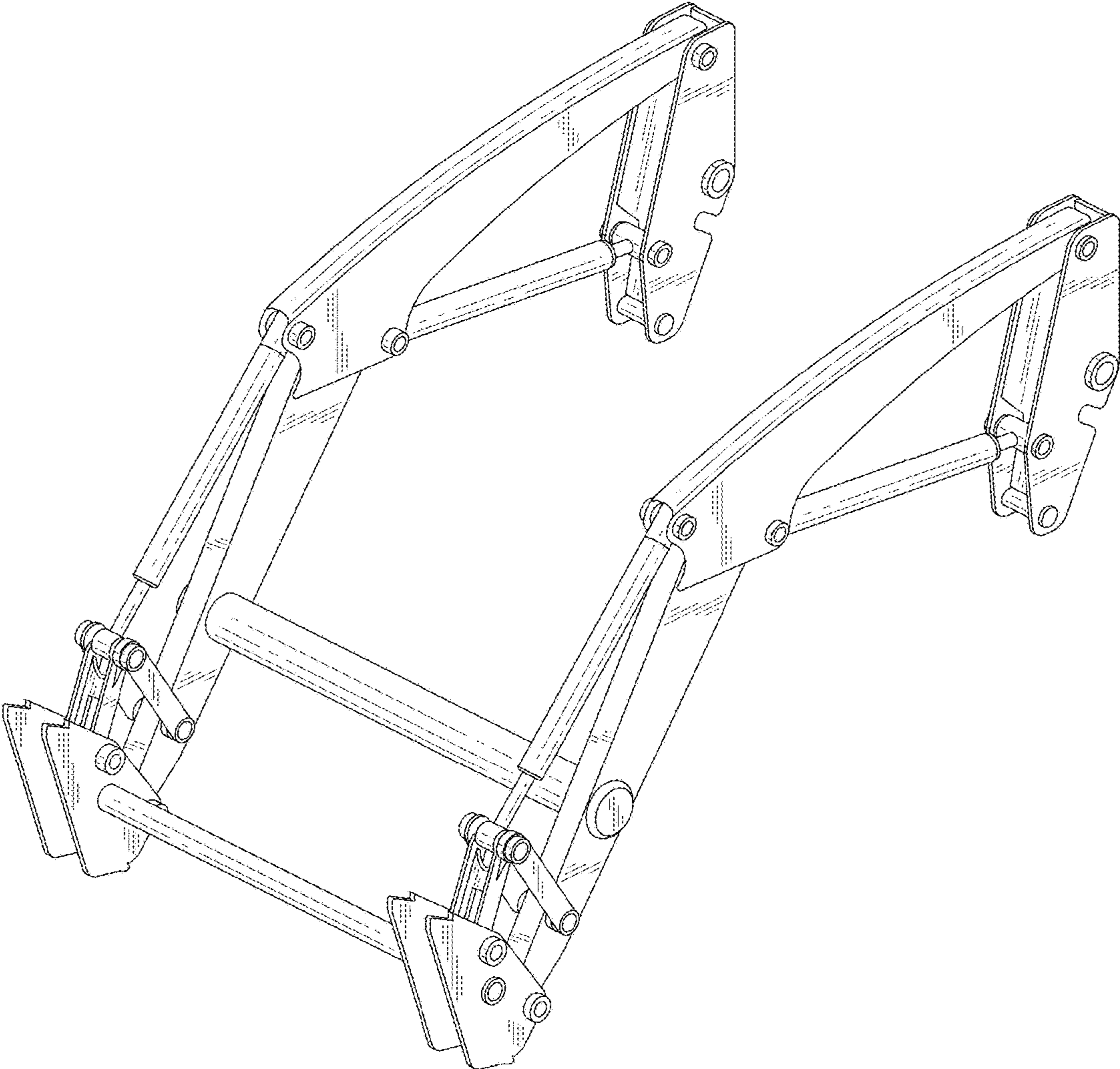


FIG. 1

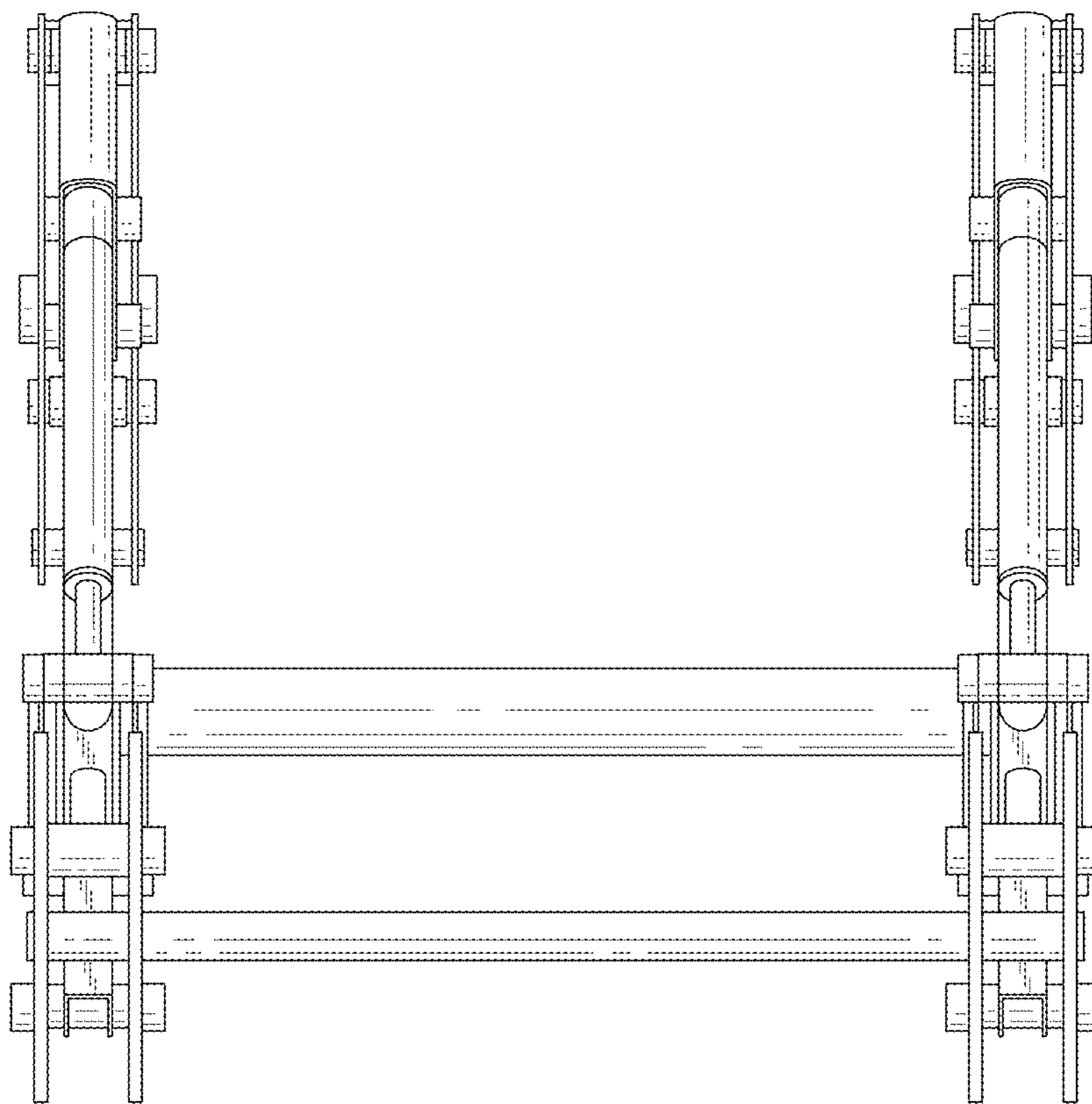


FIG. 2

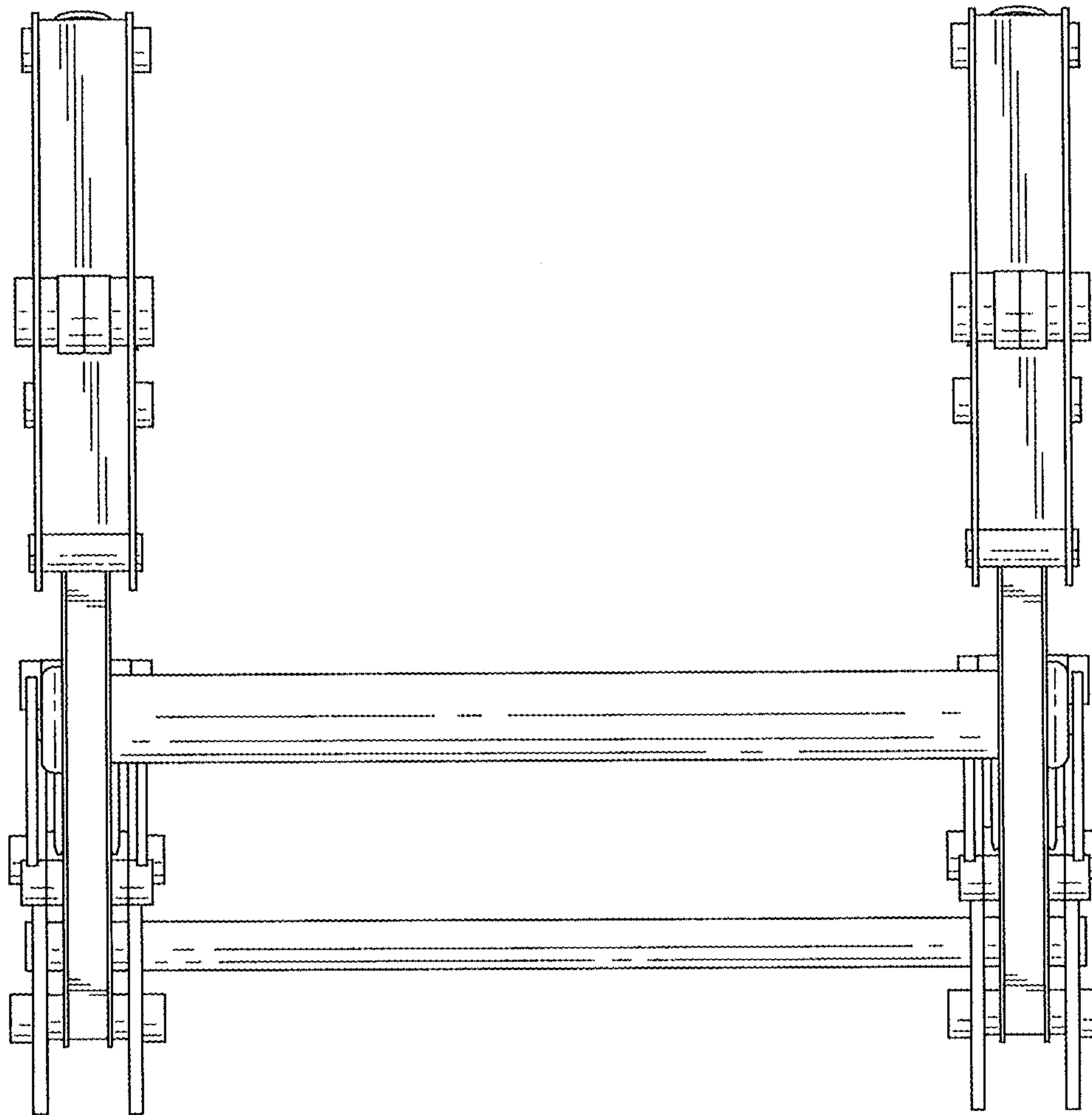


FIG. 3

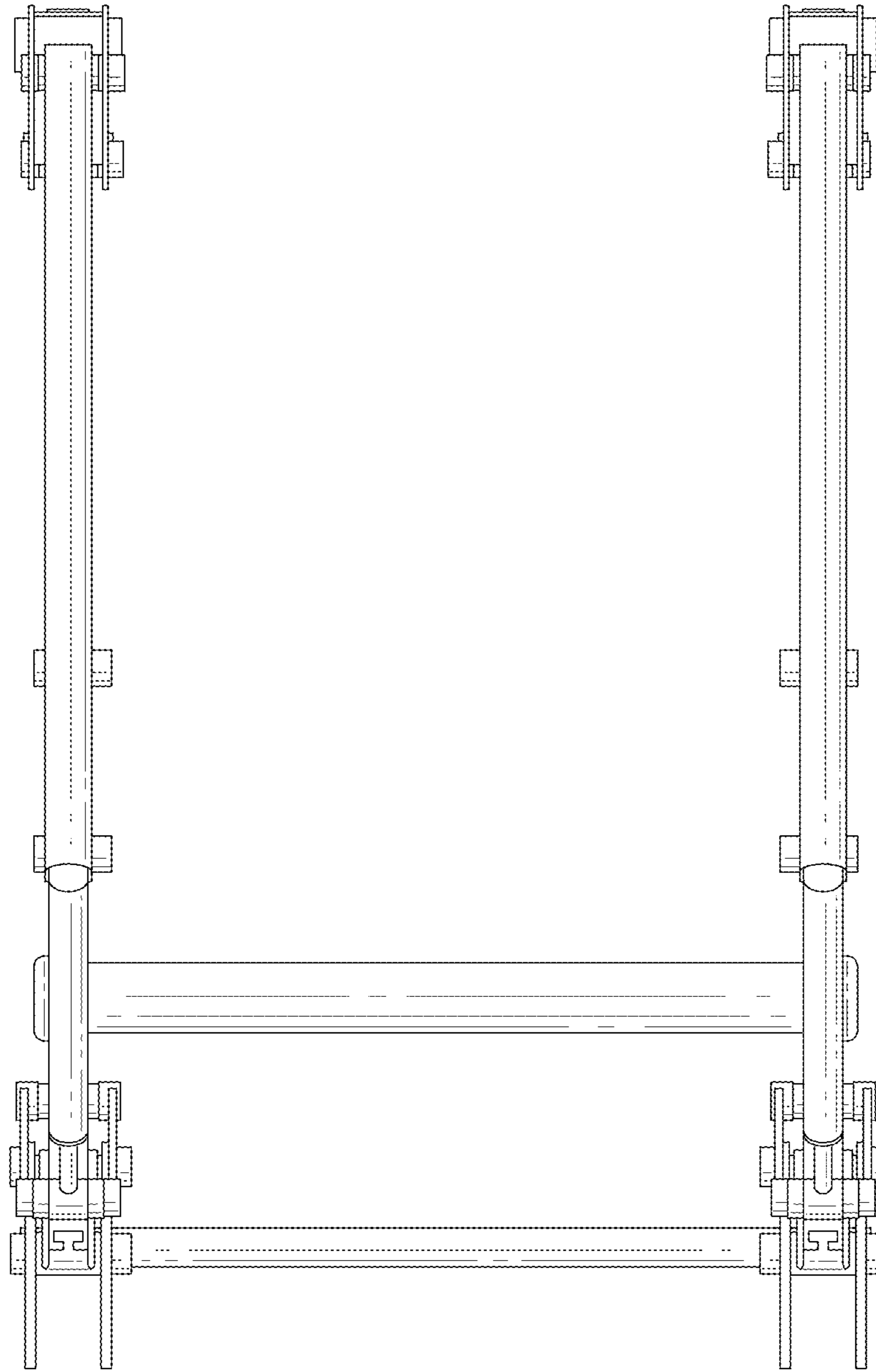


FIG. 4

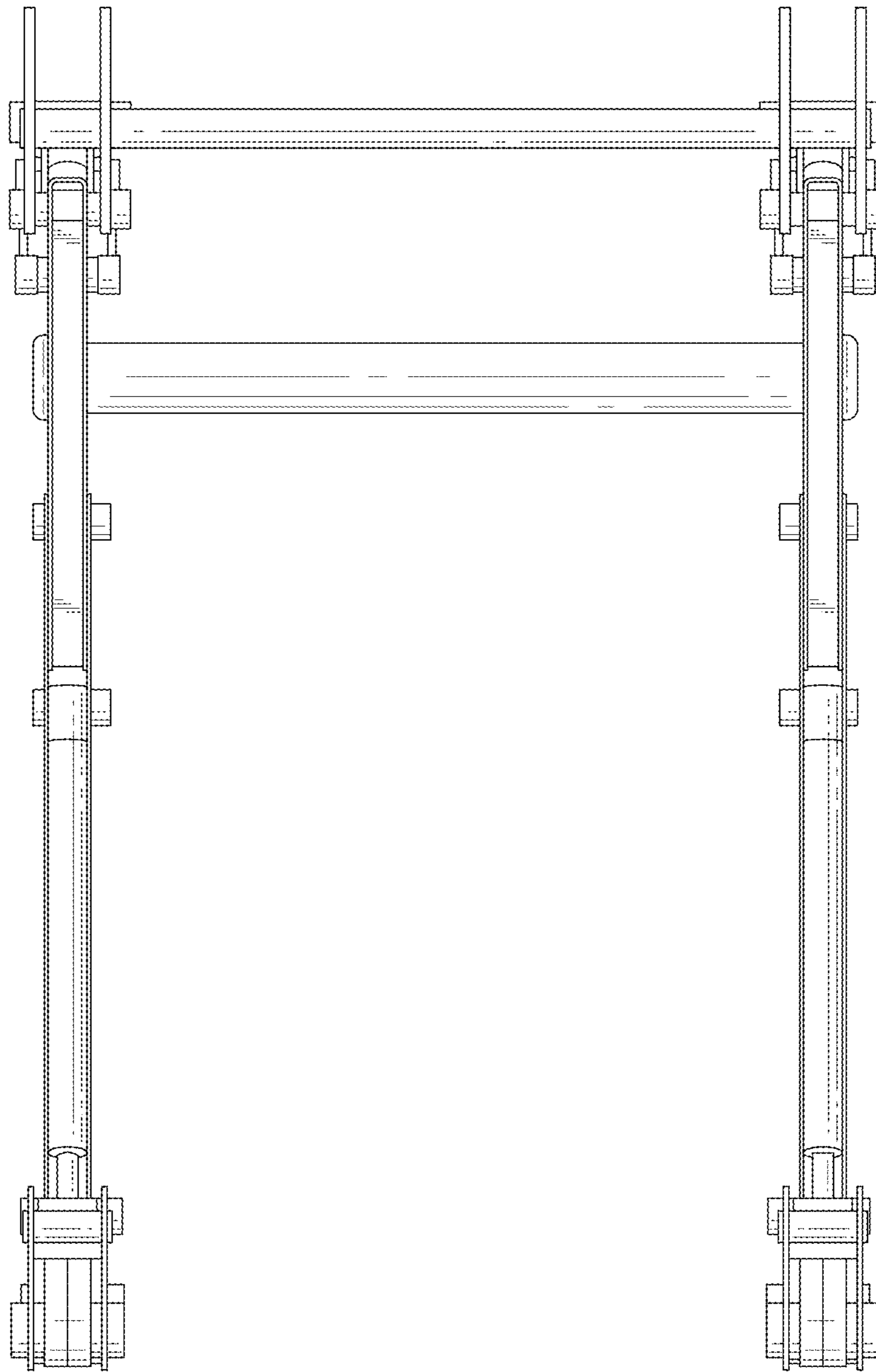


FIG. 5

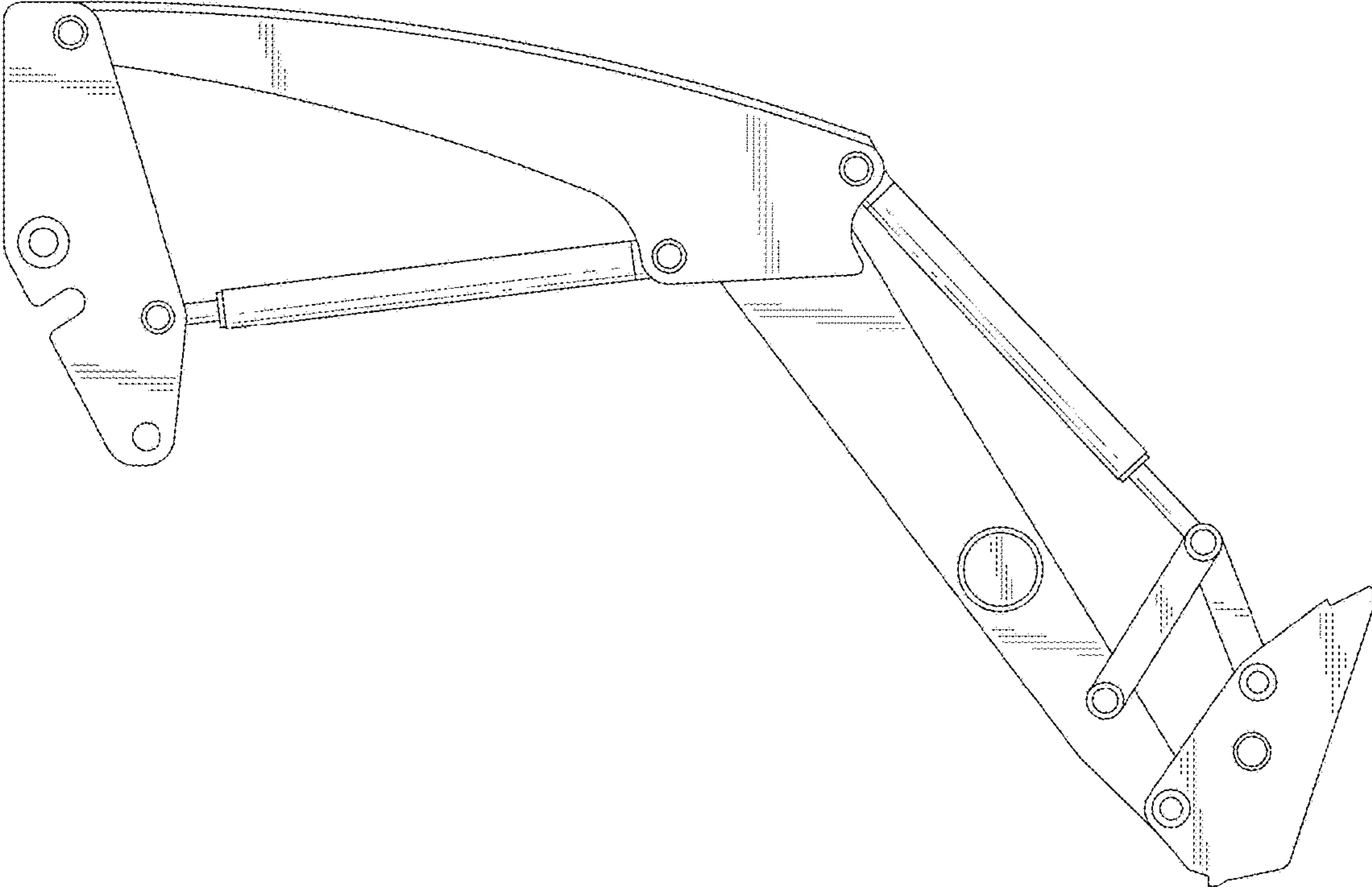


FIG. 6

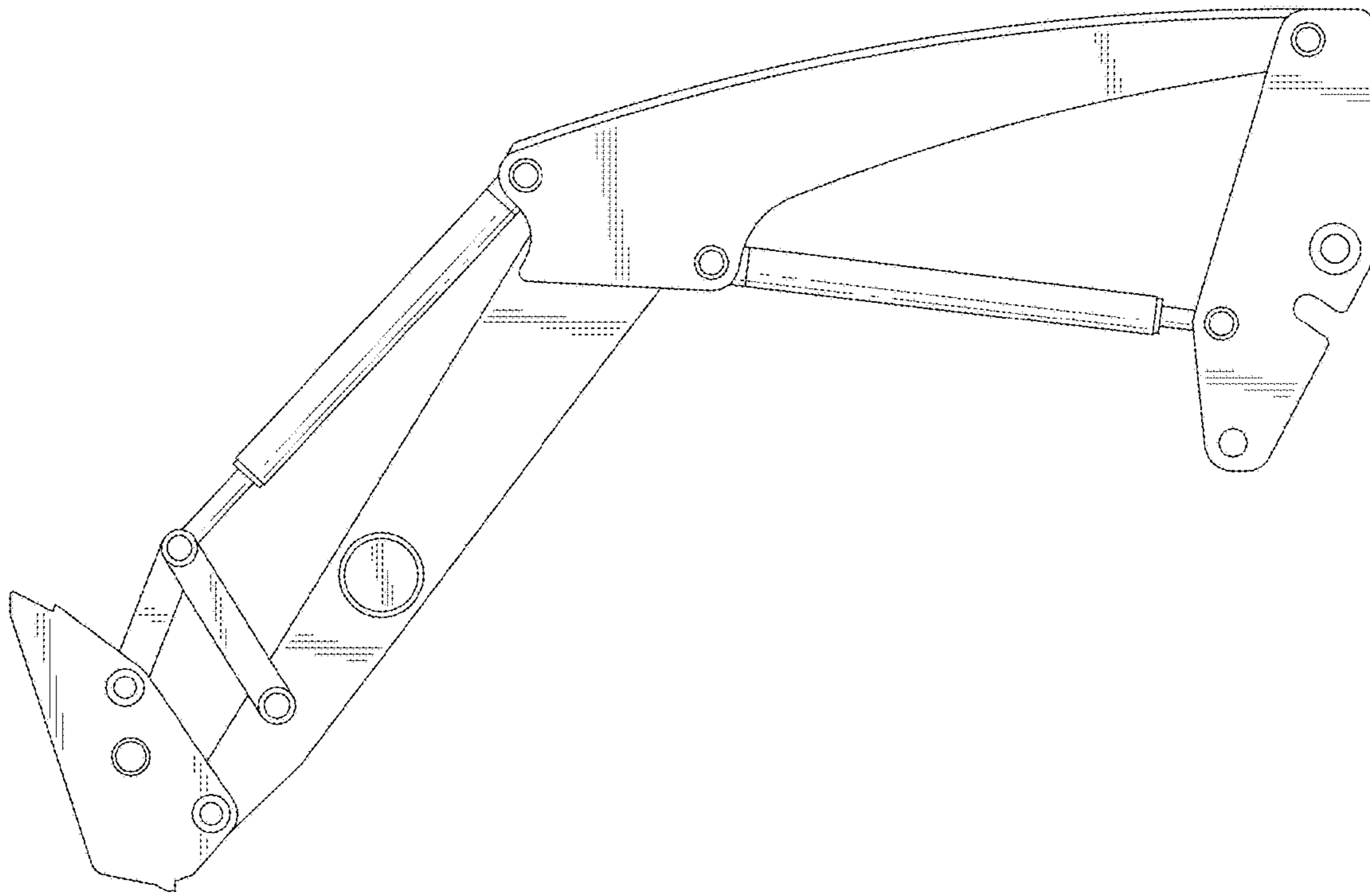


FIG. 7

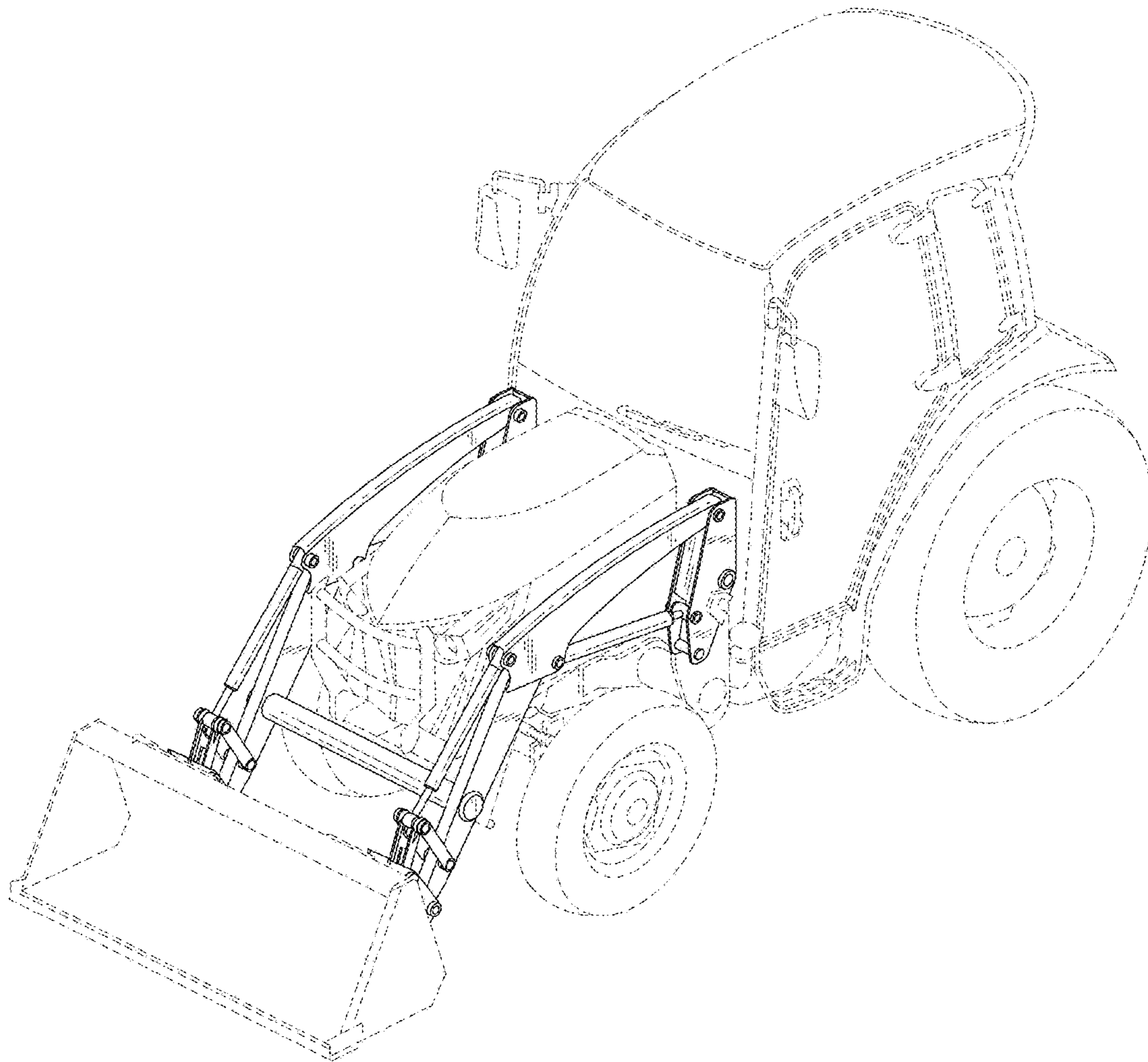


FIG. 8