



US00D788183S

(12) **United States Design Patent** (10) **Patent No.:** **US D788,183 S**  
**Jackson et al.** (45) **Date of Patent:** **\*\* May 30, 2017**

(54) **COVER PANEL OF AN AGRICULTURAL WORK VEHICLE**

(71) Applicant: **CNH Industrial America LLC**, New Holland, PA (US)

(72) Inventors: **Dwayne St. George Jackson**, Plainfield, IL (US); **Frank Zsigmond Asztalos**, Orchard Lake, MI (US); **Christopher Alan Foster**, Mohnton, PA (US); **John Bradley Lukac**, St. John, IN (US); **Eric Michael Jacobsthal**, Elmhurst, IL (US)

(73) Assignee: **CNH Industrial America LLC**, New Holland, PA (US)

(\*\*) Term: **15 Years**

(21) Appl. No.: **29/567,615**

(22) Filed: **Jun. 10, 2016**

(51) **LOC (10) Cl.** ..... **15-03**

(52) **U.S. Cl.**  
USPC ..... **D15/31; D15/28**

(58) **Field of Classification Search**  
USPC ..... D15/10, 22-26, 28, 31, 33; 37/455, 442, 37/443, 403, 409; 180/89.1, 89.12, 298, 180/900, 68.5; 414/685, 694, 722, 724  
CPC ..... E02F 9/0891; E02F 9/08; B62D 25/10; B60K 11/08; B60K 11/00; F01P 2001/005; F01P 11/10; F01P 1/00  
See application file for complete search history.

(56) **References Cited**

**U.S. PATENT DOCUMENTS**

D447,753 S \* 9/2001 Goebert ..... D15/31  
D448,037 S \* 9/2001 Westimayer ..... D15/31  
D453,777 S \* 2/2002 Williams ..... D15/33  
D455,157 S \* 4/2002 Williams ..... D15/31  
D455,764 S \* 4/2002 Williams ..... D15/33

D489,381 S \* 5/2004 Mistry ..... D15/23  
D494,900 S \* 8/2004 Satou ..... D12/173  
D498,485 S \* 11/2004 Kuwae ..... D15/31  
D500,507 S \* 1/2005 Mistry ..... D15/31  
D500,772 S \* 1/2005 Montgomery  
D532,022 S \* 11/2006 Kuwae ..... D15/17  
D570,265 S \* 6/2008 Nakanishi ..... D12/173  
D594,038 S \* 6/2009 Shimomura ..... D15/31  
D596,205 S \* 7/2009 Kawashiri ..... D15/31  
D605,669 S \* 12/2009 Matsumoto ..... D15/31  
D608,374 S \* 1/2010 De Rycke ..... D15/33  
D629,818 S \* 12/2010 Rummer ..... D15/31  
D634,757 S \* 3/2011 Mack ..... D15/10  
D636,001 S \* 4/2011 Martin ..... D15/33

(Continued)

**OTHER PUBLICATIONS**

U.S. Appl. No. 29/567,579, filed Jun. 10, 2016, Dwayne St. George Jackson.

(Continued)

*Primary Examiner* — Mark Goodwin

(74) *Attorney, Agent, or Firm* — Rebecca L. Henkel; Rickard K. DeMille

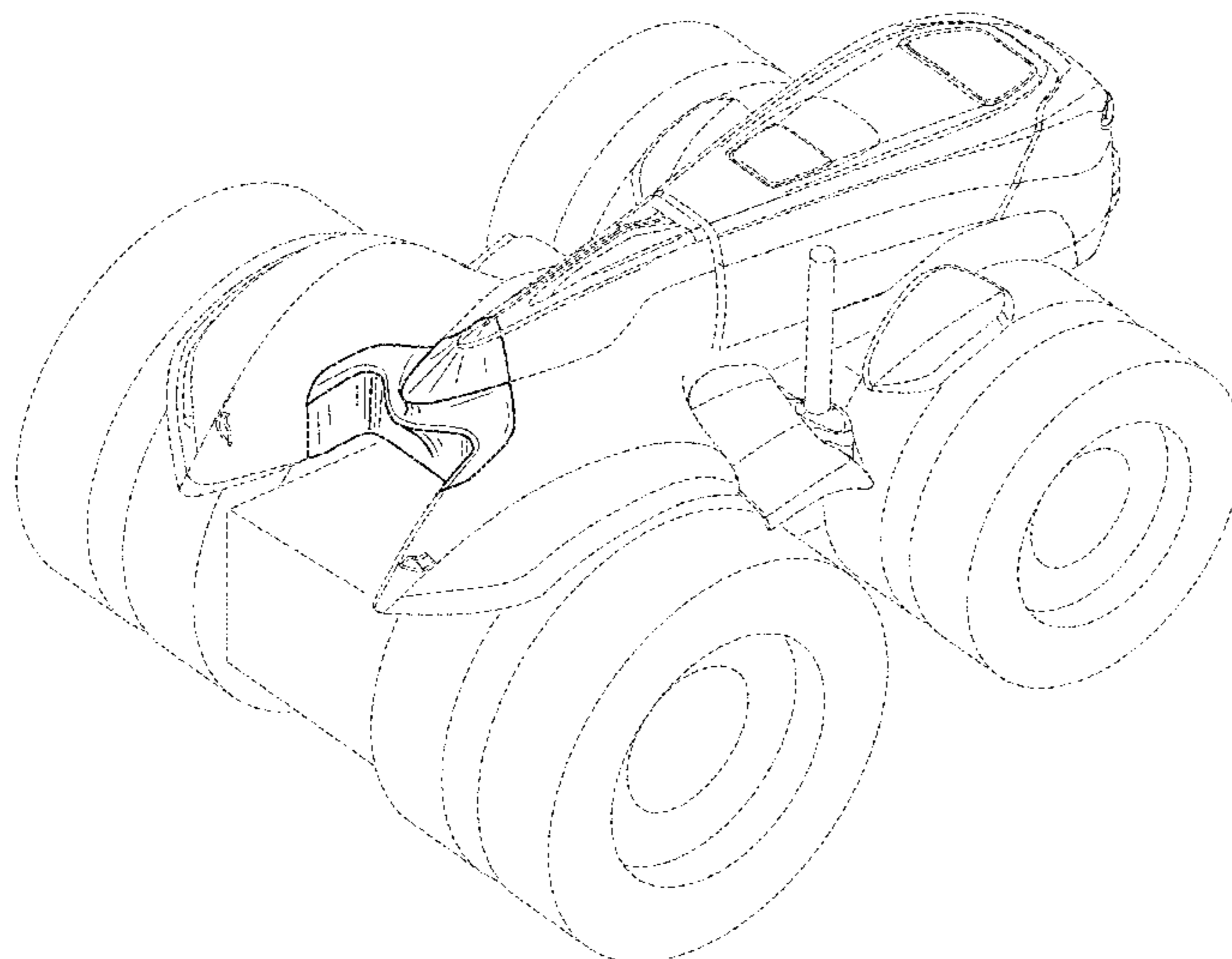
(57) **CLAIM**

The ornamental design for a cover panel of an agricultural work vehicle, substantially as shown and described.

**DESCRIPTION**

FIG. 1 is a front perspective view of a cover panel of an agricultural work vehicle;  
FIG. 2 is a back perspective view of the cover panel;  
FIG. 3 is a top view of the cover panel;  
FIG. 4 is a right side view of the cover panel;  
FIG. 5 is a left side view of the cover panel; and,  
FIG. 6 is a back view of the cover panel.  
Phantom lines, where utilized, are for illustrative purposes only and form no part of the claimed design.

**1 Claim, 6 Drawing Sheets**



(56)

References Cited

OTHER PUBLICATIONS

U.S. PATENT DOCUMENTS

D642,597 S \* 8/2011 Krogh ..... D15/31  
D642,598 S \* 8/2011 Wikner ..... D15/31  
D643,052 S \* 8/2011 Hagele ..... D15/27  
D646,305 S \* 10/2011 Krogh ..... D15/31  
D655,317 S \* 3/2012 Hagele ..... D15/31  
D655,319 S \* 3/2012 Hagele ..... D15/31  
D657,400 S \* 4/2012 Loew ..... D15/20  
D668,694 S \* 10/2012 Tezuka ..... D15/31  
D675,234 S \* 1/2013 Kushita ..... D15/31  
D690,328 S \* 9/2013 Cha ..... D15/31  
D697,536 S \* 1/2014 Nuebel ..... D15/23  
D708,233 S \* 7/2014 Furuki ..... D15/28  
D735,248 S \* 7/2015 Okuyama ..... D15/31  
D735,775 S \* 8/2015 Okuyama ..... D15/31  
D751,611 S \* 3/2016 Smith ..... D15/31  
D757,126 S \* 5/2016 Vaninetti ..... D15/31  
D766,338 S \* 9/2016 Kurokawa ..... D15/31  
D768,210 S \* 10/2016 Jacobsthal ..... D15/31

U.S. Appl. No. 29/567,581, filed Jun. 10, 2016, Dwayne St. George Jackson.  
U.S. Appl. No. 29/567,582, filed Jun. 10, 2016, Dwayne St. George Jackson.  
U.S. Appl. No. 29/567,593, filed Jun. 10, 2016, Dwayne St. George Jackson.  
U.S. Appl. No. 29/567,603, filed Jun. 10, 2016, Dwayne St. George Jackson.  
U.S. Appl. No. 29/567,605, filed Jun. 10, 2016, Dwayne St. George Jackson.  
U.S. Appl. No. 29/567,607, filed Jun. 10, 2016, Dwayne St. George Jackson.  
U.S. Appl. No. 29/567,621, filed Jun. 10, 2016, Dwayne St. George Jackson.  
U.S. Appl. No. 29/567,622, filed Jun. 10, 2016, Dwayne St. George Jackson.  
U.S. Appl. No. 29/567,653, filed Jun. 10, 2016, Frank Zsigmond Asztalos.

\* cited by examiner

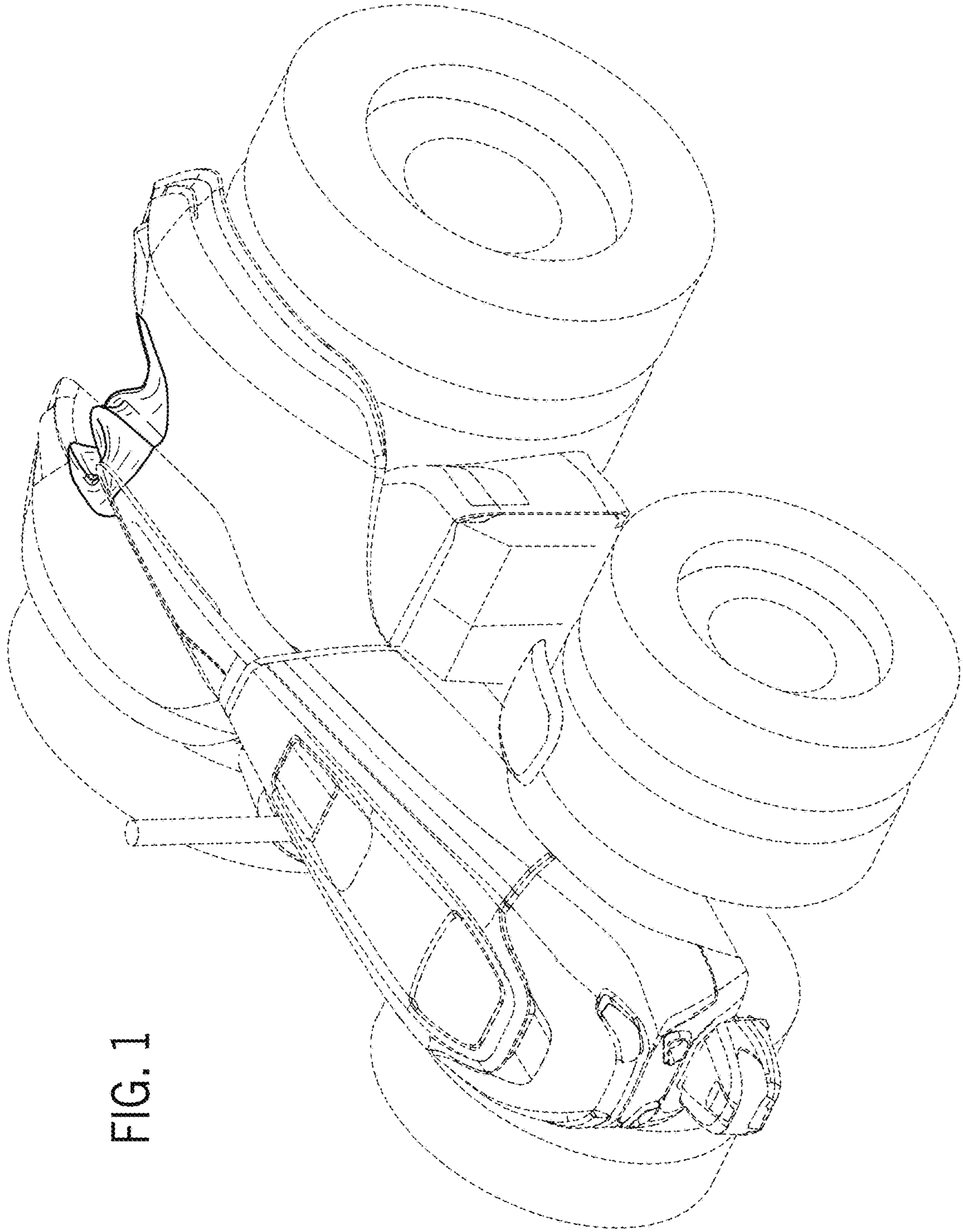


FIG. 1

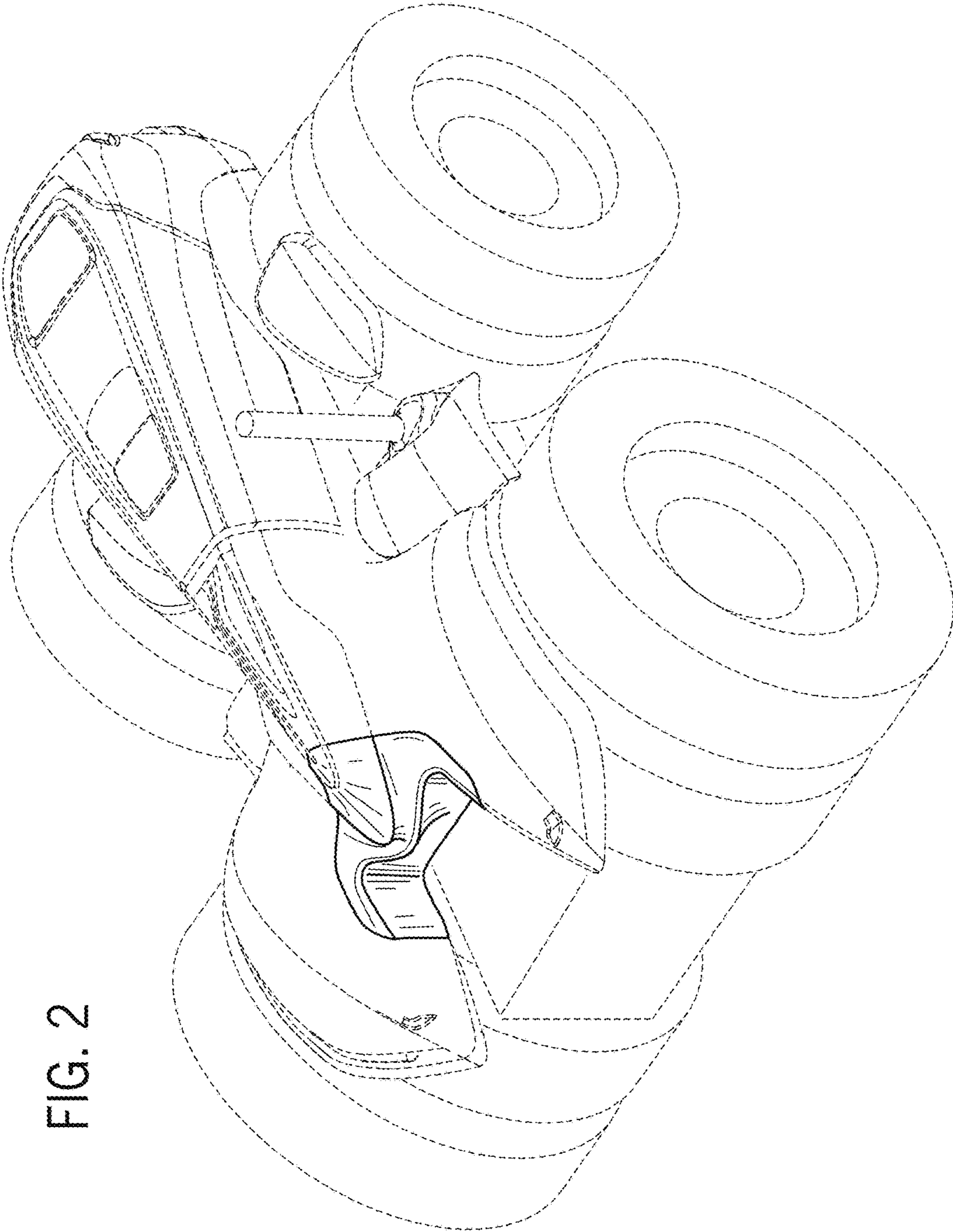


FIG. 2

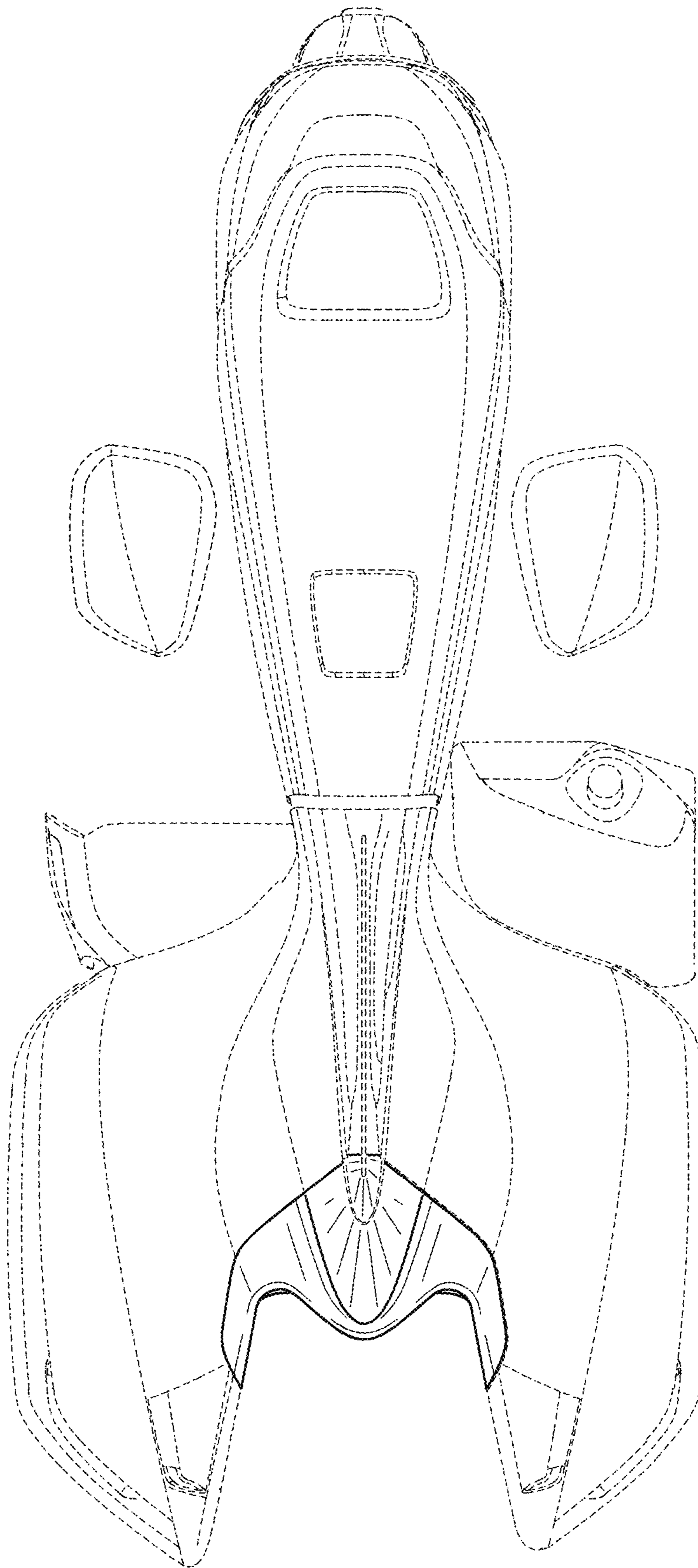


FIG. 3

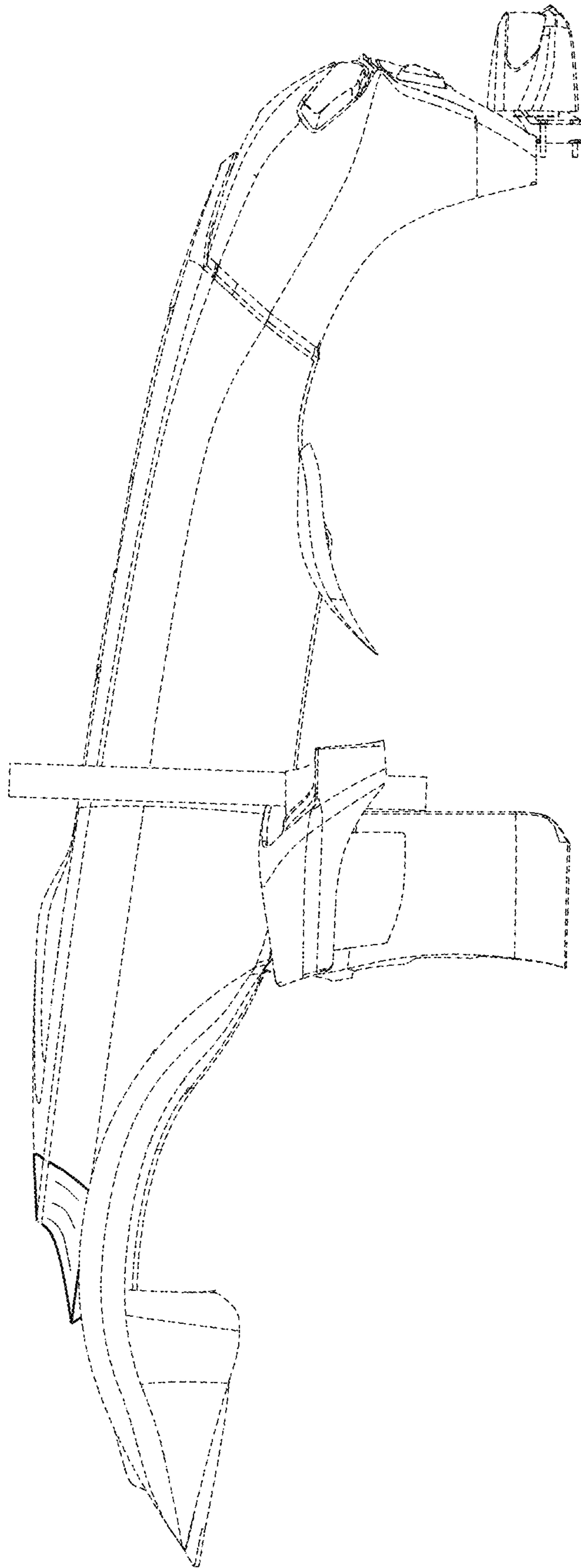


FIG. 4

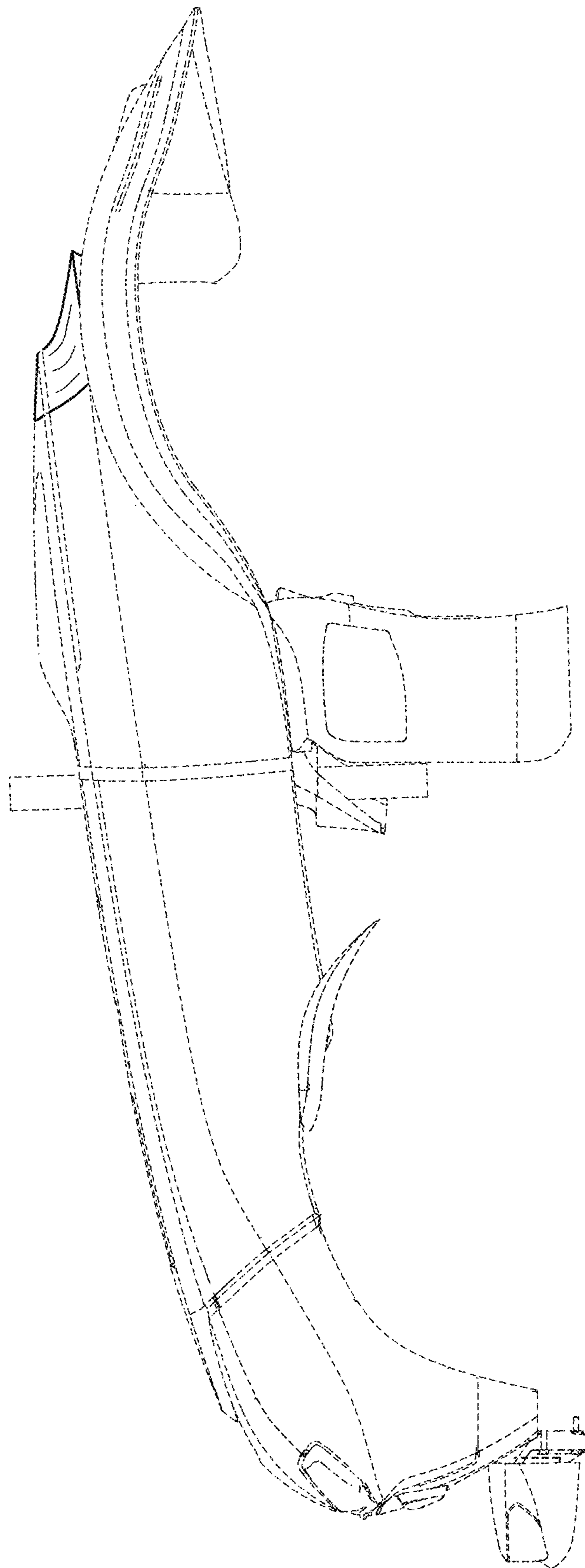


FIG. 5

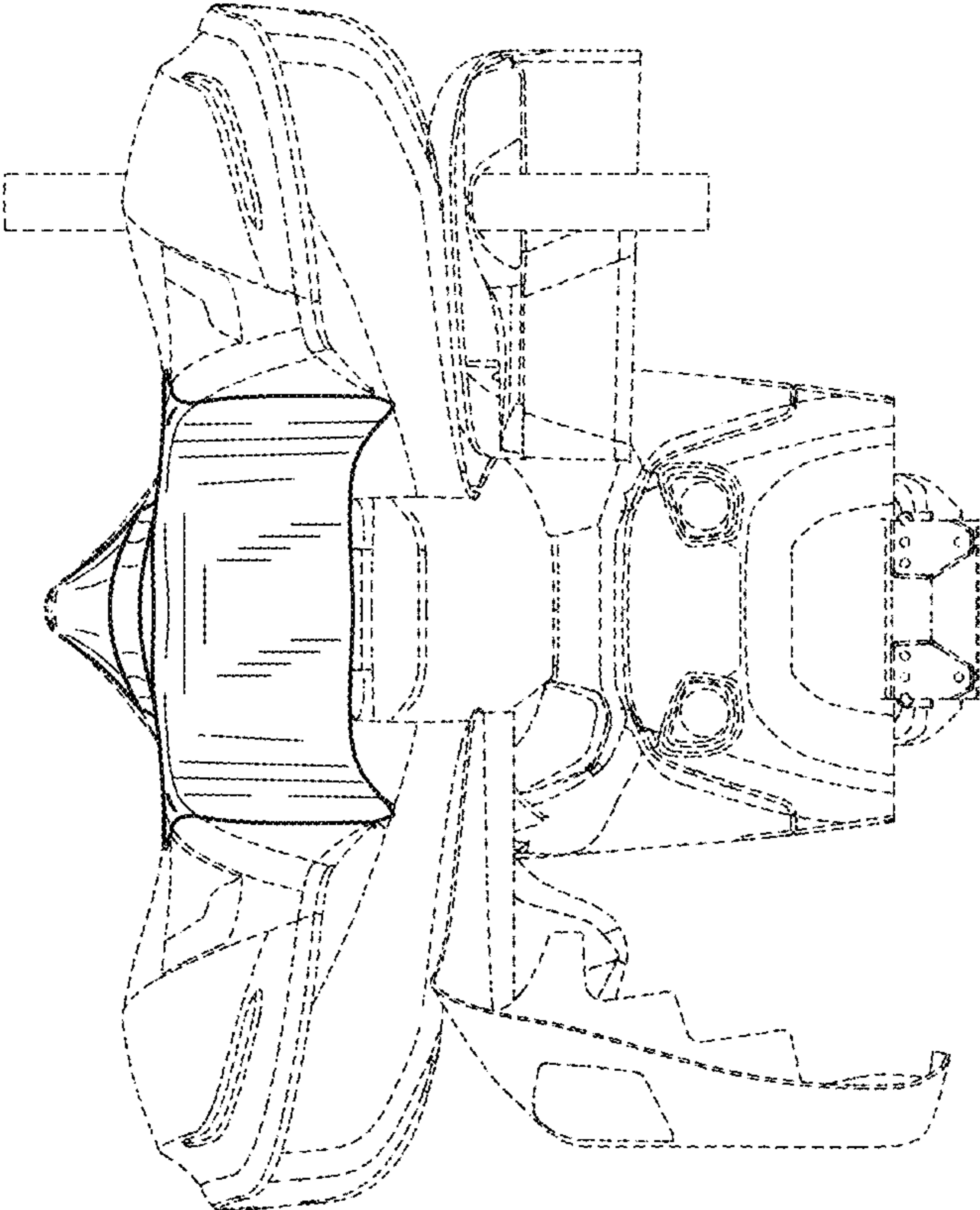


FIG. 6