



US00D788181S

(12) **United States Design Patent** (10) **Patent No.:** **US D788,181 S**
Deleon (45) **Date of Patent:** **** May 30, 2017**

(54) **WHEEL LOADER EXCAVATOR BUCKET WITH BOTTOM MOUNTED RIPPING TEETH**
(71) Applicant: **John Charles Deleon**, Arlington Hts, IL (US)
(72) Inventor: **John Charles Deleon**, Arlington Hts, IL (US)
(**) Term: **15 Years**
(21) Appl. No.: **29/505,997**
(22) Filed: **May 17, 2016**
(51) **LOC (10) Cl.** **15-03**
(52) **U.S. Cl.**
USPC **D15/28; D15/32**
(58) **Field of Classification Search**
USPC **D15/10-33**
CPC **E02F 3/22; E02F 3/40; E02F 3/401; E02F 39/24**
See application file for complete search history.

5,901,480 A * 5/1999 Shamblyn E02F 3/40 37/404
5,984,618 A * 11/1999 Deneve E02F 3/283 414/697
D425,527 S * 5/2000 Deyo D15/32
6,209,236 B1 * 4/2001 Omann A01B 43/00 37/405
6,360,458 B2 * 3/2002 Dolister A01B 45/02 172/252
D538,307 S * 3/2007 Matsumoto D15/32
D590,846 S * 4/2009 Kinsinger D15/22
8,069,591 B2 * 12/2011 Dunn A01D 87/0076 37/406
D693,853 S * 11/2013 Hiraoka D15/23
D748,157 S * 1/2016 Phillips D15/32
D752,655 S * 3/2016 Morinaga D15/28
2015/0275467 A1 * 10/2015 Hall E02F 3/40 37/444

(Continued)

Primary Examiner — Mark Goodwin

(57) **CLAIM**

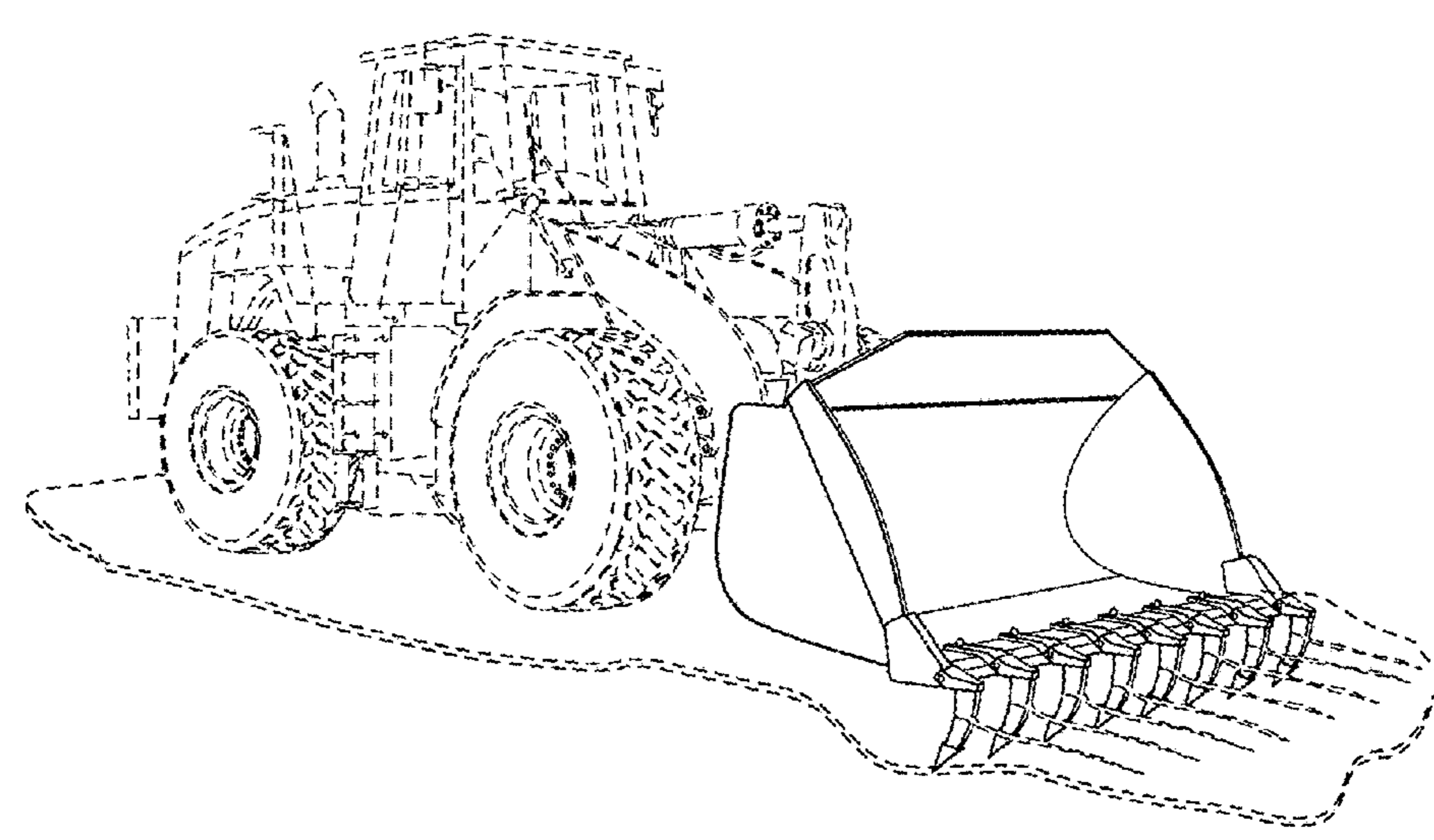
The ornamental design for a wheel loader excavator bucket with bottom mounted ripping teeth, as shown and described.

DESCRIPTION

FIG. 1 is a front perspective view of a wheel loader excavator bucket with bottom mounted ripping teeth showing my new design;
FIG. 2 is a front view thereof;
FIG. 3 is a back view thereof;
FIG. 4 is a left side view thereof;
FIG. 5 is a top view thereof;
FIG. 6 is a bottom view thereof;
FIG. 7 is a right side view thereof; and,
FIG. 8 is another side view perspective thereof.
The broken lines showing of the excavator and the ground is included for the purpose of illustrating environmental structure only and forms no part of the claimed design.

1 Claim, 4 Drawing Sheets

(56) **References Cited**
U.S. PATENT DOCUMENTS
3,706,388 A * 12/1972 Westendorf E02F 3/401 37/405
3,834,567 A * 9/1974 Miller E02F 3/401 37/405
3,972,147 A * 8/1976 Bigham E02F 3/404 414/722
4,056,205 A * 11/1977 Etzler, IV A01D 87/127 37/403
4,523,397 A * 6/1985 Lucas E02F 3/401 37/444
D357,260 S * 4/1995 Kallen D15/32
D358,157 S * 5/1995 Kusunoki D15/25
5,425,189 A * 6/1995 Anderson E02F 9/2816 37/403



(56)

References Cited

U.S. PATENT DOCUMENTS

2016/0177537 A1* 6/2016 Krell E02F 3/404
37/444

* cited by examiner

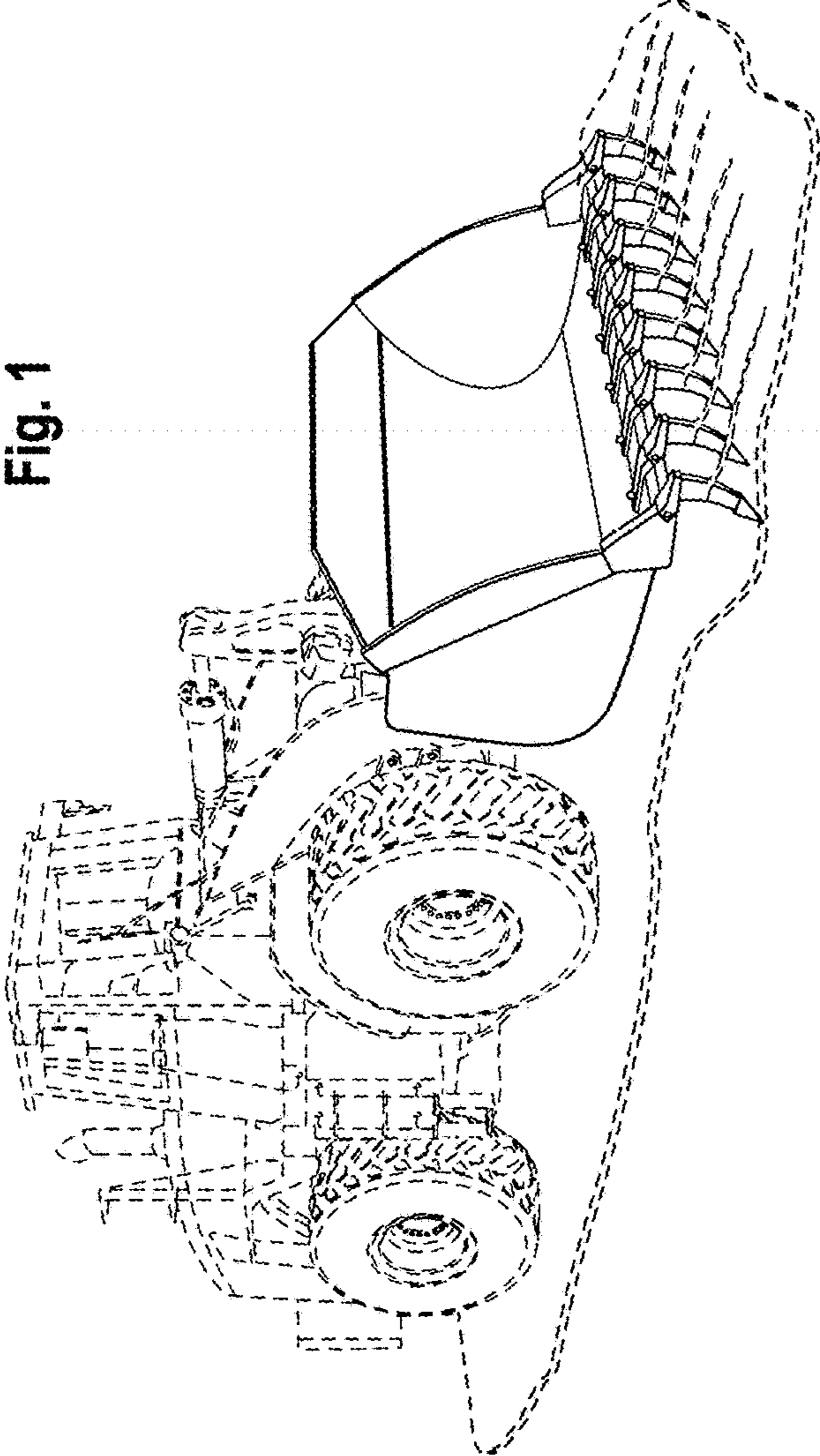


Fig. 1

Fig. 2

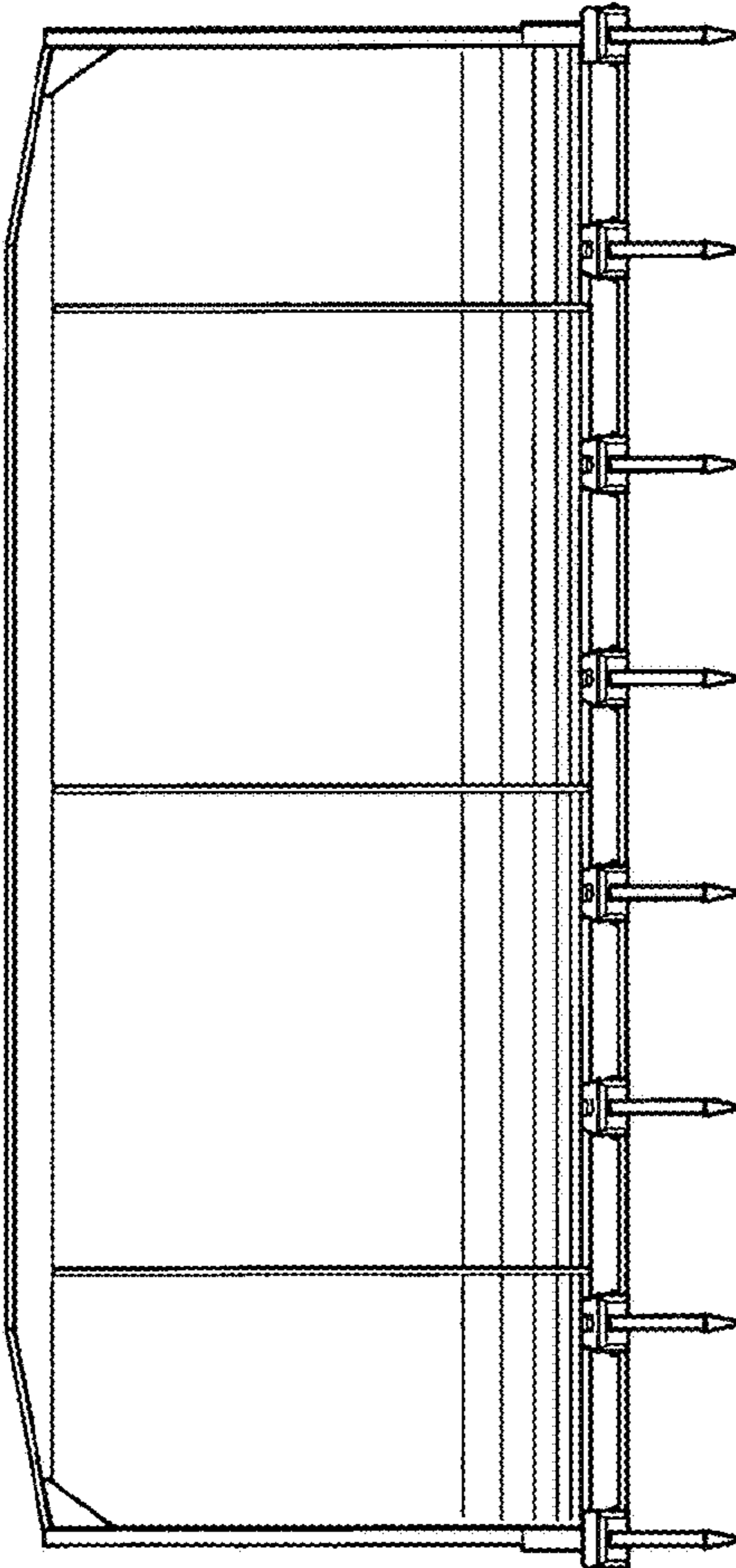


Fig. 3

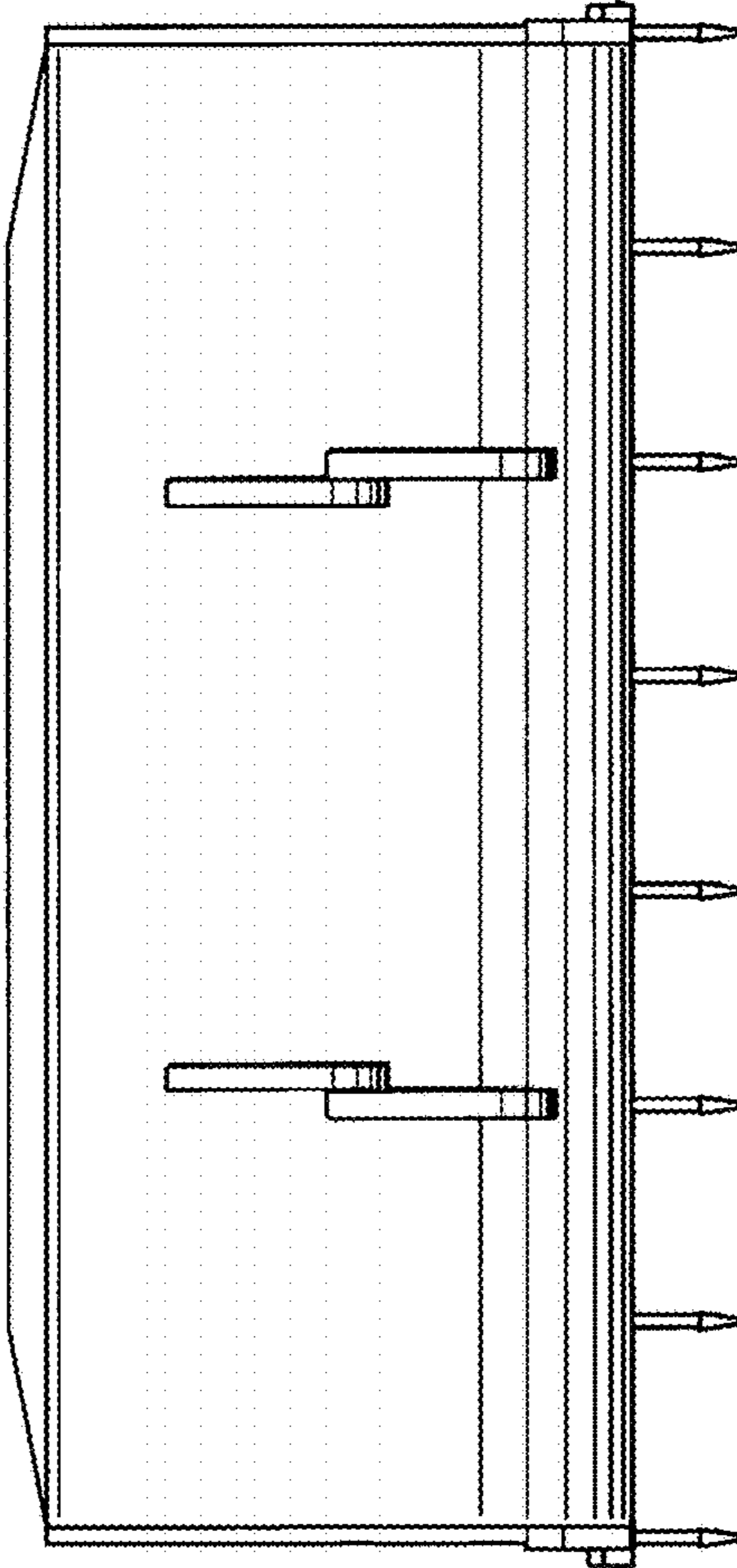
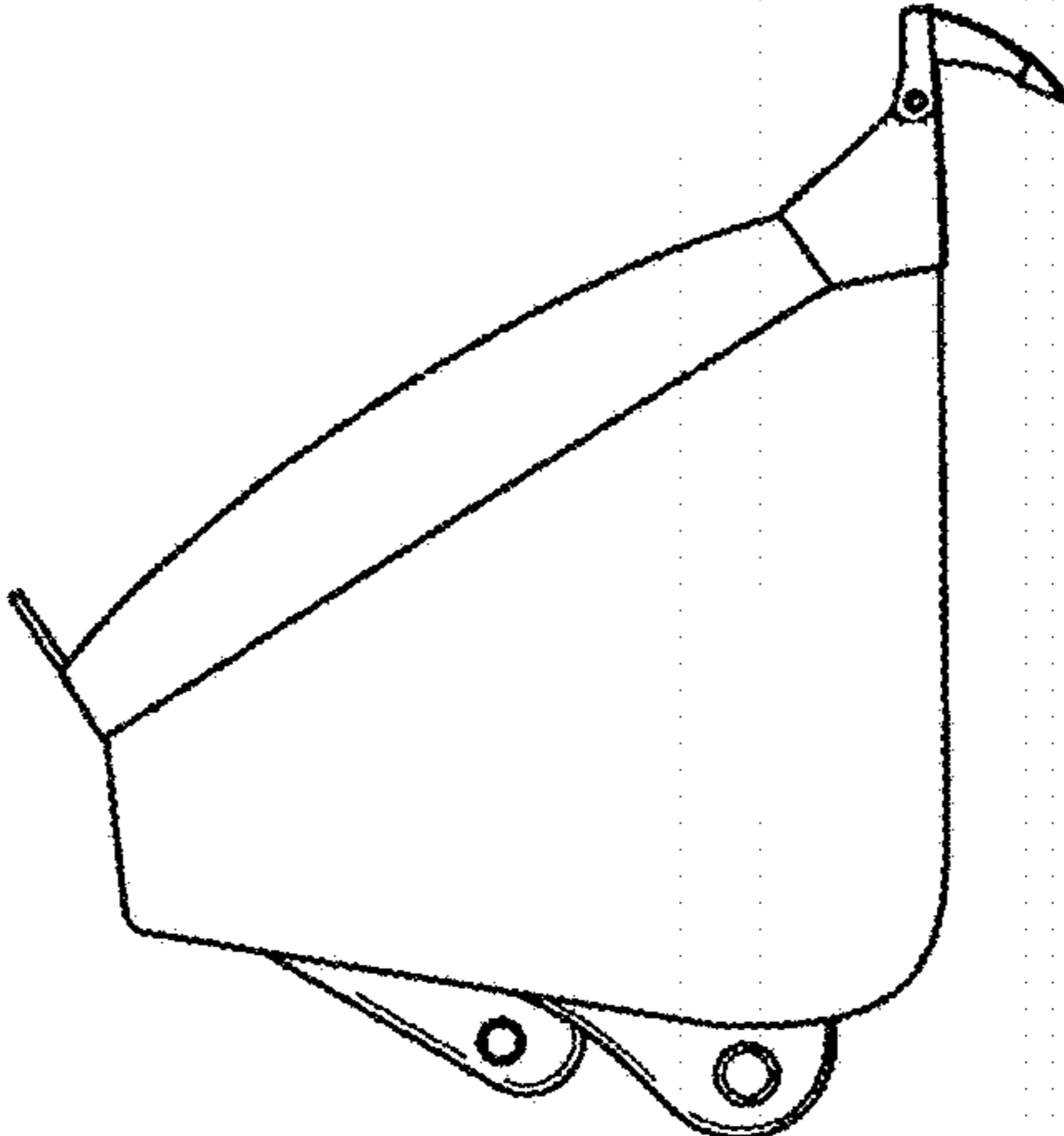


Fig. 4



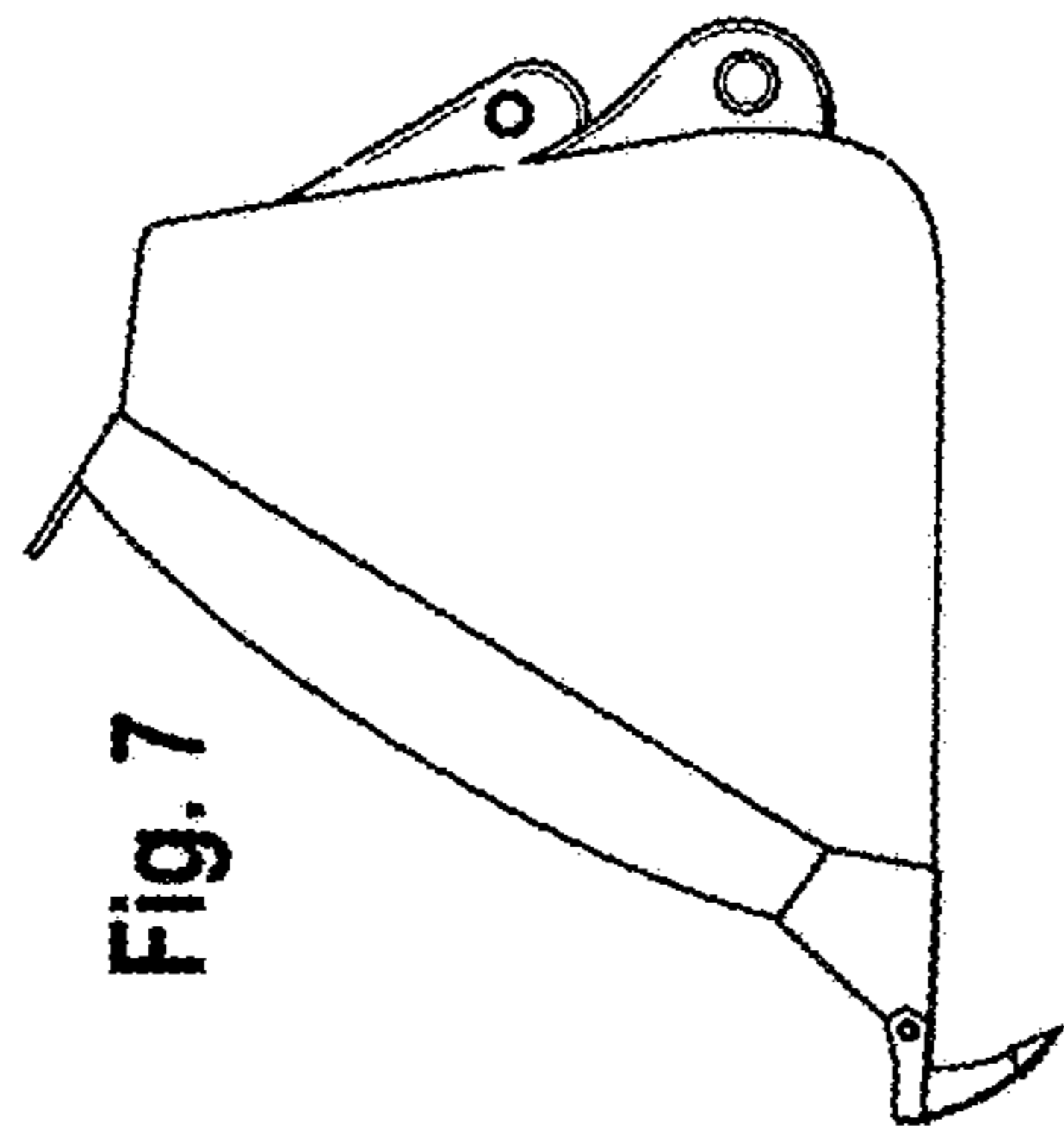
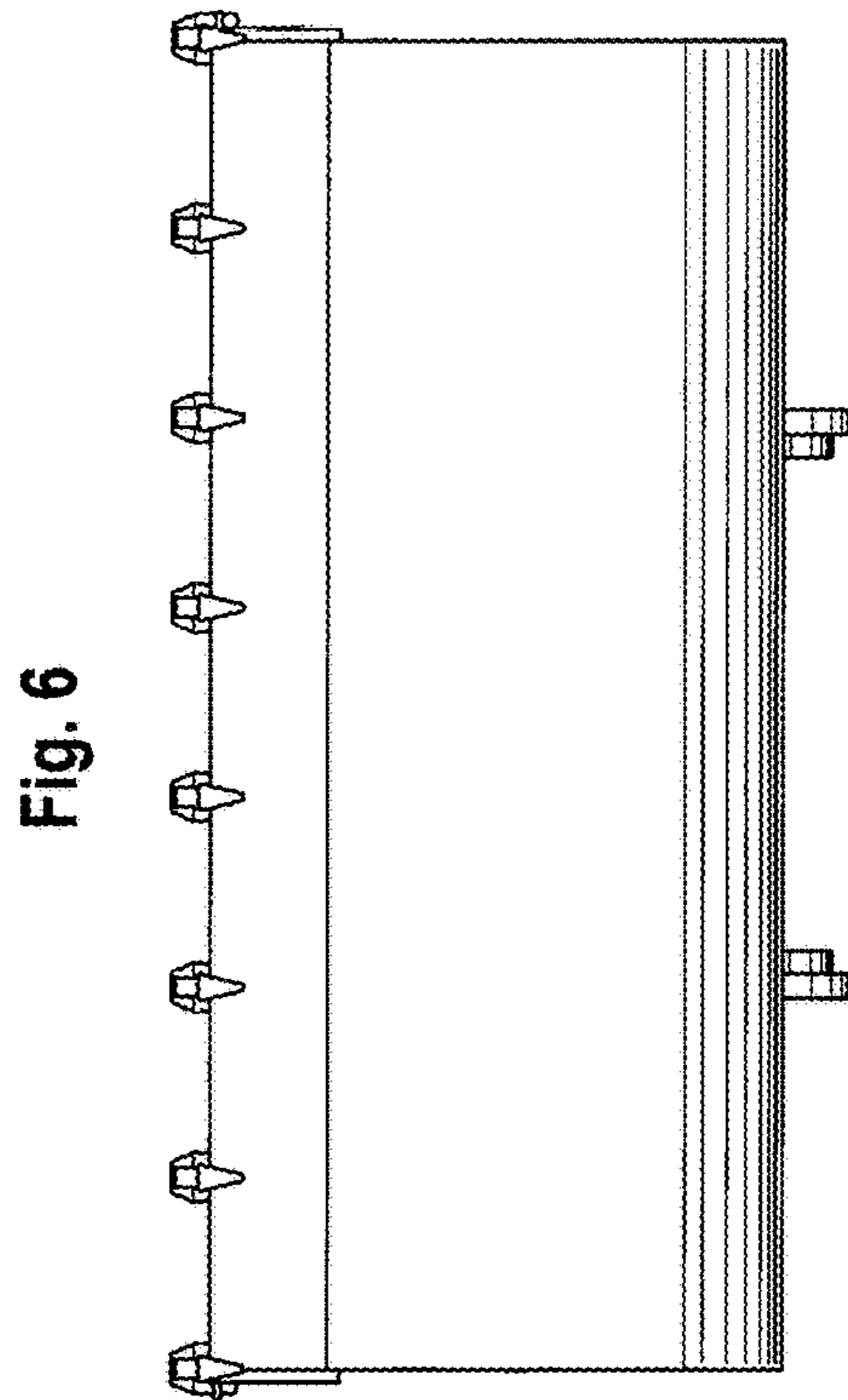
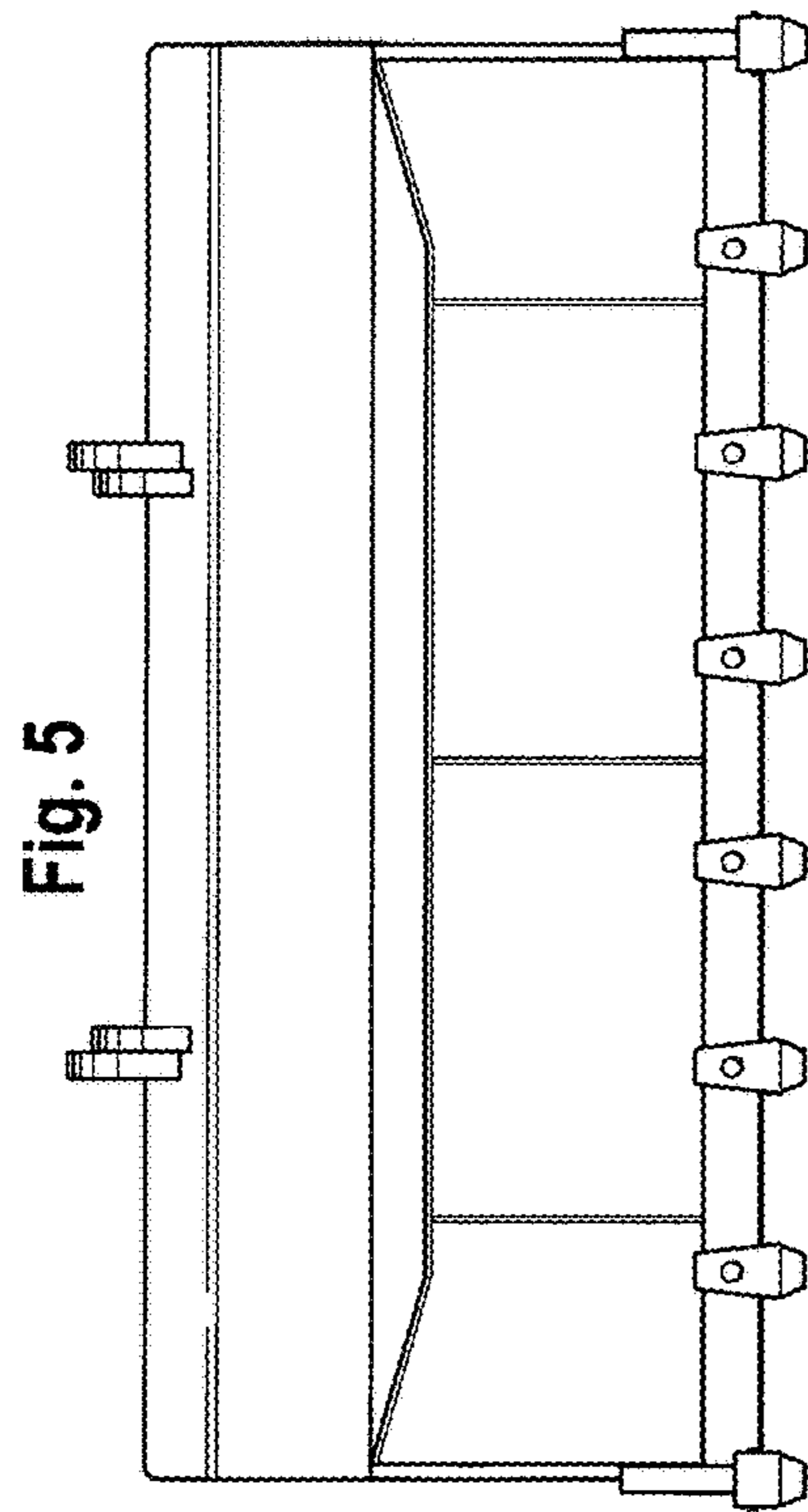


Fig. 7

Fig. 8

