



US00D788178S

(12) **United States Design Patent** (10) **Patent No.:** **US D788,178 S**  
**Theiss** (45) **Date of Patent:** **\*\* May 30, 2017**

(54) **FRONT COVER PORTION OF A POSITIVE DISPLACEMENT PUMP ASSEMBLY**

D719,192 S \* 12/2014 Schlenker ..... D15/7  
D725,153 S \* 3/2015 Berry ..... D15/7  
D745,058 S \* 12/2015 Iversen ..... D15/7  
D763,322 S \* 8/2016 Haugaard ..... D15/7

(71) Applicant: **Watson Marlow GmbH**, Ilsfeld (DE)

(72) Inventor: **Peter Theiss**, Stuttgart (DE)

(73) Assignee: **Watson Marlow GmbH**, Ilsfeld (DE)

(\*\*) Term: **15 Years**

(21) Appl. No.: **29/557,378**

(22) Filed: **Mar. 8, 2016**

(30) **Foreign Application Priority Data**

Sep. 9, 2015 (EM) ..... 002769489

(51) **LOC (10) Cl.** ..... **15-02**

(52) **U.S. Cl.**  
USPC ..... **D15/7**

(58) **Field of Classification Search**

USPC ..... D15/7-9; D23/231, 232, 225; 417/60,  
417/235, 265, 321, 355, 358, 363, 359,  
417/410.1, 415-416, 405, 900, 269, 539;  
60/408, 412; 184/26-37; 415/140-147;  
123/495, 509; 137/565.34  
CPC ..... F02M 37/04; F02M 37/14; F04B 53/92;  
F04B 1/005

See application file for complete search history.

(56) **References Cited**

**U.S. PATENT DOCUMENTS**

D229,236 S \* 11/1973 Doolin ..... D15/7  
D613,635 S \* 4/2010 Chu ..... D15/9  
D650,813 S \* 12/2011 Varini ..... D15/7  
D657,799 S \* 4/2012 Jung ..... D15/7  
D660,320 S \* 5/2012 Varini ..... D15/7  
D668,684 S \* 10/2012 Noguchi ..... D15/9  
D672,787 S \* 12/2012 Soderstrom ..... D15/7

**FOREIGN PATENT DOCUMENTS**

RU 67820 S U1 11/2007  
TW D158574 1/2014

**OTHER PUBLICATIONS**

Notice of Allowance for Russian Application No. 2016500807/49 dated Mar. 4, 2016.

Notice of Allowance for the Taiwanese Application No. 105301186 dated Jun. 29, 2016.

\* cited by examiner

*Primary Examiner* — Ralf Seifert

(74) *Attorney, Agent, or Firm* — Honigman Miller Schwartz and Cohn LLP

(57) **CLAIM**

The ornamental design for a front cover portion of a positive displacement pump assembly, as shown and described.

**DESCRIPTION**

FIG. 1 is a front/right side isometric view of a front cover portion of a positive displacement pump assembly showing my new design;

FIG. 2 is a front elevational view;

FIG. 3 is a rear elevational view;

FIG. 4 is a right side elevational view;

FIG. 5 is a left side elevational view;

FIG. 6 is a top plan view of; and,

FIG. 7 is a bottom plan view.

The broken line showing of elements is included for the purpose of illustrating environmental matter and forms no part of the claimed design.

**1 Claim, 7 Drawing Sheets**

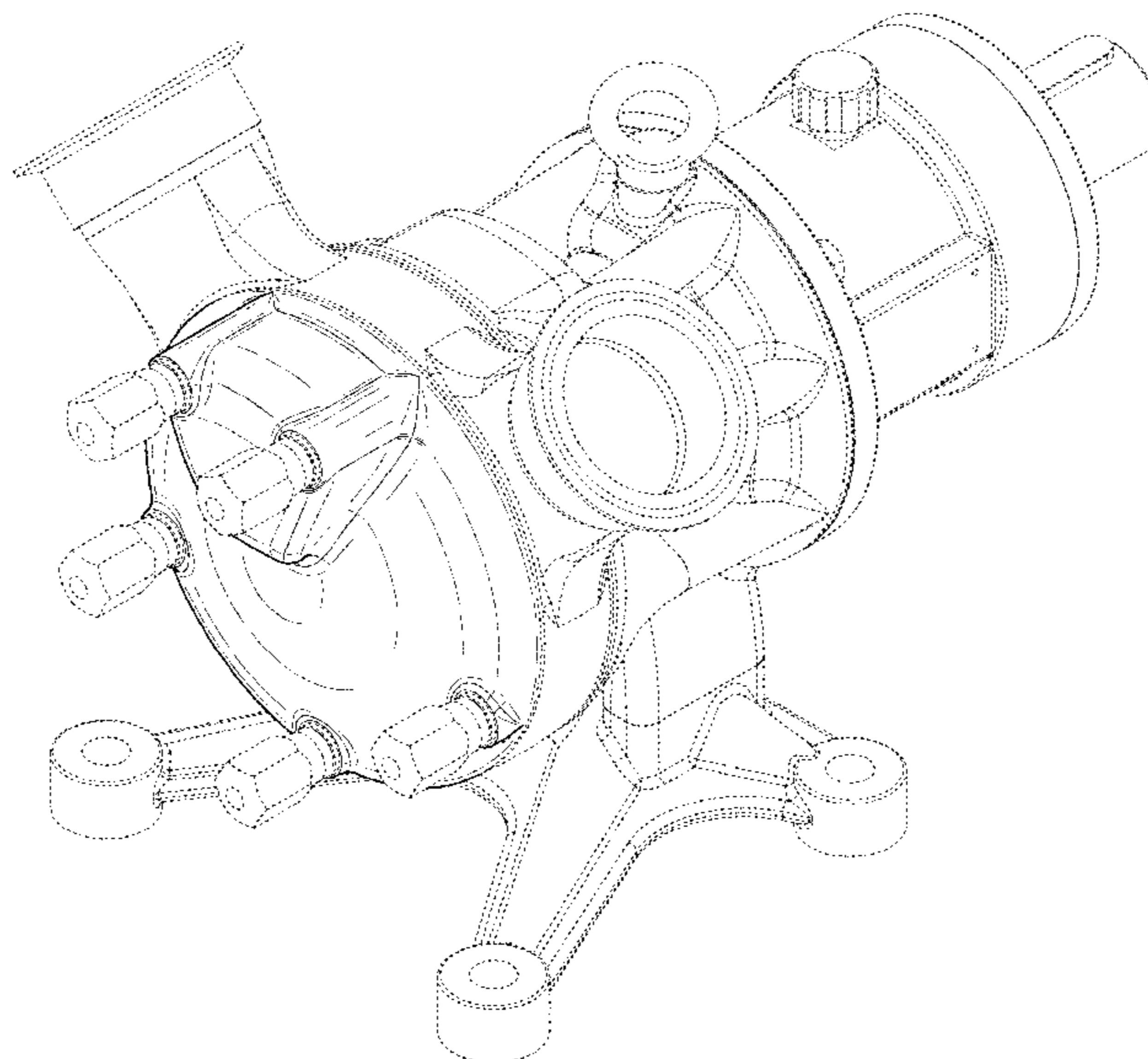
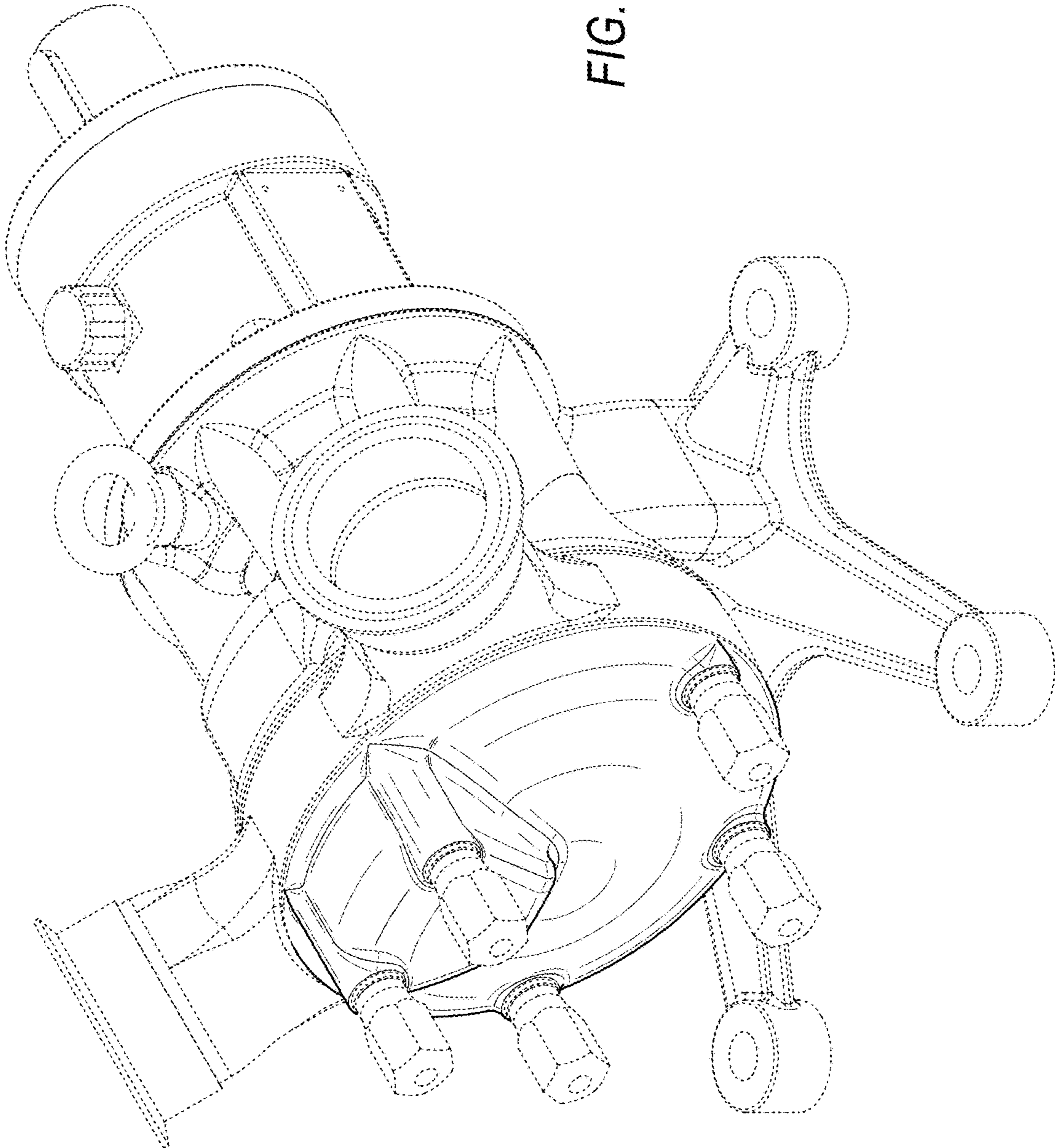


FIG. 1



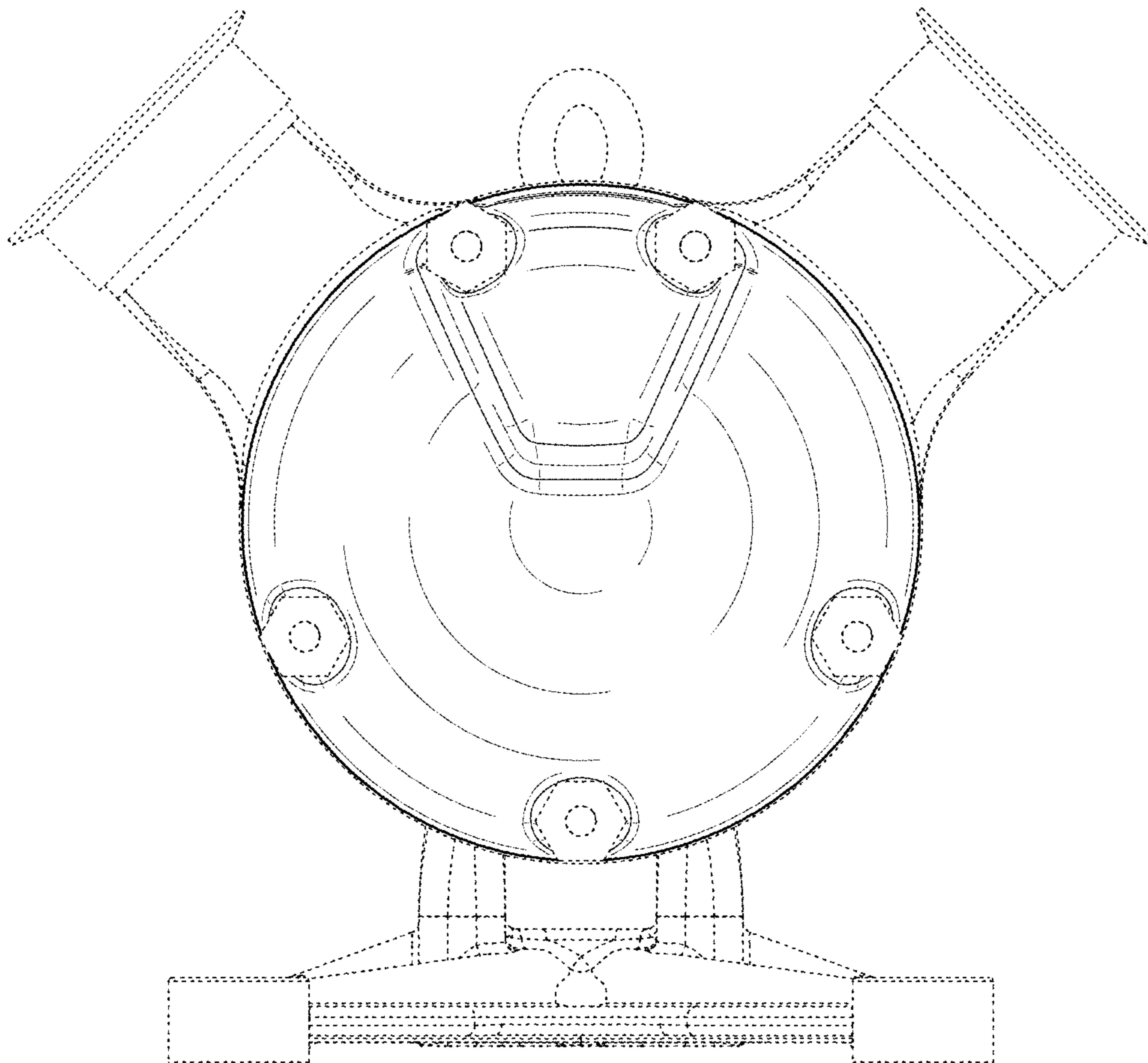


FIG. 2

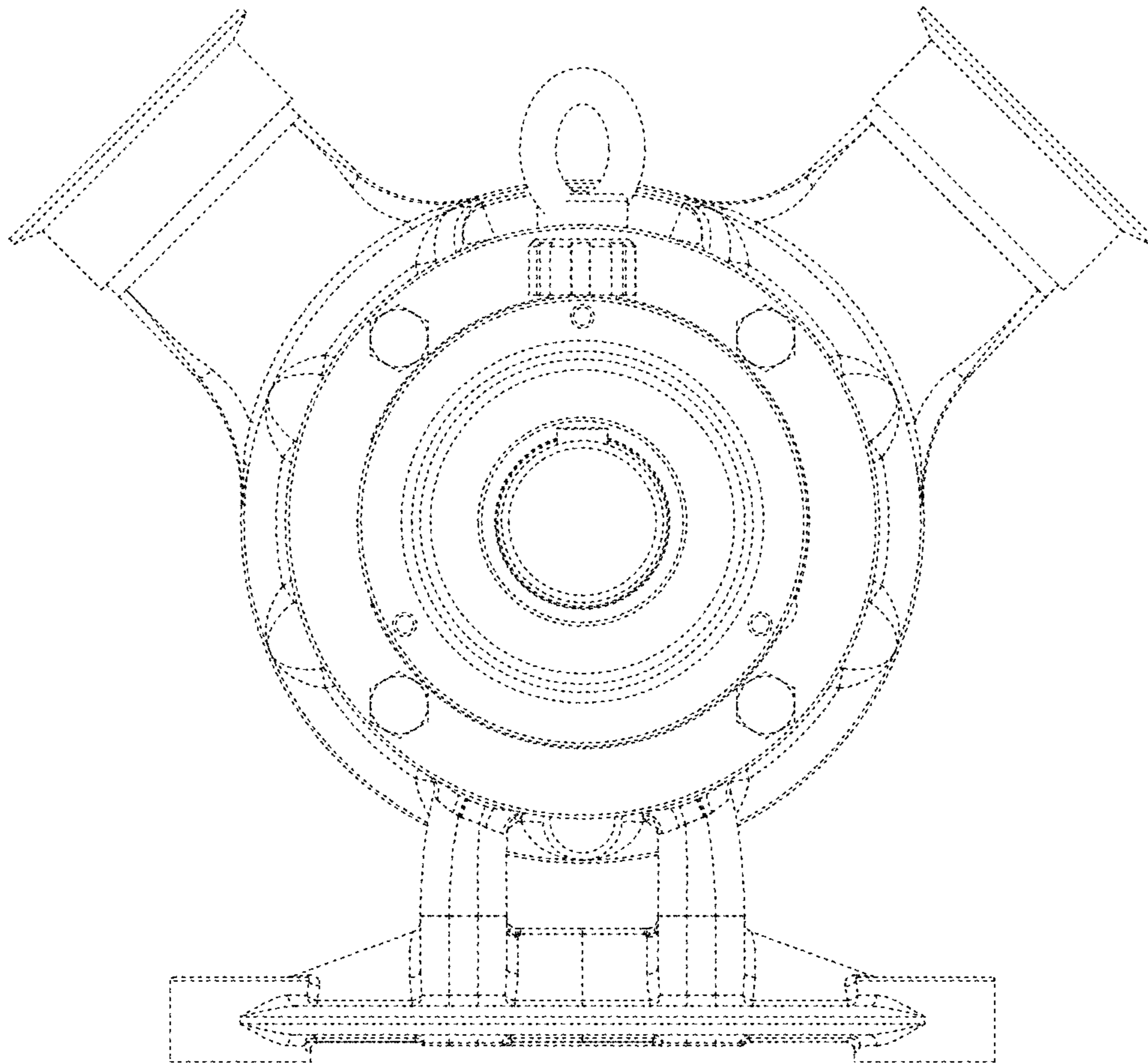


FIG. 3

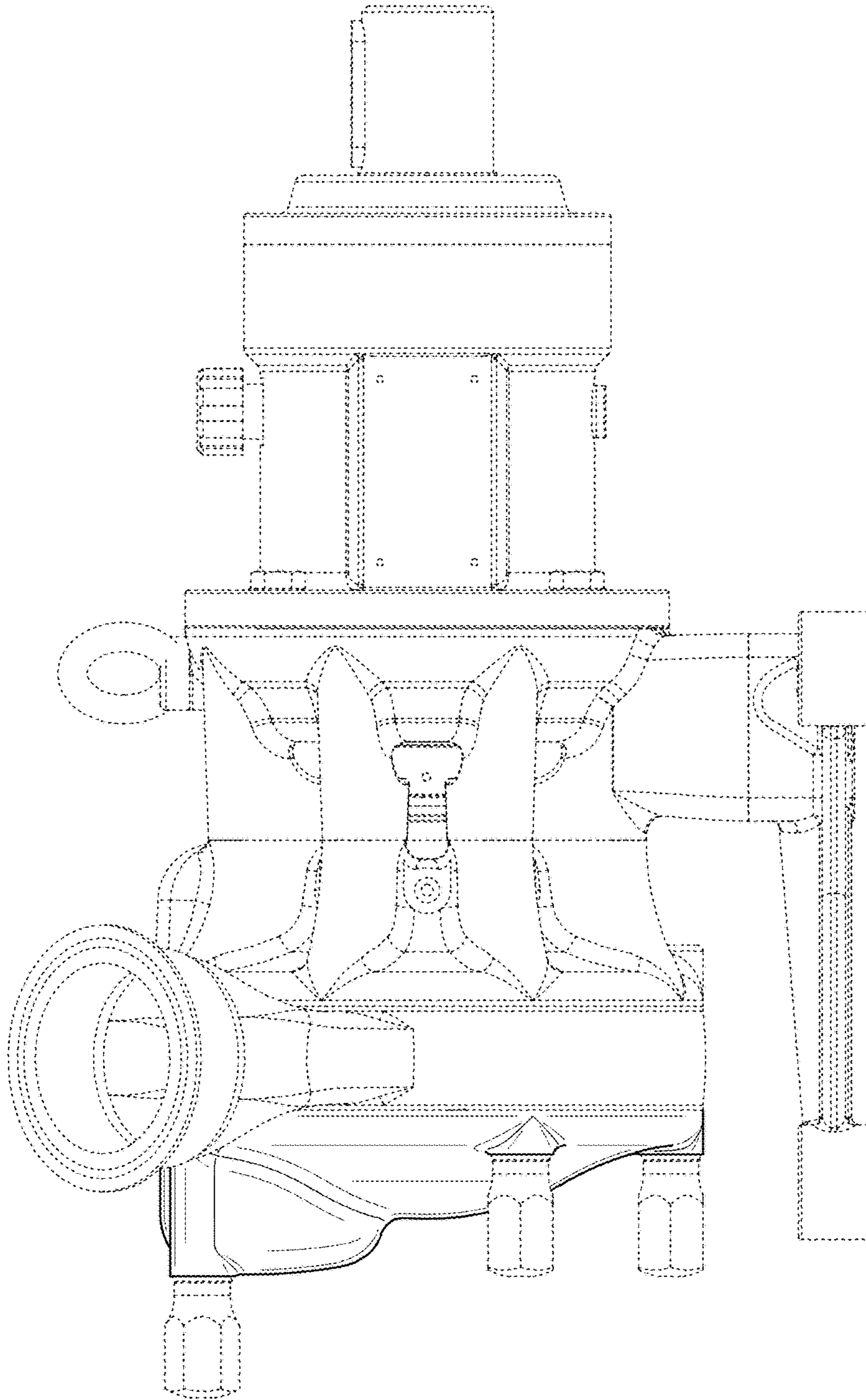


FIG. 4

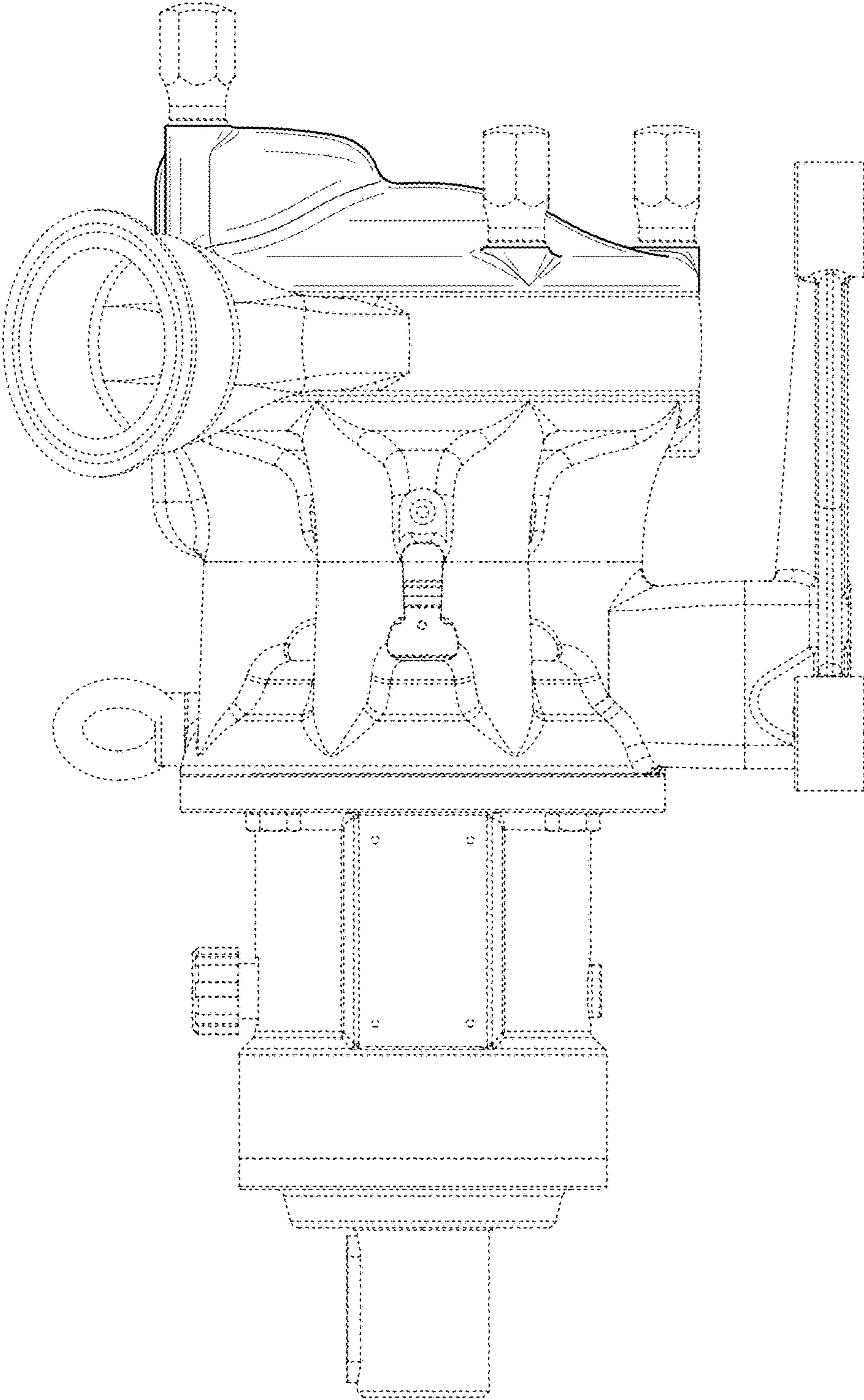


FIG. 5

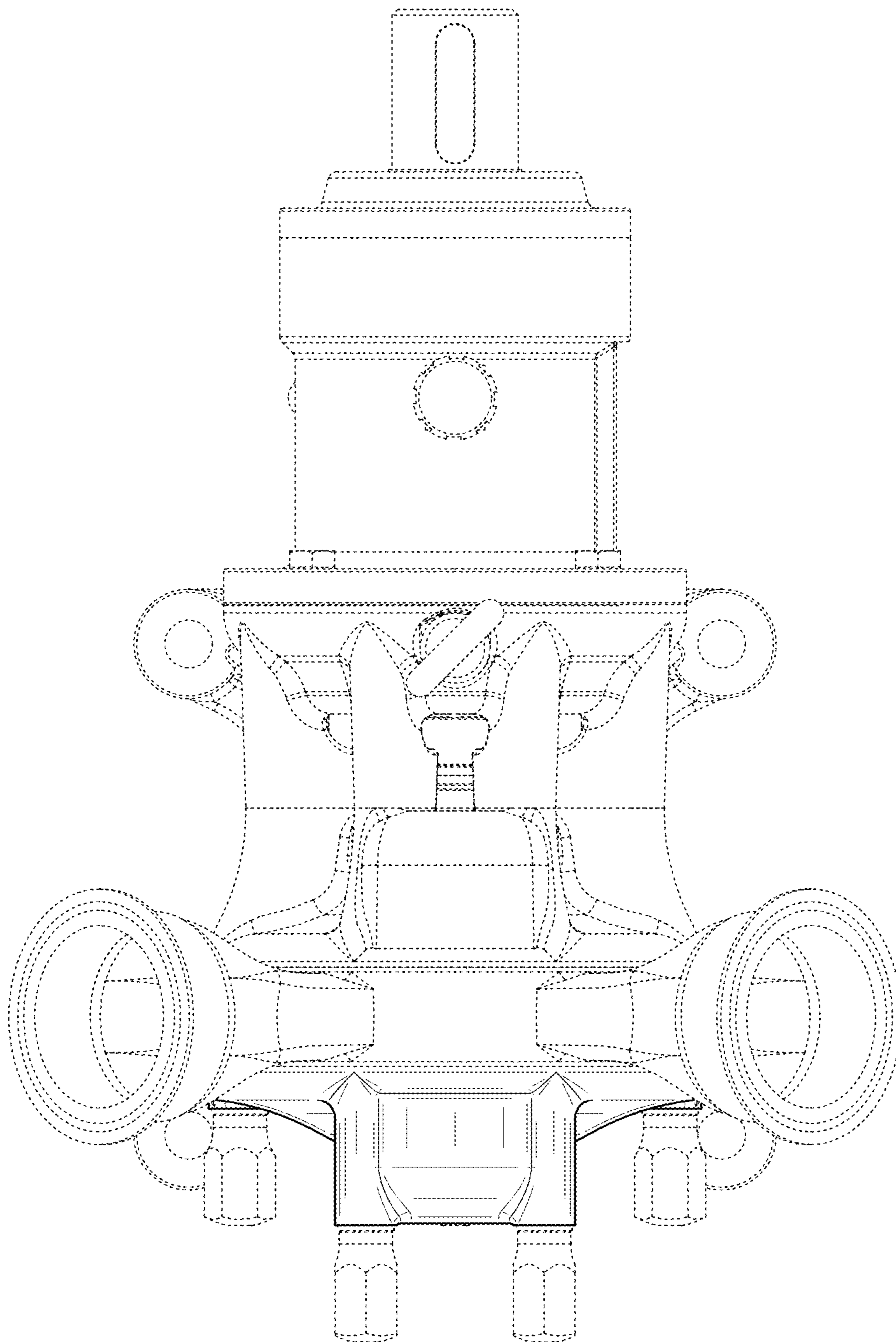


FIG. 6

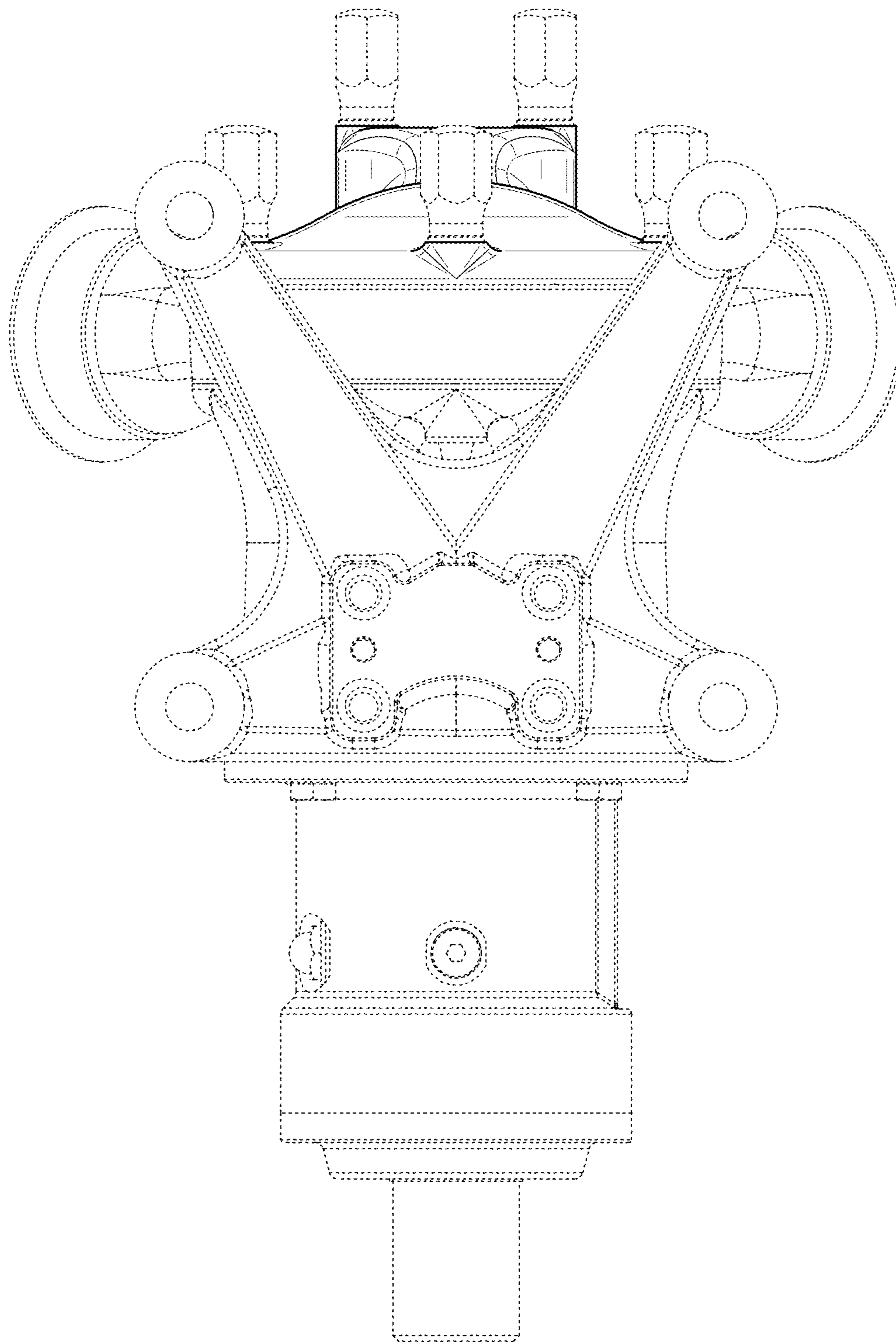


FIG. 7