



US00D788176S

(12) **United States Design Patent**  
**Northrop et al.**

(10) **Patent No.:** **US D788,176 S**  
(45) **Date of Patent:** **\*\* May 30, 2017**

- (54) **SUPERCHARGER HOUSING**
- (71) Applicant: **Eaton Corporation**, Cleveland, OH (US)
- (72) Inventors: **Kurt Northrop**, Kalamazoo, MI (US);  
**Daniel Ouwenga**, Portage, MI (US)
- (73) Assignee: **Eaton Corporation**, Cleveland, OH (US)

8,096,288 B2 \* 1/2012 Ouwenga ..... F04C 18/12  
123/559.1  
8,419,399 B2 \* 4/2013 Kaplan ..... F02B 33/38  
123/559.1  
D718,043 S \* 11/2014 Hamburger ..... D3/5  
8,932,033 B2 \* 1/2015 Ouwenga ..... F01C 11/008  
417/410.3  
D732,081 S \* 6/2015 Northrop ..... D15/4  
2014/0017101 A1 \* 1/2014 Staley ..... F02B 33/38  
417/319

- (\*\*) Term: **15 Years**
- (21) Appl. No.: **29/574,357**
- (22) Filed: **Aug. 15, 2016**

\* cited by examiner

*Primary Examiner* — T. Chase Nelson  
*Assistant Examiner* — Ania Aman  
(74) *Attorney, Agent, or Firm* — Remarck Law Group PLC

**Related U.S. Application Data**

- (63) Continuation of application No. 29/495,321, filed on Jun. 30, 2014, now Pat. No. Des. 765,141, which is a continuation of application No. 29/480,271, filed on Jan. 24, 2014, now Pat. No. Des. 732,081.
- (51) **LOC (10) Cl.** ..... **15-01**
- (52) **U.S. Cl.**  
USPC ..... **D15/5**
- (58) **Field of Classification Search**  
USPC ..... D15/1–6; 123/559.1, 563; 415/17.4,  
415/319, 139, 201.1, 206.1; 60/599, 611  
See application file for complete search history.

(57) **CLAIM**

The ornamental design for a supercharger housing, as shown and described.

**DESCRIPTION**

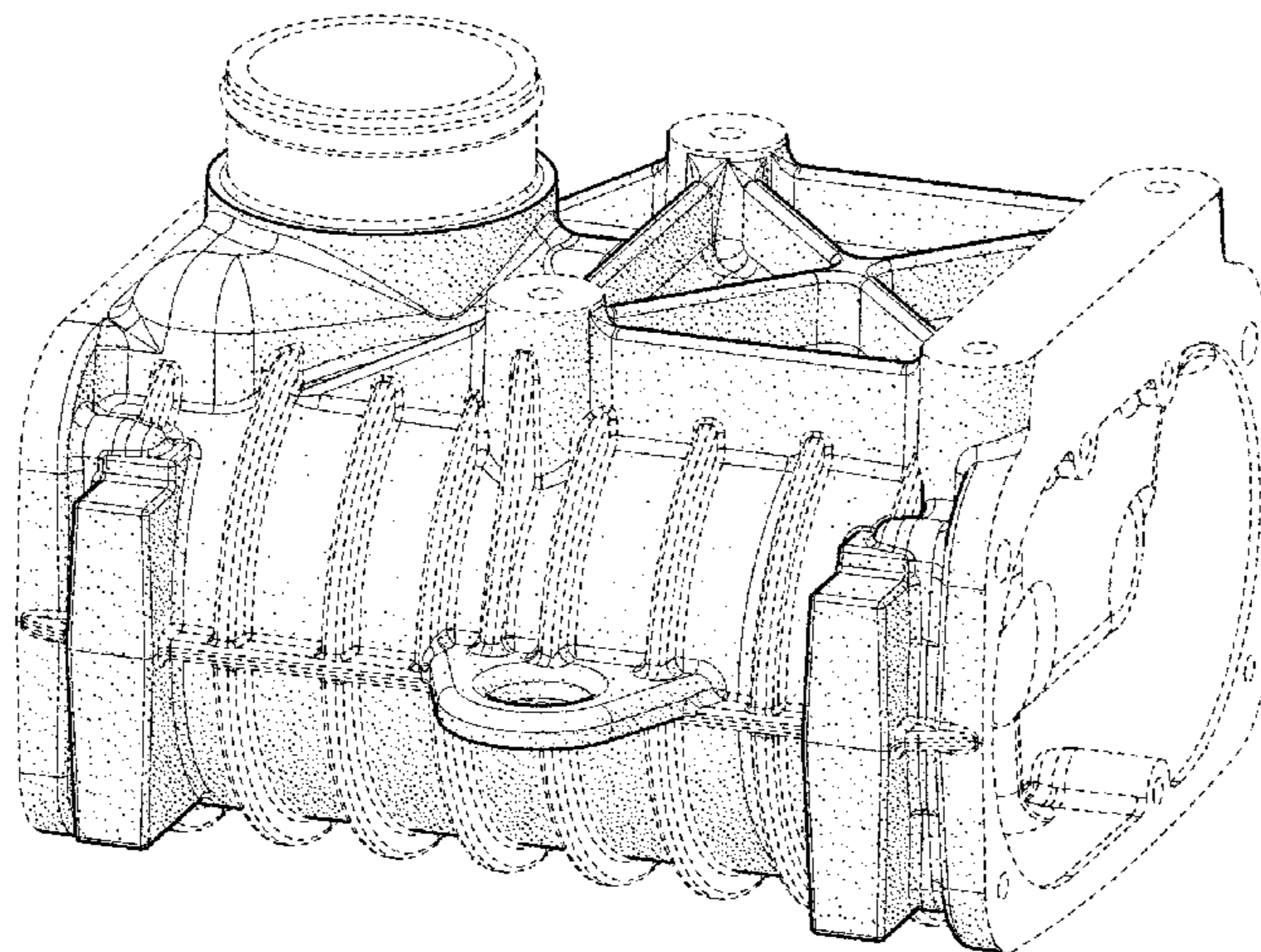
FIG. 1 is a perspective view of a supercharger housing showing the new design.  
FIG. 2 is a rear view of the supercharger housing of FIG. 1.  
FIG. 3 is a front view of the supercharger housing of FIG. 1.  
FIG. 4 is a top plan view of the supercharger housing of FIG. 1.  
FIG. 5 is a bottom plan view of the supercharger housing of FIG. 1.  
FIG. 6 is a first side view of the supercharger housing of FIG. 1; and,  
FIG. 7 is a second side view of the supercharger housing of FIG. 1.  
Any portion of the supercharger housing shown in broken lines is for the purpose of illustrating environmental structure and forms no part of the claimed design.  
The broken line showing portions of the supercharger housing form no part of the claimed design.

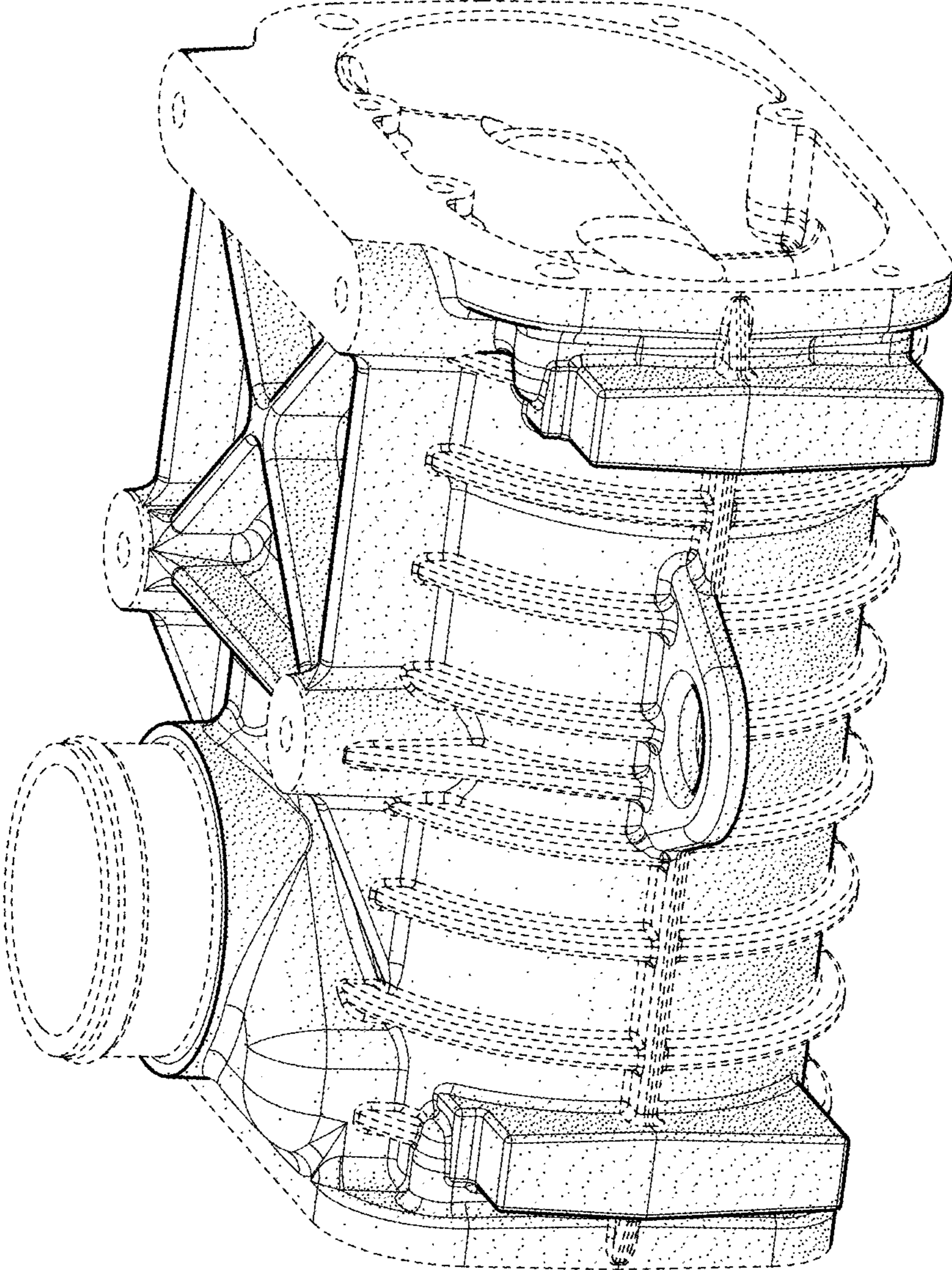
(56) **References Cited**

**U.S. PATENT DOCUMENTS**

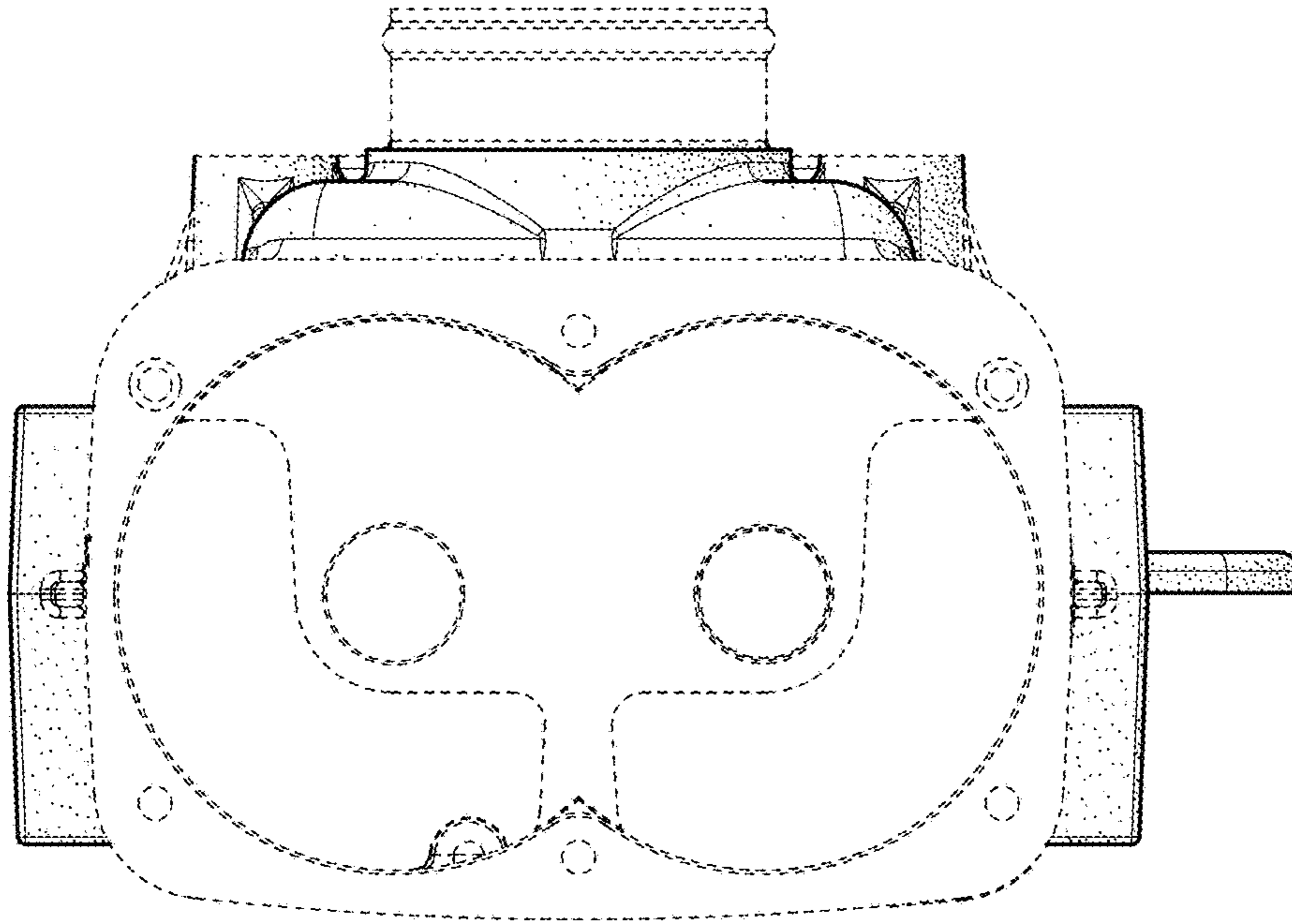
- 5,083,907 A \* 1/1992 Brownell ..... F04C 29/12  
417/440
- 7,488,164 B2 \* 2/2009 Swartzlander ..... F04C 18/084  
418/196
- 7,866,966 B2 \* 1/2011 Swartzlander ..... F04C 18/084  
418/191
- 8,056,543 B2 \* 11/2011 Prior ..... F02B 33/38  
123/559.1

**1 Claim, 6 Drawing Sheets**

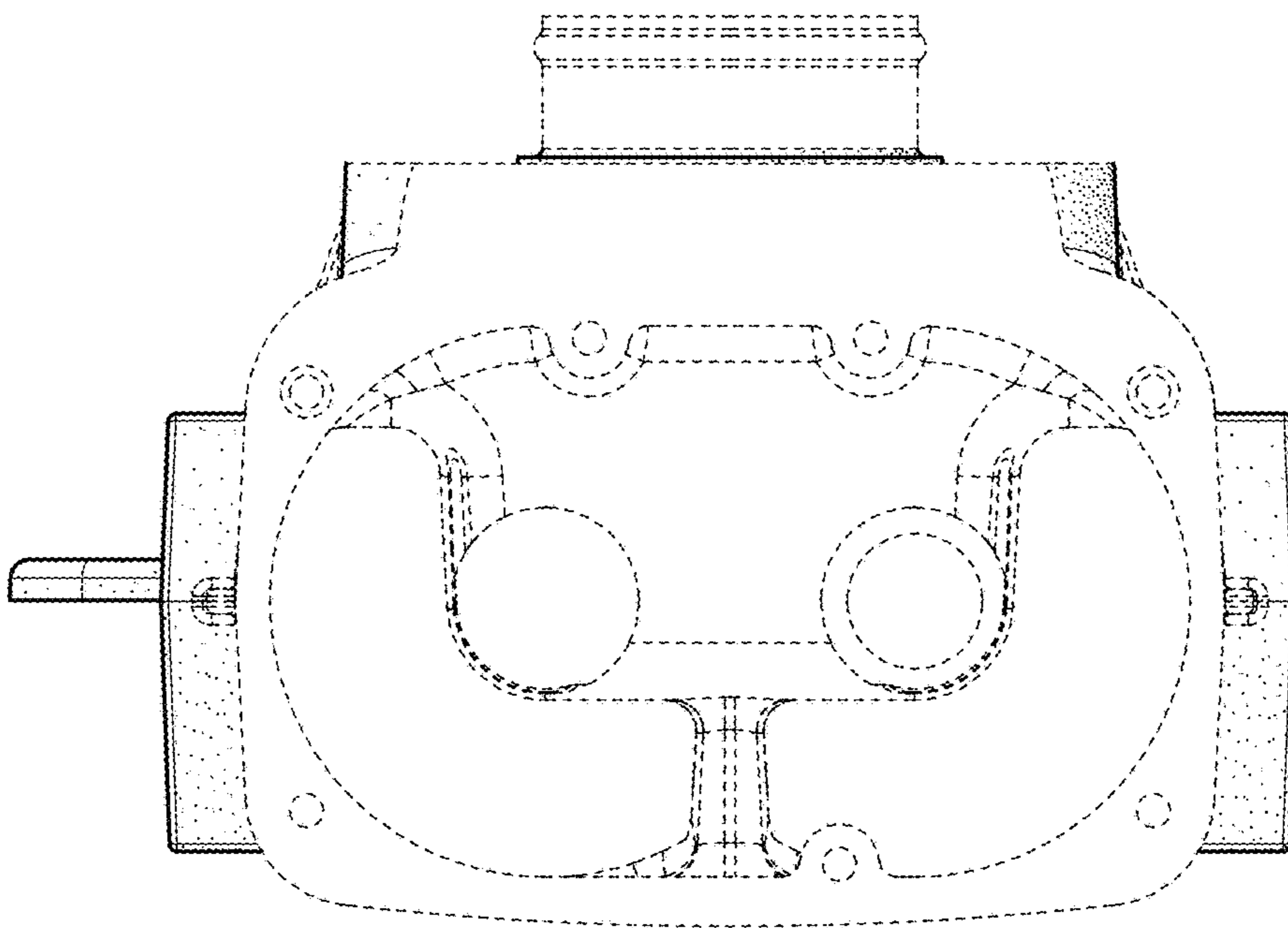




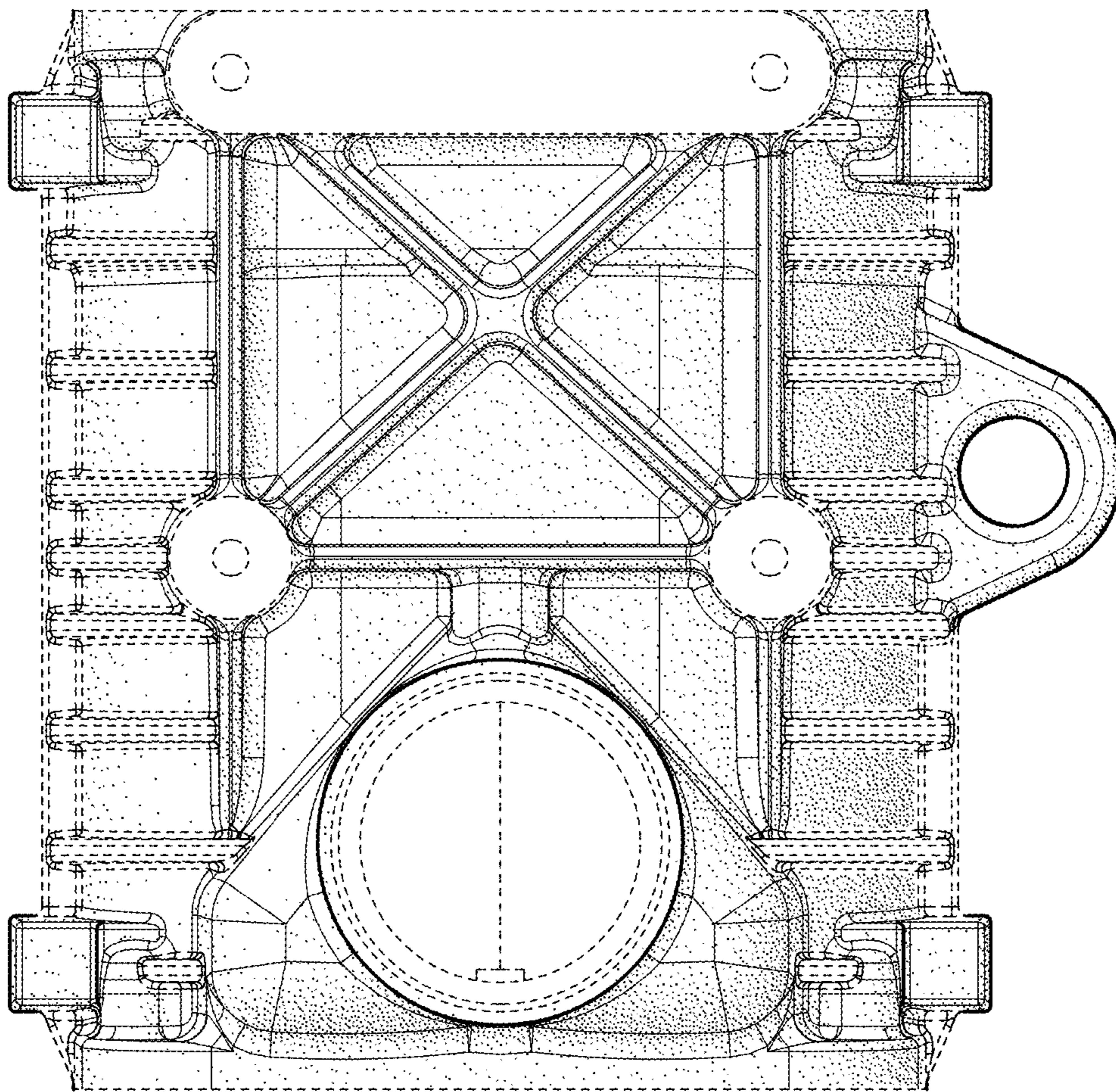
**FIG. 1**



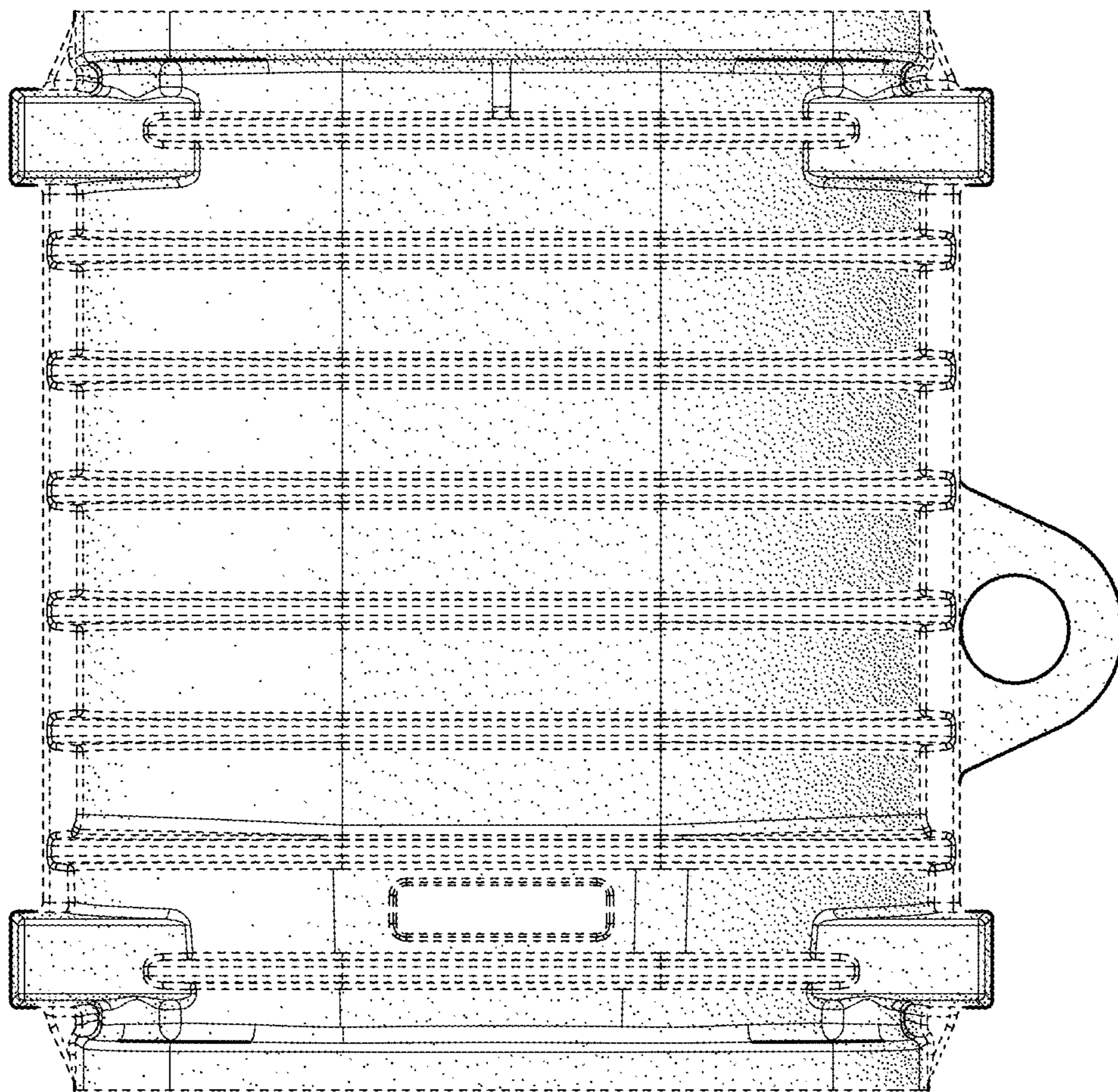
**FIG. 2**



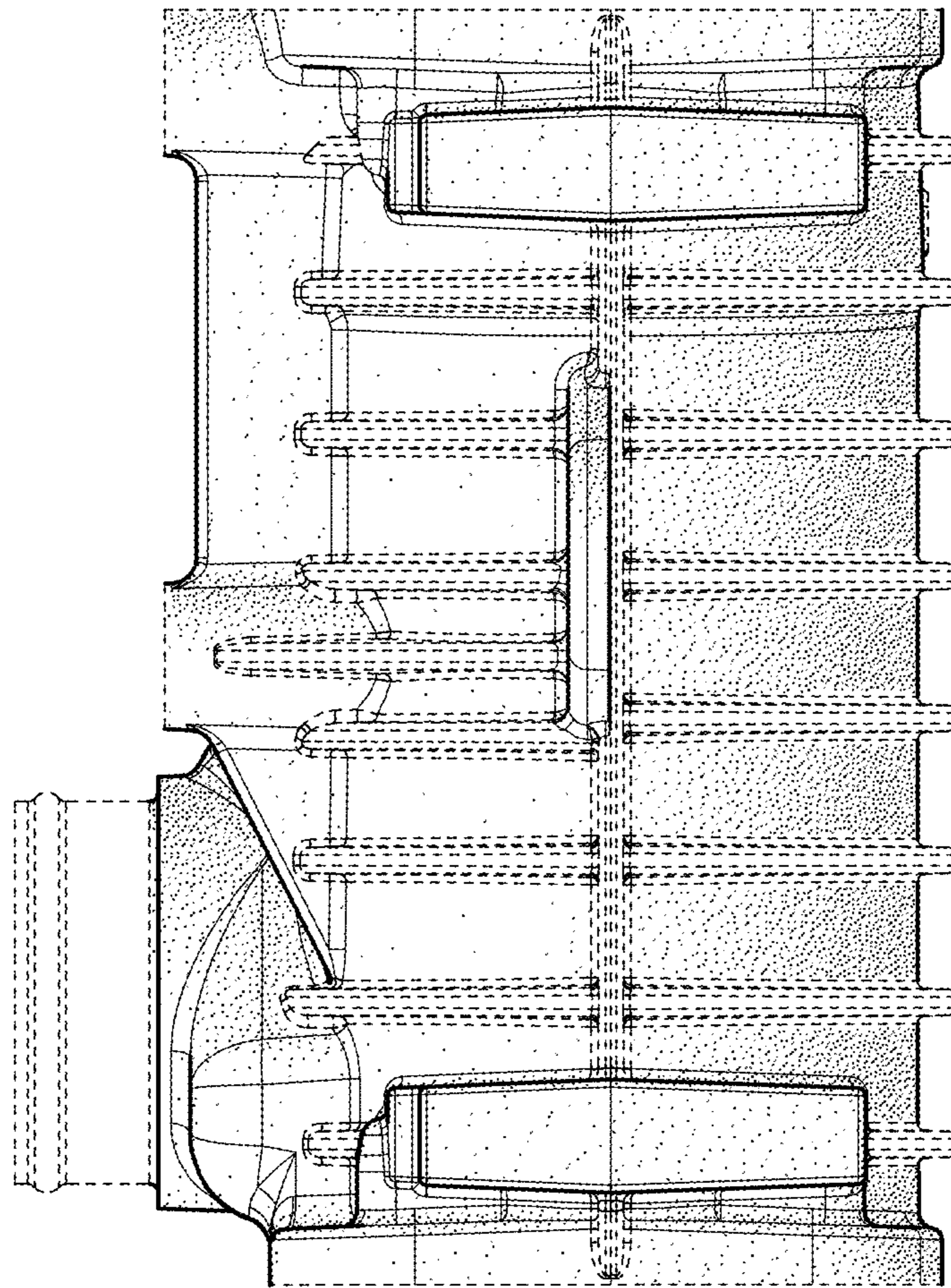
**FIG. 3**



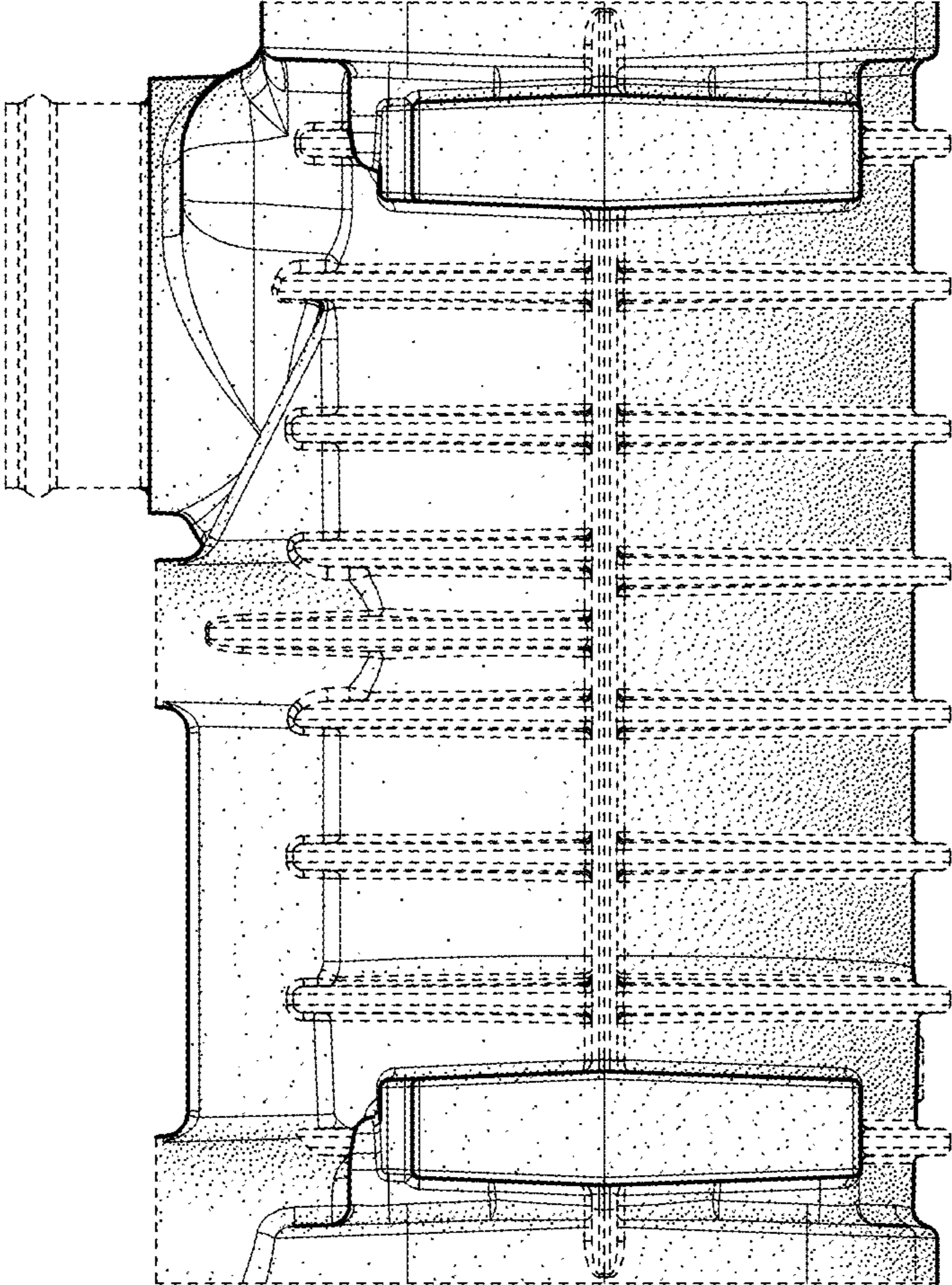
**FIG. 4**



**FIG. 5**



**FIG. 6**



**FIG. 7**