



US00D788175S

(12) **United States Design Patent** (10) **Patent No.:** **US D788,175 S**  
**Nezar et al.** (45) **Date of Patent:** **\*\* May 30, 2017**

(54) **FRONT COVER FOR VEHICLE SNORKEL**

(56) **References Cited**

(71) Applicant: **CENTRIFUGAL UNIVERSAL FILTRATION TECHNOLOGY (PTY) LTD, Gauteng (ZA)**

U.S. PATENT DOCUMENTS

(72) Inventors: **Robert Carl Nezar, Centurion (ZA); John Ewin Thomas, Gauteng (ZA)**

D587,797	S	*	3/2009	Blanchard	.....	D23/370
D637,205	S	*	5/2011	Luxon	.....	D12/400
D637,206	S	*	5/2011	Luxon	.....	D12/400
D642,199	S	*	7/2011	Luxon	.....	D12/400
D670,743	S	*	11/2012	Ewringmann	.....	D12/194
D687,071	S	*	7/2013	Bennett	.....	D15/5
D687,072	S	*	7/2013	Bennett	.....	D15/5
2014/0008136	A1	*	1/2014	Bennett	.....	B60K 13/02 180/68.3

(73) Assignee: **CENTRIFUGAL UNIVERSAL FILTRATION TECHNOLOGY (PTY) LTD, Gauteng (ZA)**

\* cited by examiner

(\*\*) Term: **15 Years**

*Primary Examiner* — T. Chase Nelson

(21) Appl. No.: **29/562,167**

*Assistant Examiner* — Ania Aman

(22) Filed: **Apr. 22, 2016**

(74) *Attorney, Agent, or Firm* — Workman Nydegger

(51) **LOC (10) Cl.** ..... **15-01**

(52) **U.S. Cl.**  
USPC ..... **D15/5**

(57) **CLAIM**

(58) **Field of Classification Search**  
USPC ..... D15/5; D12/400, 194, 206, 418;  
D24/110.5, 110.6; D23/370, 371, 393  
CPC ..... F02M 35/10131; F02M 35/10; F02M  
35/10006; F02M 35/048; F02M  
35/10019; F02M 35/10091; F02M  
23/003; F02M 35/0201; F02M 35/10072;  
F02M 35/10124; F02M 35/10163; F02M  
35/10347; F02M 35/08; F02M 35/0226;  
F02M 35/164; F02M 35/10013; B60K  
13/02; B60Y 2200/20

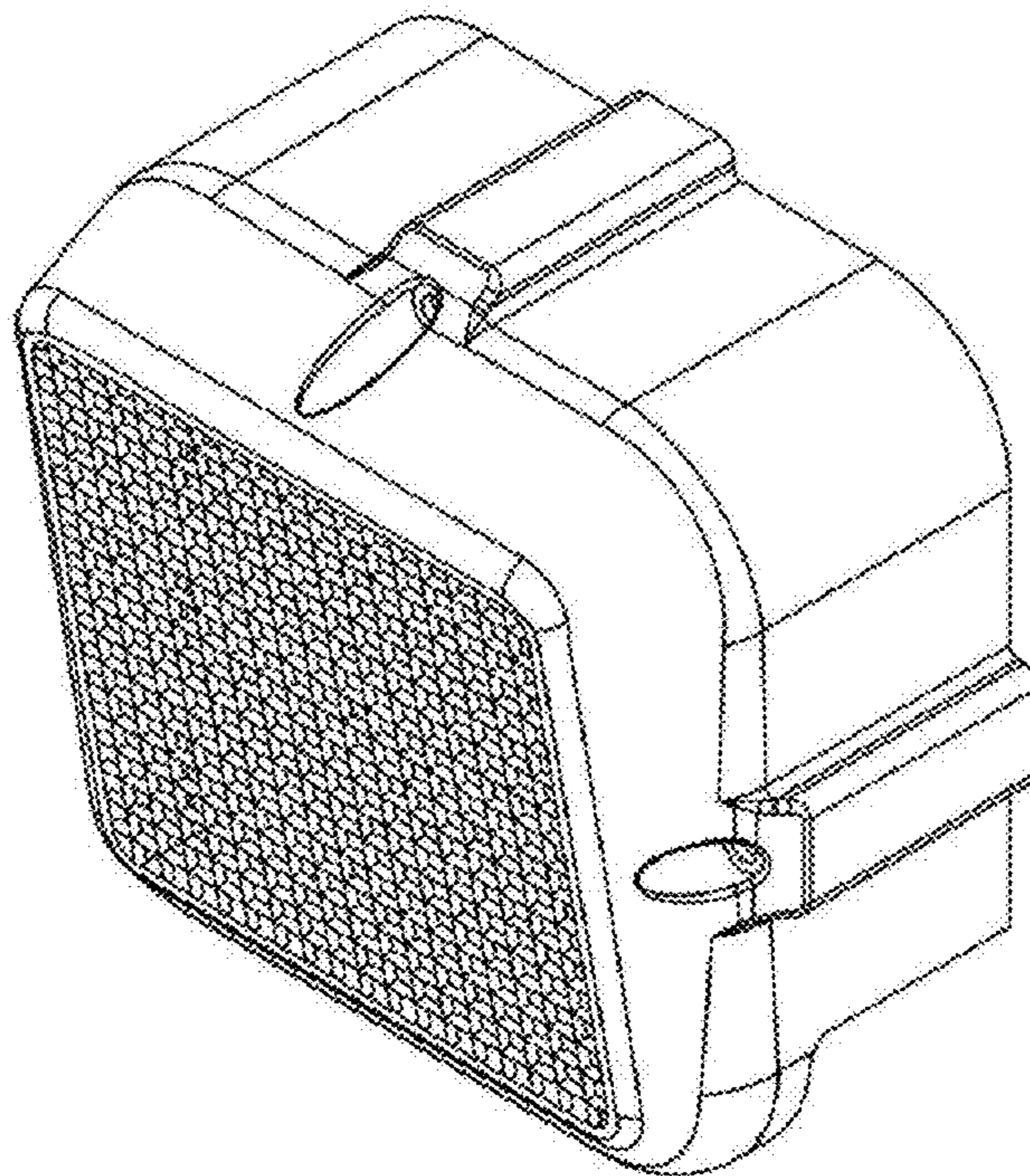
The ornamental design for front cover for vehicle snorkel, as shown.

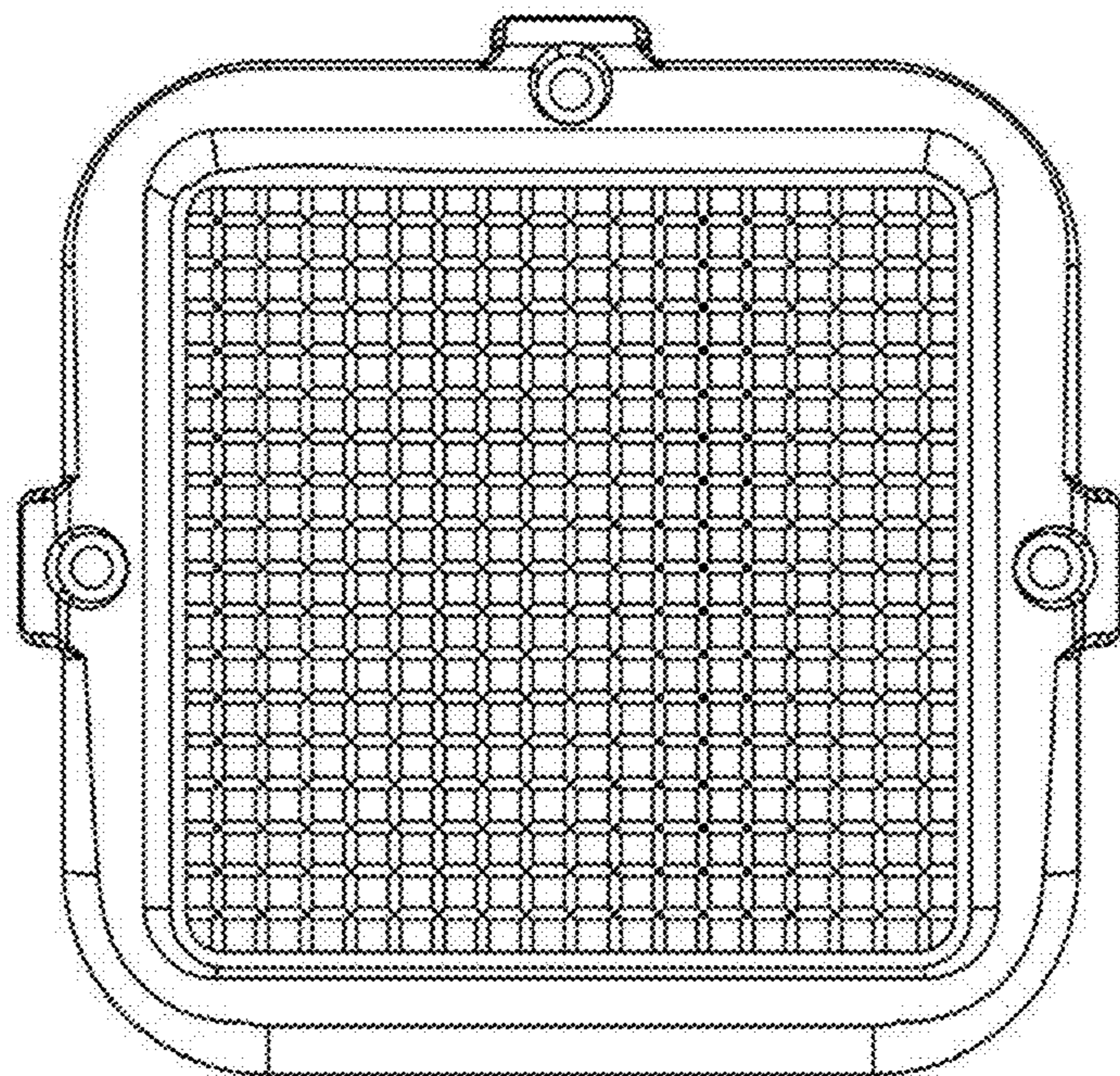
**DESCRIPTION**

FIG. 1 is a front view;  
FIG. 2 is a side view;  
FIG. 3 is a top view; and,  
FIG. 4 is a three dimensional view.

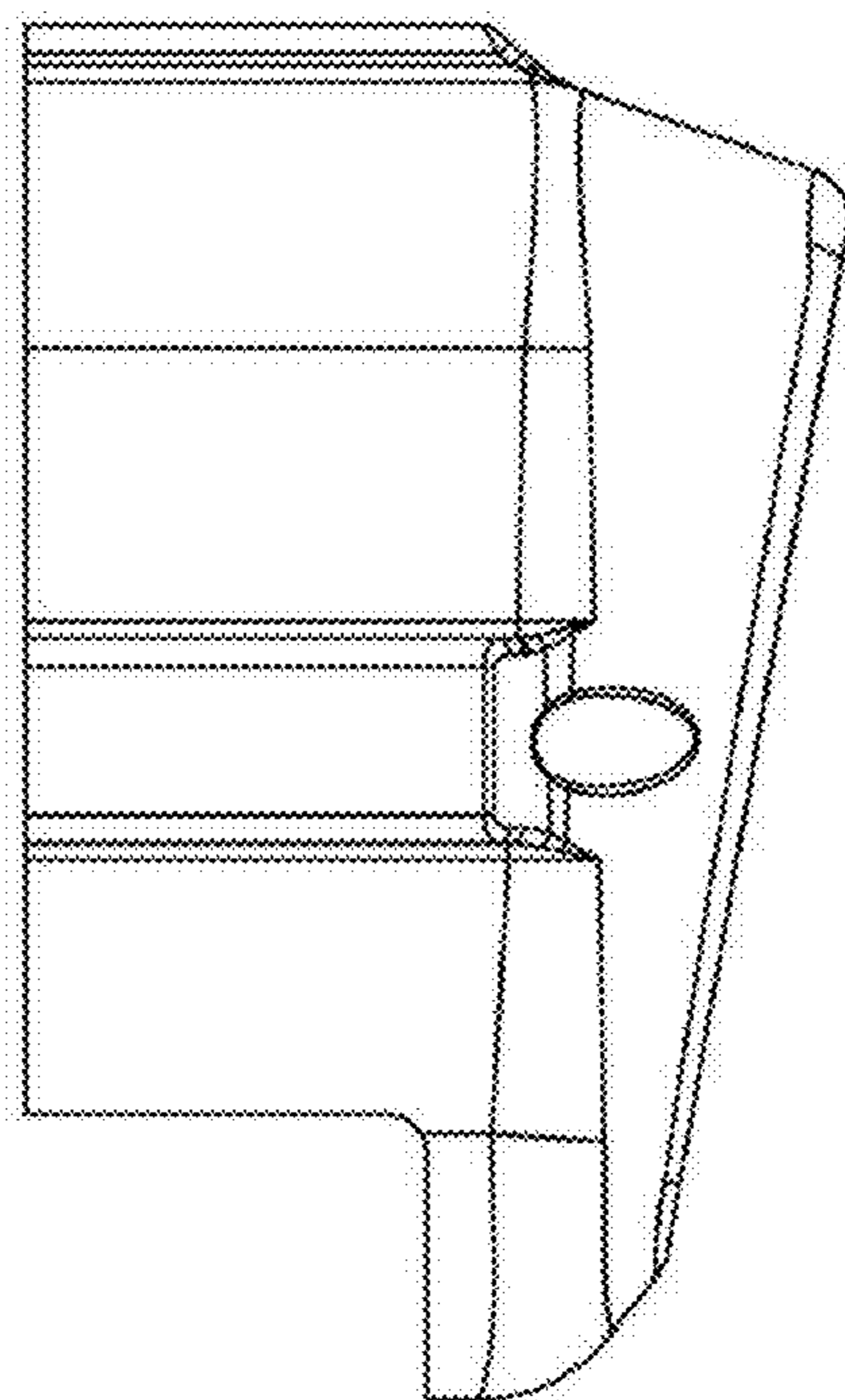
See application file for complete search history.

**1 Claim, 2 Drawing Sheets**

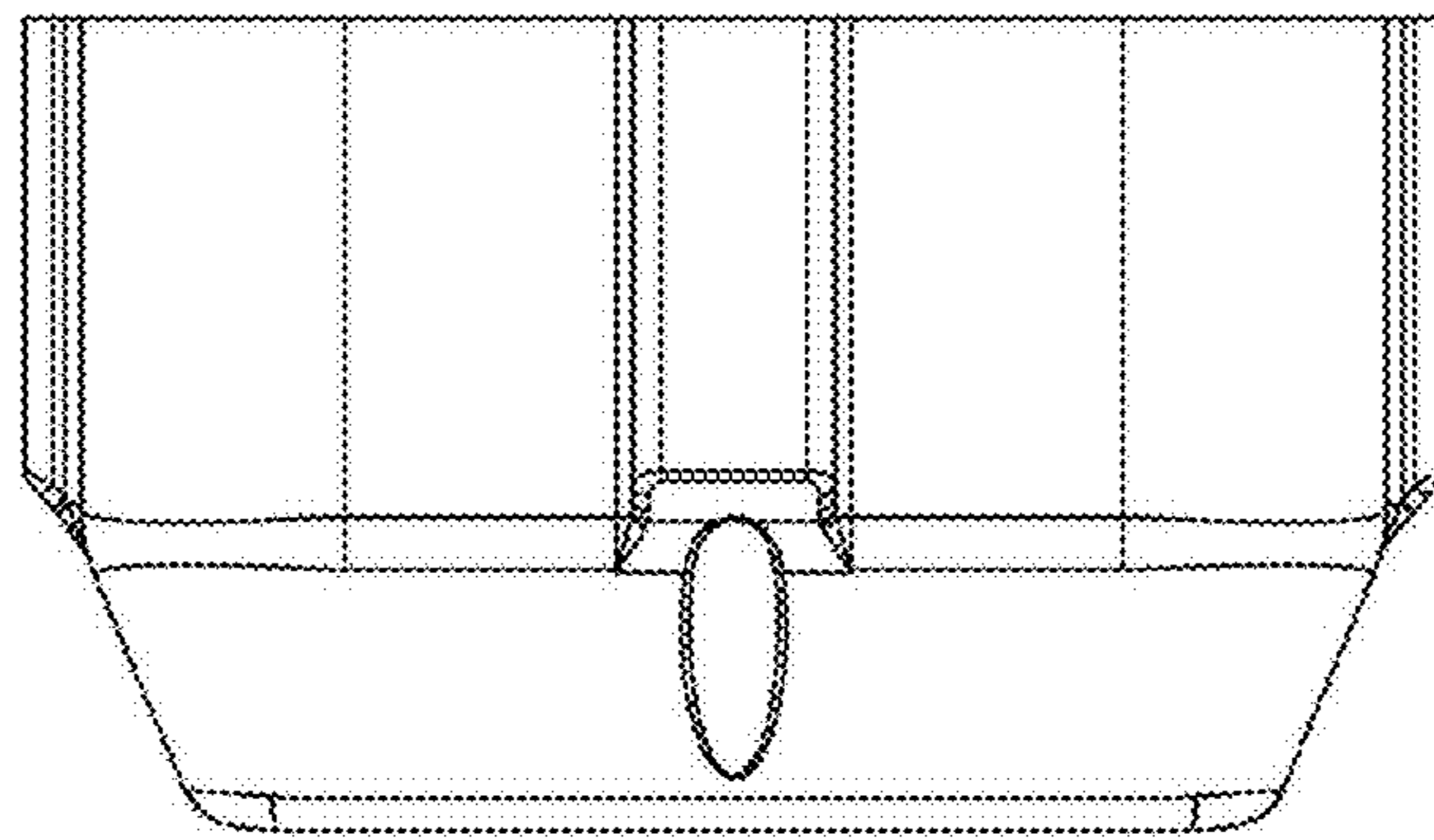




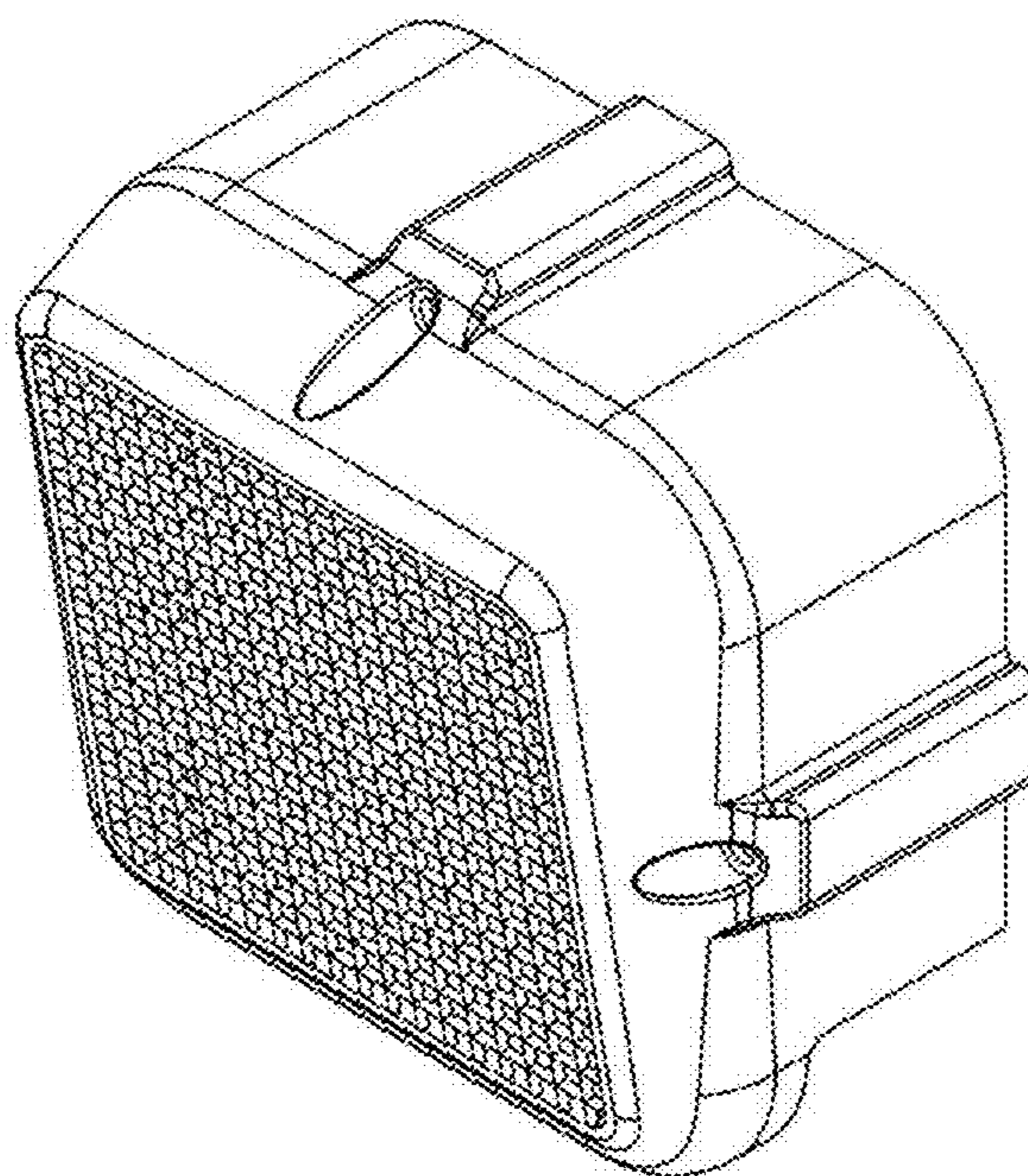
**FIG. 1**



**FIG. 2**



**FIG. 3**



**FIG. 4**