



US00D788174S

(12) **United States Design Patent** (10) **Patent No.:** **US D788,174 S**
Rienas et al. (45) **Date of Patent:** **** May 30, 2017**

(54) **SUPERCHARGER HOUSING**
(71) Applicant: **Eaton Corporation**, Cleveland, OH (US)
(72) Inventors: **Kenneth A. Rienas**, Howell, MI (US); **Justin G. Hopkins**, Saint Louis, MO (US)
(73) Assignee: **Eaton Corporation**, Cleveland, OH (US)

2004/0208770 A1* 10/2004 Prior F04C 18/16
418/201.1
2006/0263230 A1* 11/2006 Swartzlander F04C 18/084
418/196
2007/0107704 A1* 5/2007 Billings F02B 33/38
123/559.1
2008/0271719 A1* 11/2008 Prior F02B 33/40
123/559.1
2008/0292452 A1* 11/2008 Prior F04C 18/086
415/173.4
2010/0086402 A1* 4/2010 Ouwenga F04C 18/12
415/224

(Continued)

(**) Term: **15 Years**

Primary Examiner — T. Chase Nelson

Assistant Examiner — Ania Aman

(21) Appl. No.: **29/543,540**

(74) *Attorney, Agent, or Firm* — Remarck Law Group PLC

(22) Filed: **Oct. 26, 2015**

(51) **LOC (10) Cl.** **15-01**

(57) **CLAIM**

(52) **U.S. Cl.**
USPC **D15/5**

The ornamental design for a supercharger housing, as shown and described.

(58) **Field of Classification Search**
USPC D15/1-5; 123/559.1; 29/888.02;
418/178, 179, 1, 206.5; 415/9, 173.4,
415/174.4; 464/127, 72, 74, 75
CPC F16D 2500/1068; F16D 3/70; F16D 3/64;
F16D 3/68; F16D 3/78; F16D 3/12; F16D
41/20; F16D 3/00; F02B 39/12; F02B
39/04; F02B 37/04; F02B 33/38; F02B
33/00; F04C 29/122; F04C 27/005; F04C
18/126; F16C 1/00

DESCRIPTION

See application file for complete search history.

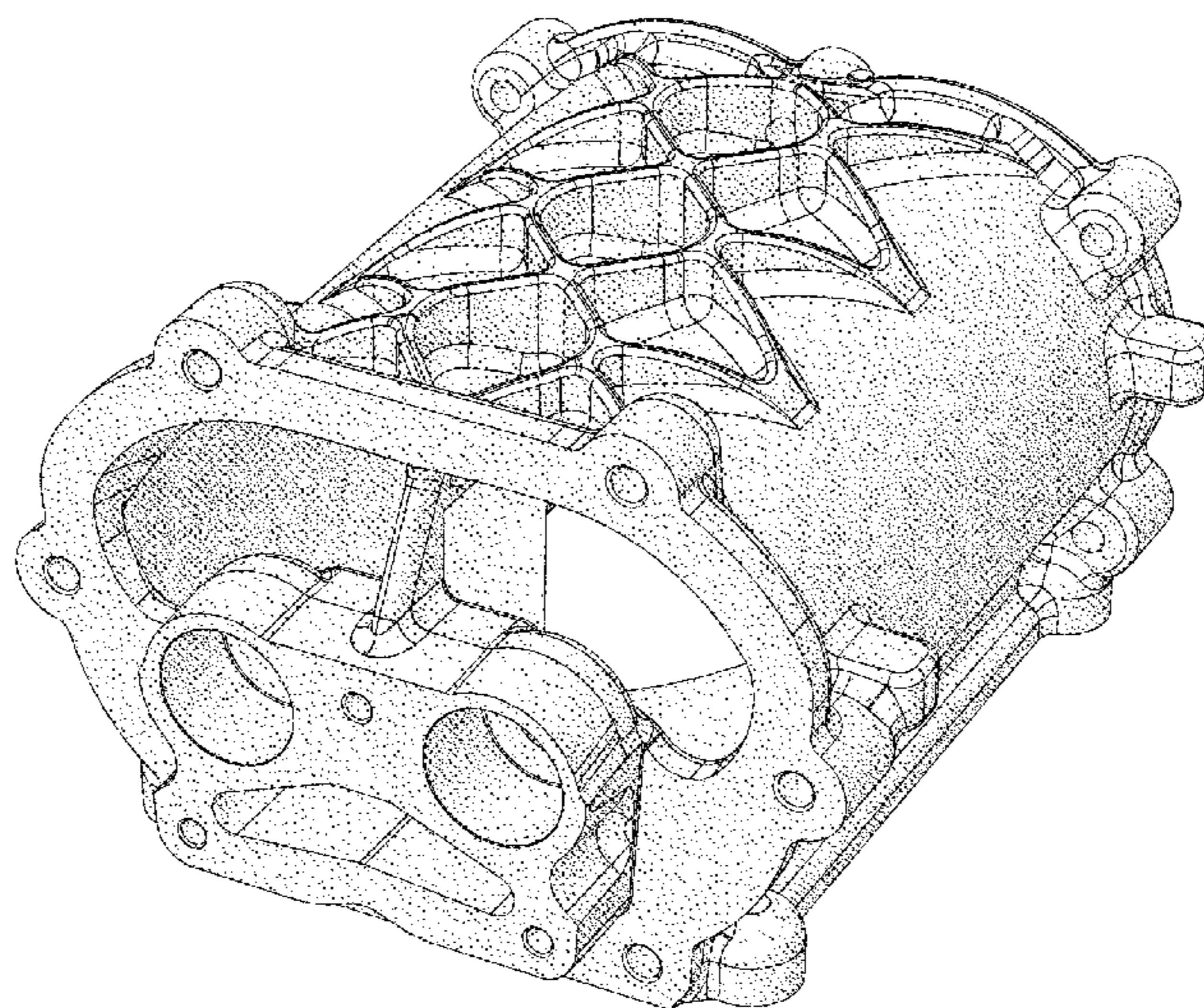
FIG. 1 is a top perspective view of a supercharger housing in accordance with the present teachings.
FIG. 2 is a bottom perspective view of the supercharger housing of FIG. 1.
FIG. 3 is a first end perspective view of the supercharger housing of FIG. 1.
FIG. 4 is a top view of the supercharger housing of FIG. 1.
FIG. 5 is a bottom view of the supercharger housing of FIG. 1.
FIG. 6 is a first side view of the supercharger housing of FIG. 1.
FIG. 7 is a second side view of the supercharger housing of FIG. 1.
FIG. 8 is a first end view of the supercharger housing of FIG. 1; and,
FIG. 9 is second end view of the supercharger housing of FIG. 1.

(56) **References Cited**

U.S. PATENT DOCUMENTS

6,994,603 B2 2/2006 Clark et al.
7,604,467 B2 10/2009 Prior
7,726,286 B2 6/2010 Prior, II et al.
8,464,697 B2 6/2013 Ouwenga et al.
8,701,635 B2 4/2014 Simons et al.
D718,043 S 11/2014 Hamburger
D732,081 S * 6/2015 Northrop D15/4

1 Claim, 6 Drawing Sheets



(56)

References Cited

U.S. PATENT DOCUMENTS

2010/0108040 A1 5/2010 Simons et al.
2011/0150671 A1* 6/2011 Ouwenga F01C 11/008
417/293
2012/0020824 A1 1/2012 Huang et al.
2012/0037473 A1* 2/2012 Ouwenga F02B 33/38
192/84.9
2014/0017101 A1 1/2014 Staley
2015/0132171 A1* 5/2015 Knutsson F04C 18/107
418/201.1
2015/0252719 A1* 9/2015 Pryor F04C 18/16
92/177
2016/0003129 A1* 1/2016 Swartzlander F04C 28/10
418/1
2016/0003249 A1* 1/2016 Ouwenga F04C 27/005
418/1
2016/0003250 A1* 1/2016 McWilliams F02B 33/38
418/206.2
2016/0222876 A1* 8/2016 Ouwenga F02B 33/38

* cited by examiner

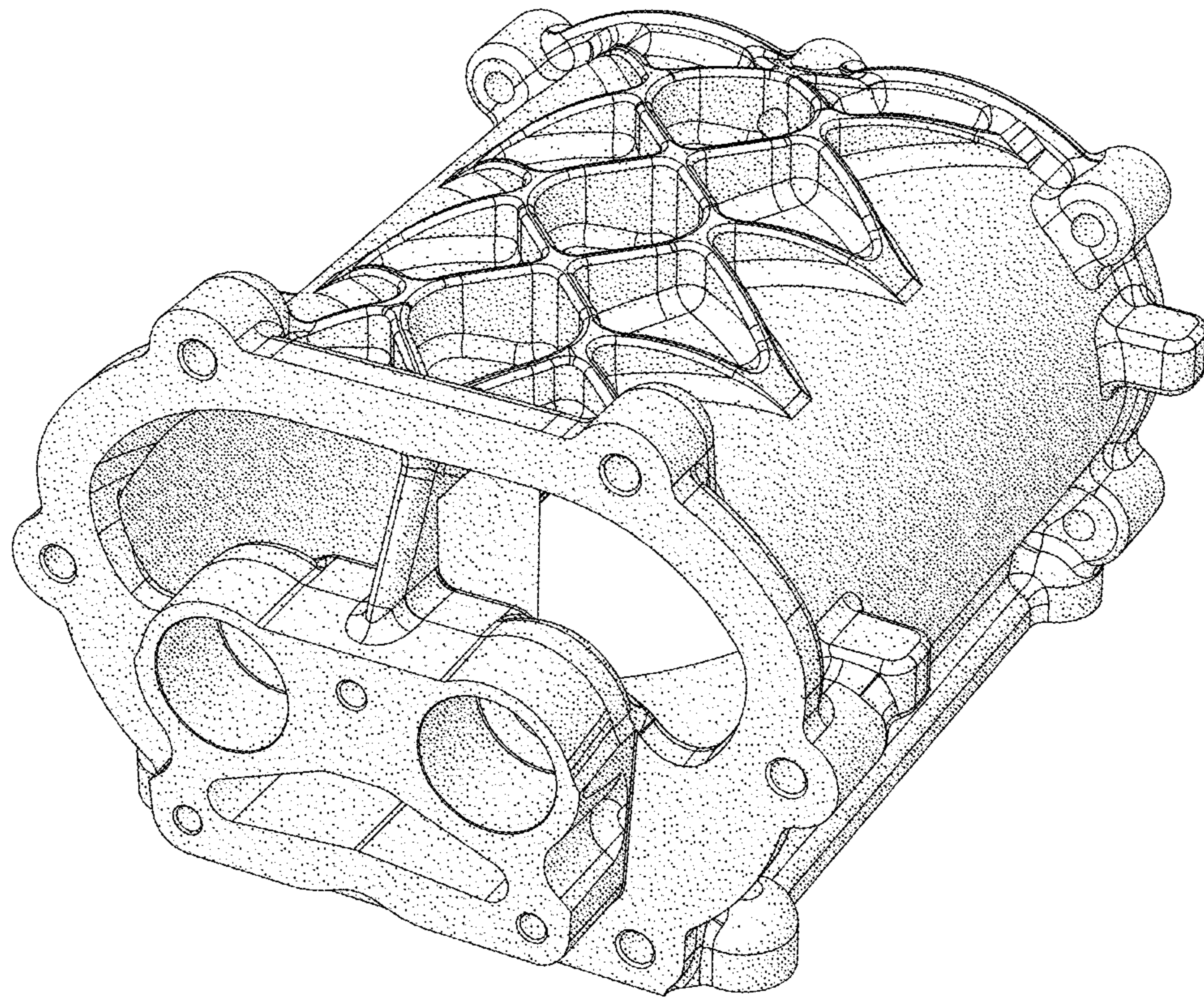


FIG. 1

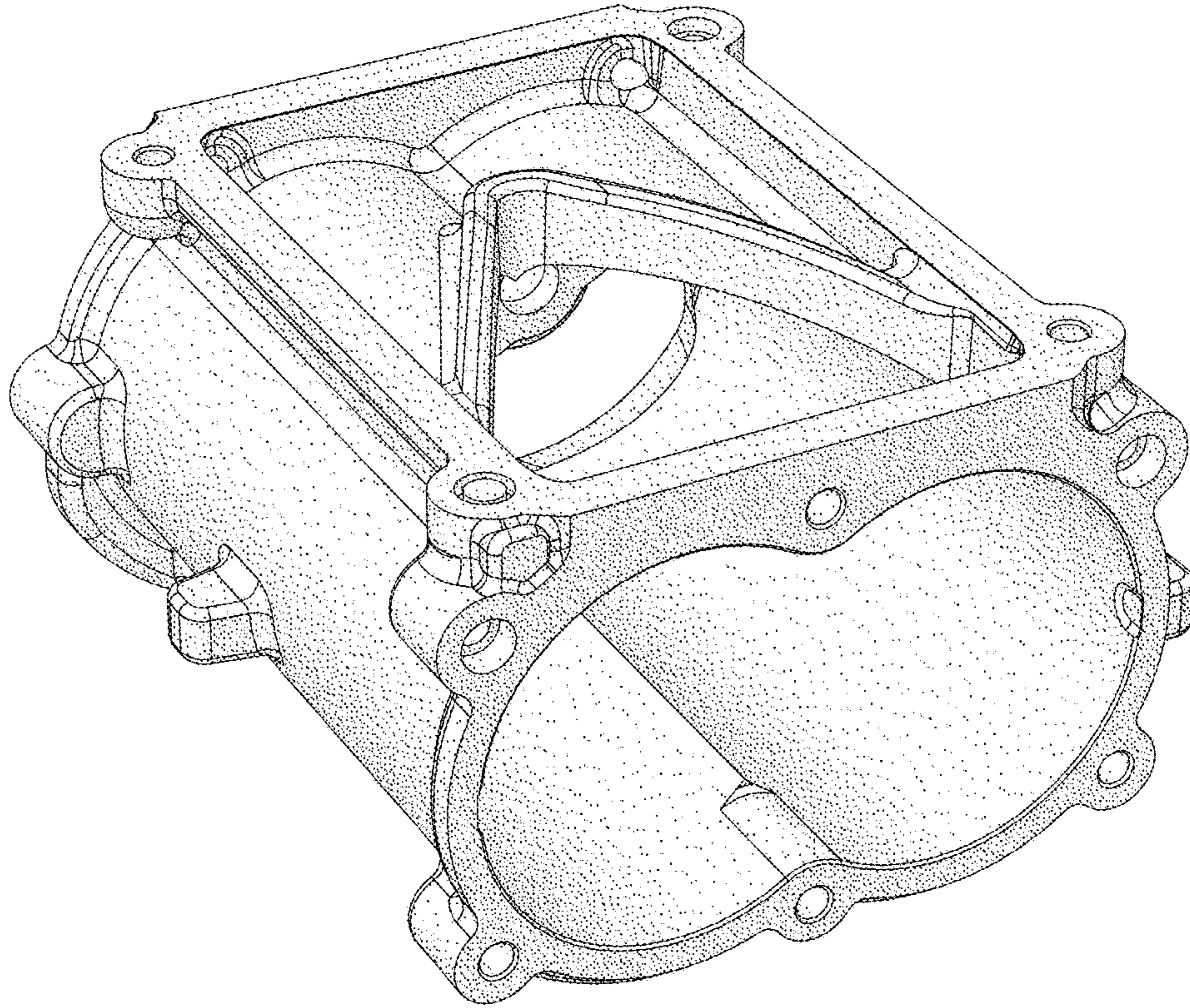


FIG. 2

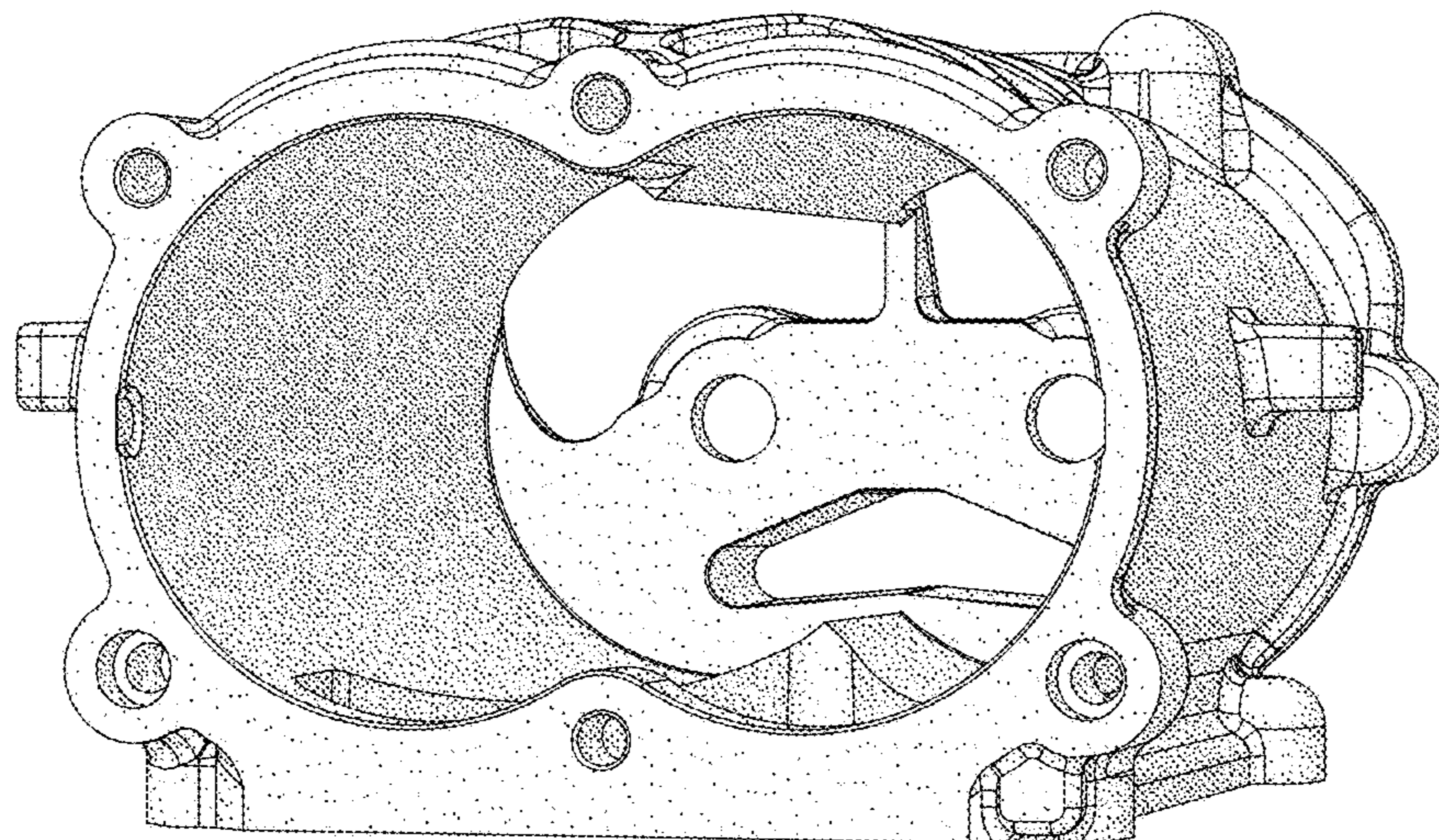


FIG. 3

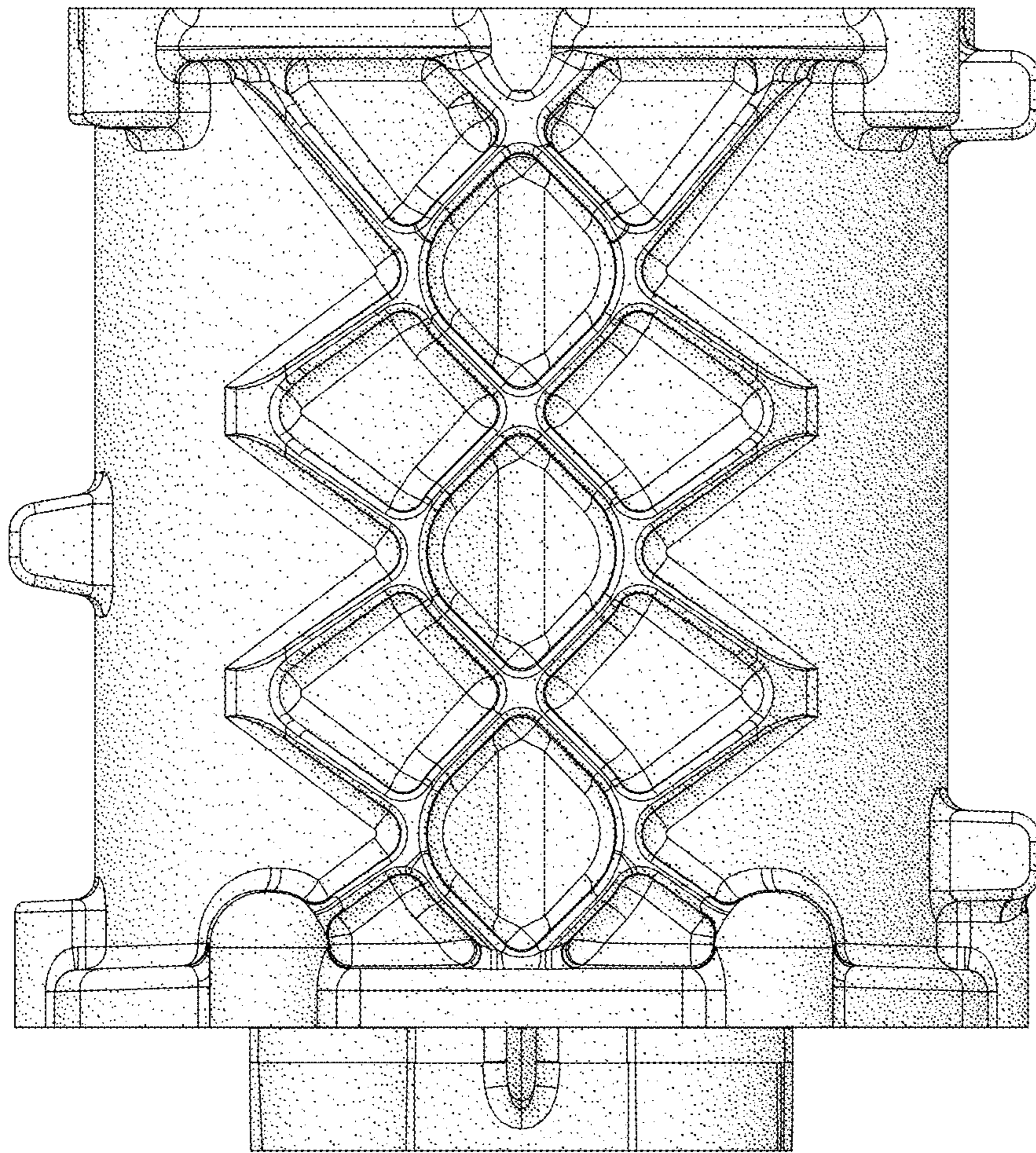


FIG. 4

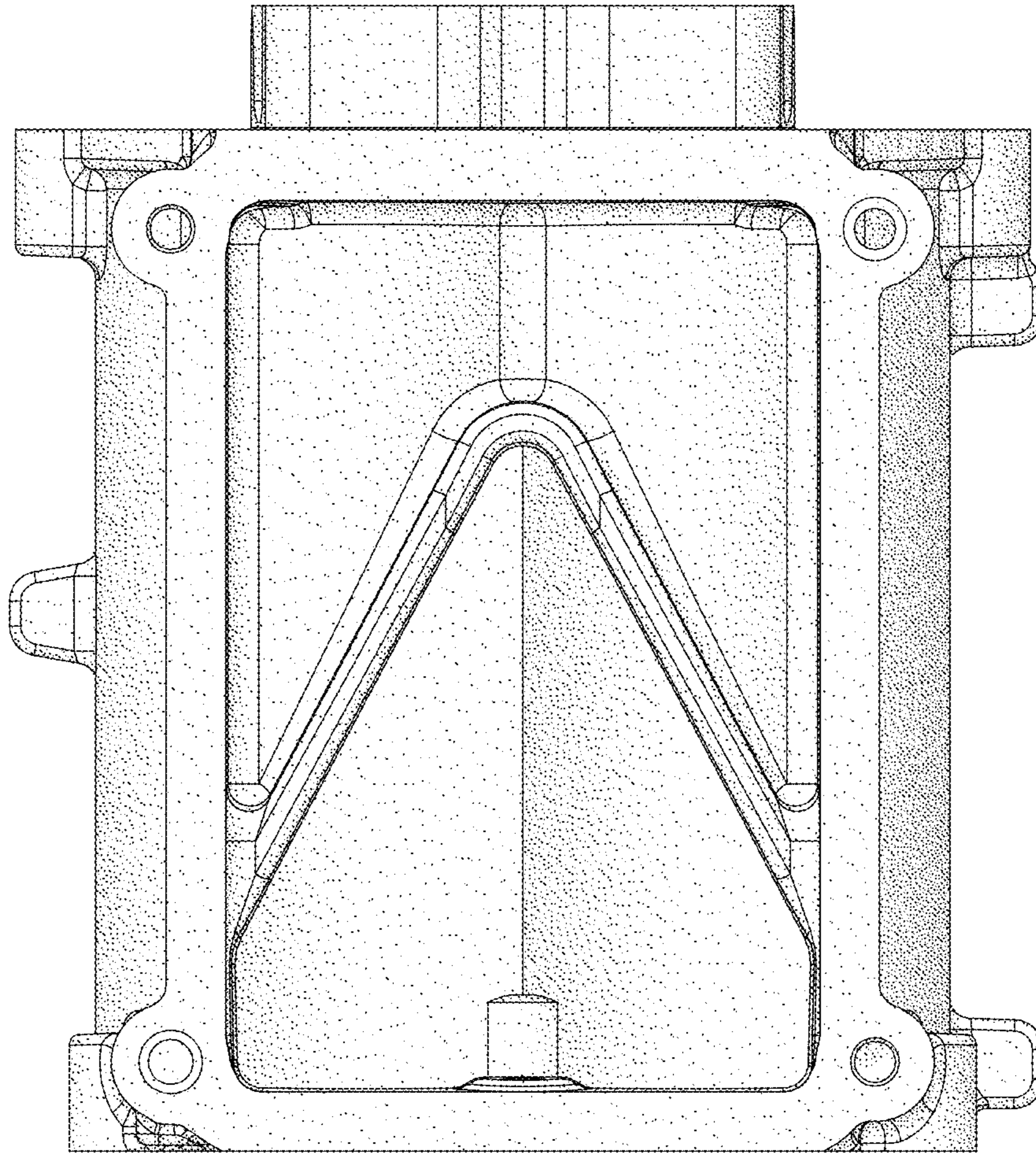


FIG. 5

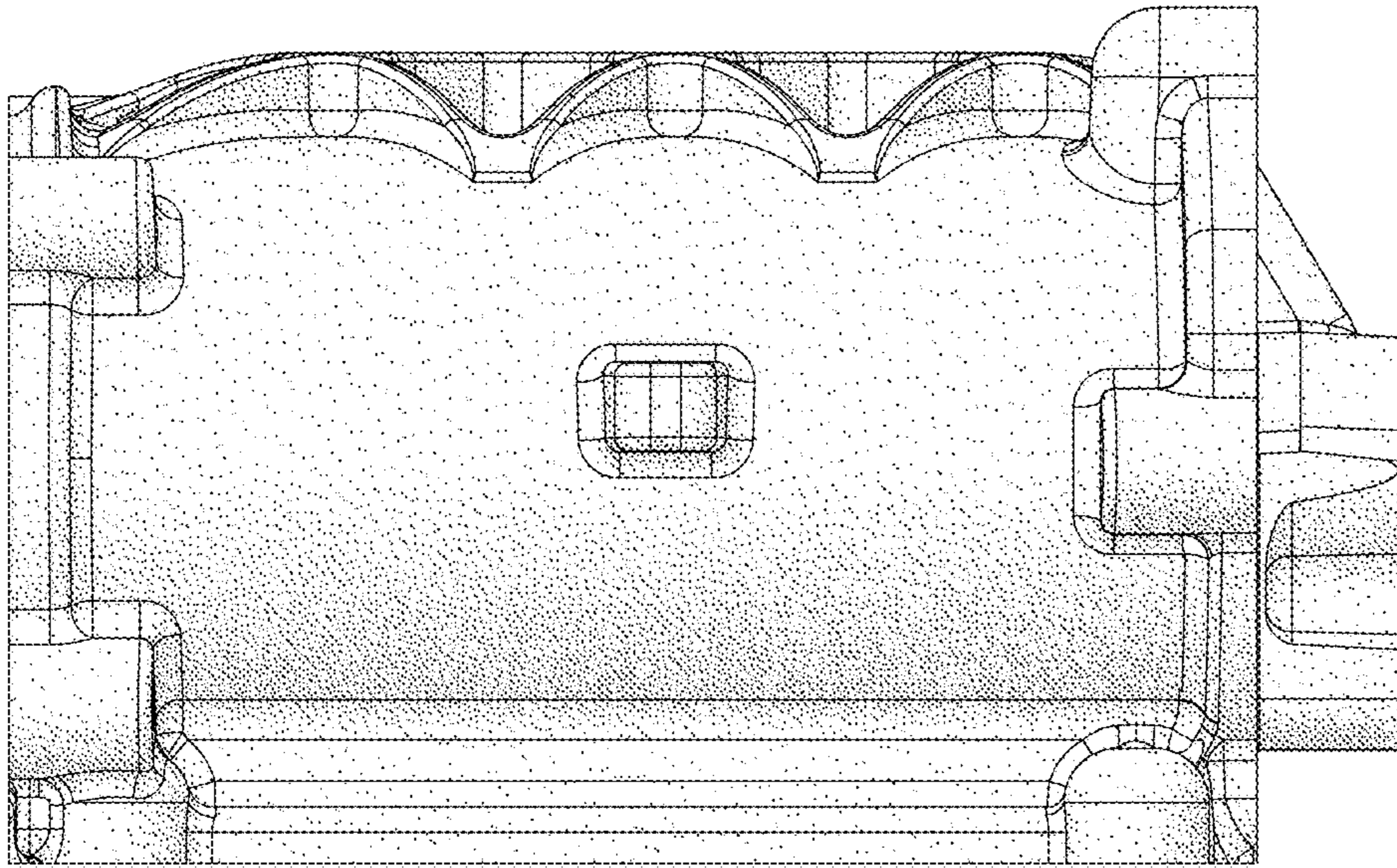


FIG. 6

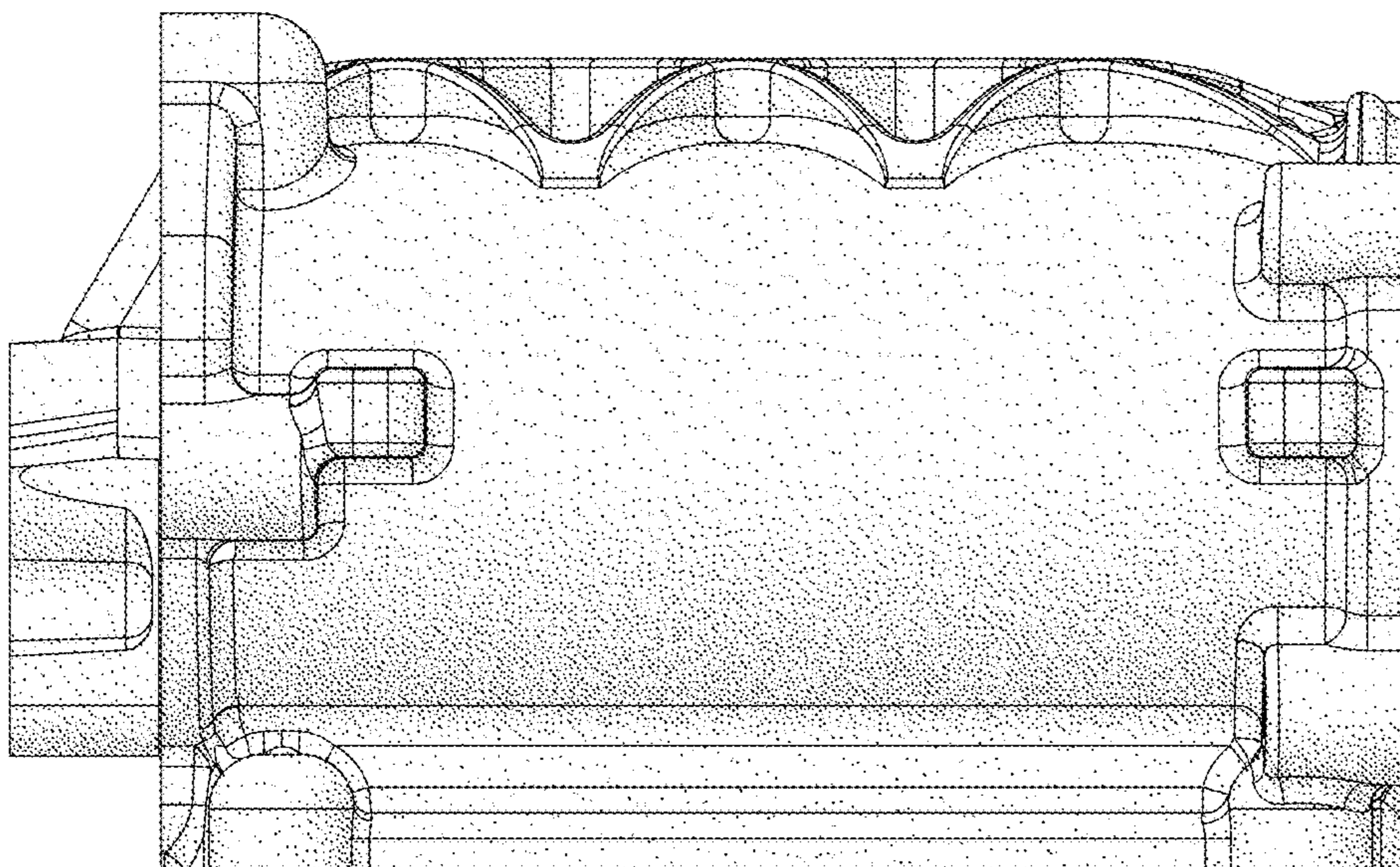


FIG. 7

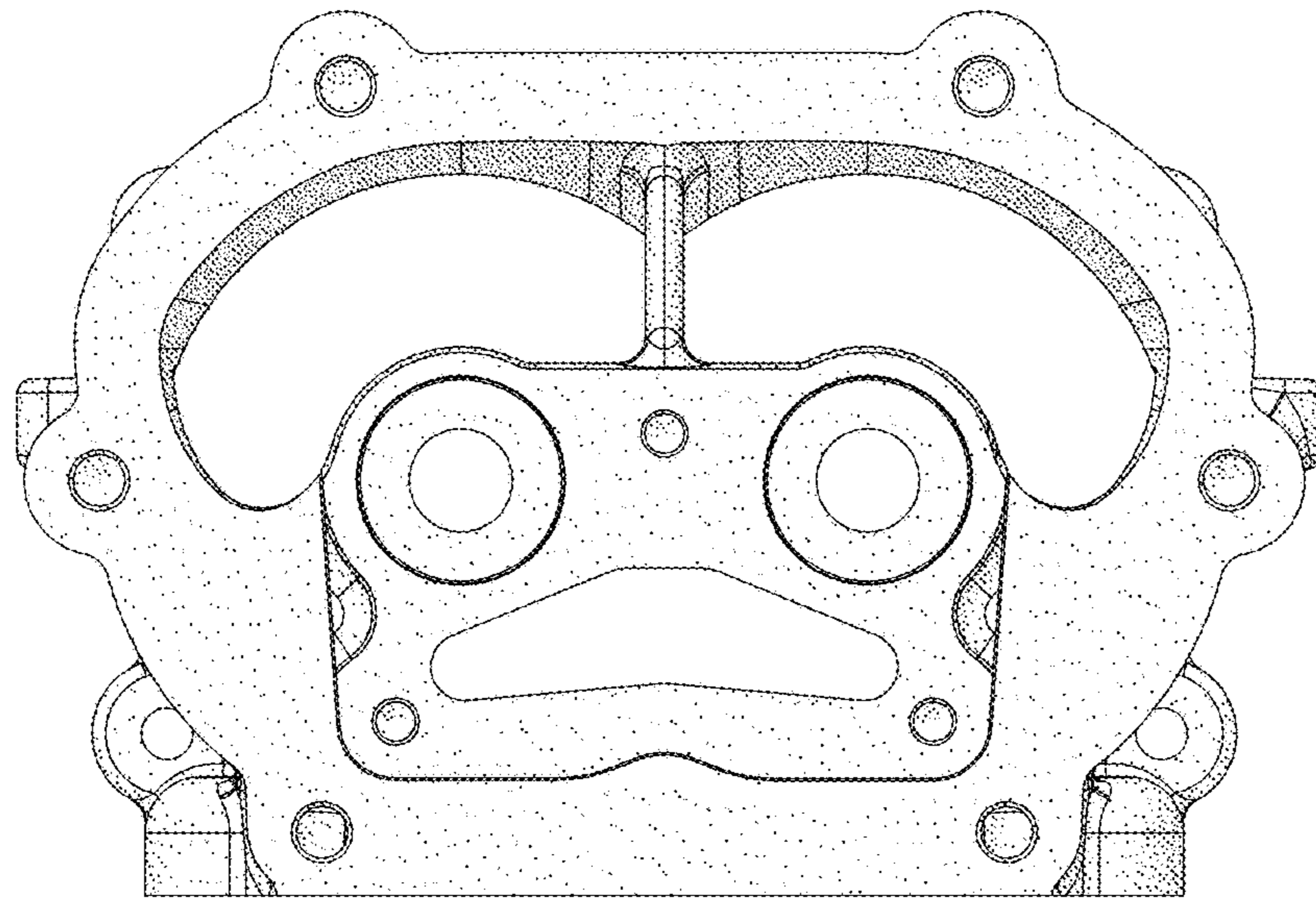


FIG. 8

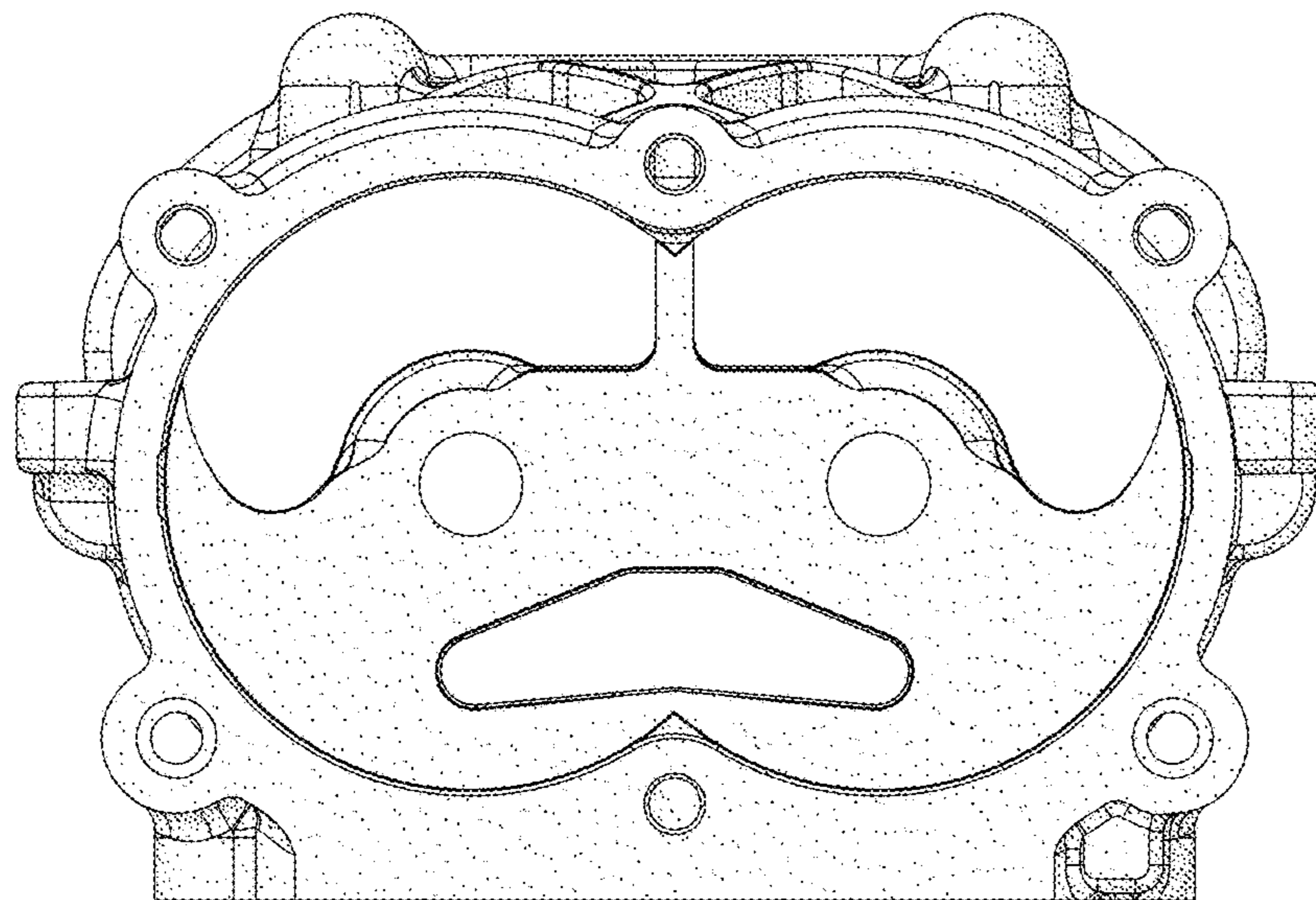


FIG. 9