



US00D788173S

(12) **United States Design Patent** (10) **Patent No.:** **US D788,173 S**
Hsu et al. (45) **Date of Patent:** **** May 30, 2017**

(54) **INTAKE MANIFOLD**
(71) Applicants: **David Hsu**, Norco, CA (US); **Clinton Yee**, Corona, CA (US)
(72) Inventors: **David Hsu**, Norco, CA (US); **Clinton Yee**, Corona, CA (US)
(73) Assignee: **Group-A Autosports, Inc.**, Norco, CA (US)

D673,977 S 1/2013 Hsu et al.
D673,978 S 1/2013 Hsu et al.
D674,408 S 1/2013 Hsu et al.
D677,700 S 3/2013 Hsu et al.
2010/0294225 A1* 11/2010 Randall F02M 35/10078
123/184.21
2010/0294226 A1* 11/2010 Gupta F02M 35/10078
123/184.21
2010/0294227 A1* 11/2010 Magnan F02B 31/085
123/184.55

(**) Term: **15 Years**

* cited by examiner

(21) Appl. No.: **29/540,192**

Primary Examiner — T. Chase Nelson

(22) Filed: **Sep. 22, 2015**

Assistant Examiner — Ania Aman

(51) **LOC (10) Cl.** **15-01**

(74) *Attorney, Agent, or Firm* — Steven N. Fox, Esq.

(52) **U.S. Cl.**

USPC **D15/5**

(57) **CLAIM**

(58) **Field of Classification Search**

USPC D15/1-5; D23/23; D12/194
CPC F02M 35/104; F02M 35/10052; F02M 35/10078; F02M 35/112; F02M 35/10085; F02M 35/10091; F02M 31/00; F02M 31/04; F02M 31/042; F02M 31/045; F02M 31/047; F02M 35/116; F02M 31/093; F02M 35/10144; F02M 35/162; F02M 35/10039; F02M 35/10347; F02M 35/10334; F02M 35/10321; F02M 35/10098; F02M 35/10072; Y02T 10/146; F02B 37/16; F23D 3/00; F23D 3/16

The ornamental design for an intake manifold, as shown and described.

See application file for complete search history.

DESCRIPTION

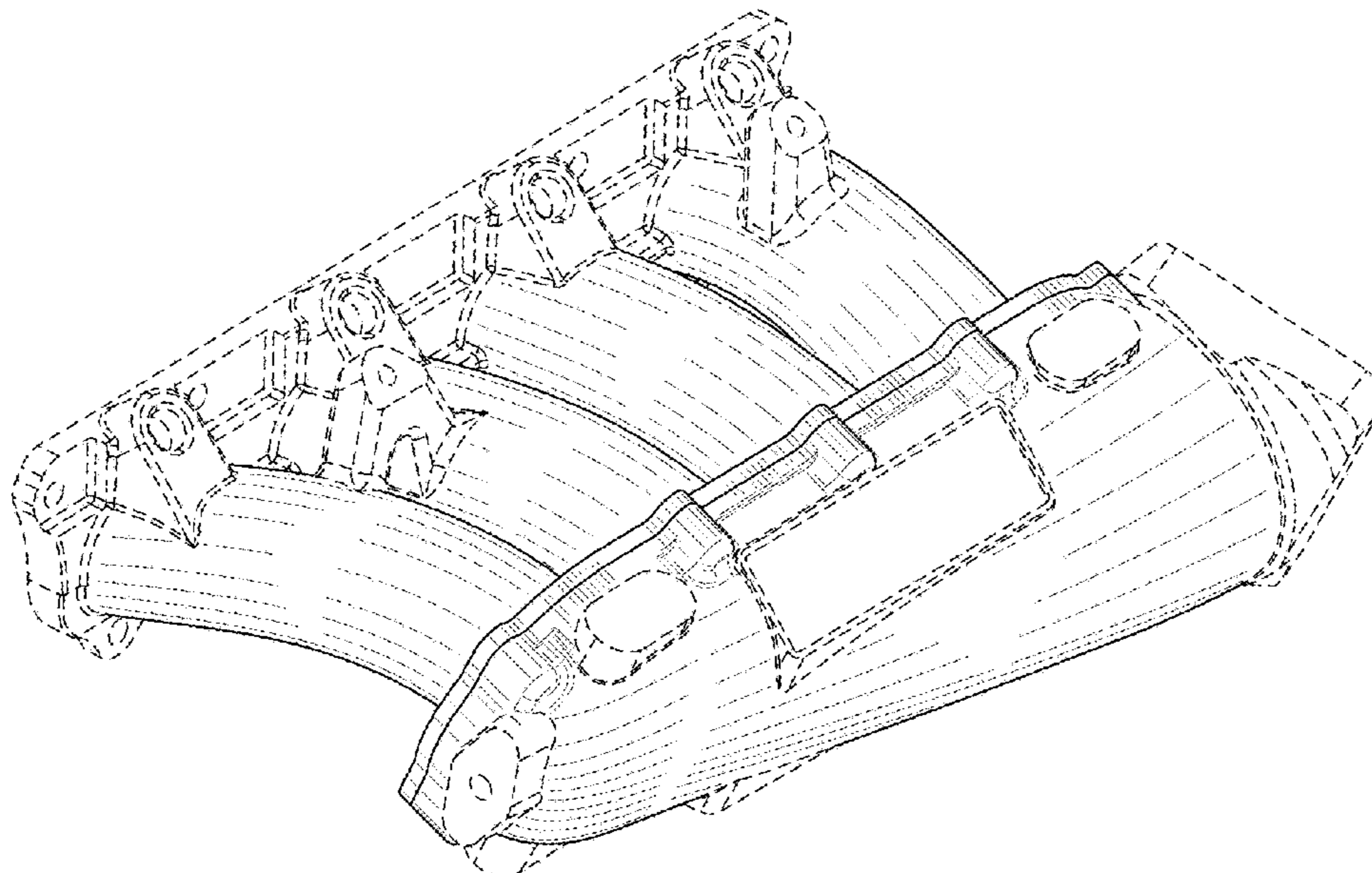
(56) **References Cited**

U.S. PATENT DOCUMENTS

D517,567 S * 3/2006 Teeter D15/5
7,086,365 B1 * 8/2006 Teeter F02M 35/10347
123/184.21

FIG. 1 is a top perspective view of an intake manifold according to the present invention;
FIG. 2 is a top view thereof;
FIG. 3 is a bottom view thereof;
FIG. 4 is a front view thereof;
FIG. 5 is a rear view thereof;
FIG. 6 is a right side view thereof;
FIG. 7 is a left side view thereof; and,
FIG. 8 is a bottom perspective view thereof.
The broken lines in the drawings illustrate environmental structure and form no part of the claimed design.

1 Claim, 6 Drawing Sheets



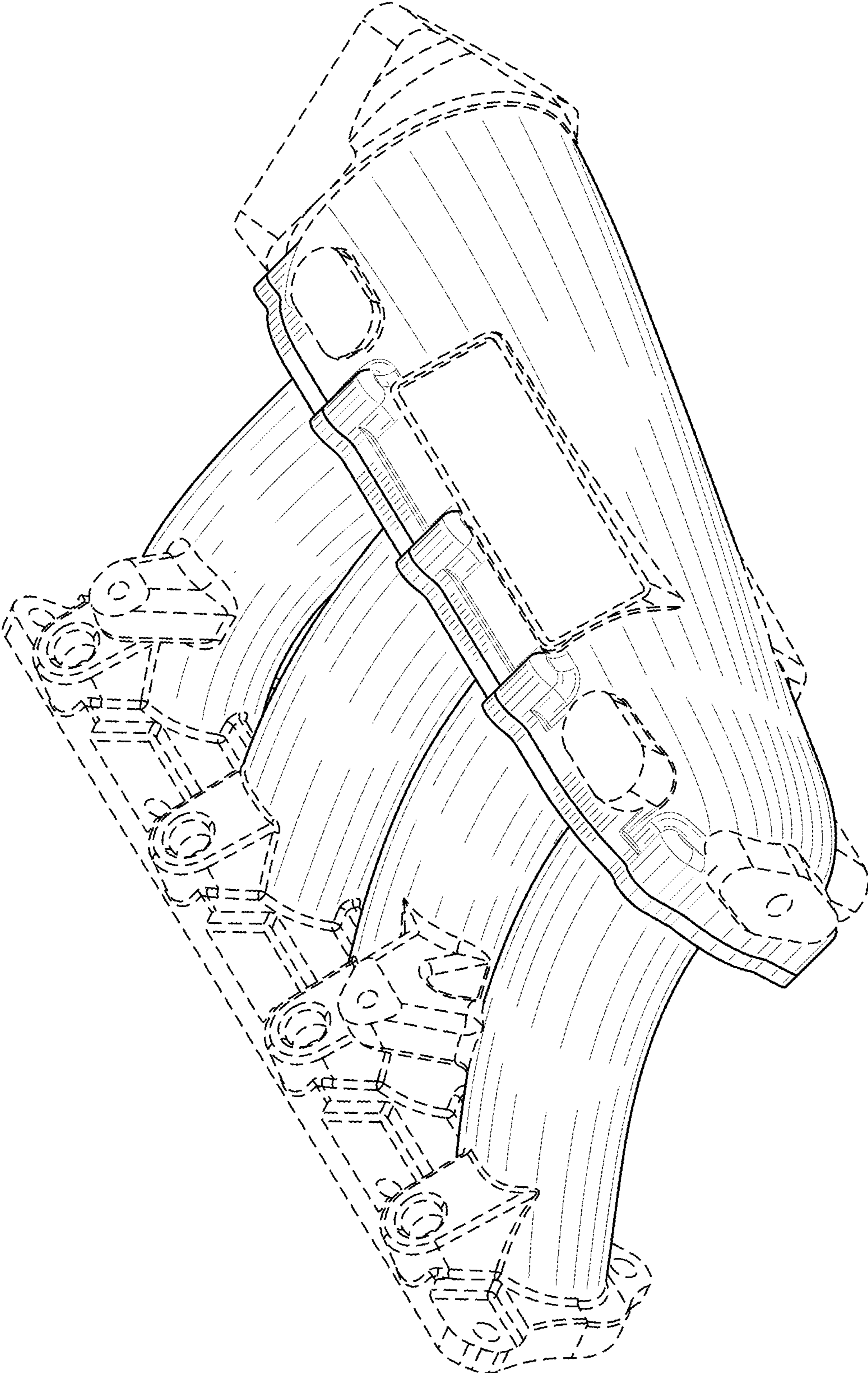


FIG. 1

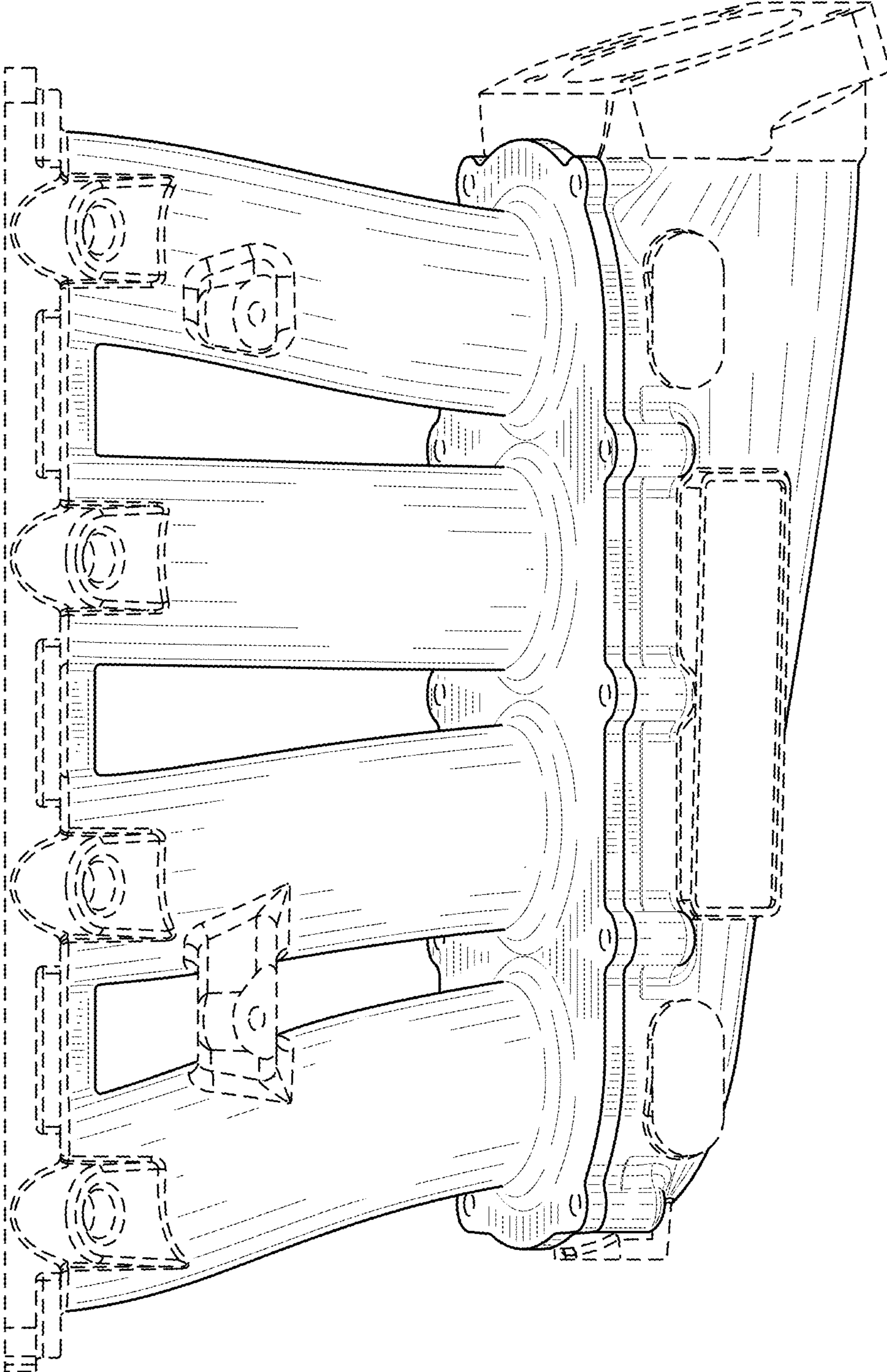


FIG. 2

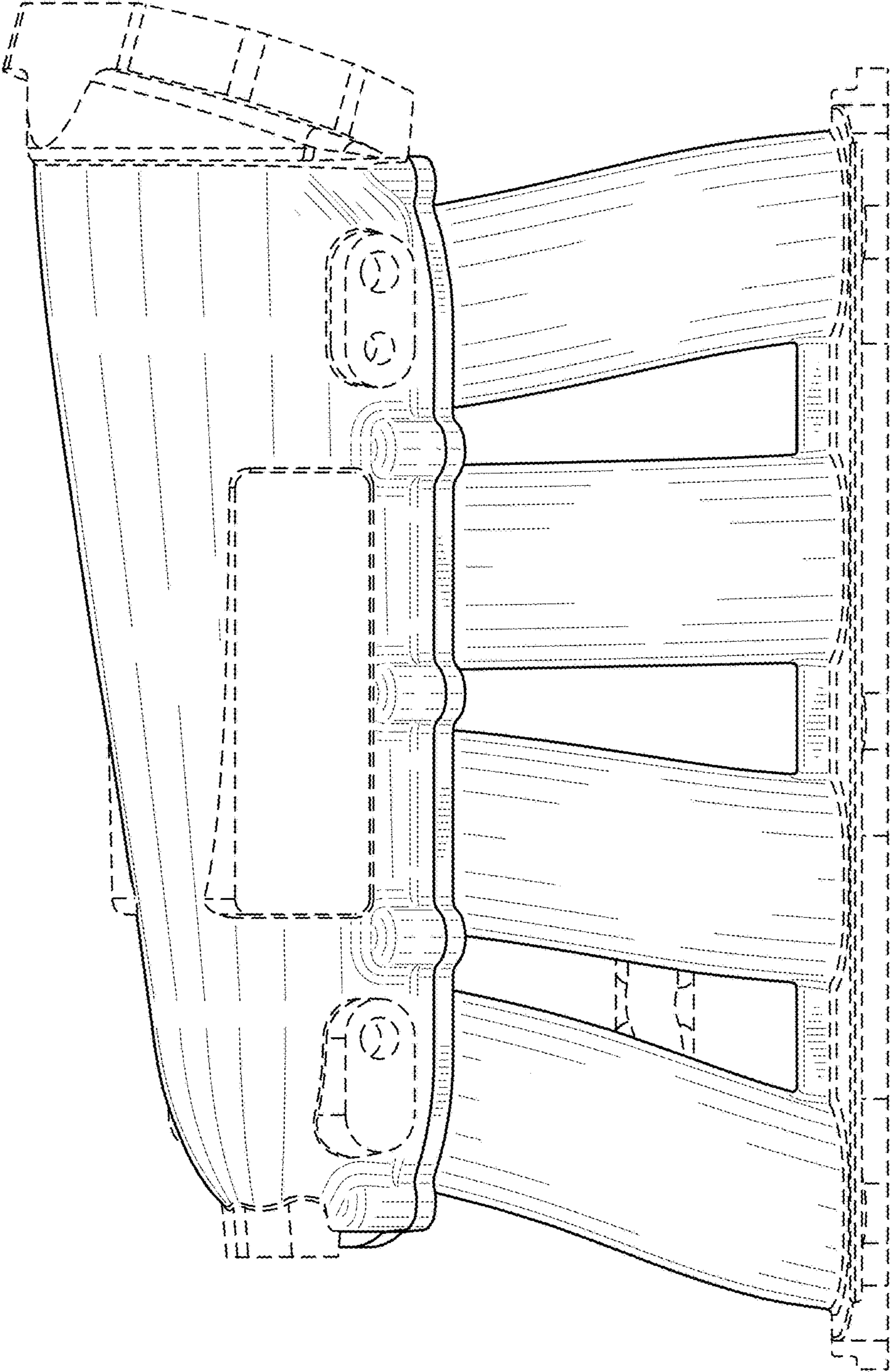


FIG. 3

FIG. 4

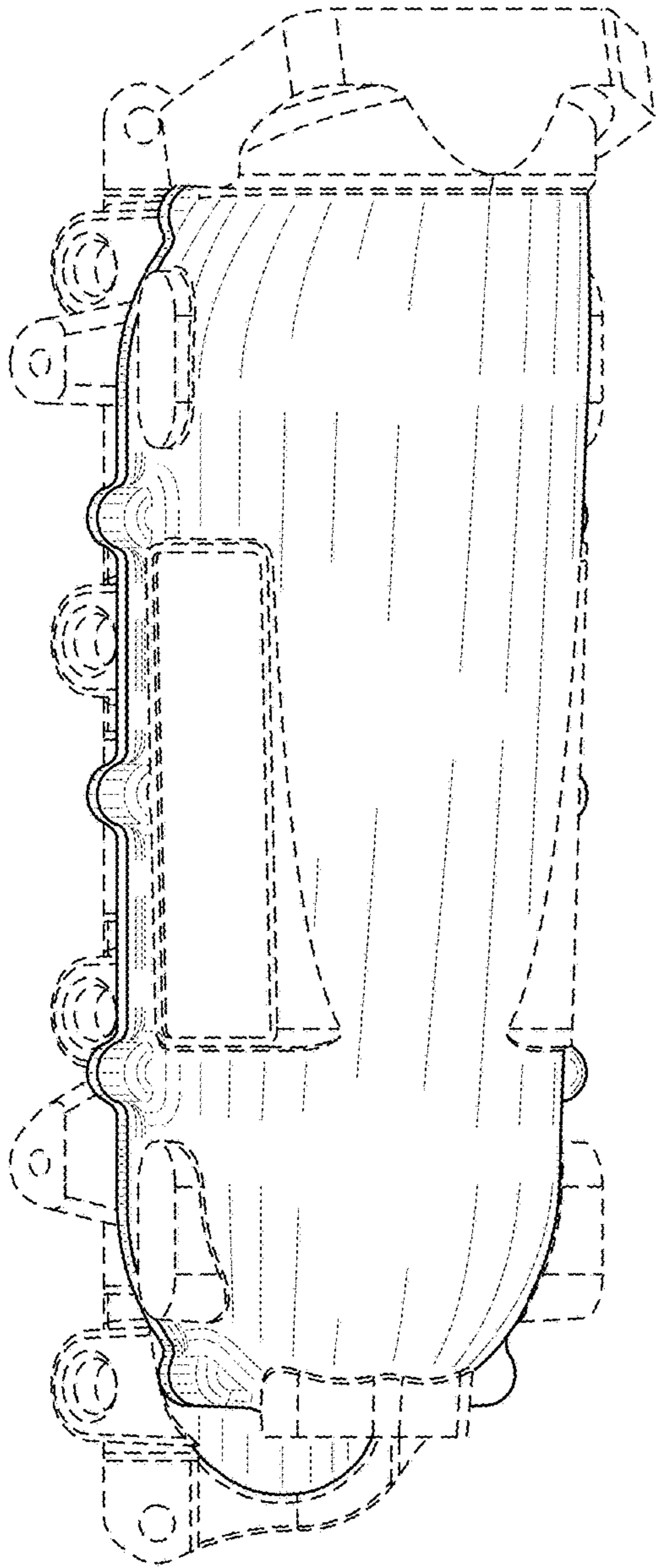
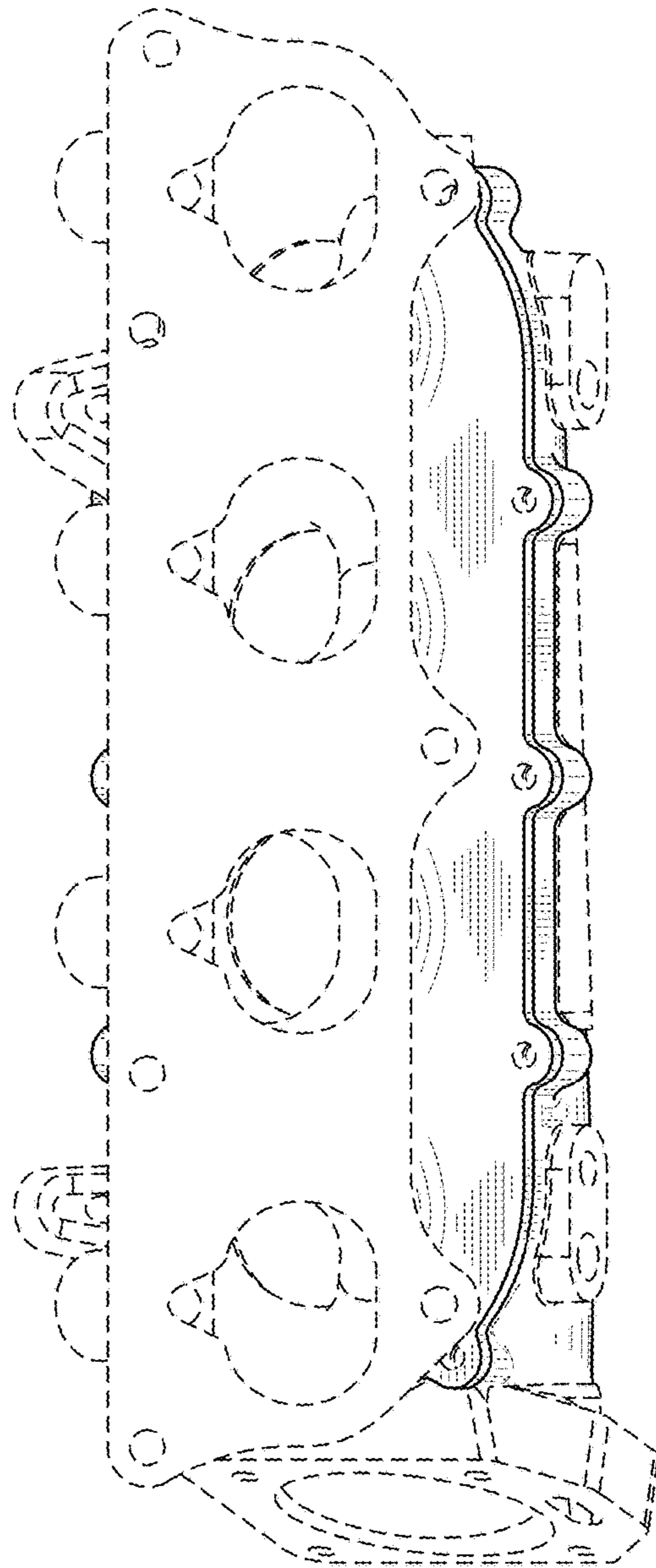
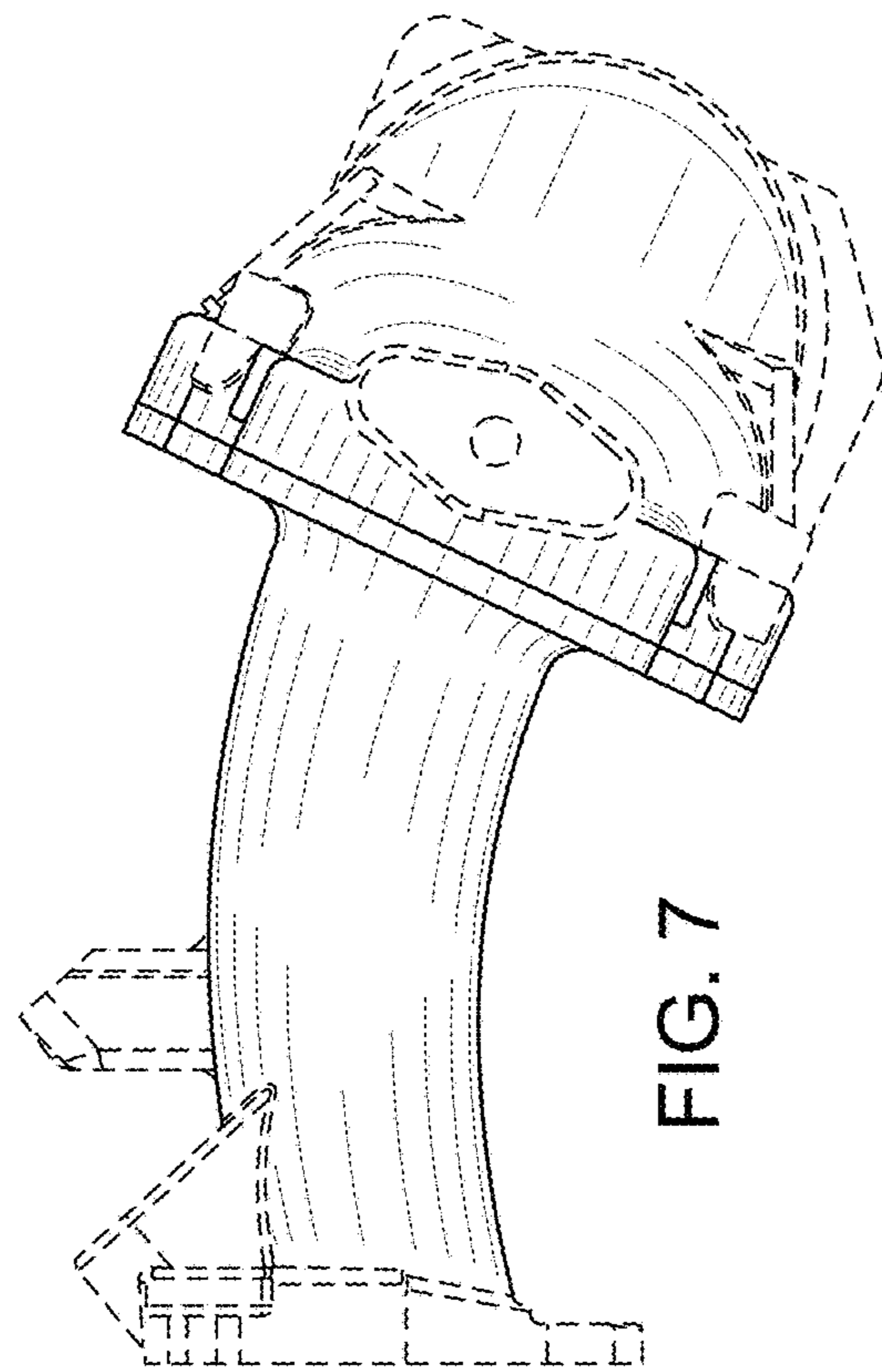
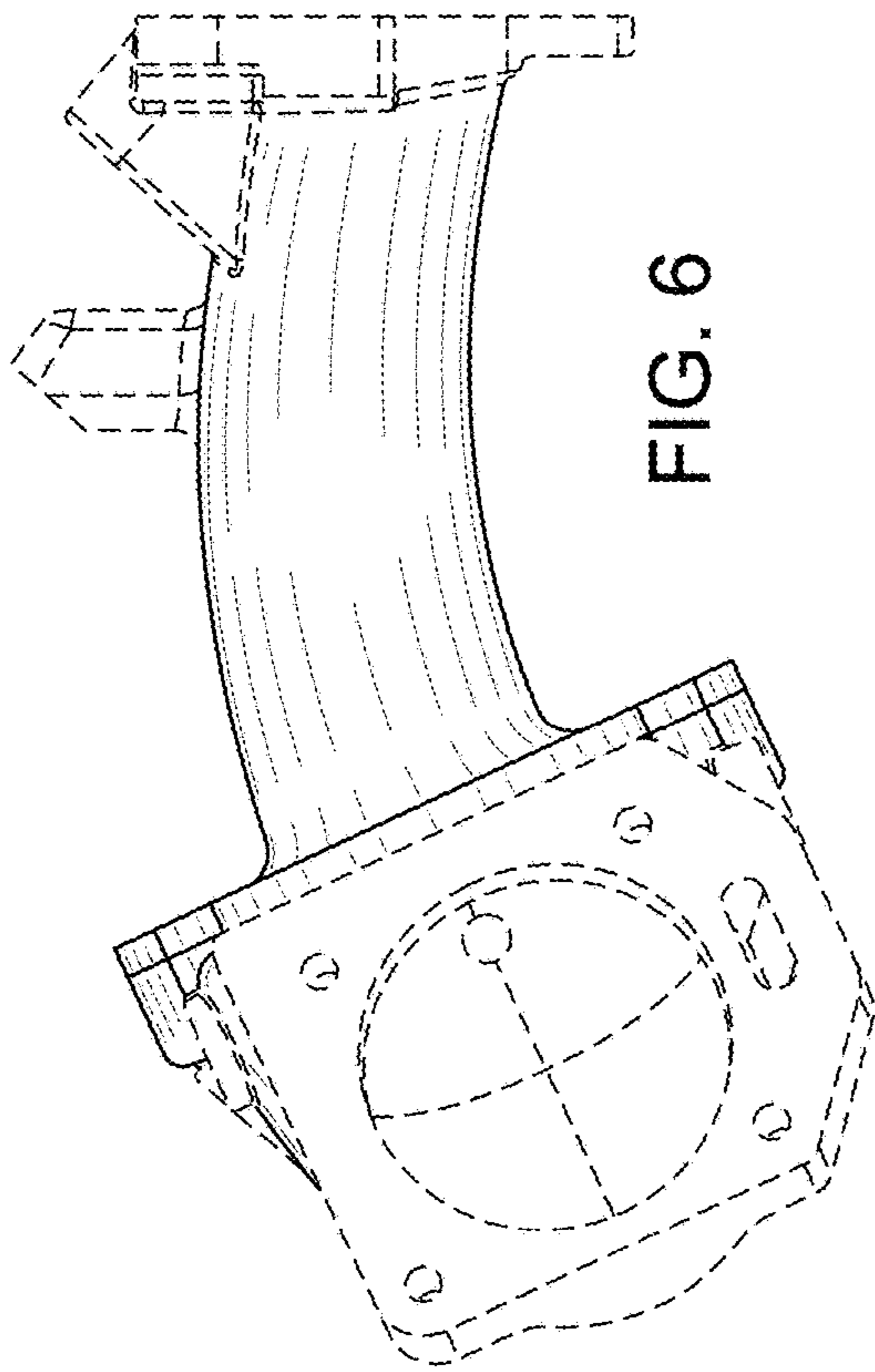


FIG. 5





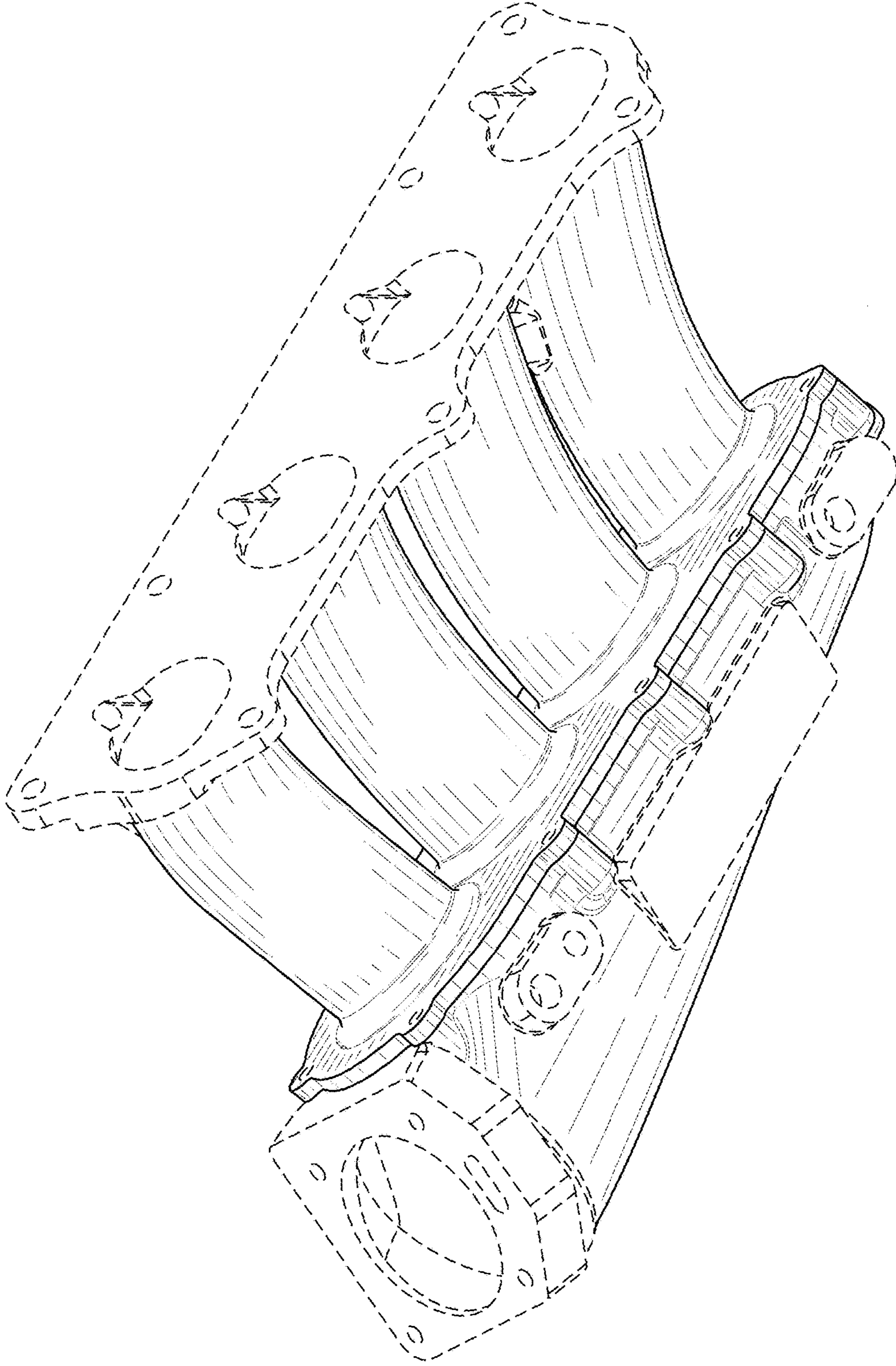


FIG. 8