



US00D788172S

(12) **United States Design Patent** (10) **Patent No.:** **US D788,172 S**
Itomi (45) **Date of Patent:** **** May 30, 2017**

(54) **CLUTCH RETAINER**

(71) Applicant: **Shoji Itomi, Mie (JP)**

(72) Inventor: **Shoji Itomi, Mie (JP)**

(73) Assignee: **NTN CORPORATION, Osaka (JP)**

(**) Term: **14 Years**

(21) Appl. No.: **29/500,750**

(22) Filed: **Aug. 28, 2014**

(30) **Foreign Application Priority Data**

Feb. 28, 2014 (JP) 2014-004278

(51) **LOC (10) Cl.** **15-01**

(52) **U.S. Cl.**
USPC **D15/5; D12/124**

(58) **Field of Classification Search**
USPC D15/5, 148, 149; D12/122-127, 180;
192/223.2, 30
CPC F16D 41/105; F16D 41/061-41/064; F16D
41/067; F16D 41/066; F16D 41/07; F16D
41/086
See application file for complete search history.

(56) **References Cited**

U.S. PATENT DOCUMENTS

- 6,575,277 B1 * 6/2003 Torii F16D 41/067
192/12 B
D480,026 S * 9/2003 Reed D12/124
D681,058 S * 4/2013 Yamamoto D13/118
D727,361 S * 4/2015 Rabbitt D15/5
D732,084 S * 6/2015 Kuperman D15/5
D733,188 S * 6/2015 Rabbitt D15/5
2001/0017496 A1 * 8/2001 Torii F16D 41/064
310/77

- 2006/0278494 A1 * 12/2006 Itomi F16D 41/105
192/223.2
2010/0258391 A1 * 10/2010 Hochmuth F16D 41/105
188/166
2011/0108383 A1 * 5/2011 Savu F16D 41/066
192/45.019
2015/0075935 A1 * 3/2015 Kitayama F16D 41/086
192/45.004
2015/0144450 A1 * 5/2015 Chambonneau F16D 41/064
192/45.006

* cited by examiner

Primary Examiner — Susan Bennett Hattan

Assistant Examiner — Brett Miller

(74) *Attorney, Agent, or Firm* — Wenderoth, Lind & Ponack, L.L.P.

(57) **CLAIM**

The ornamental design for a clutch retainer, as shown and described.

DESCRIPTION

FIG. 1 is a perspective view of a clutch retainer, showing its new design;
 FIG. 2 is a front view thereof;
 FIG. 3 is a top plan view thereof;
 FIG. 4 is a back view thereof;
 FIG. 5 is a right-hand side view thereof;
 FIG. 6 is a reference front view thereof;
 FIG. 7 is a sectional view taken along line 7-7 of FIG. 6; and,
 FIG. 8 is an exploded perspective view of a clutch in which the retainer shown in FIG. 1 is used.
 The bottom plan view and the left-hand side view are omitted because these views are mirror images of the top plan view and the right-hand side view respectively.

1 Claim, 4 Drawing Sheets

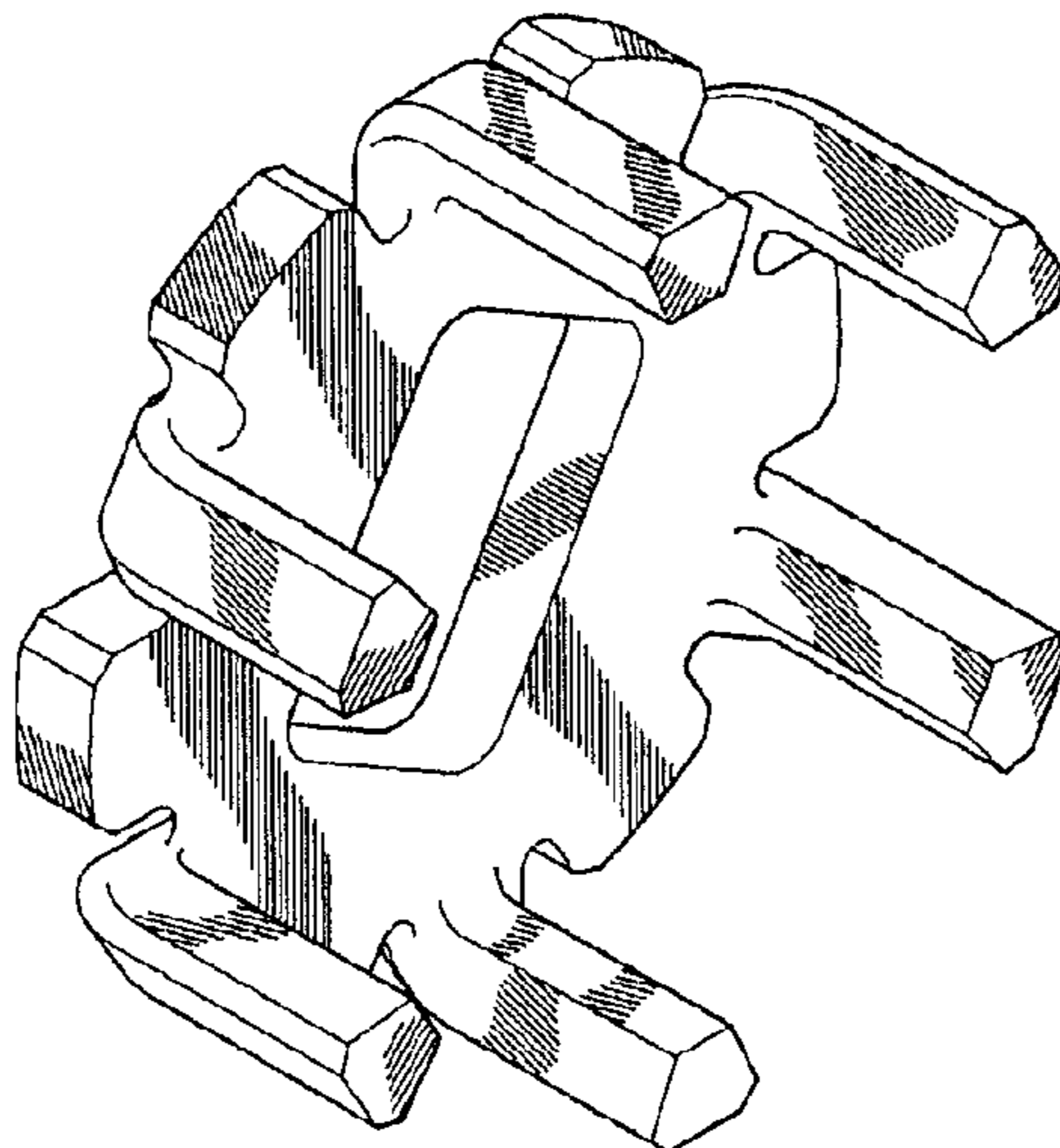


Fig. 1

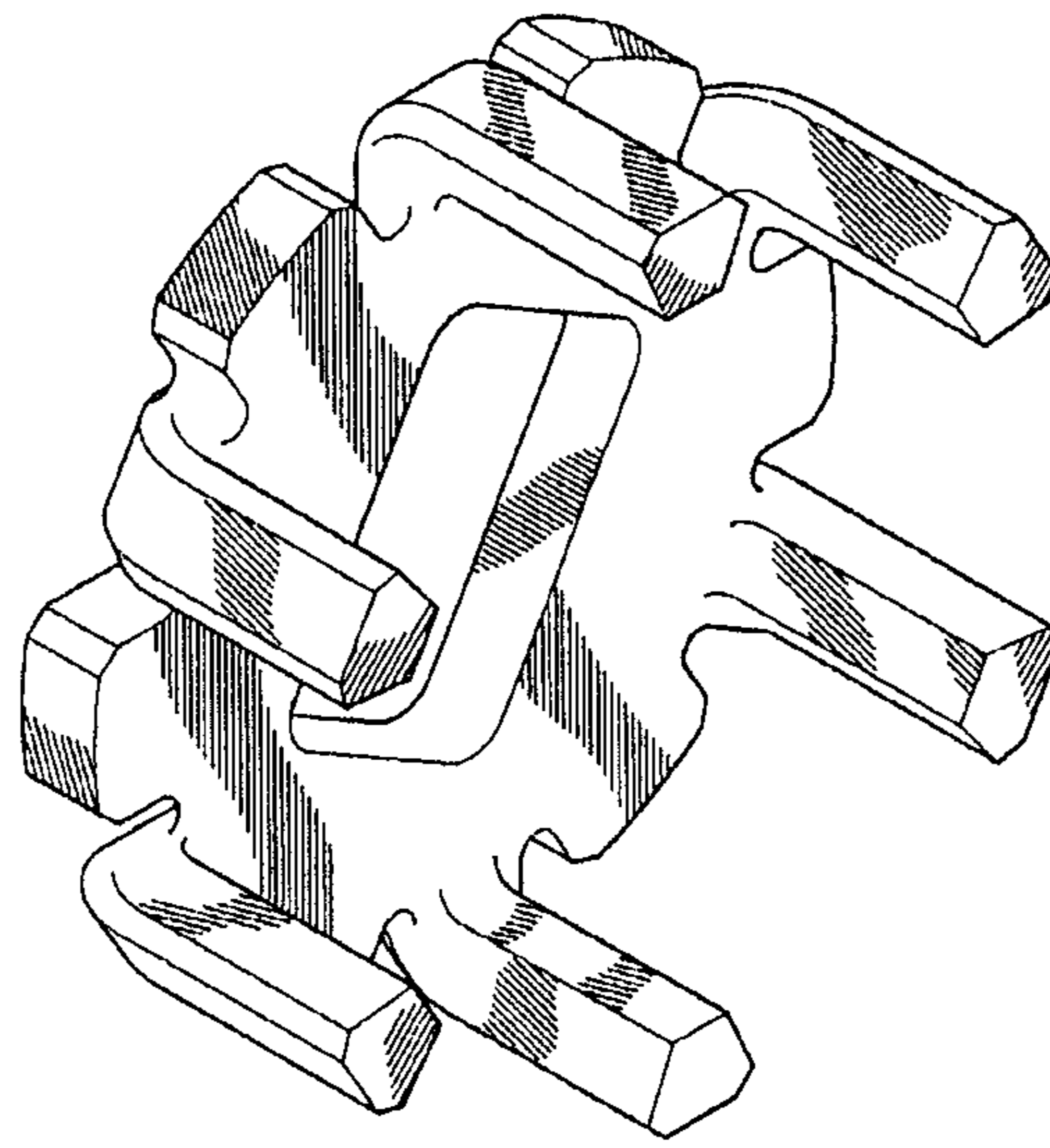


FIG. 2

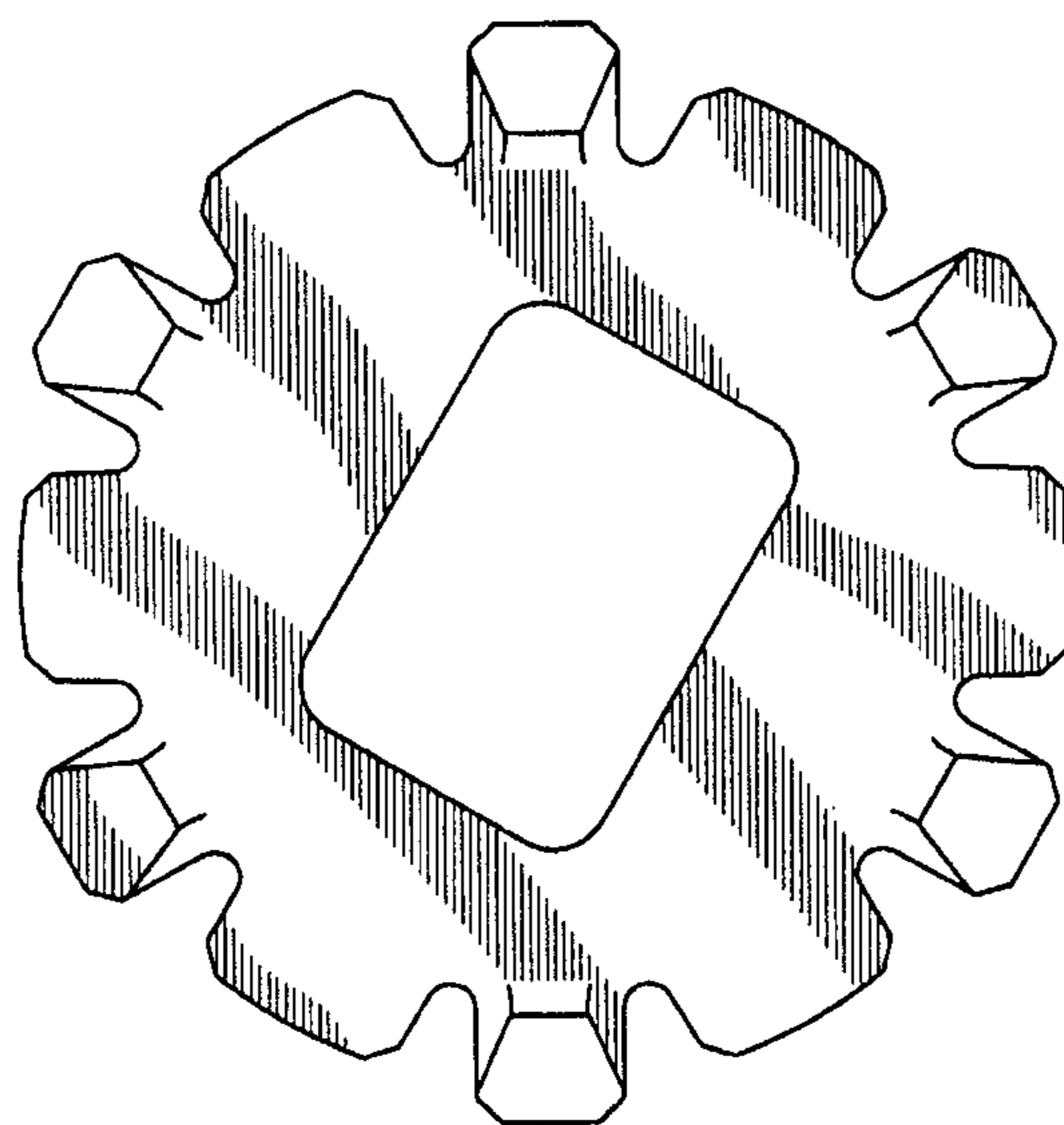


Fig. 3

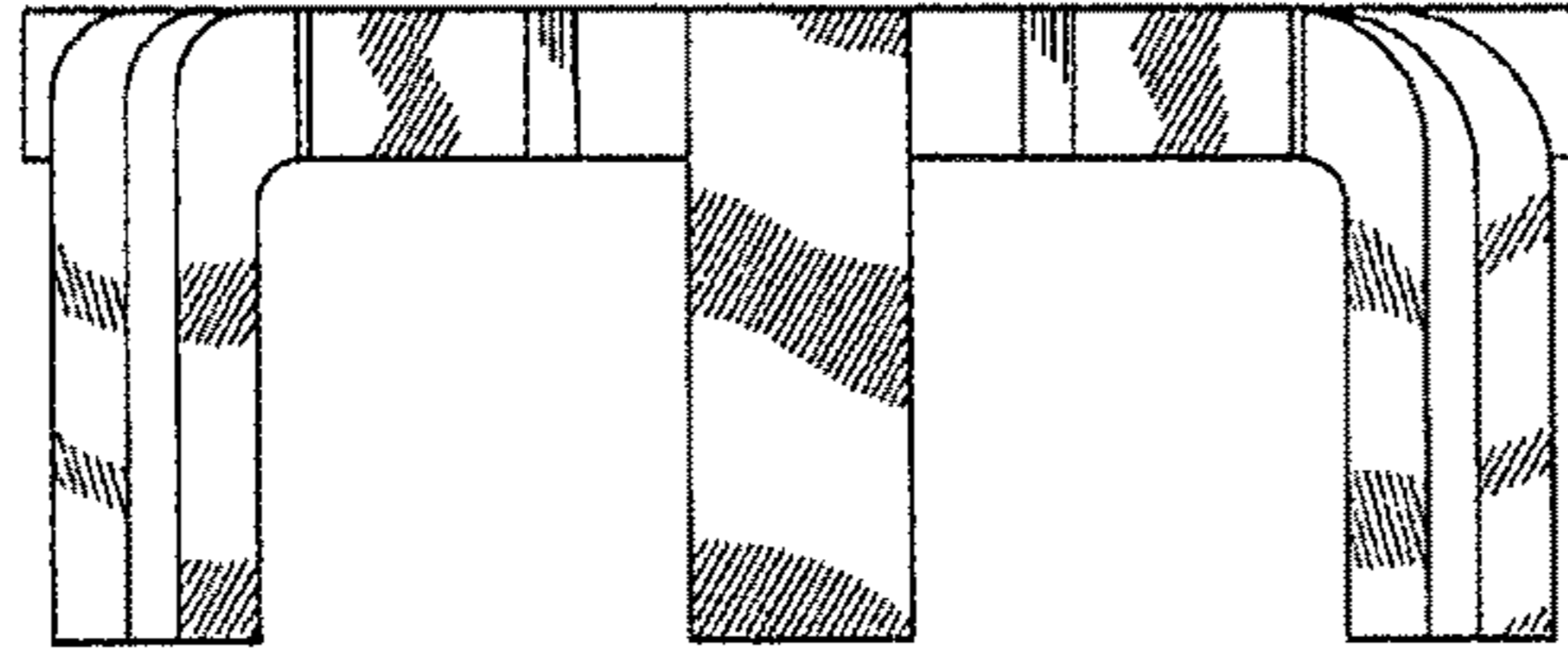


Fig. 4

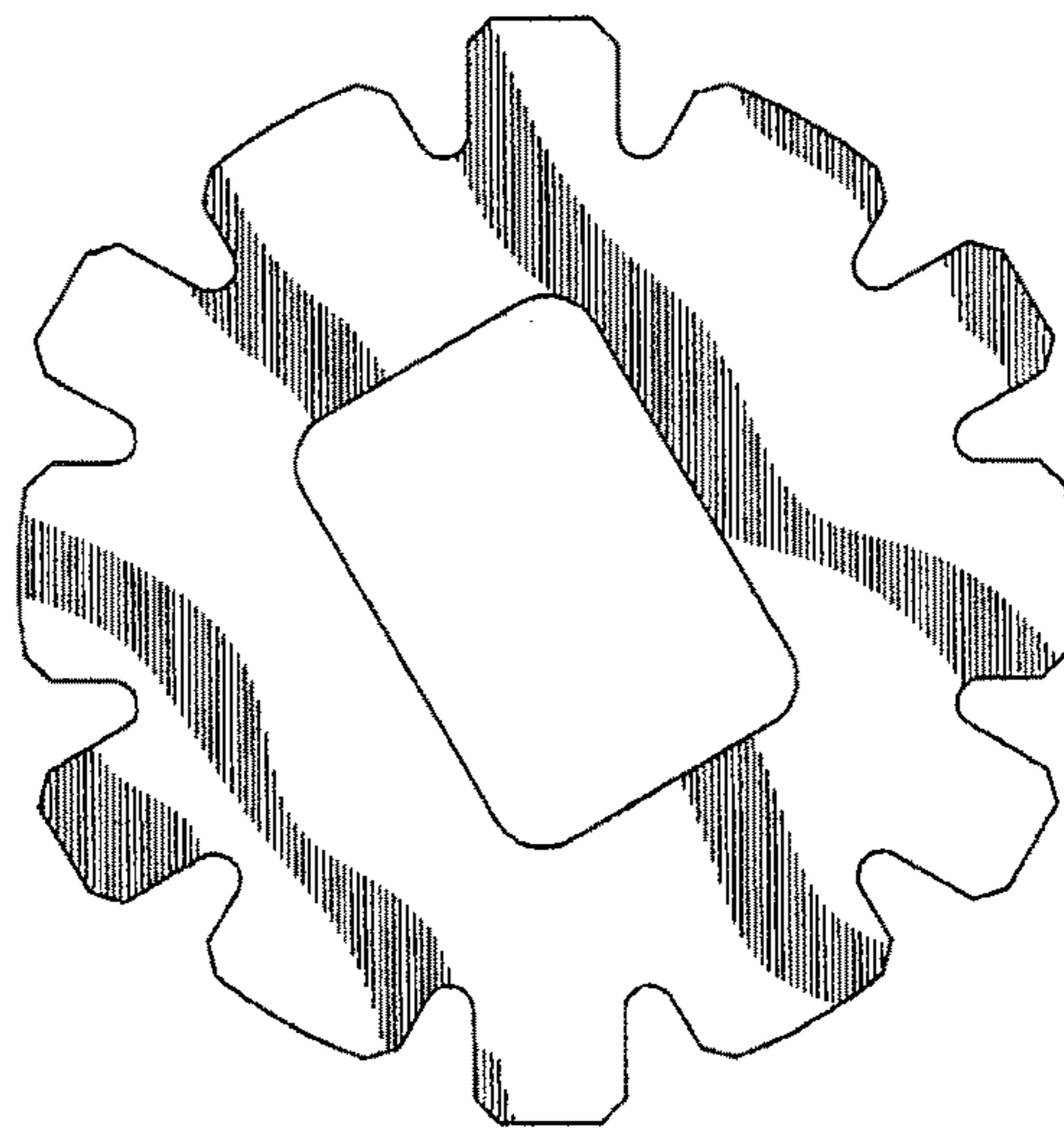


Fig. 5

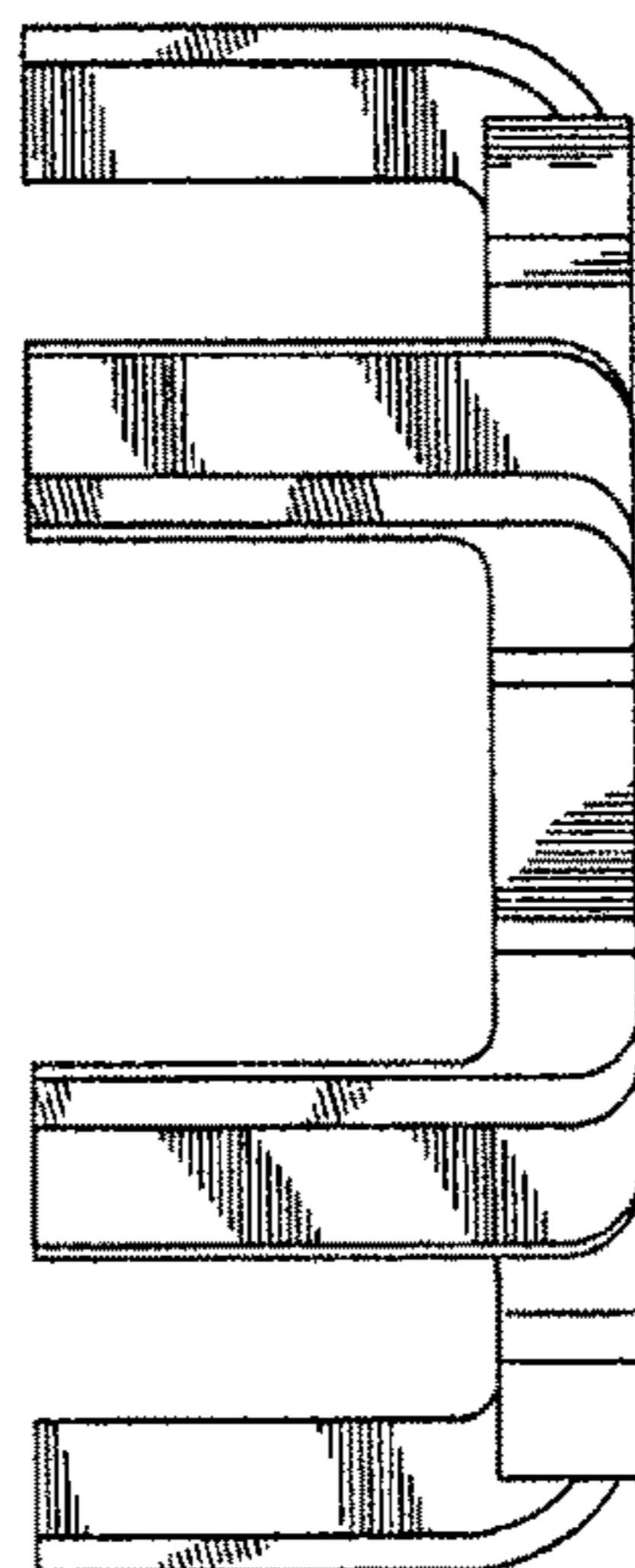


Fig. 6

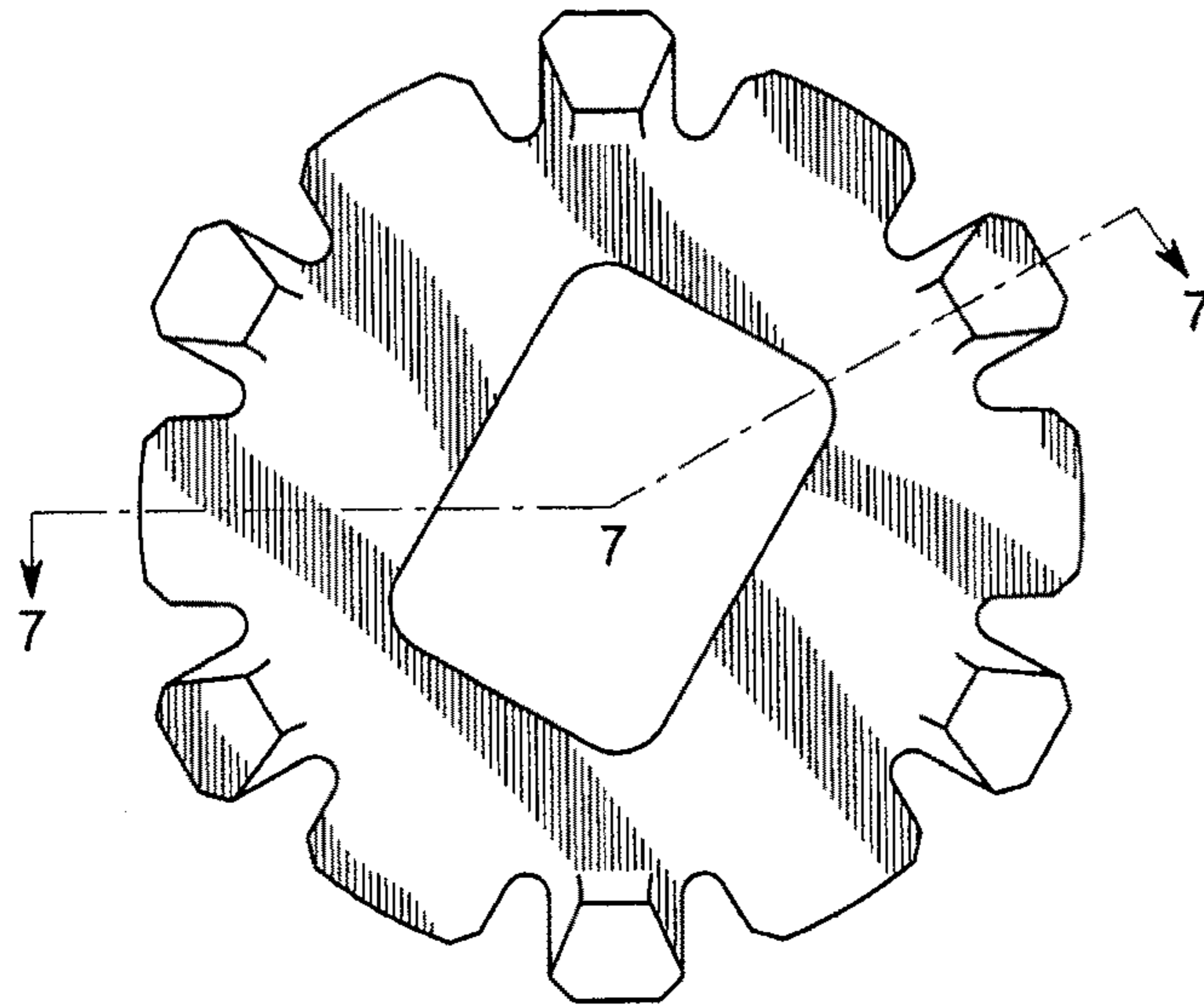


Fig. 7

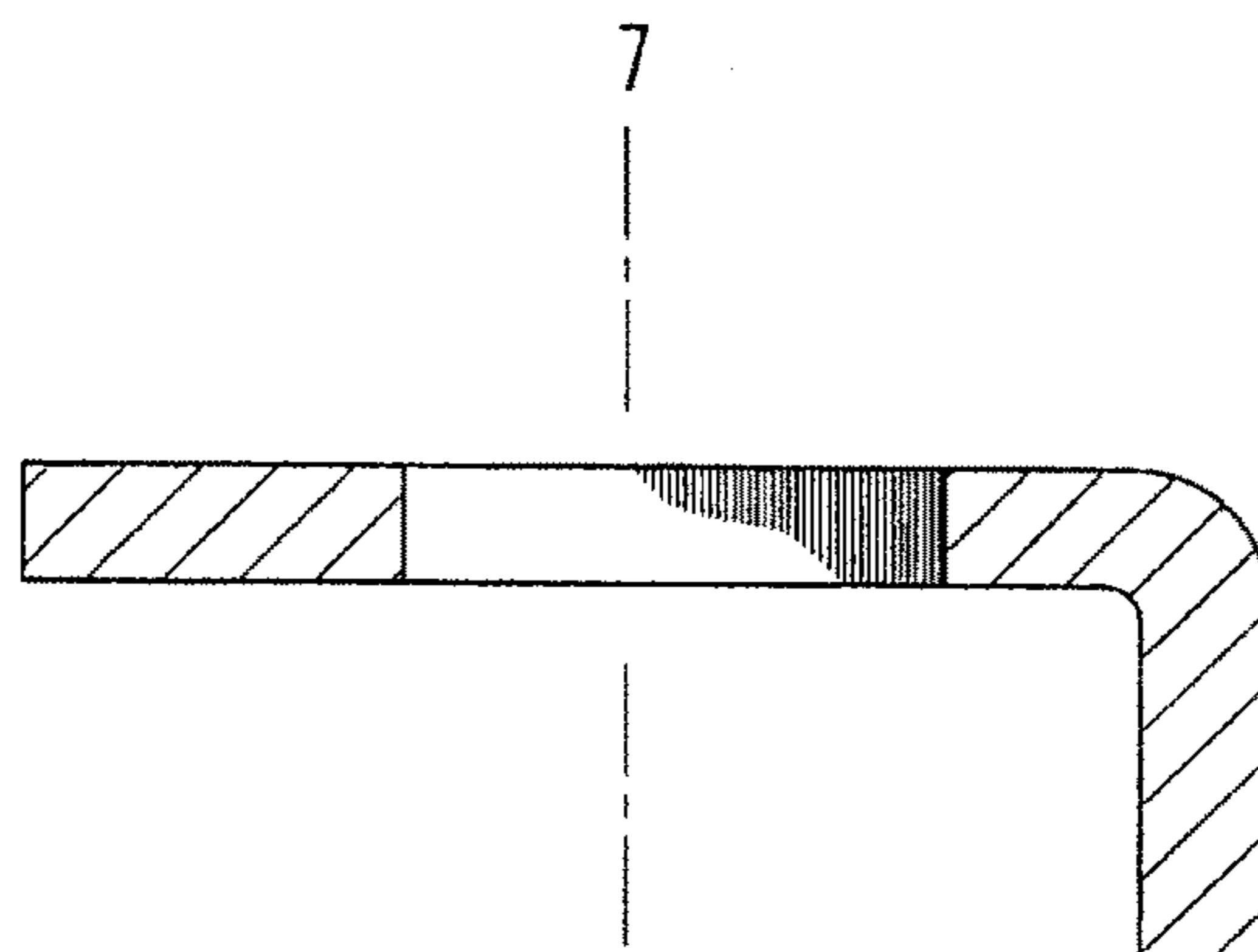


Fig. 8

