



US00D788171S

(12) **United States Design Patent** (10) **Patent No.:** **US D788,171 S**
Itomi (45) **Date of Patent:** **** May 30, 2017**

(54) **CLUTCH RETAINER**
(71) Applicant: **Shoji Itomi, Mie (JP)**
(72) Inventor: **Shoji Itomi, Mie (JP)**
(73) Assignee: **NTN CORPORATION, Osaka (JP)**
(**) Term: **14 Years**

2006/0278494 A1* 12/2006 Itomi F16D 41/105
192/223.2
2010/0258391 A1* 10/2010 Hochmuth F16D 41/105
188/166
2011/0108383 A1* 5/2011 Savu F16D 41/066
192/45.019
2015/0075935 A1* 3/2015 Kitayama F16D 41/086
192/45.004
2015/0144450 A1* 5/2015 Chambonneau F16D 41/064
192/45.006

(21) Appl. No.: **29/500,749**
(22) Filed: **Aug. 28, 2014**

* cited by examiner

(30) **Foreign Application Priority Data**

Primary Examiner — Susan Bennett Hattan
Assistant Examiner — Brett Miller
(74) *Attorney, Agent, or Firm* — Wenderoth, Lind & Ponack, L.L.P.

Feb. 28, 2014 (JP) 2014-004277

(51) **LOC (10) Cl.** **15-01**

(57) **CLAIM**

(52) **U.S. Cl.**
USPC **D15/5; D12/124**

The ornamental design for a clutch retainer, as shown and described.

(58) **Field of Classification Search**
USPC D15/5, 148, 149; D12/122–127, 180;
192/223.2, 30
CPC F16D 41/105; F16D 41/061–41/064; F16D
41/067; F16D 41/066; F16D 41/07; F16D
41/086
See application file for complete search history.

DESCRIPTION

(56) **References Cited**

FIG. 1 is a perspective view of a clutch retainer, showing its new design;
FIG. 2 is a front view thereof;
FIG. 3 is a top plan view thereof;
FIG. 4 is a back view thereof;
FIG. 5 is a right-hand side view thereof;
FIG. 6 is a reference front view thereof;
FIG. 7 is a sectional view taken along line 7-7 of FIG. 6; and,
FIG. 8 is an exploded perspective view of a clutch in which the retainer shown in FIG. 1 is used.
The bottom plan view and the left-hand side view are omitted because these views are mirror images of the top plan view and the right-hand side view respectively.

U.S. PATENT DOCUMENTS

6,575,277 B1* 6/2003 Torii F16D 41/067
192/12 B
D480,026 S * 9/2003 Reed D12/124
D681,058 S * 4/2013 Yamamoto D13/118
D727,361 S * 4/2015 Rabbitt D15/5
D732,084 S * 6/2015 Kuperman D15/5
D733,188 S * 6/2015 Rabbitt D15/5
2001/0017496 A1* 8/2001 Torii F16D 41/064
310/77

1 Claim, 4 Drawing Sheets

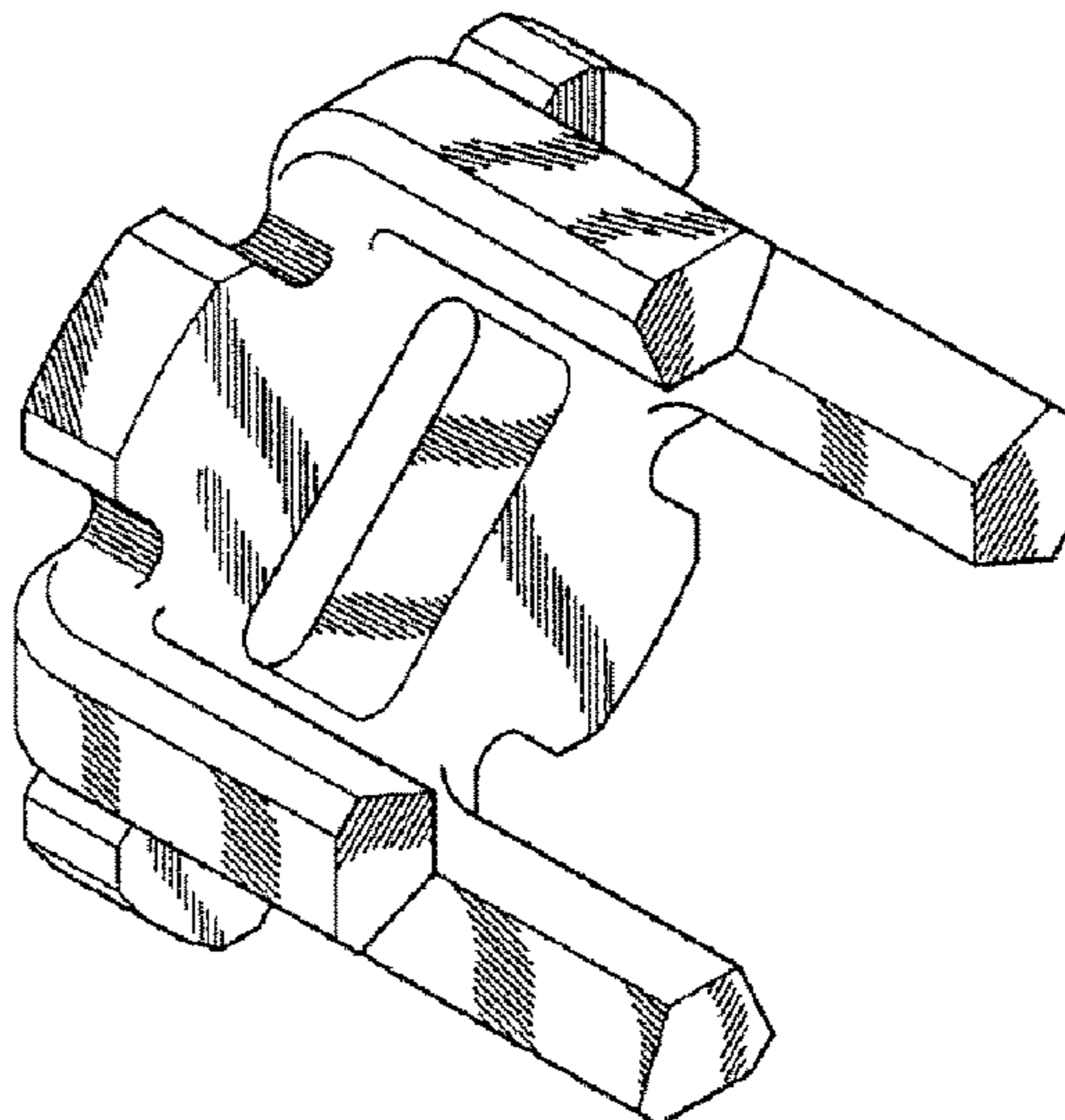


Fig. 1

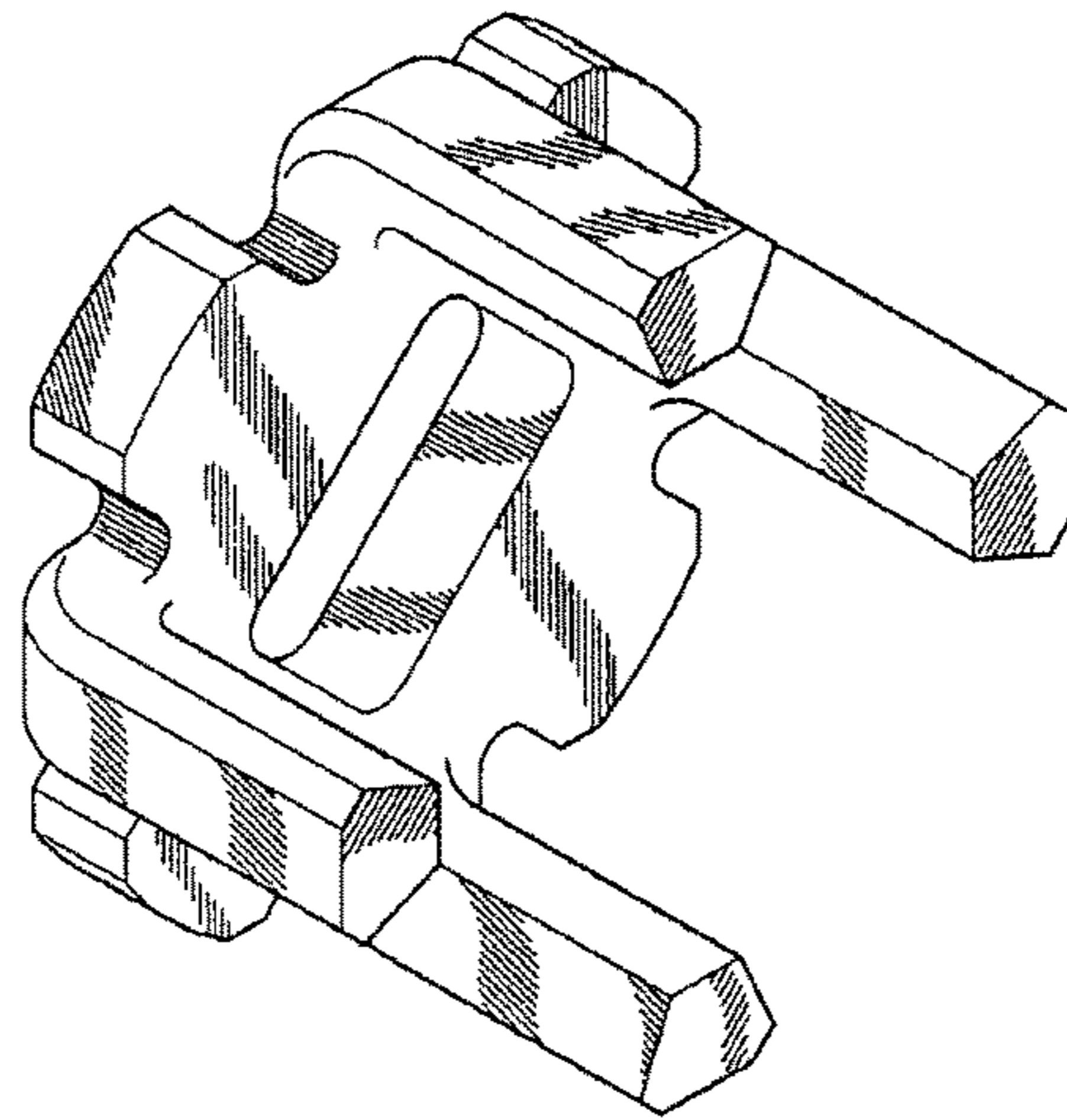


Fig. 2

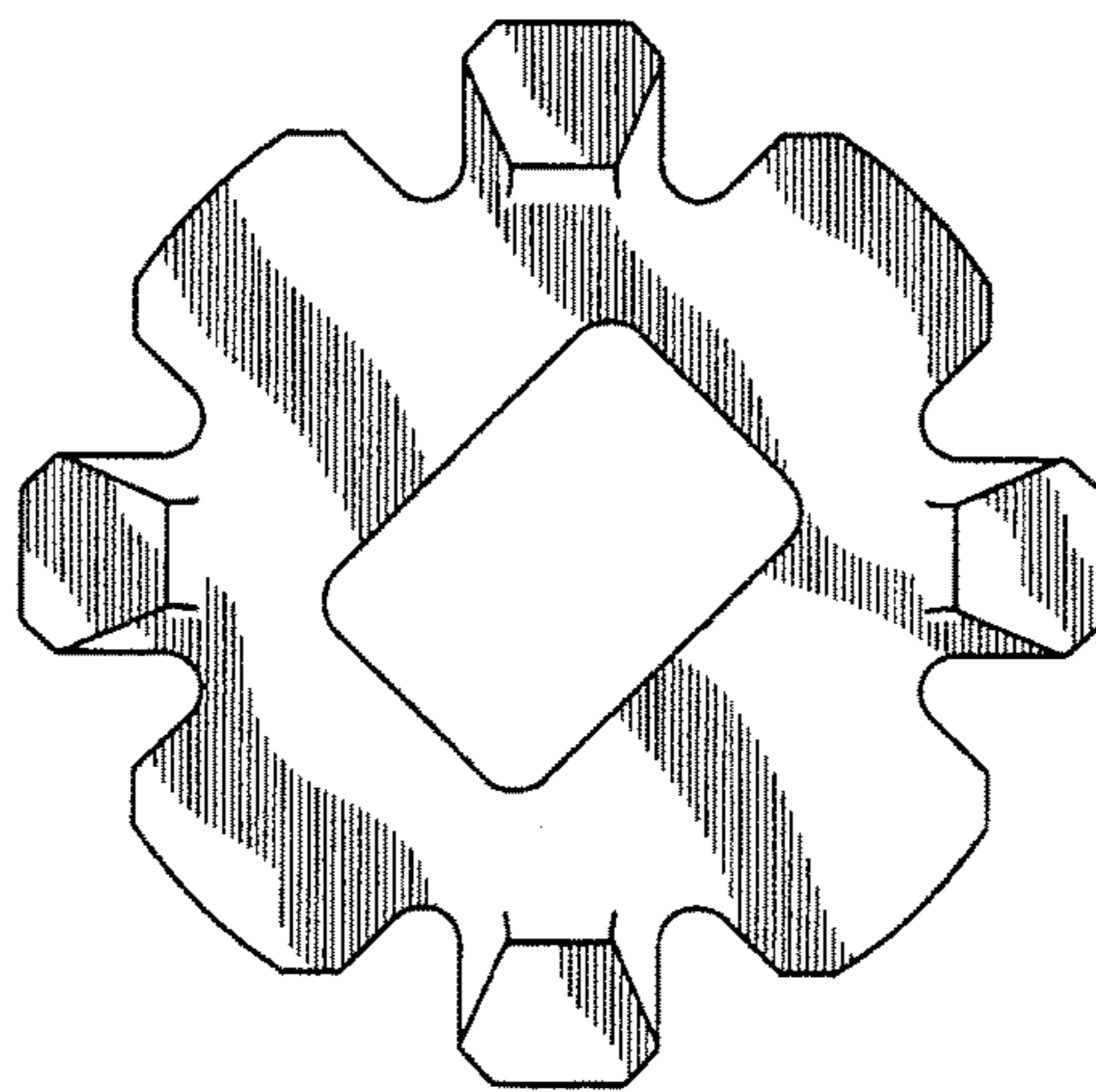


Fig. 3

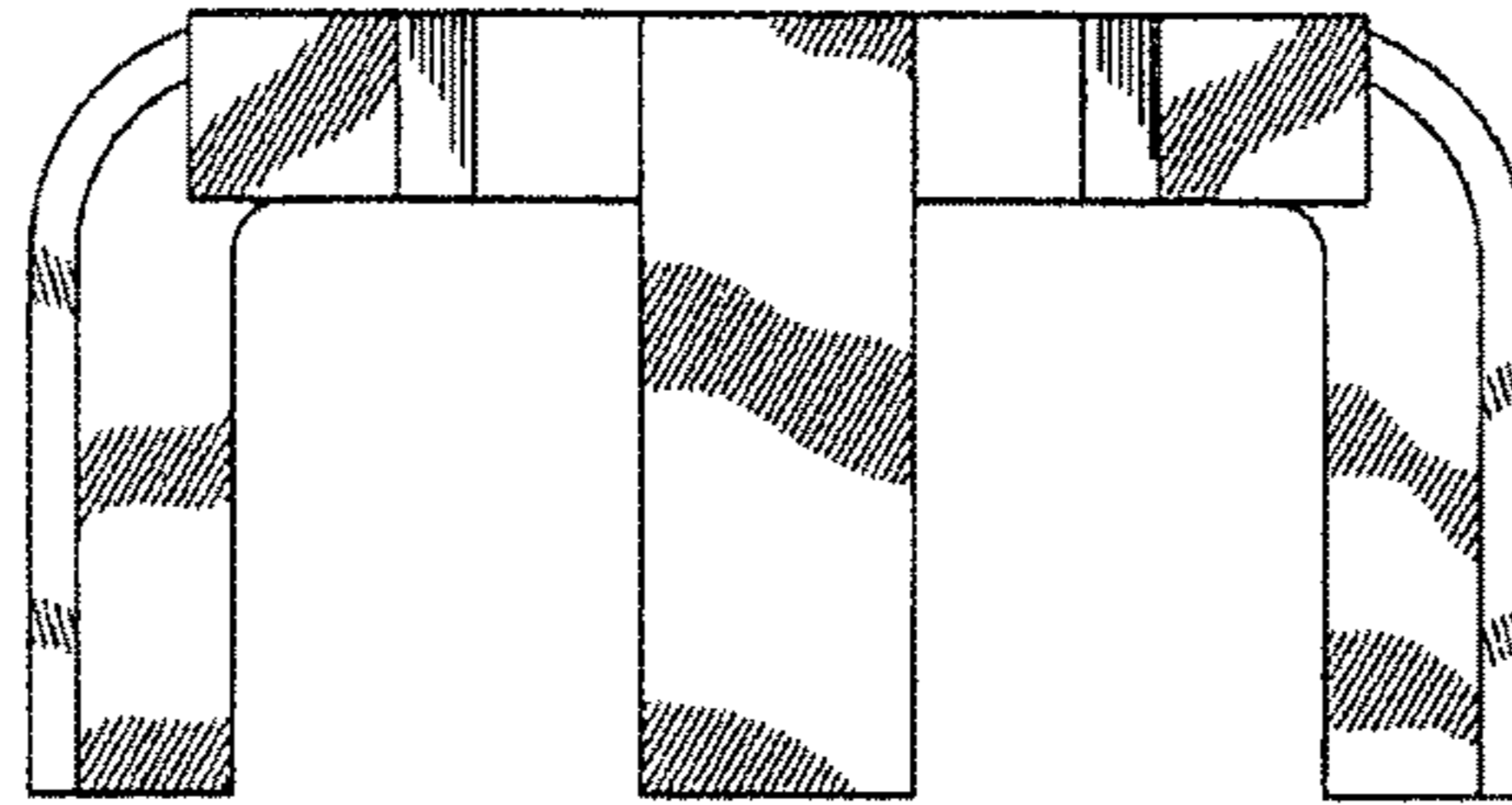


Fig. 4

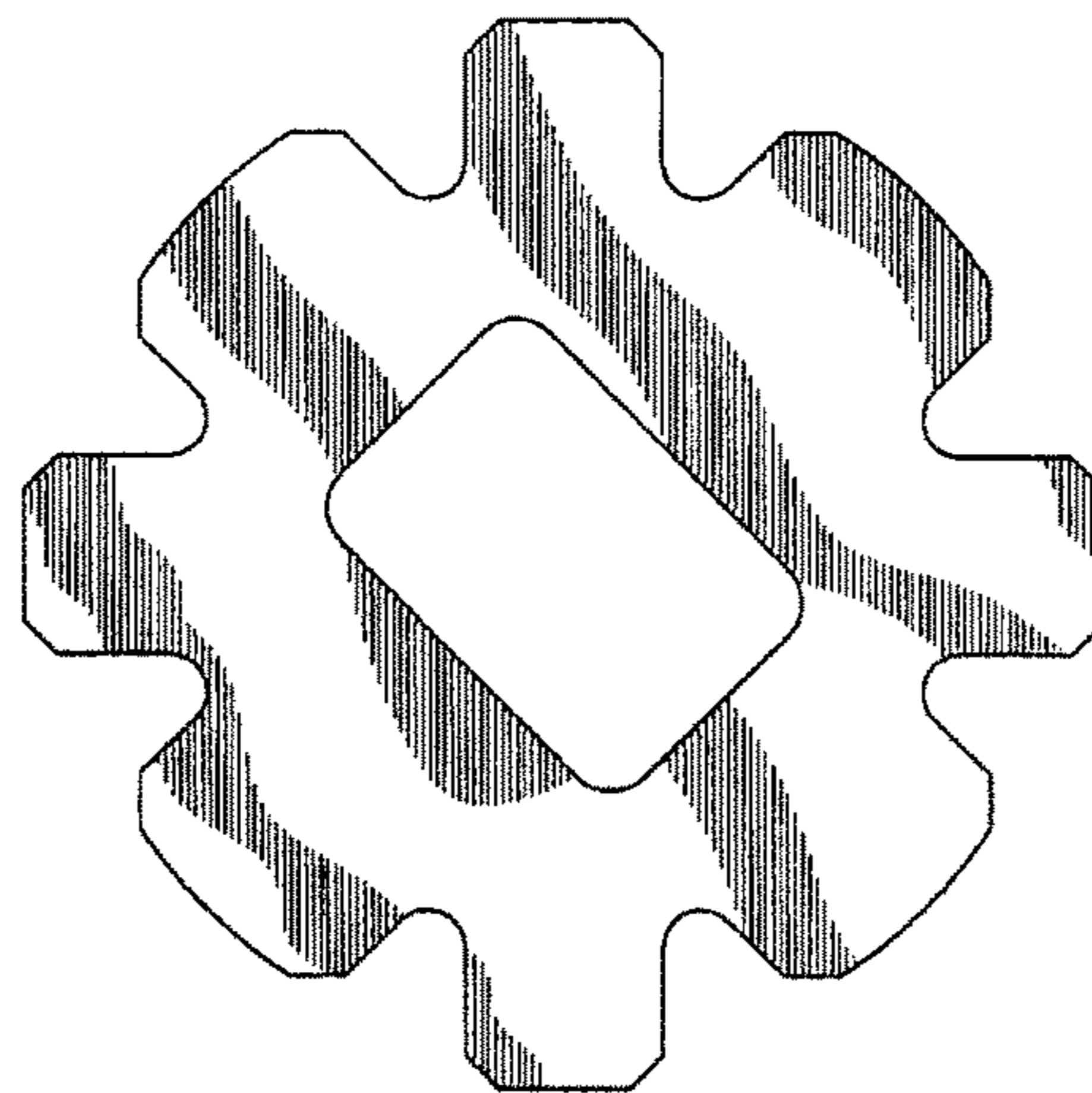


Fig. 5

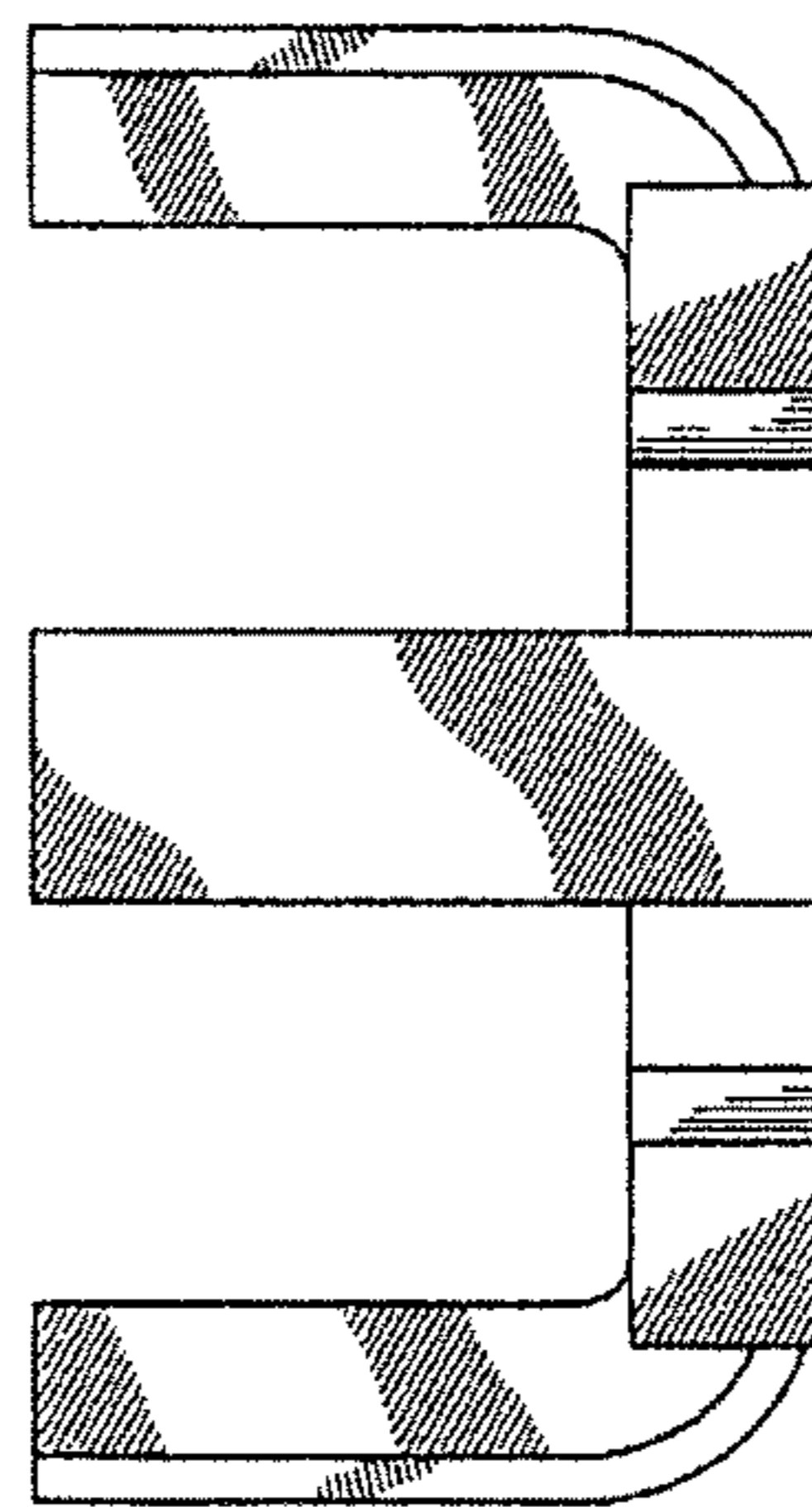


Fig. 6

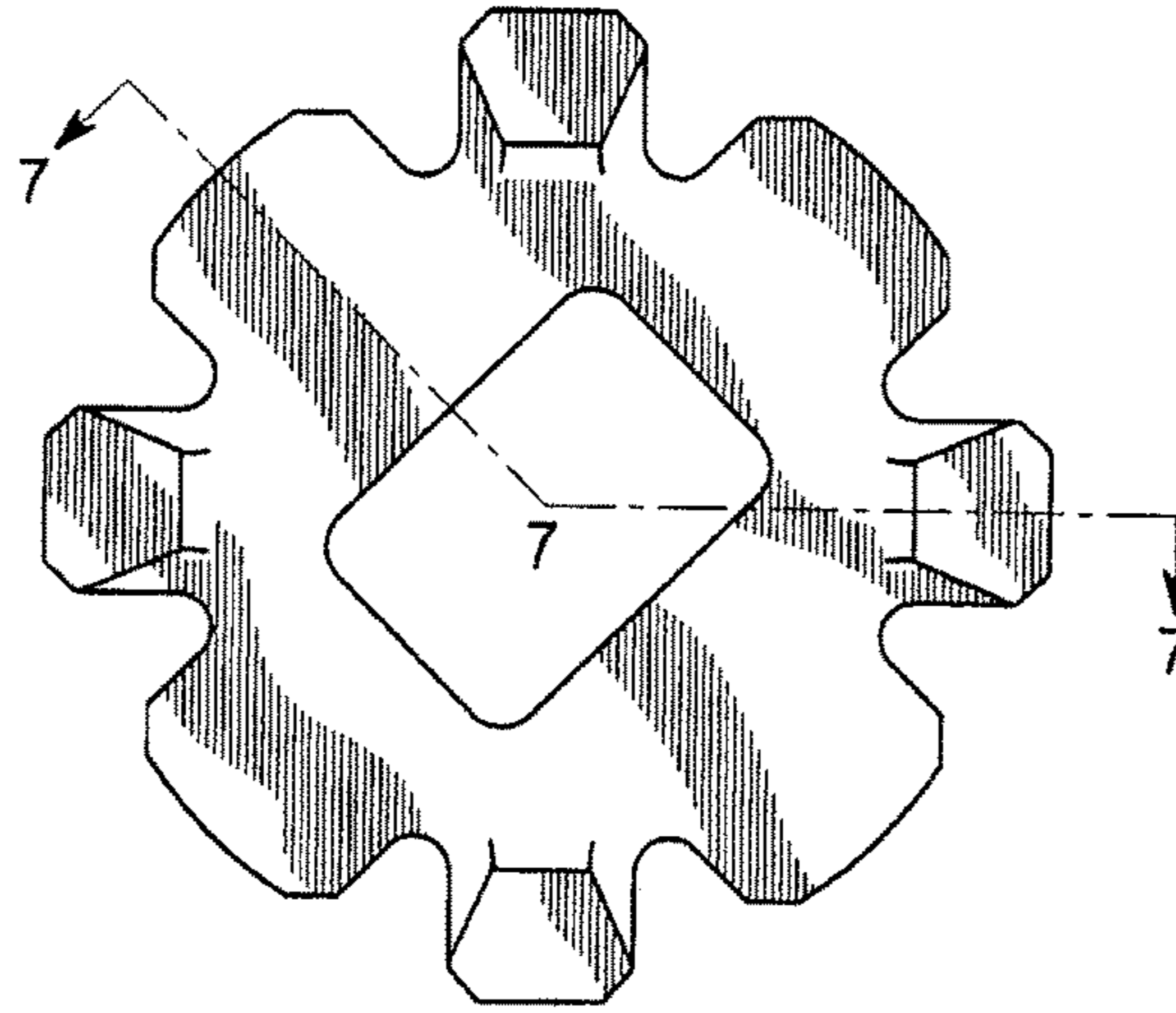


Fig. 7

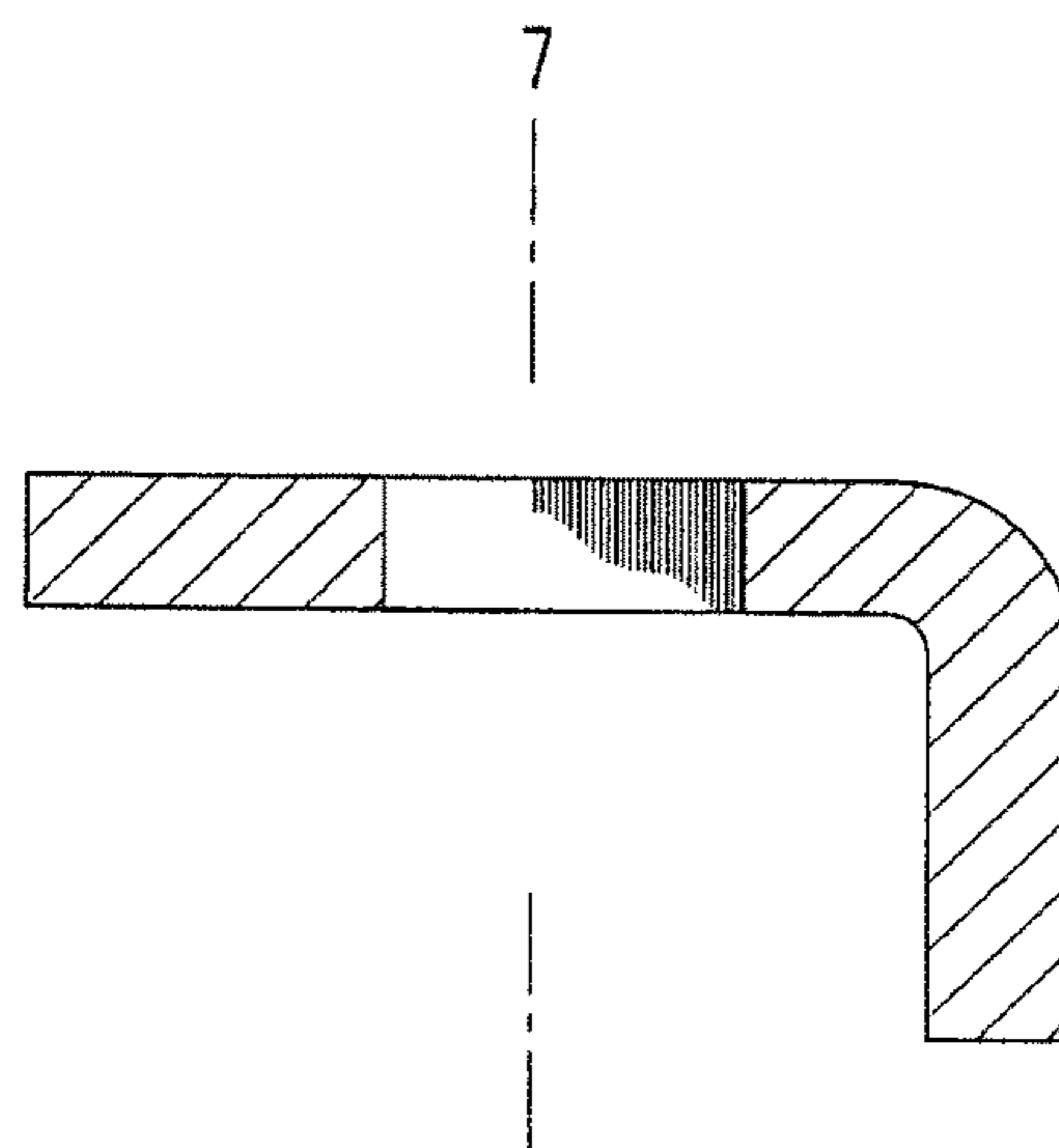


Fig. 8

