



US00D788166S

(12) **United States Design Patent** (10) **Patent No.:** **US D788,166 S**
Hsu et al. (45) **Date of Patent:** **** May 30, 2017**

(54) **DISPLAY SCREEN WITH ANIMATED GRAPHICAL USER INTERFACE**

(71) Applicant: **Facebook, Inc.**, Menlo Park, CA (US)

(72) Inventors: **Joyce Hsu**, Oakland, CA (US); **Charles Matthew Sutton**, San Francisco, CA (US); **Cliff Warren**, San Francisco, CA (US)

(73) Assignee: **Facebook, Inc.**, Menlo Park, CA (US)

(**) Term: **15 Years**

(21) Appl. No.: **29/557,257**

(22) Filed: **Mar. 7, 2016**

(51) **LOC (10) Cl.** **14-04**

(52) **U.S. Cl.**
USPC **D14/489**

(58) **Field of Classification Search**
USPC D14/485–495; D10/42, 46.1, 47, 49, 67; D21/329, 330
CPC G06F 3/04815; G06F 3/04817; G06F 3/0482; G06F 3/04842; B60H 1/00985; G06Q 10/06398; G01C 1/00; G01C 23/00
See application file for complete search history.

(56) **References Cited**

U.S. PATENT DOCUMENTS

D550,696 S *	9/2007	Kortum	D14/491
D626,143 S *	10/2010	Karten	D14/491
D651,613 S *	1/2012	Ouilhet	D14/491
D667,842 S *	9/2012	Ouilhet	D14/489
D681,649 S *	5/2013	Fletcher	D14/485
D706,826 S *	6/2014	McLean	D14/491

(Continued)

OTHER PUBLICATIONS

Constine, Josh, "Facebook will turn panoramas into "360 Photos" for feed and Gear VR's 1M users", posted at techcrunch.com, May

11, 2016, [site visited Jan. 9, 2017]. available from Internet: <<https://techcrunch.com/2016/05/11/facebook-360-photos>>.*
"Vieweeet 360", posted at youtube.com, Dec. 10, 2014, [site visited Jan. 9, 2017]. Available from Internet: <<https://www.youtube.com/watch?v=Rjp5061COyl>>.*

(Continued)

Primary Examiner — Karen Kearney

Assistant Examiner — John Otte

(74) *Attorney, Agent, or Firm* — Sheppard Mullin Richter & Hampton LLP

(57) **CLAIM**

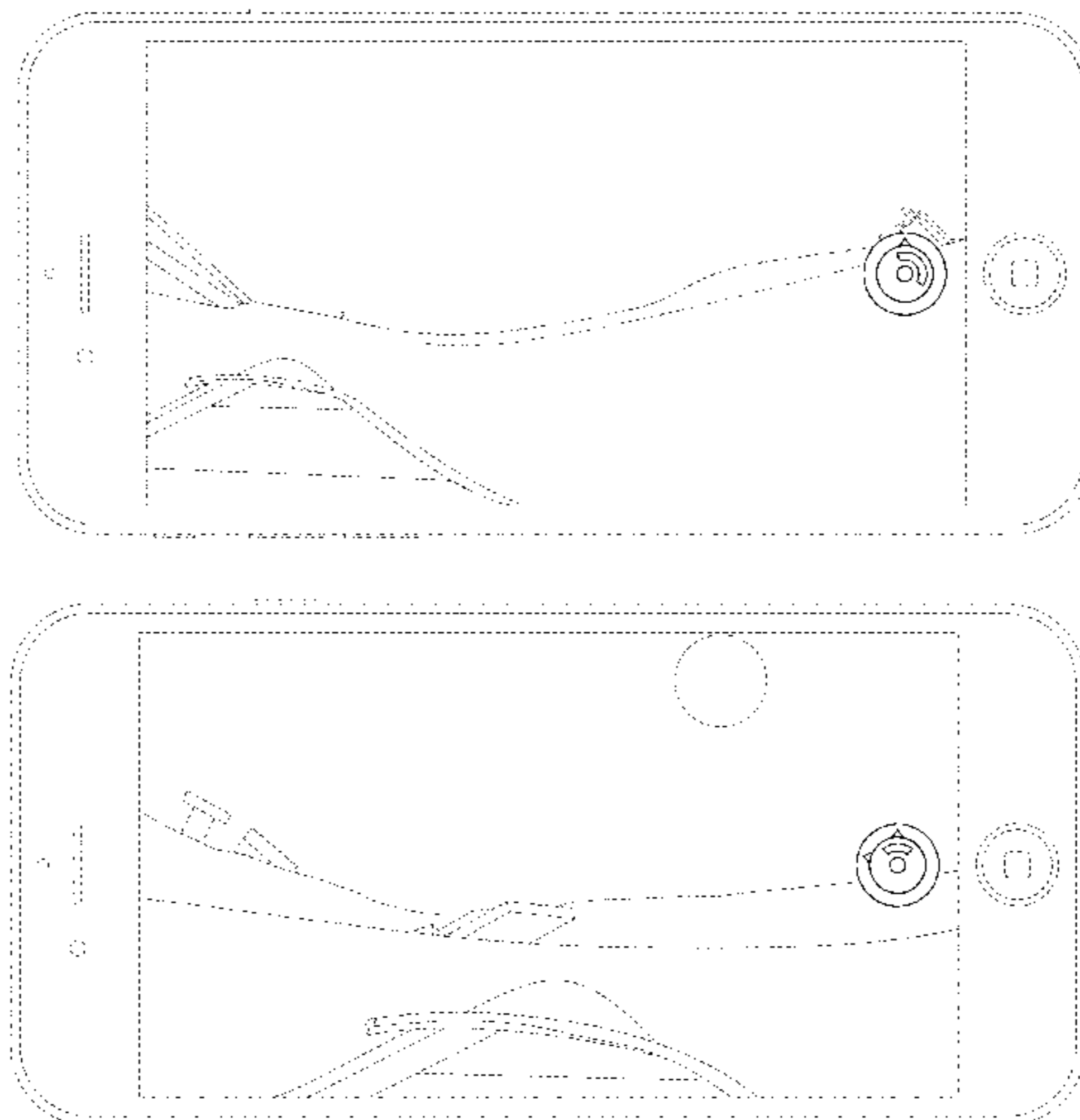
The ornamental design for a display screen with animated graphical user interface, as shown and described.

DESCRIPTION

FIG. 1 is a front view of a first image in a sequence for a display screen with animated graphical user interface; FIG. 2 is a front view of a second image thereof; FIG. 3 is a front view of a third image thereof; FIG. 4 is a front view of a fourth image thereof; FIG. 5 is a front view of a fifth image thereof; FIG. 6 is a front view of a sixth image thereof; FIG. 7 is a front view of a seventh image thereof; FIG. 8 is a front view of an eighth image thereof; FIG. 9 is a front view of a ninth image thereof; FIG. 10 is a front view of a tenth image thereof; FIG. 11 is a front view of an eleventh image thereof; FIG. 12 is a front view of a twelfth image thereof; FIG. 13 is a front view of a thirteenth image thereof; FIG. 14 is a front view of a fourteenth image thereof; FIG. 15 is a front view of a fifteenth image thereof; and, FIG. 16 is a front view of a sixteenth image thereof.

The appearance of the animated graphical user interface sequentially transitions between the images shown in FIGS. 1-16. The process or period in which an image transitions to another forms no part of the claimed design. The broken lines showings of the display screen, electronic device, text, and other features are environmental only and form no part of the claimed design.

1 Claim, 16 Drawing Sheets



(56)

References Cited

U.S. PATENT DOCUMENTS

D716,319 S * 10/2014 Fan D14/485
D739,872 S * 9/2015 Bang D14/488
D744,529 S * 12/2015 Guzman D14/489
D745,046 S * 12/2015 Shin D14/489
2007/0070066 A1* 3/2007 Bakhsh G06F 3/04815
345/419
2010/0141610 A1* 6/2010 Yoneji B60H 1/00985
345/184
2015/0142491 A1* 5/2015 Webb G06Q 10/06398
705/7.15

OTHER PUBLICATIONS

“Free Compass Icon Animation HD Green Screen”, posted at youtube.com, Jul. 23, 2014, [site visited Jan. 9, 2017]. Available from Internet: <https://www.youtube.com/watch?v=ZHgm_HRyNSU>.*

“Blackwell Speed/Distance/Time Calculator”, posted at sliderules.co.uk, Apr. 27, 2012, [site visited Jan. 10, 2017]. Available from Internet: <<http://sliderules.co.uk/circular/Circ-Pages/Blackwell%20Speed-Distance%20Calc.html>>.*

* cited by examiner

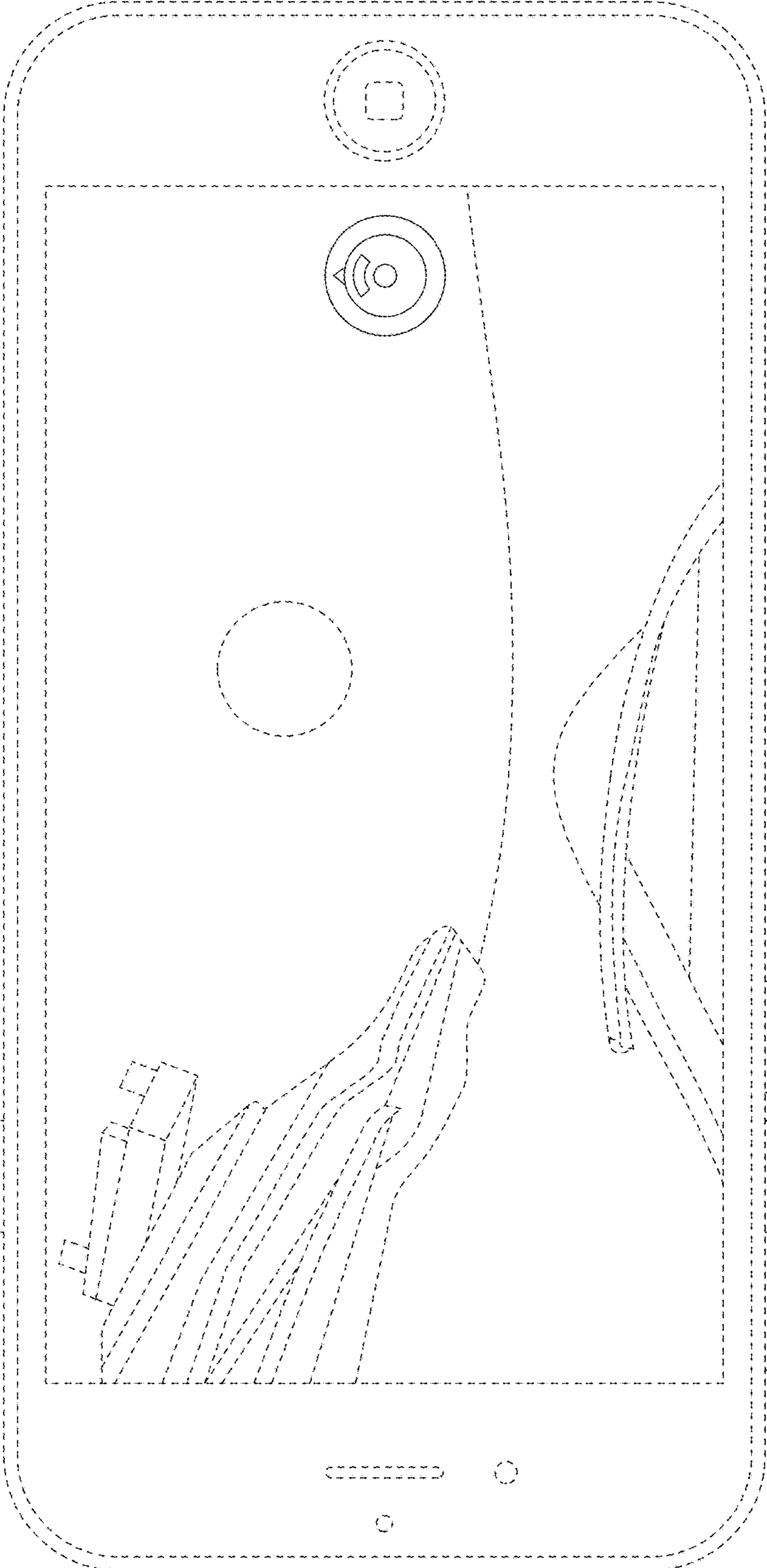


FIG. 1

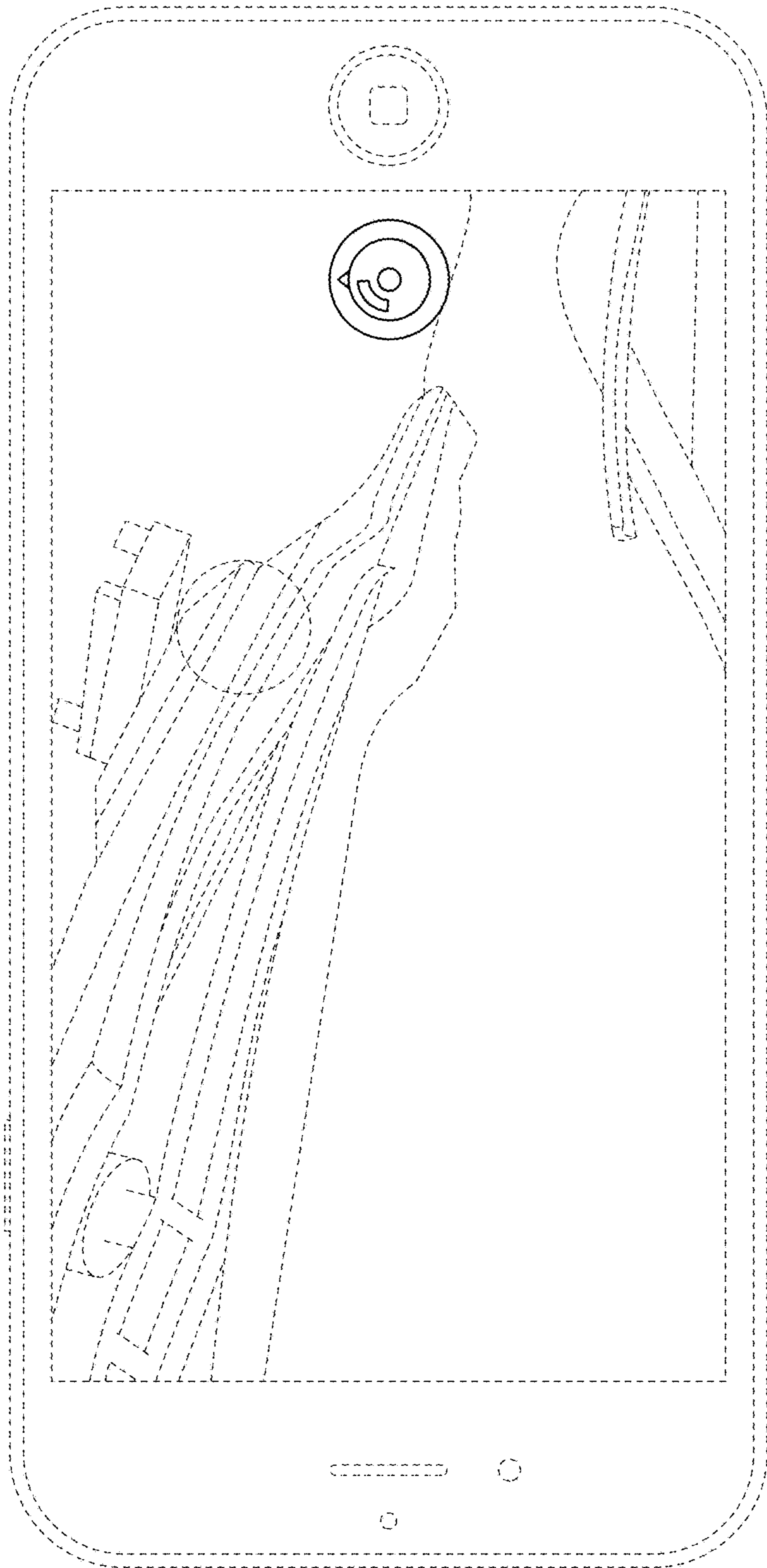


FIG. 2

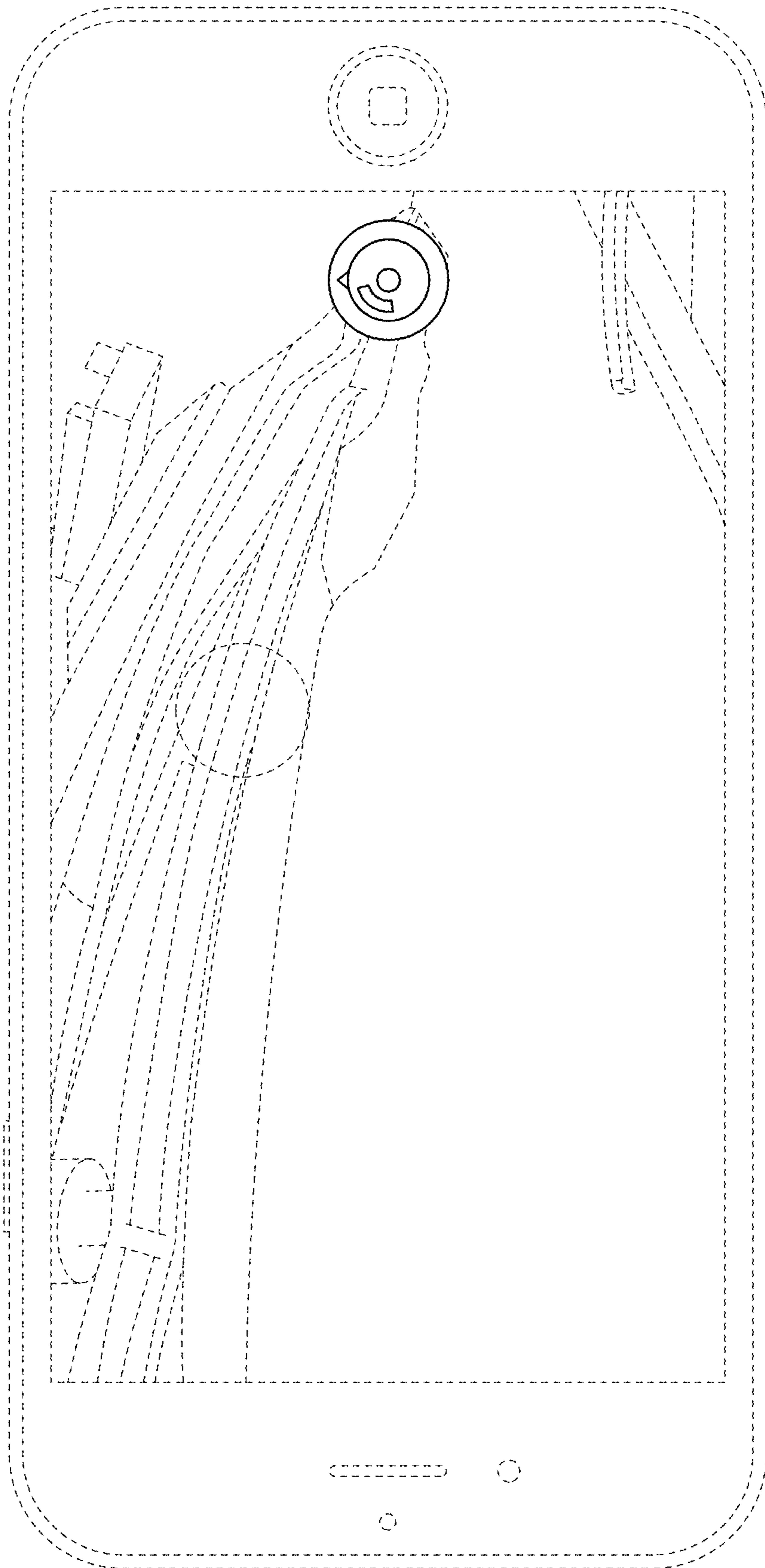


FIG. 3

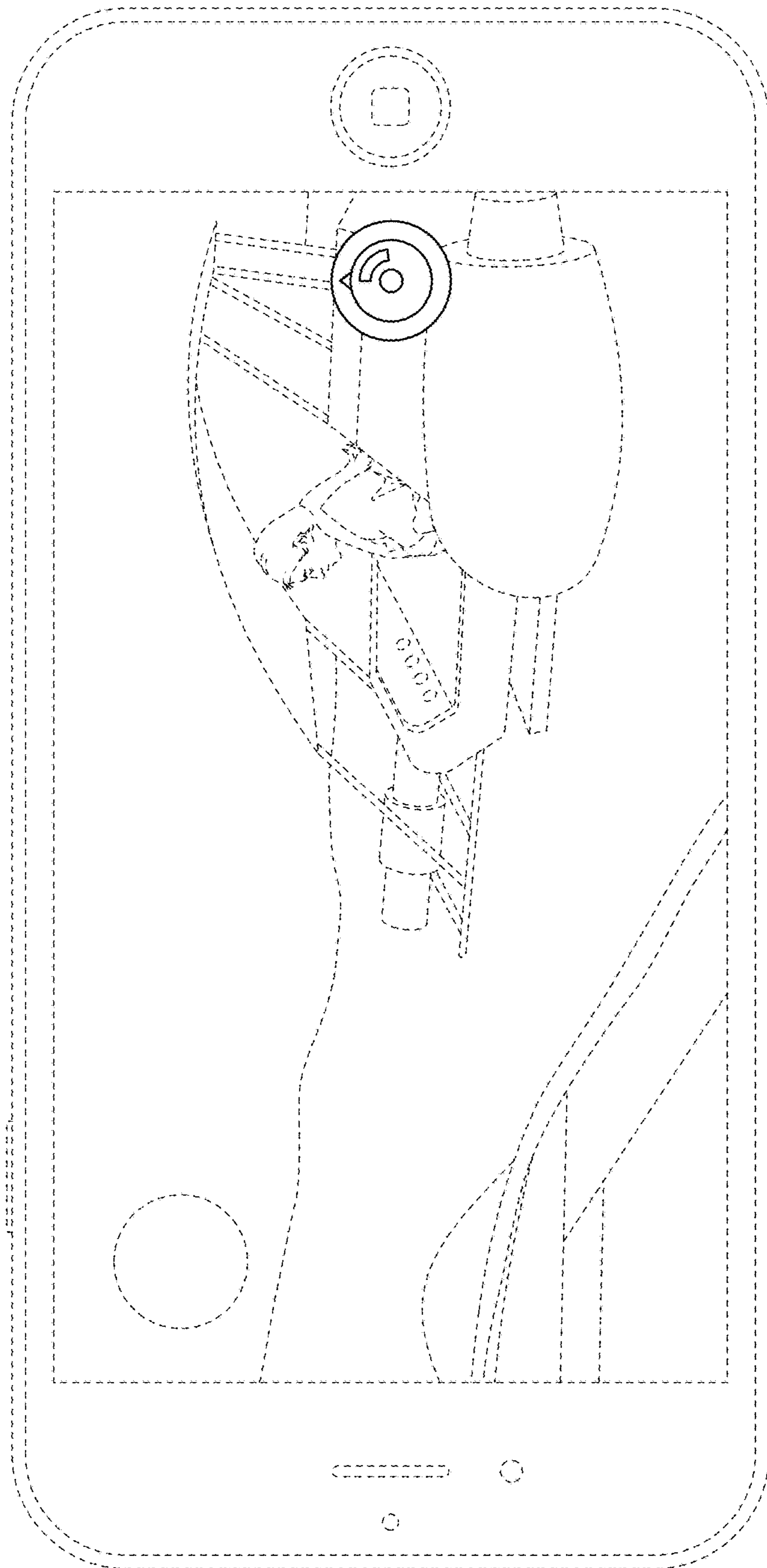


FIG. 4

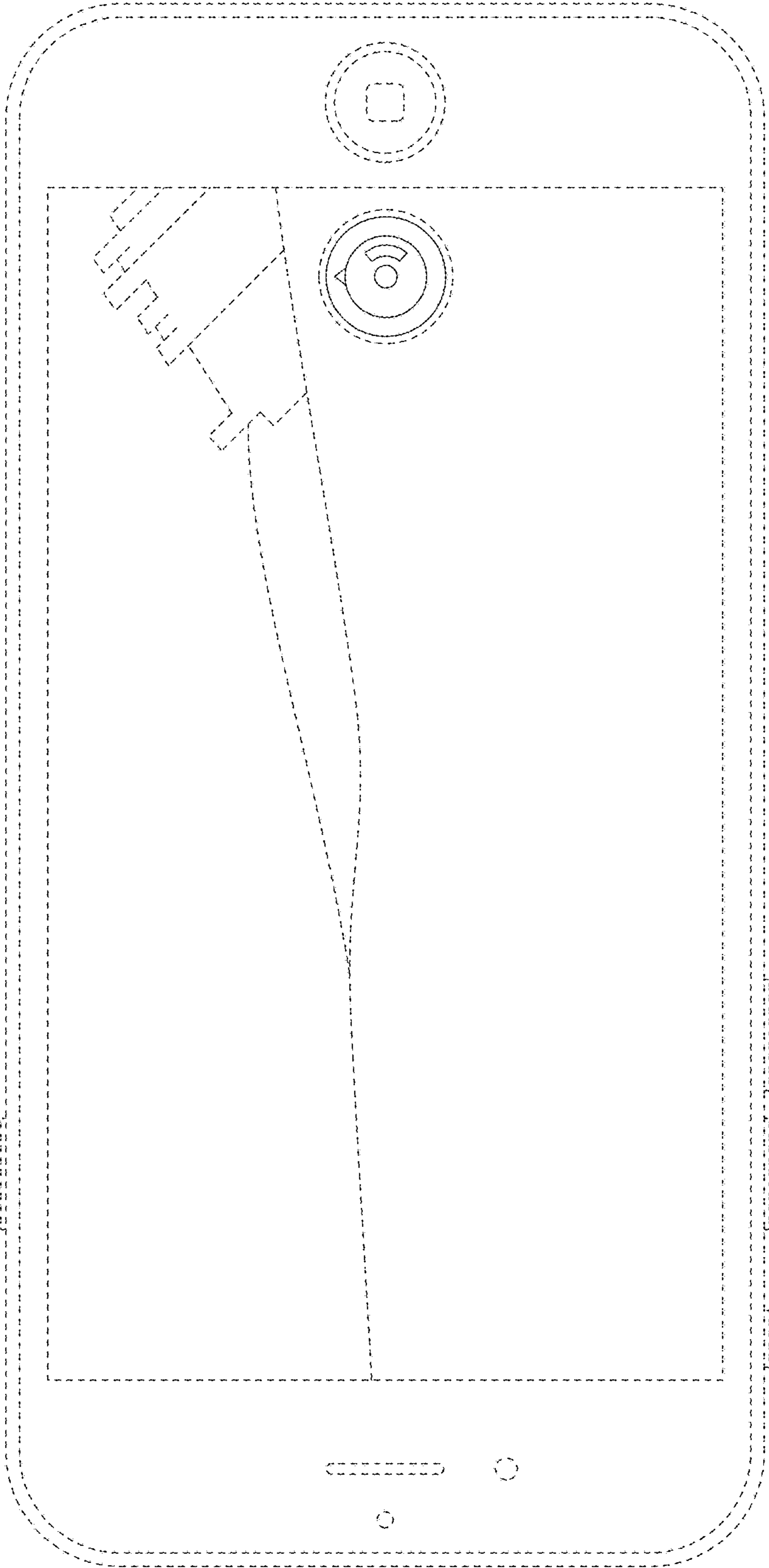


FIG. 5

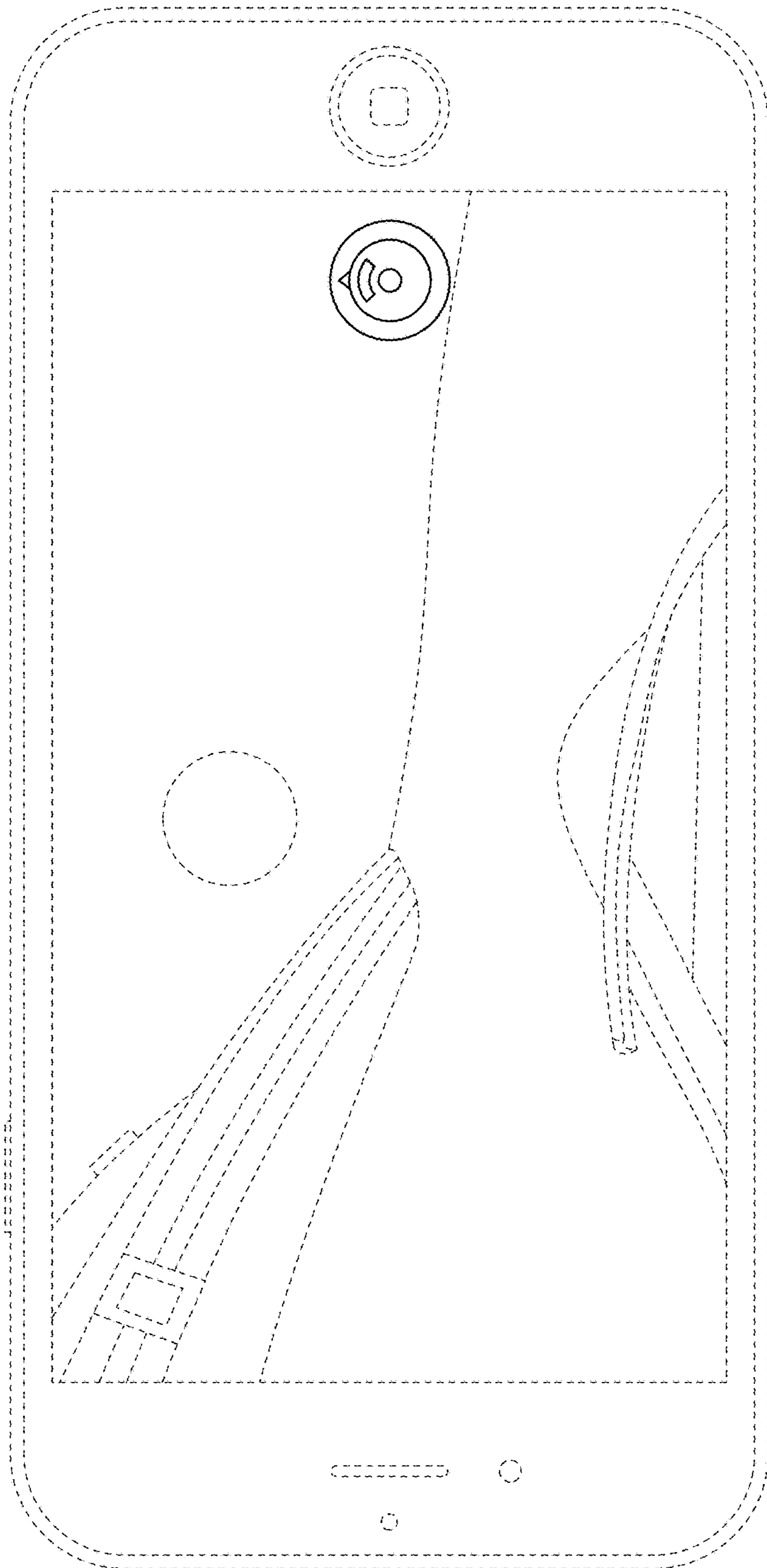


FIG. 6

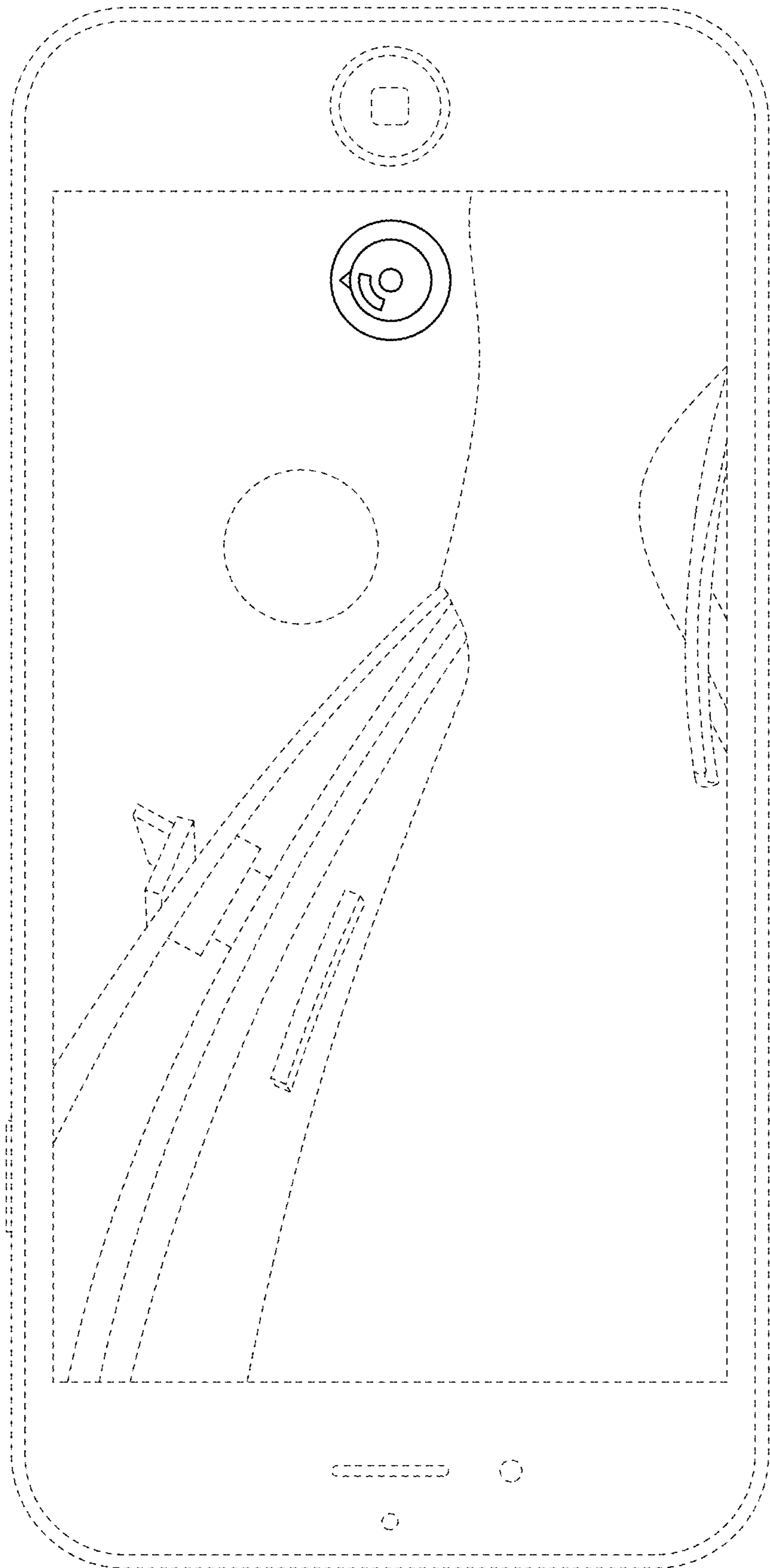


FIG. 7

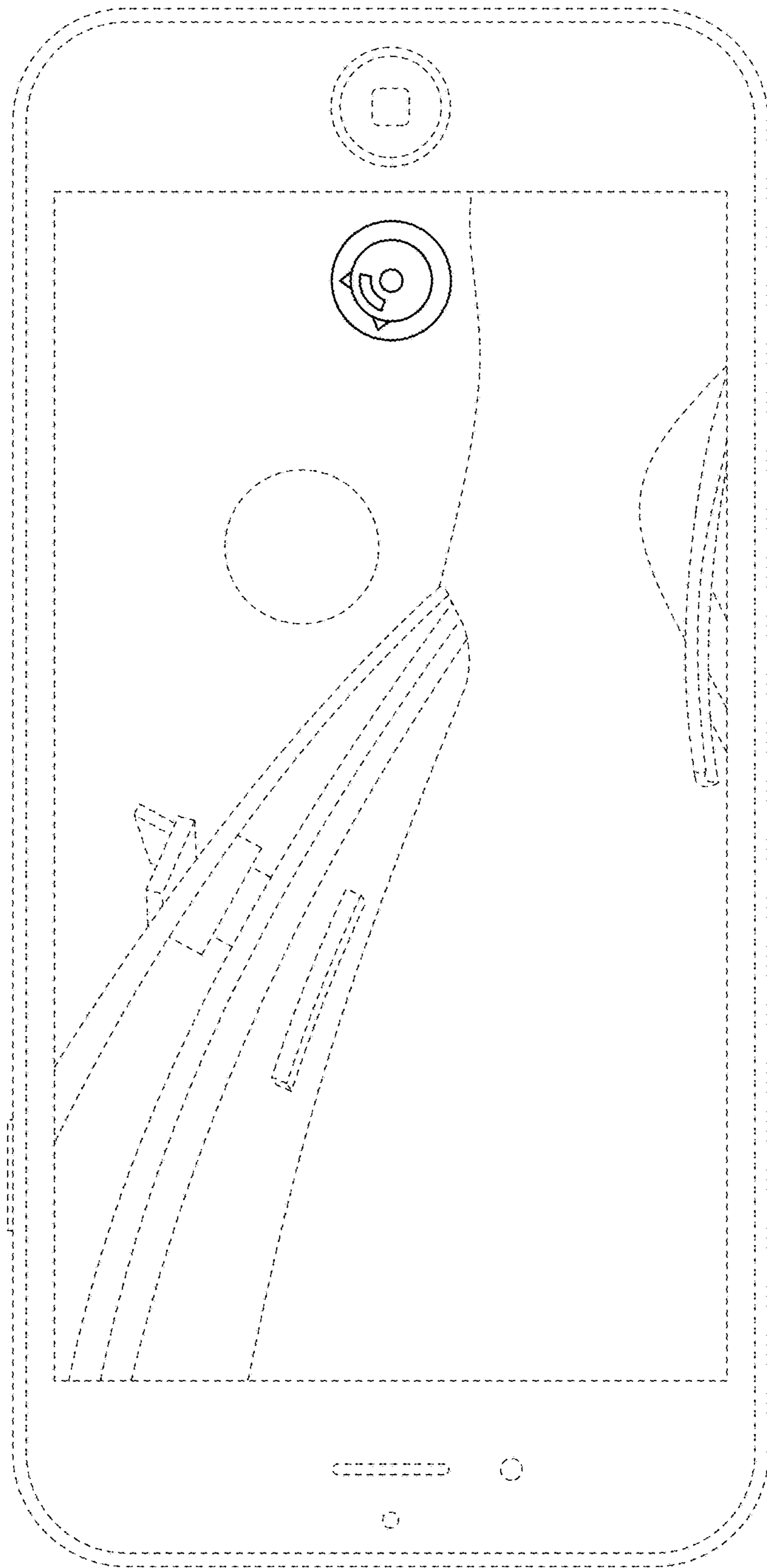


FIG. 8

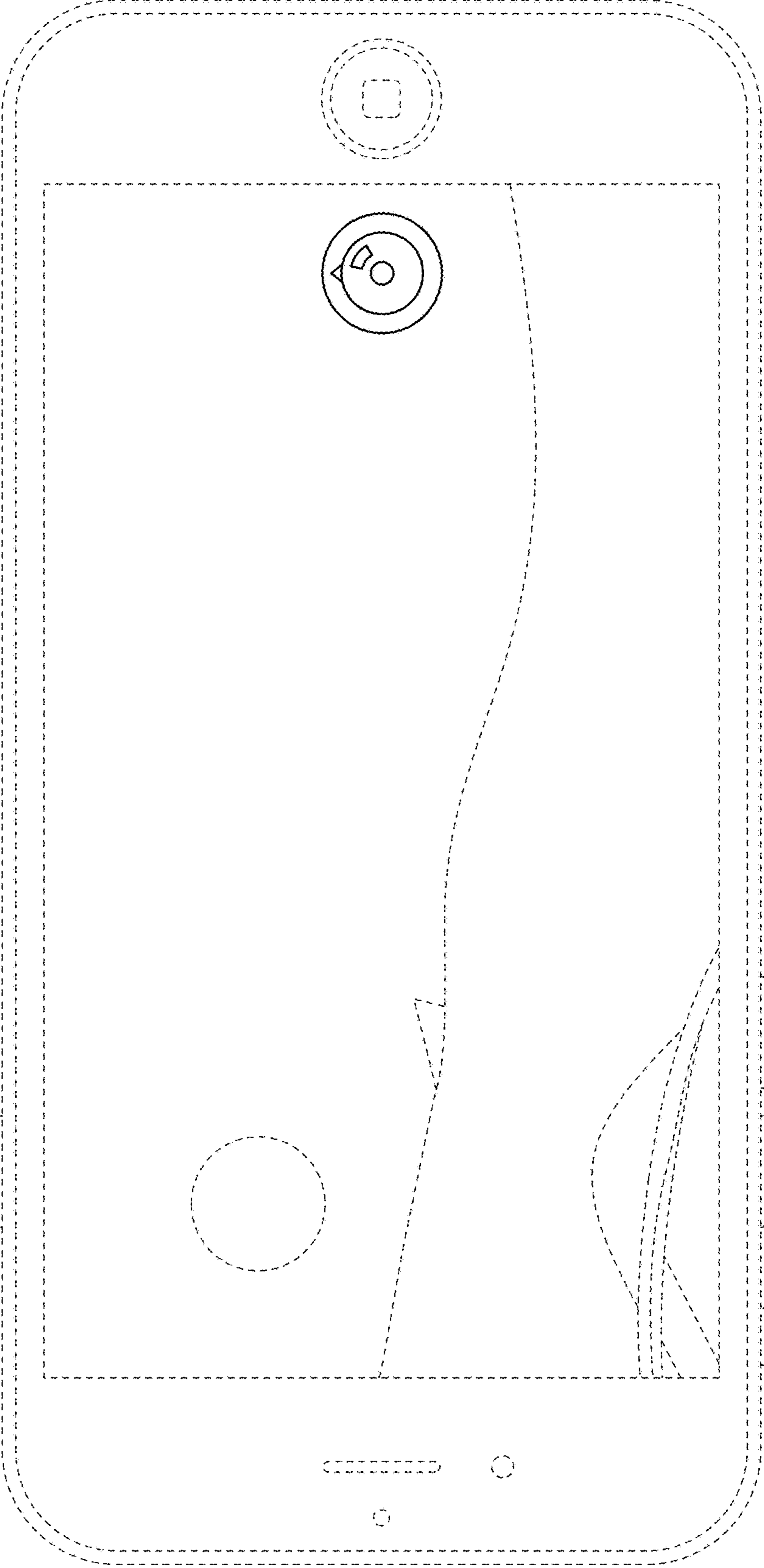


FIG. 9

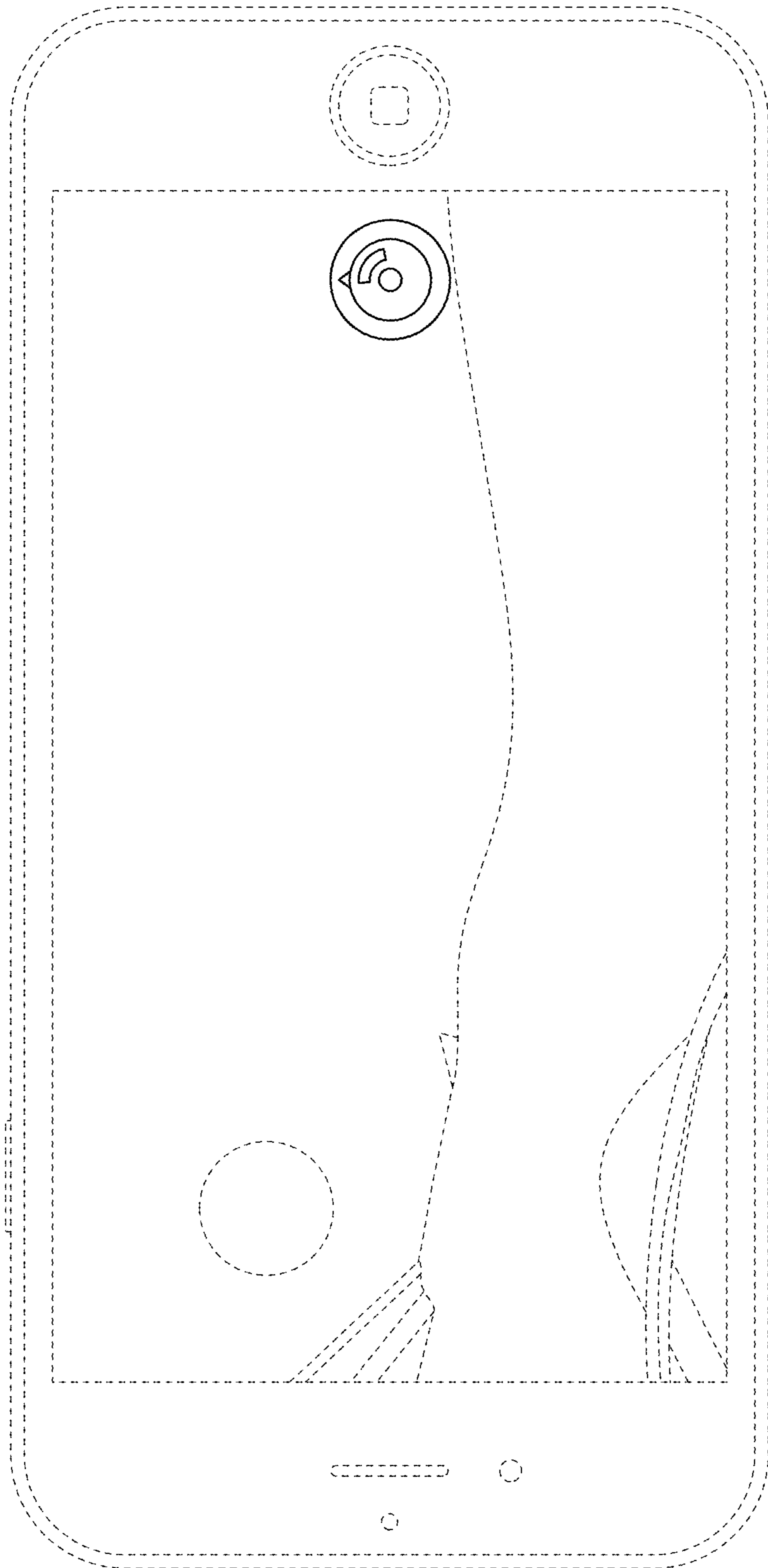


FIG. 10

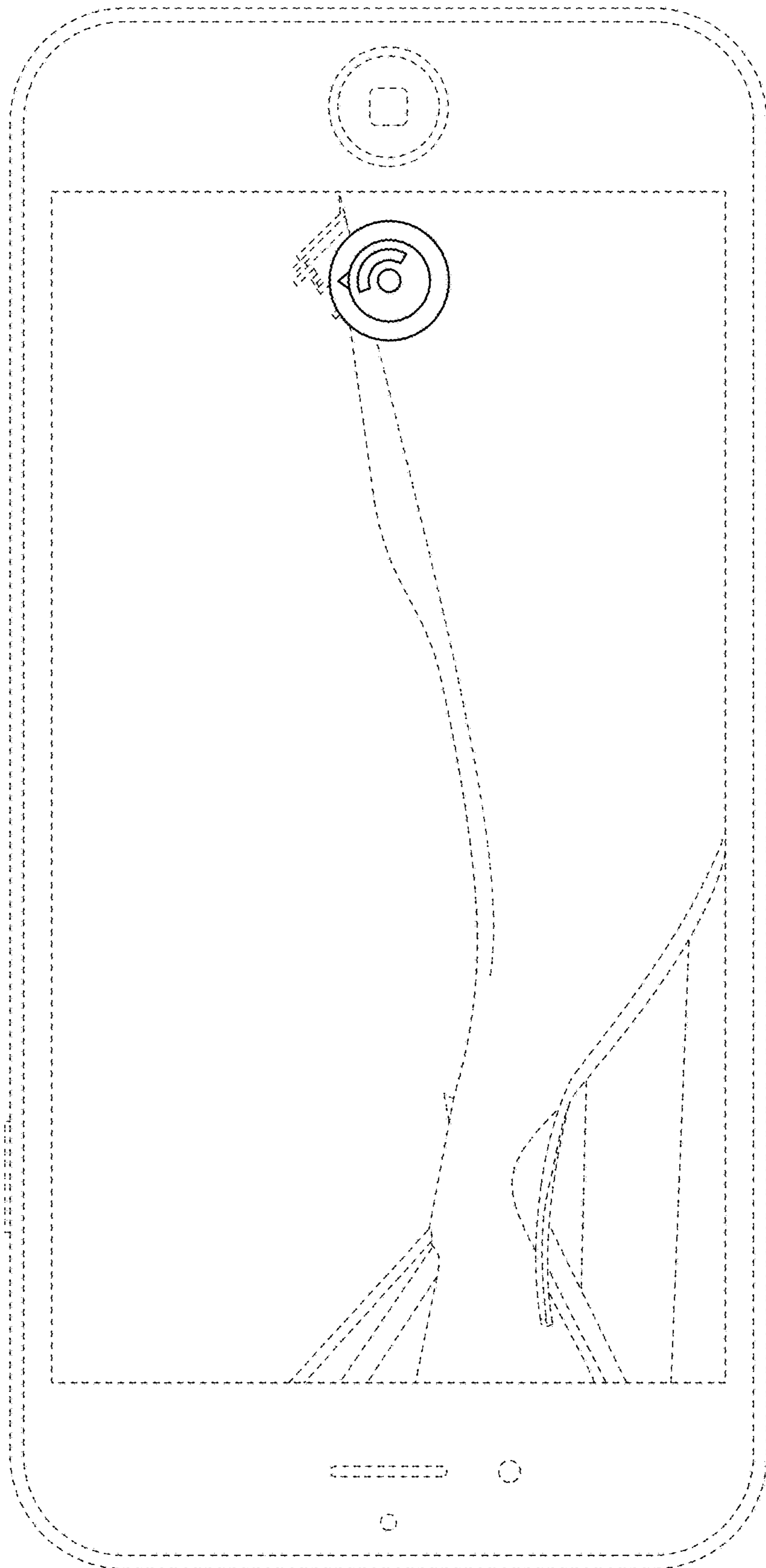


FIG. 11

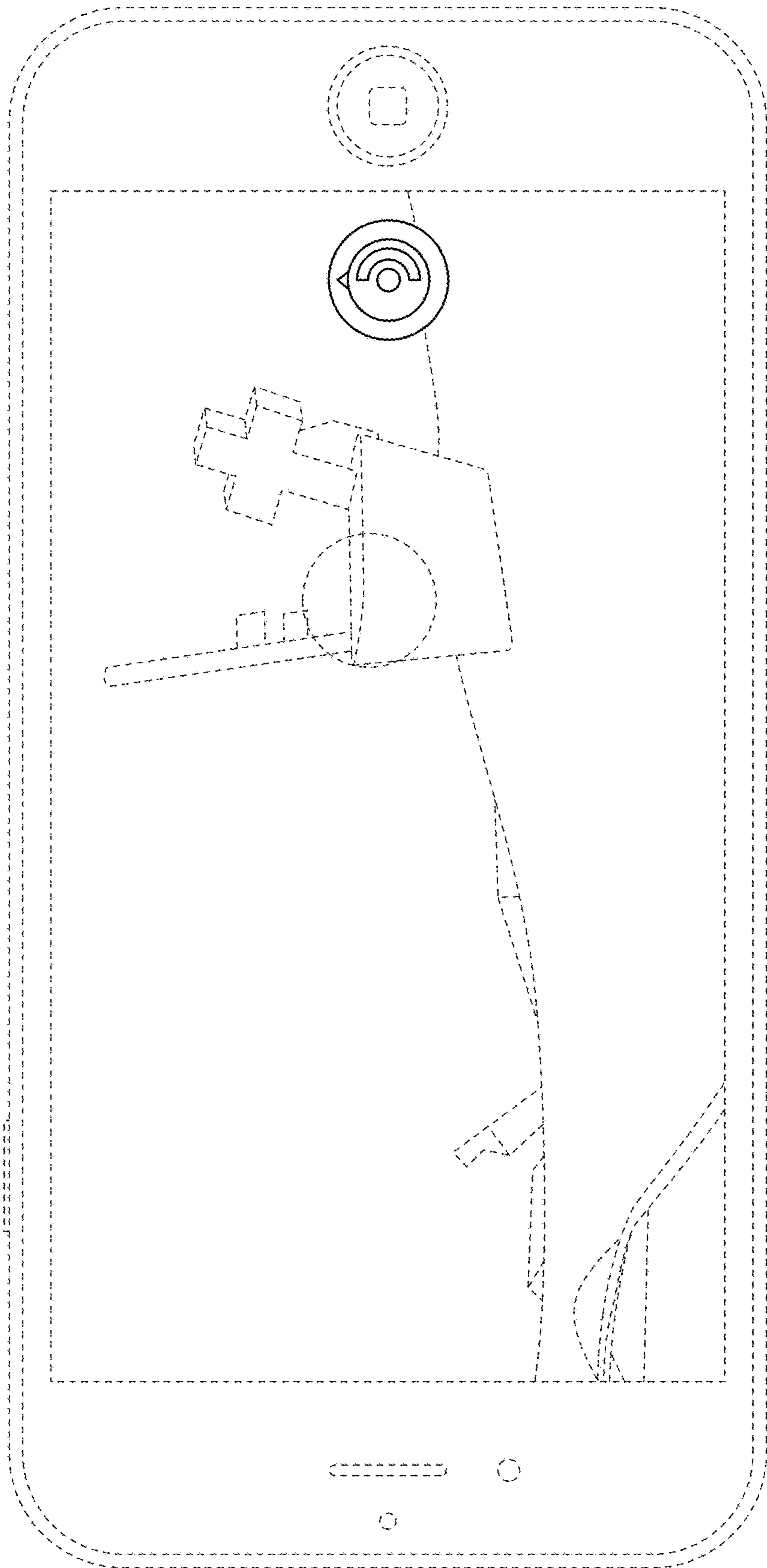


FIG. 12

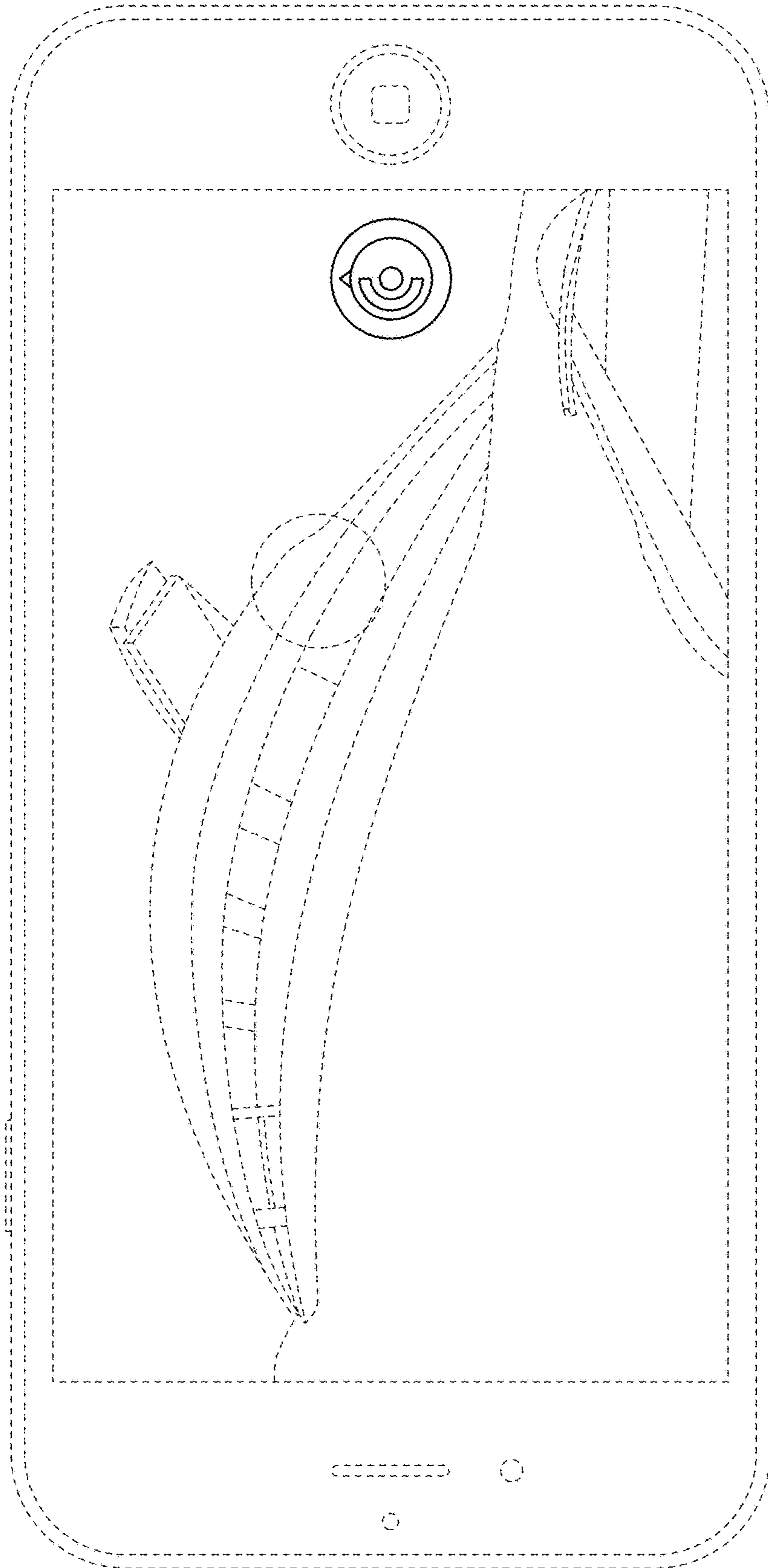


FIG. 13

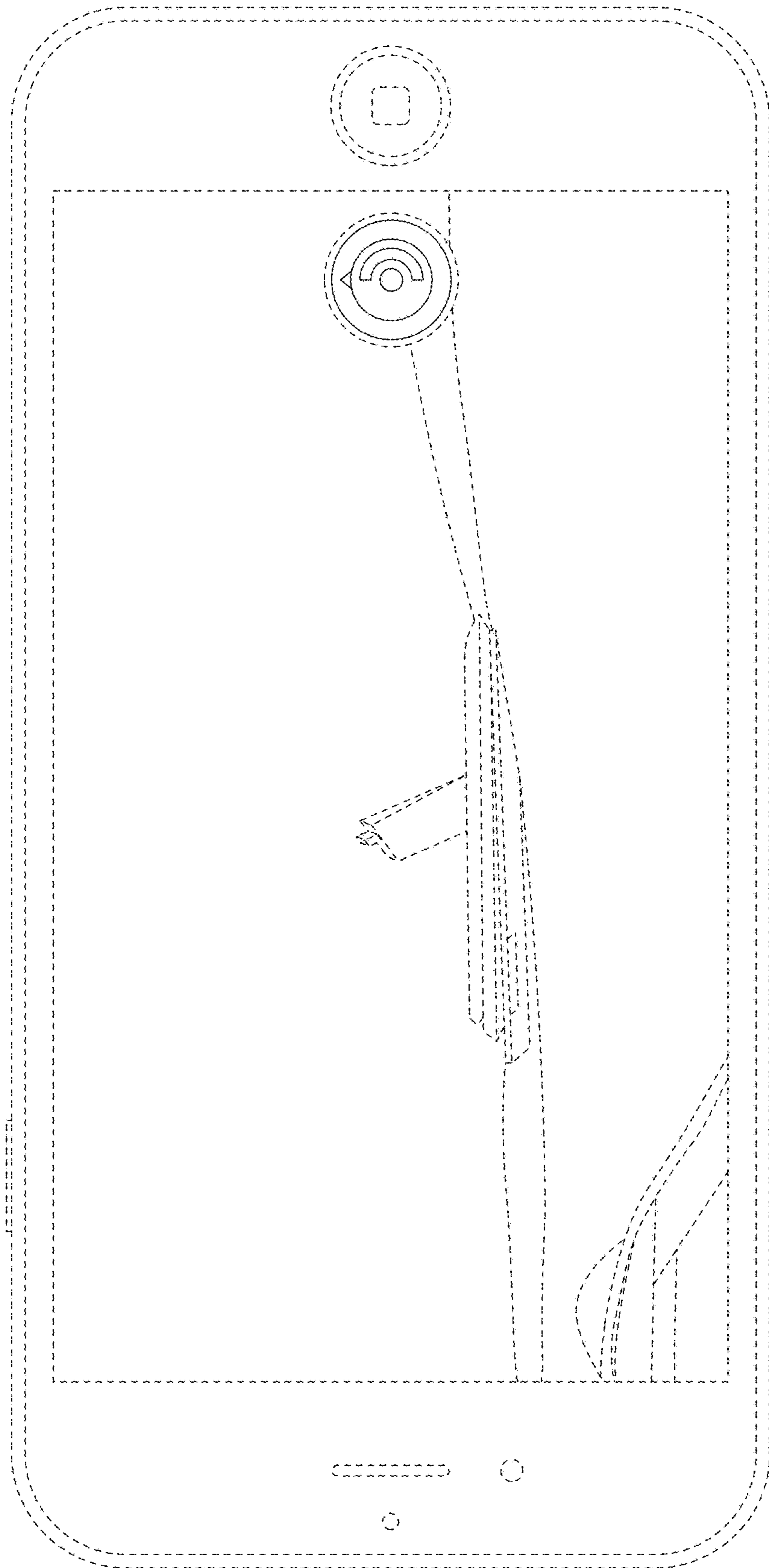


FIG. 14

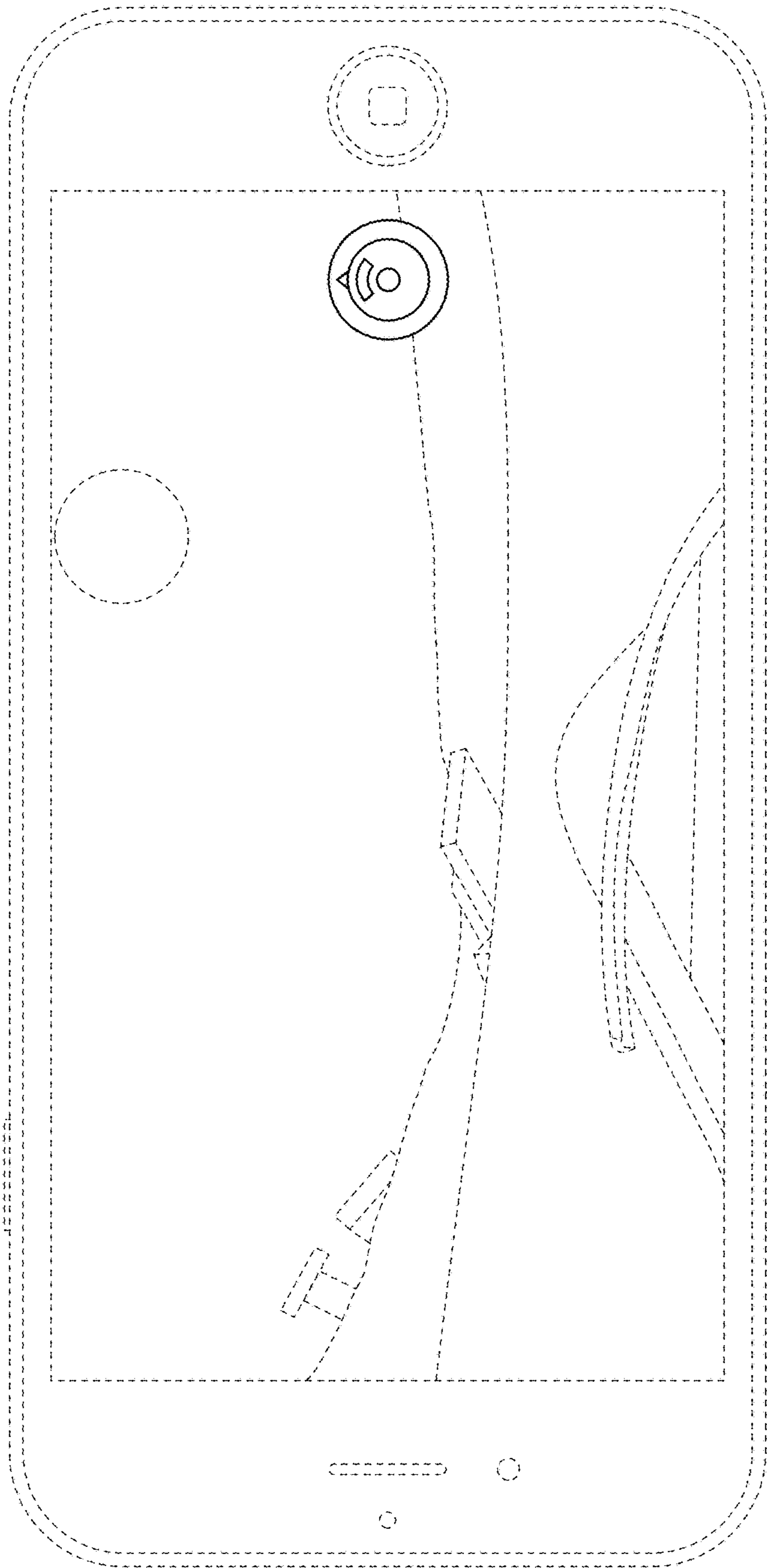


FIG. 15

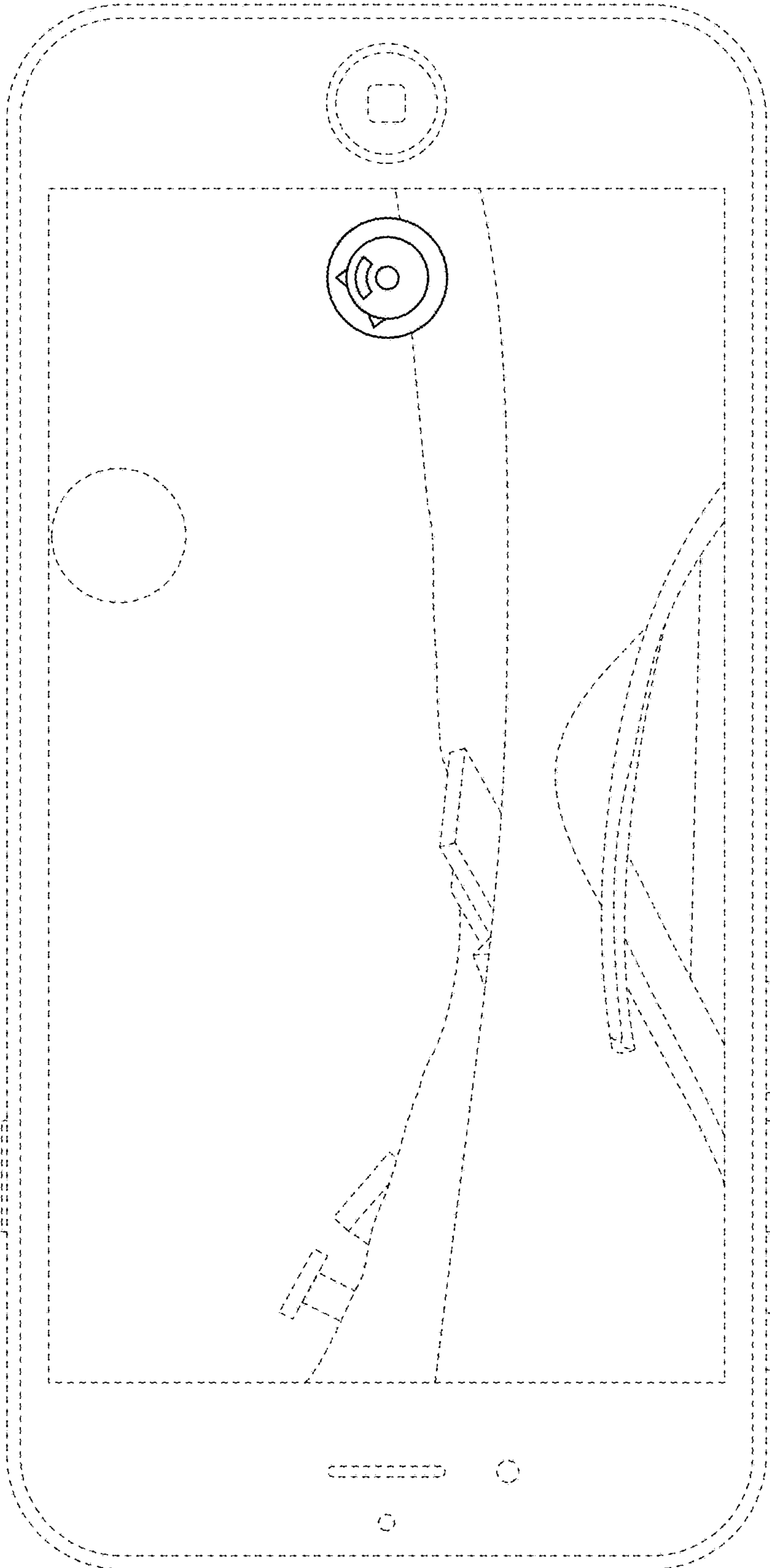


FIG. 16