



US00D788165S

(12) **United States Design Patent**  
**Bunyard et al.**

(10) **Patent No.:** **US D788,165 S**

(45) **Date of Patent:** **\*\* May 30, 2017**

(54) **DISPLAY SCREEN WITH TRANSITIONAL  
ICON**

(71) Applicant: **Chargepoint Technology Ltd.,  
Liverpool (GB)**

(72) Inventors: **Adam Guy Bunyard, Liverpool (GB);  
Richard Athol Barton, Liverpool (GB)**

(73) Assignee: **Chargepoint Technology Ltd.,  
Liverpool (GB)**

(\*\*) Term: **15 Years**

(21) Appl. No.: **29/554,406**

(22) Filed: **Feb. 11, 2016**

(30) **Foreign Application Priority Data**

Sep. 4, 2015 (EM) ..... 002766303-0001

(51) **LOC (10) Cl.** ..... **14-04**

(52) **U.S. Cl.**  
USPC ..... **D14/489**

(58) **Field of Classification Search**  
USPC ..... D14/485-495; D15/1, 2, 7, 9, 79;  
D10/49, 50, 51, 85  
CPC ..... G06F 3/04817; G06F 3/0482; G06F  
3/04842; G09G 5/363; A61M 25/10182;  
F24F 11/0086

See application file for complete search history.

(56) **References Cited**

**U.S. PATENT DOCUMENTS**

D307,127 S \* 4/1990 Simons ..... D12/192  
D385,545 S \* 10/1997 Levin ..... D14/489  
7,143,363 B1 \* 11/2006 Gaynor ..... B63J 99/00  
340/461  
D555,164 S \* 11/2007 Sergio ..... D14/486  
D675,643 S \* 2/2013 Frost ..... D14/488  
D701,226 S \* 3/2014 Jung ..... D14/486  
D709,913 S \* 7/2014 Hurd ..... D14/491

9,003,816 B2 \* 4/2015 Stefanski ..... F24F 11/0086  
62/115  
D748,126 S \* 1/2016 Sarukkai ..... D14/486  
D765,666 S \* 9/2016 Omiya ..... D14/485

(Continued)

**OTHER PUBLICATIONS**

“VERIFI”, posted at thechargepoint.com, Sep. 26, 2015, [site vis-  
ited Dec. 15, 2016]. Available from Internet: <http://web.archive.  
org/web/20150926120945/http://www.thechargepoint.com/tech-  
nology/verifi>.\*

(Continued)

*Primary Examiner* — Karen Kearney

*Assistant Examiner* — John Otte

(74) *Attorney, Agent, or Firm* — Fox Rothschild LLP

(57) **CLAIM**

The ornamental design for a display screen with transitional  
icon, as shown and described.

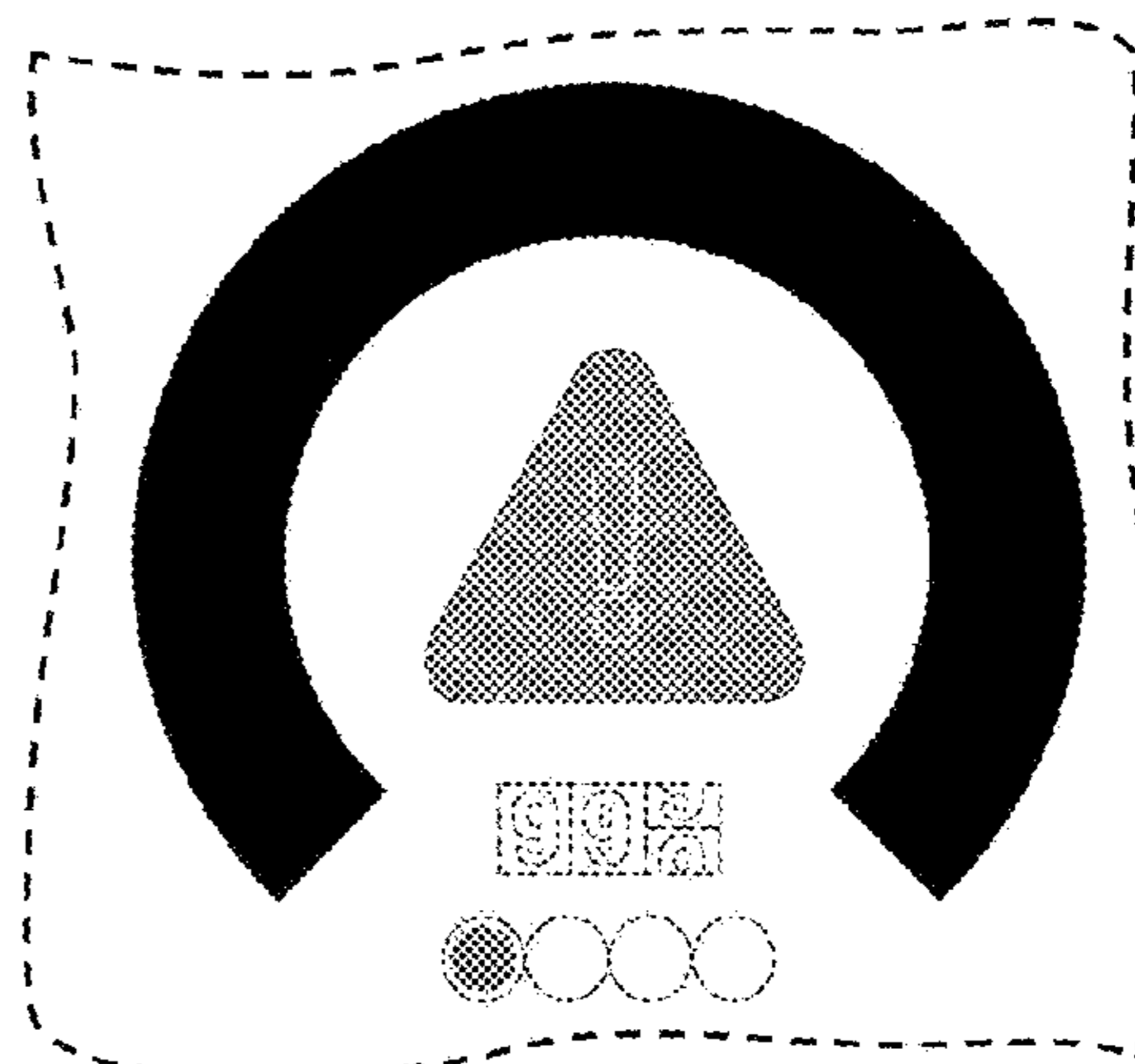
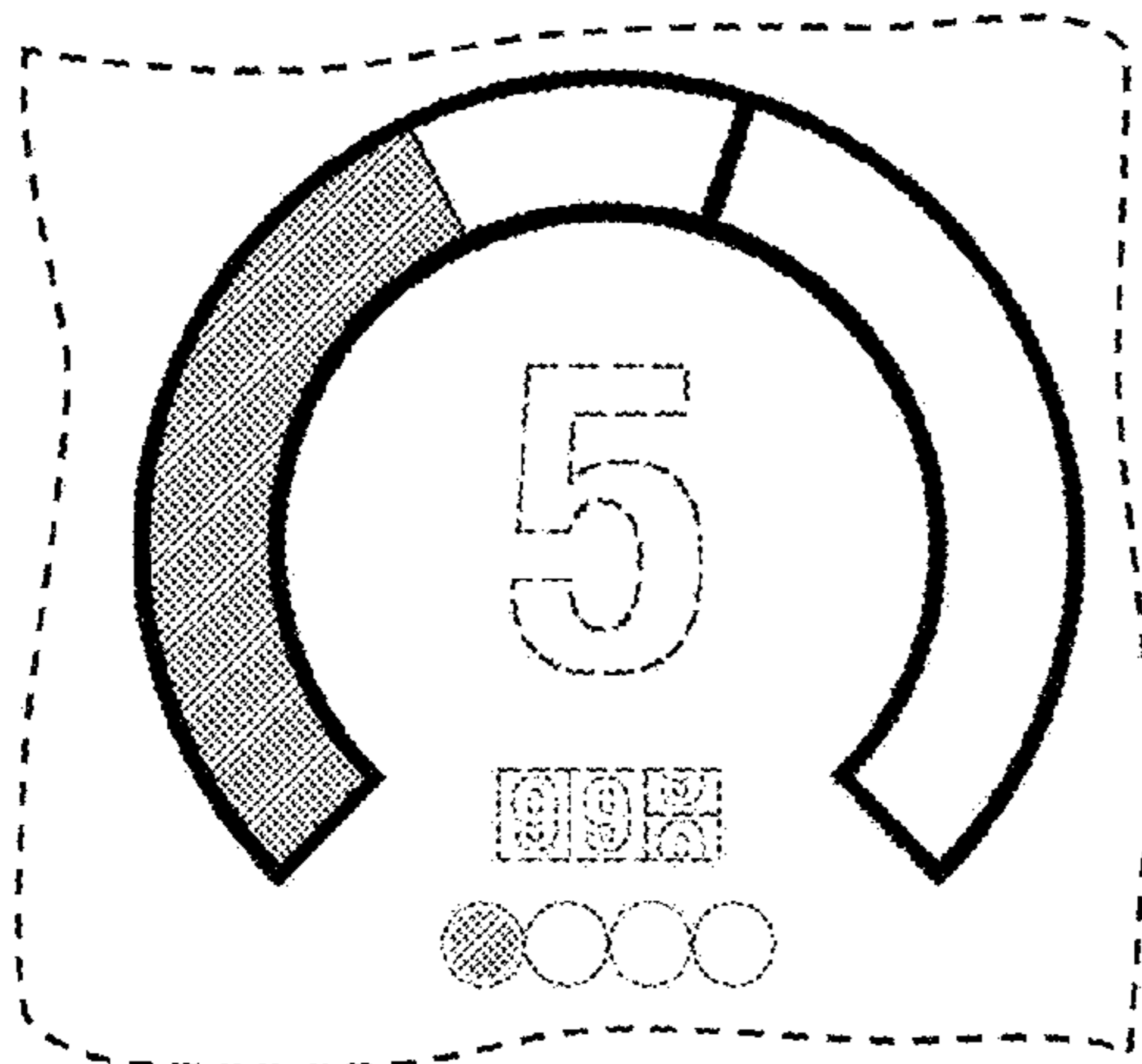
**DESCRIPTION**

FIG. 1 is a front view of the first image of a display screen  
with transitional icon;  
FIG. 2 is a front view of a second image thereof;  
FIG. 3 is a front view of a third image thereof;  
FIG. 4 is a front view of a fourth image thereof;  
FIG. 5 is a front view of a fifth image thereof;  
FIG. 6 is a front view of a sixth image thereof; and,  
FIG. 7 is a front view of a seventh image thereof.

The broken line showing of a display screen, and the shaded  
areas shown within the broken line circle in all the FIGS. and  
the broken line triangle in FIG. 4, are included for the  
purpose of illustrating portions of the article and forms no  
part of the claimed design.

The appearance of the transitional image sequentially tran-  
sitions between the images shown in FIGS. 1-7. The process  
or period in which one image transitions to another image  
forms no part of the claimed design.

**1 Claim, 7 Drawing Sheets**



(56)

**References Cited**

U.S. PATENT DOCUMENTS

2014/0028682 A1\* 1/2014 Omiya ..... G09G 5/363  
345/440  
2014/0282261 A1\* 9/2014 Ranz ..... G06F 3/0482  
715/838  
2015/0038901 A1\* 2/2015 Lampropoulos A61M 25/10182  
604/97.03

OTHER PUBLICATIONS

“Imperial iManifold—Smart Phone & Tablet Compatible HVAC Digital Manifold”, posted at youtube.com, May 7, 2014, [site visited Dec. 15, 2016]. Available from Internet: <[https://www.youtube.com/watch?v=n0T\\_Ed6i-Yc](https://www.youtube.com/watch?v=n0T_Ed6i-Yc)>.\*

Aspin, Adam, “Mobile BI with SQL Server Reporting Services”, posted at simple-talk.com, Apr. 15, 2015, [site visited Dec. 15, 2016]. Available from Internet: <<https://www.simple-talk.com/sql/reporting-services/mobile-bi-with-sql-server-reporting-services>>.\*

Murray, Katherine, “Five green smartphone apps to shrink your carbon footprint”, posted at techrepublic.com, Oct. 6, 2011, [site visited Dec. 15, 2016]. Available from Internet: <<http://www.techrepublic.com/blog/five-apps/five-green-smartphone-apps-to-shrink-your-carbon-footprint>>.\*

\* cited by examiner

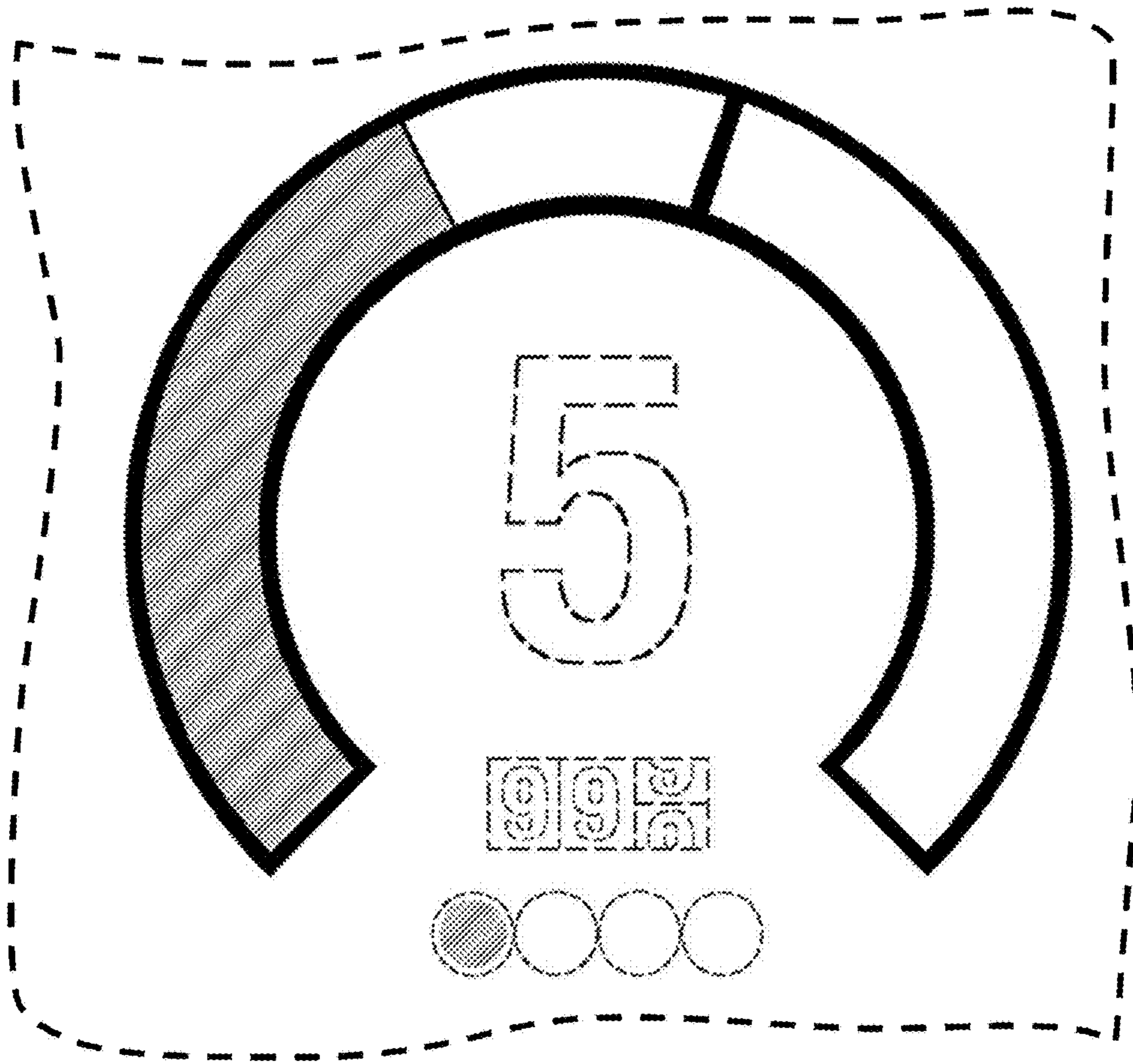


FIG. 1

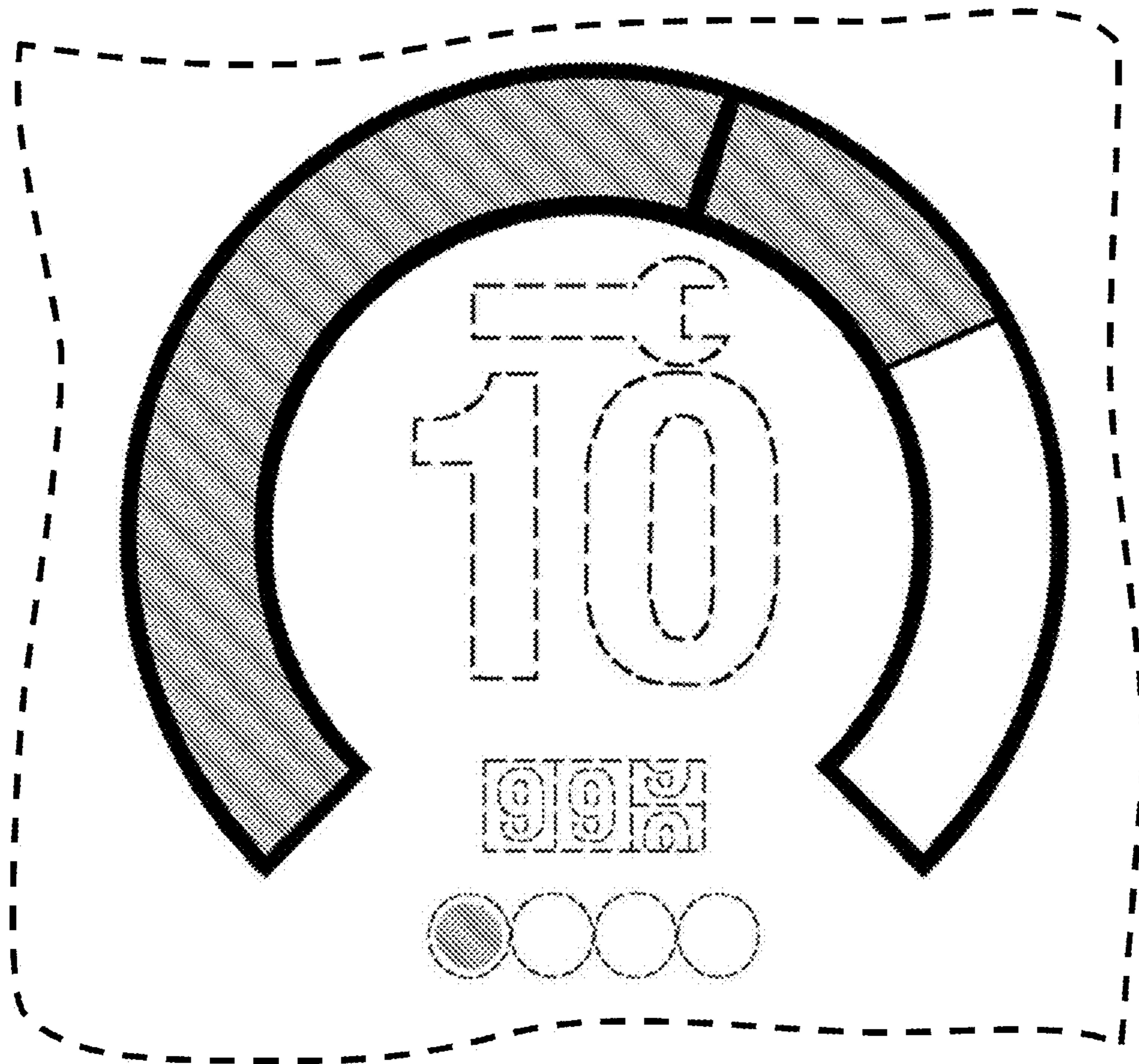


FIG. 2

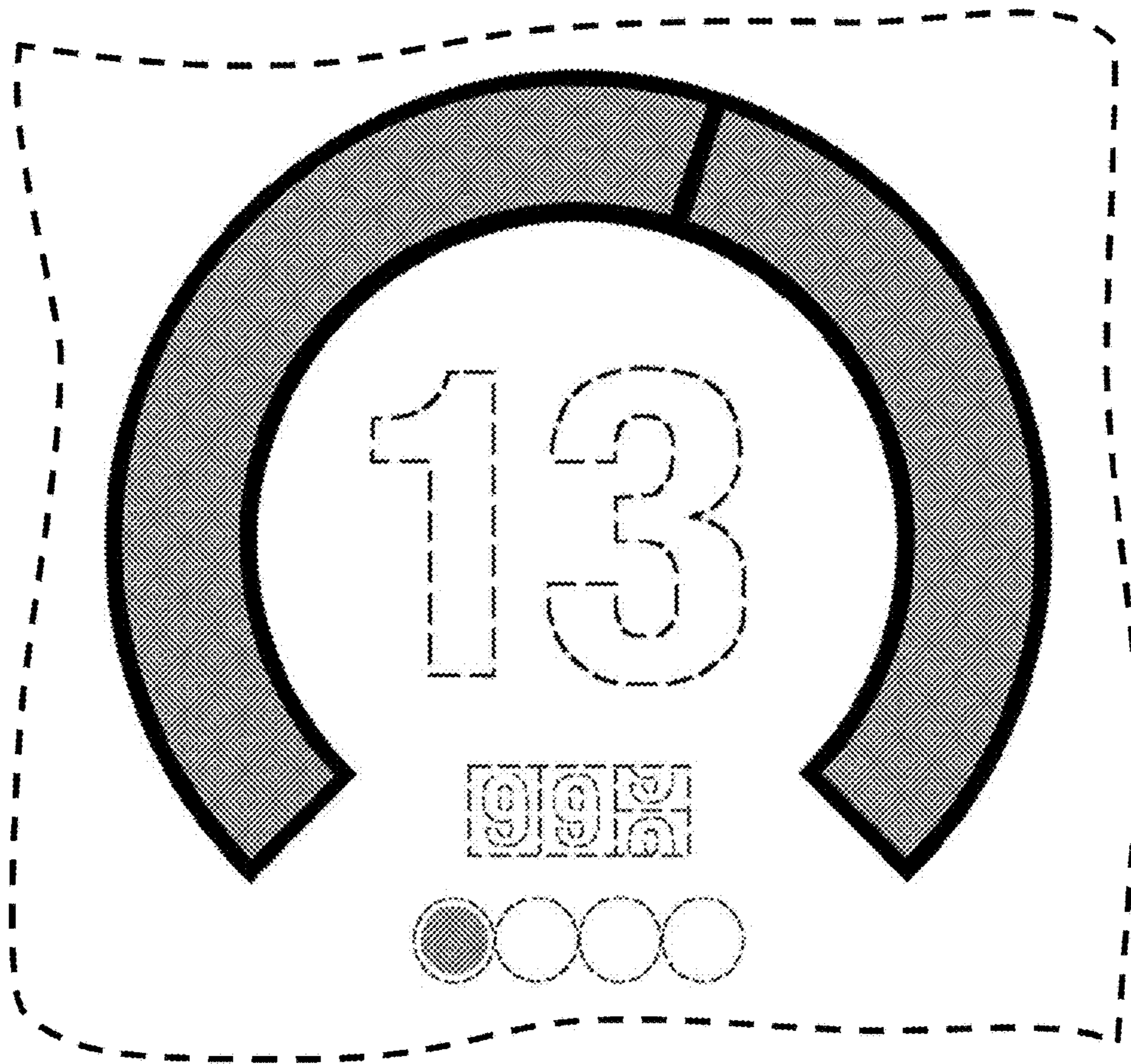


FIG. 3

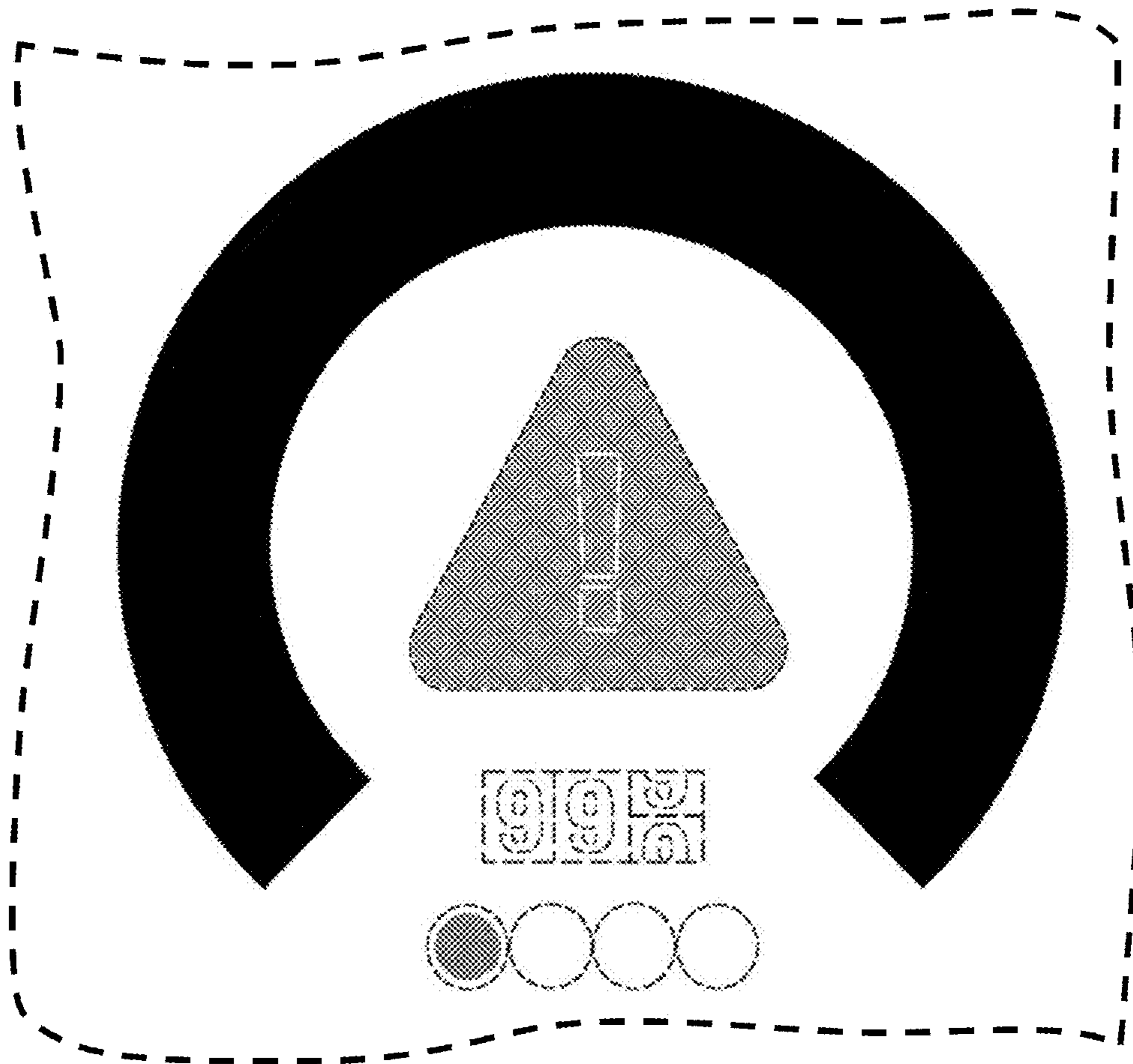


FIG. 4

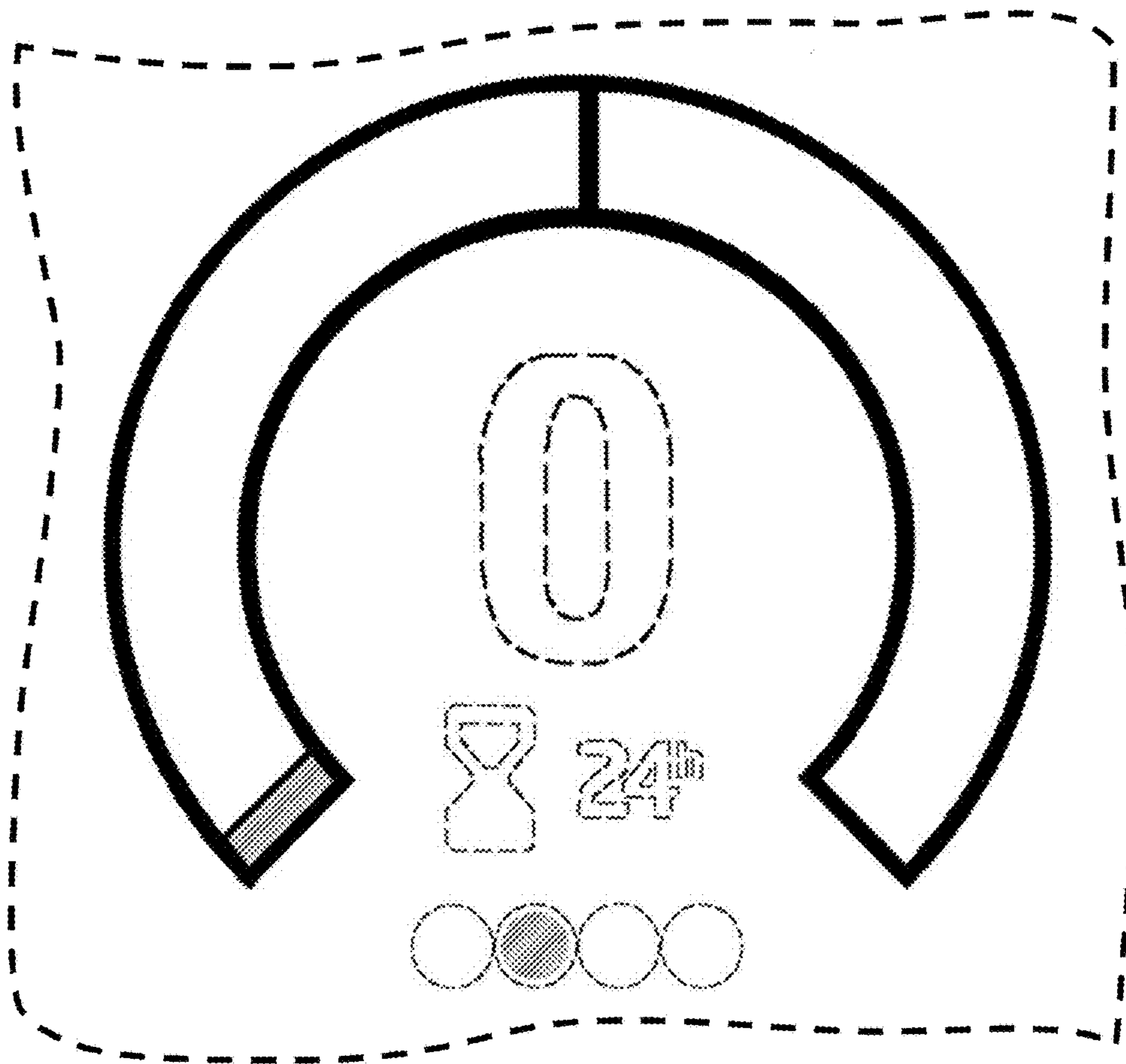


FIG. 5

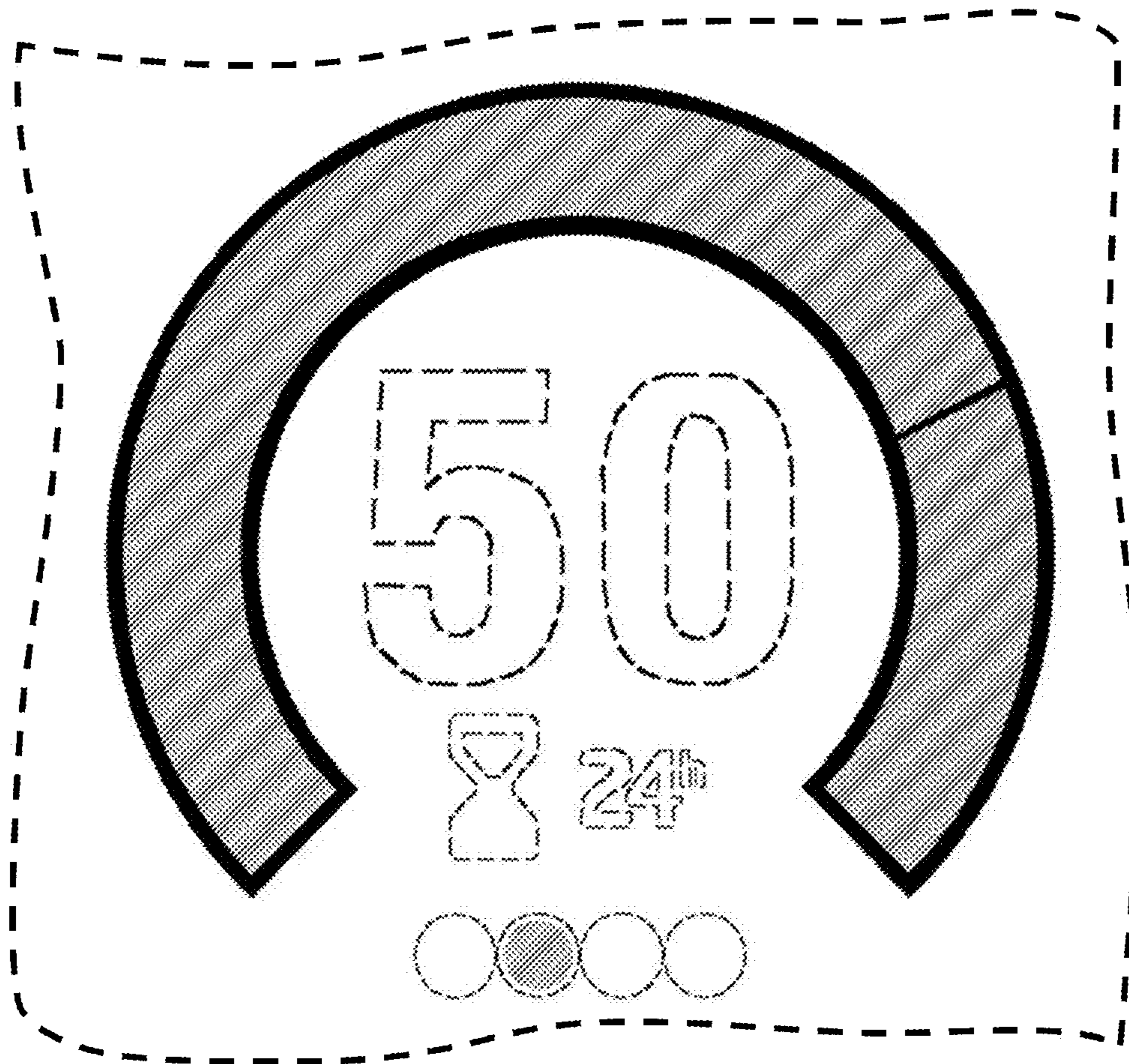


FIG. 6



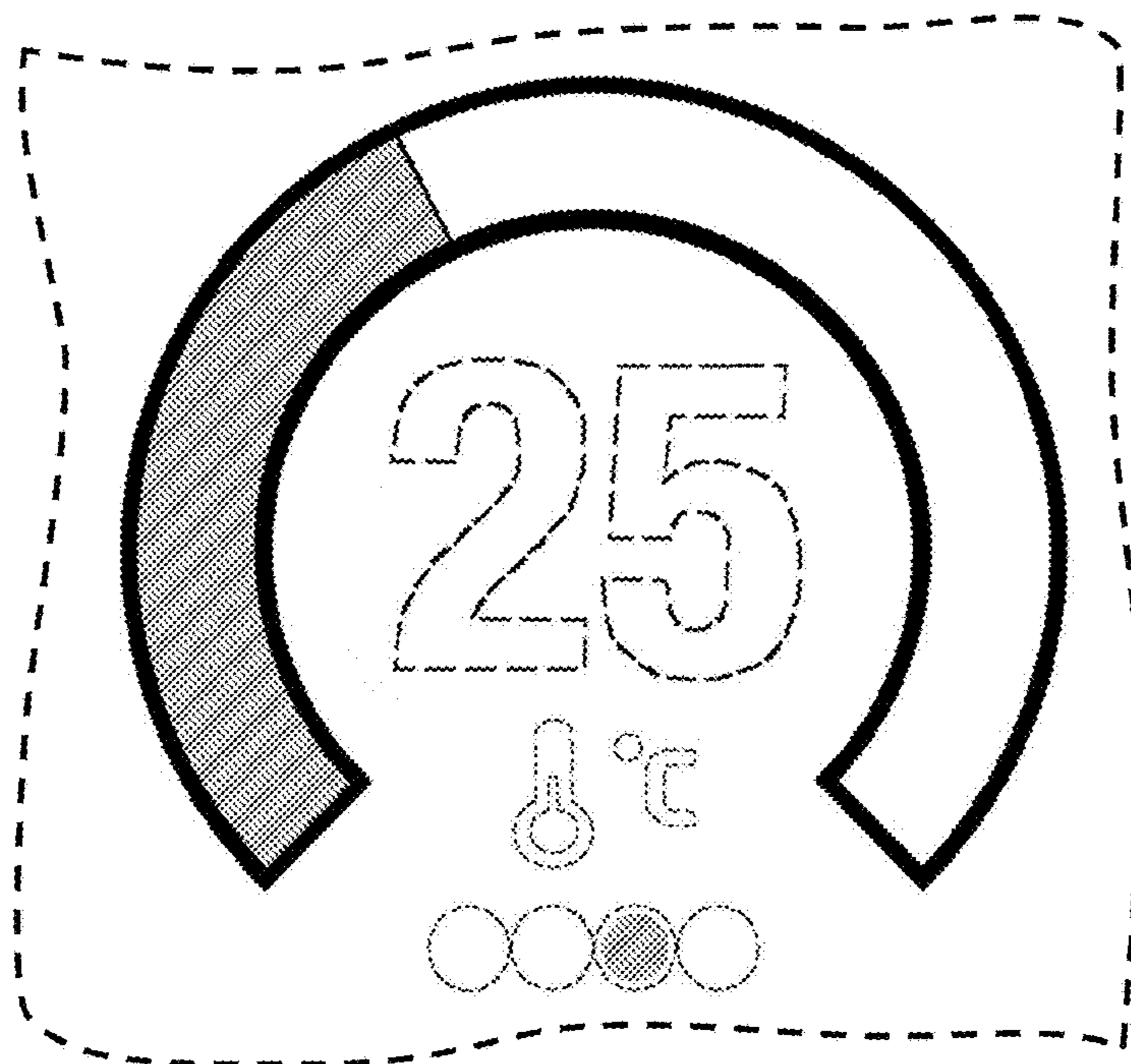


FIG. 7