



US00D788122S

(12) **United States Design Patent**  
**Tada et al.**

(10) **Patent No.:** **US D788,122 S**  
(45) **Date of Patent:** **\*\* May 30, 2017**

(54) **HEAD MOUNTED DISPLAY WITH  
TRANSITIONAL GRAPHICAL USER  
INTERFACE SET**

(71) Applicant: **FUJITSU LIMITED**, Kawasaki-shi,  
Kanagawa (JP)

(72) Inventors: **Masafumi Tada**, Tokyo (JP); **Koichiro  
Niinuma**, Kawasaki (JP); **Taichi  
Murase**, Kawasaki (JP); **Atsunori  
Moteki**, Kawasaki (JP)

(73) Assignee: **FUJITSU LIMITED**, Kawasaki-Shi  
(JP)

(\*\*) Term: **15 Years**

(21) Appl. No.: **29/541,106**

(22) Filed: **Sep. 30, 2015**

(30) **Foreign Application Priority Data**

Mar. 31, 2015 (JP) ..... 2015-007080

(51) **LOC (10) Cl.** ..... **14-04**

(52) **U.S. Cl.**  
USPC ..... **D14/485**

(58) **Field of Classification Search**  
USPC ..... D14/485-489

(Continued)

(56) **References Cited**

U.S. PATENT DOCUMENTS

D644,661 S \* 9/2011 Gardner ..... D14/495

D669,499 S \* 10/2012 Gardner ..... D14/495

(Continued)

*Primary Examiner* — Richelle G Shelton

(74) *Attorney, Agent, or Firm* — Staas & Halsey LLP

(57) **CLAIM**

The ornamental design for a head mounted display with transitional graphical user interface set, as shown and described.

**DESCRIPTION**

FIG. 1 is a perspective view of the front, top and left side of a head mounted display with transitional graphical user interface set showing our new design;

FIG. 2 is a perspective view of the rear, bottom and left side thereof with a set of the fifth image of the transitional sequence displayed on the screens;

FIG. 3 is a front view thereof;

FIG. 4 is a rear view thereof;

FIG. 5 is a left side view thereof;

FIG. 6 is a right side view thereof;

FIG. 7 is a top view thereof;

FIG. 8 is a bottom view thereof;

FIG. 9 is a front view of a single display screen of the set, showing the first image in the sequence;

FIG. 10 is a front view of the single display screen thereof, showing the second image in the sequence;

FIG. 11 is a front view of the single display screen thereof, showing the third image in the sequence;

FIG. 12 is a front view of the single display screen thereof, showing the fourth image in the sequence;

FIG. 13 is a front view of the single display screen thereof, showing the fifth image in the sequence;

FIG. 14 is a front view of the single display screen thereof, showing the sixth image in the sequence;

FIG. 15 is a front view of the single display screen thereof, showing the seventh image in the sequence;

FIG. 16 is a front view of the single display screen thereof, showing the eighth image in the sequence; and,

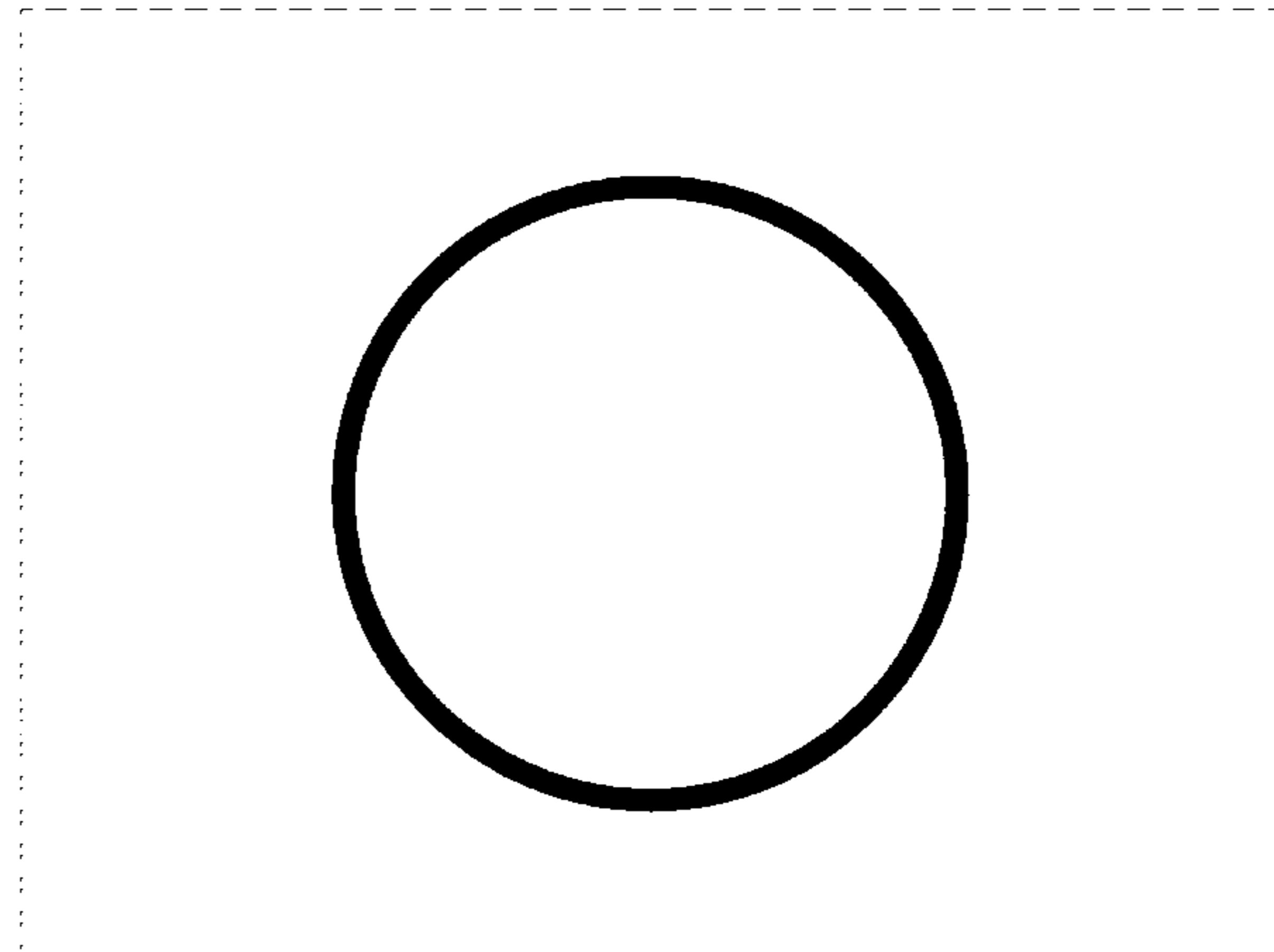
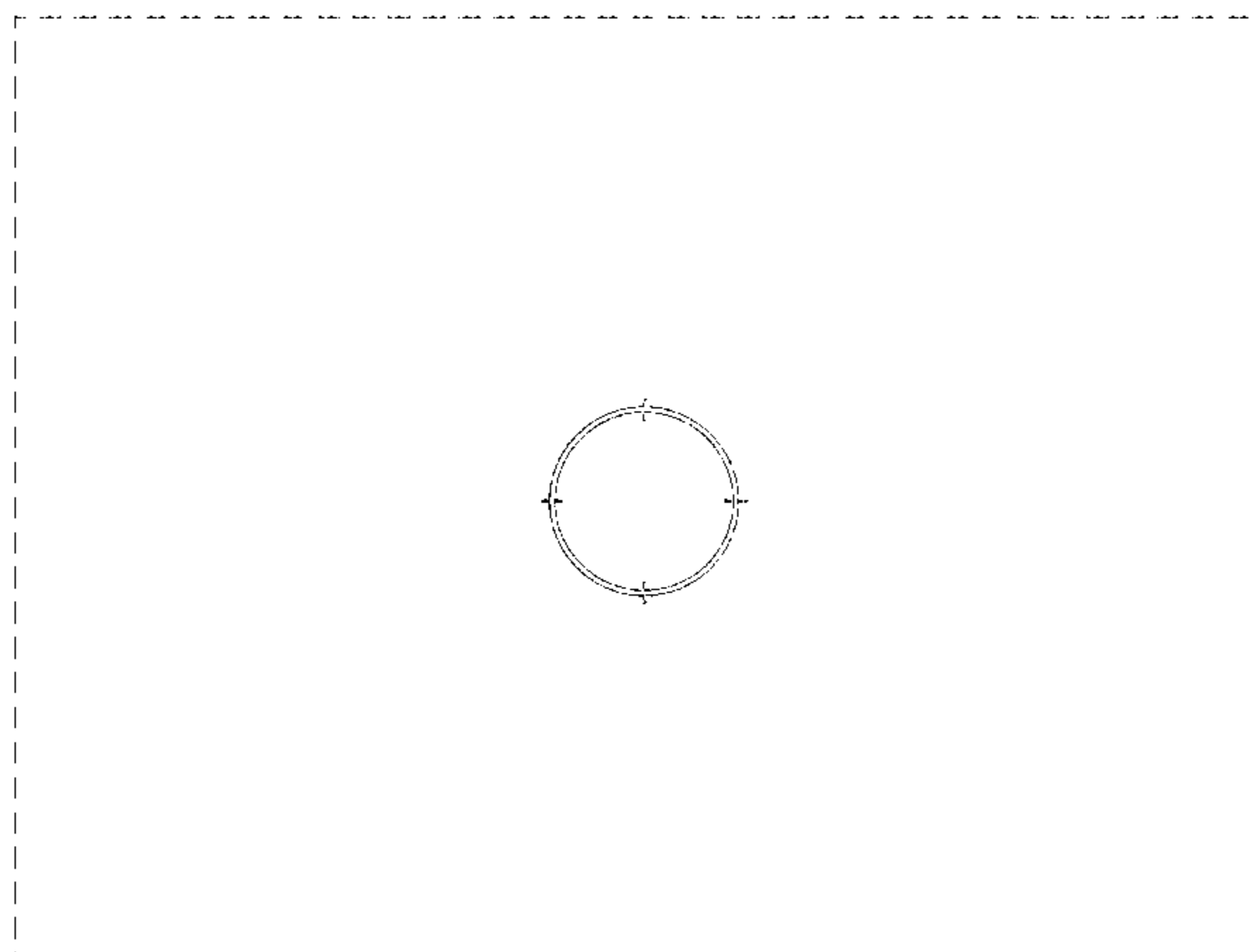
FIG. 17 is a front view of the single display screen thereof, showing the ninth image in the sequence.

The broken lines shown in the drawings are for the purpose of illustrating environmental structure and form no part of the claimed design.

The appearance of the transitional image sequentially transitions between the images shown in FIGS. 9 through 17.

The process or period in which one image transitions to another image forms no part of the claimed design.

**1 Claim, 16 Drawing Sheets**



(58) **Field of Classification Search**

CPC ..... G06T 13/00; G06T 13/80; G06F 3/04845  
See application file for complete search history.

(56) **References Cited**

U.S. PATENT DOCUMENTS

D739,872 S *	9/2015	Bang .....	D14/488
D760,790 S *	7/2016	Ishii .....	G06F 3/04817
			D14/494
D760,791 S *	7/2016	Liu .....	G06F 3/04817
			D14/494
D761,277 S *	7/2016	Harvell .....	D14/485
D762,230 S *	7/2016	Kaplan .....	D14/486
D762,672 S *	8/2016	Lee .....	D14/485
D762,716 S *	8/2016	Yang .....	D14/489
D763,308 S *	8/2016	Wang .....	D14/486
D763,910 S *	8/2016	Drozd .....	D14/485
D765,674 S *	9/2016	Kim .....	D14/485

\* cited by examiner

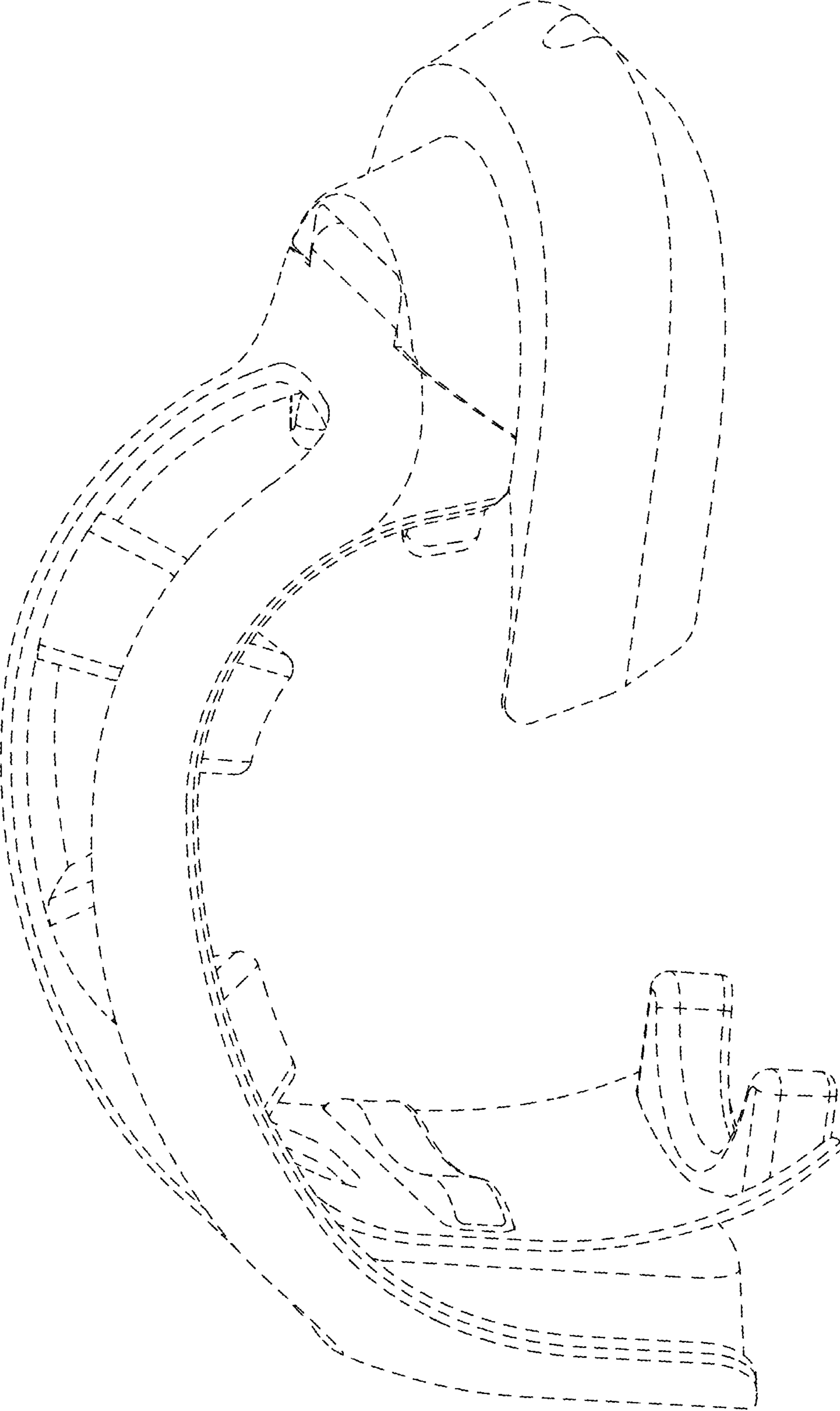


FIG. 1

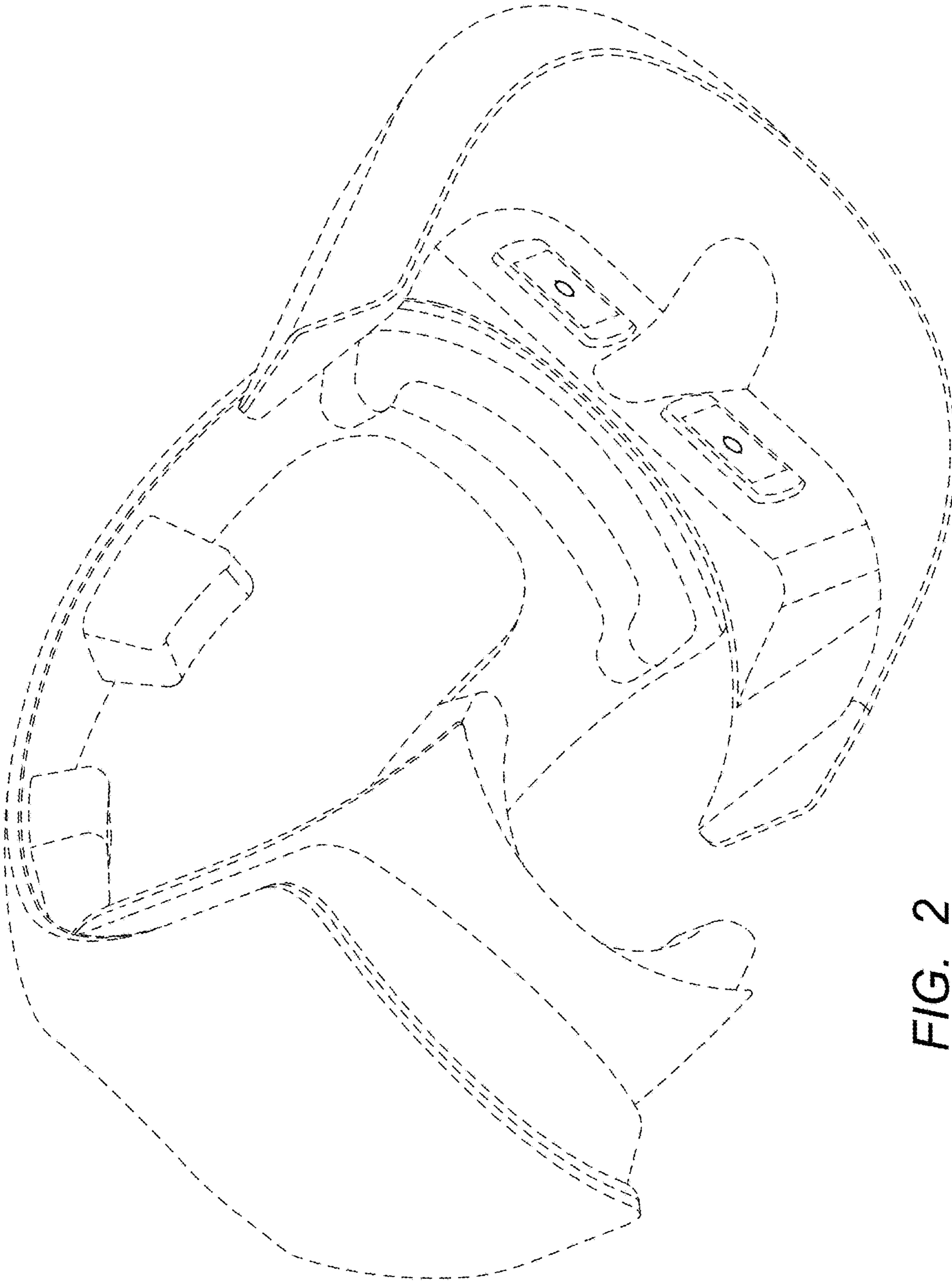


FIG. 2

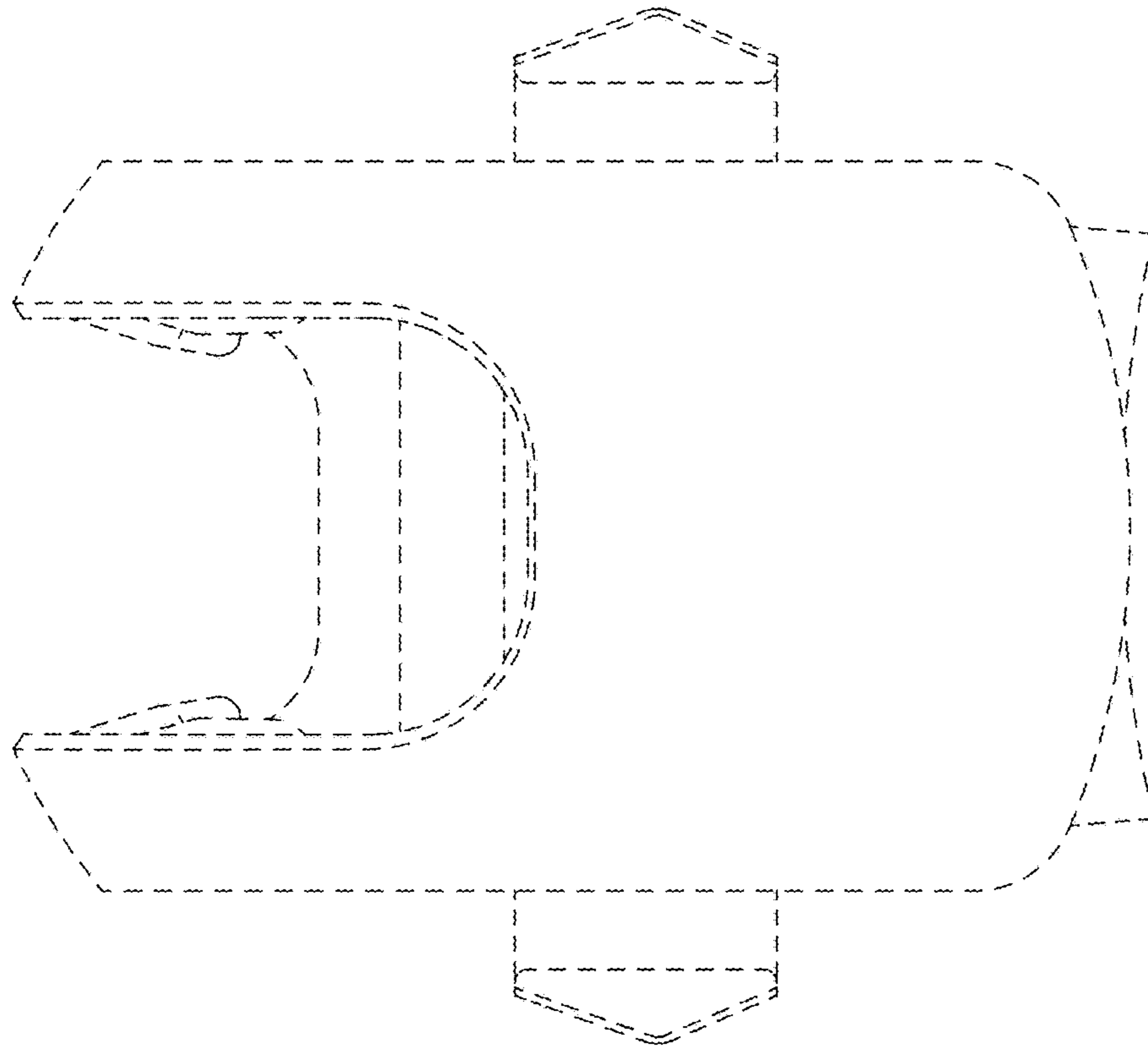


FIG. 4

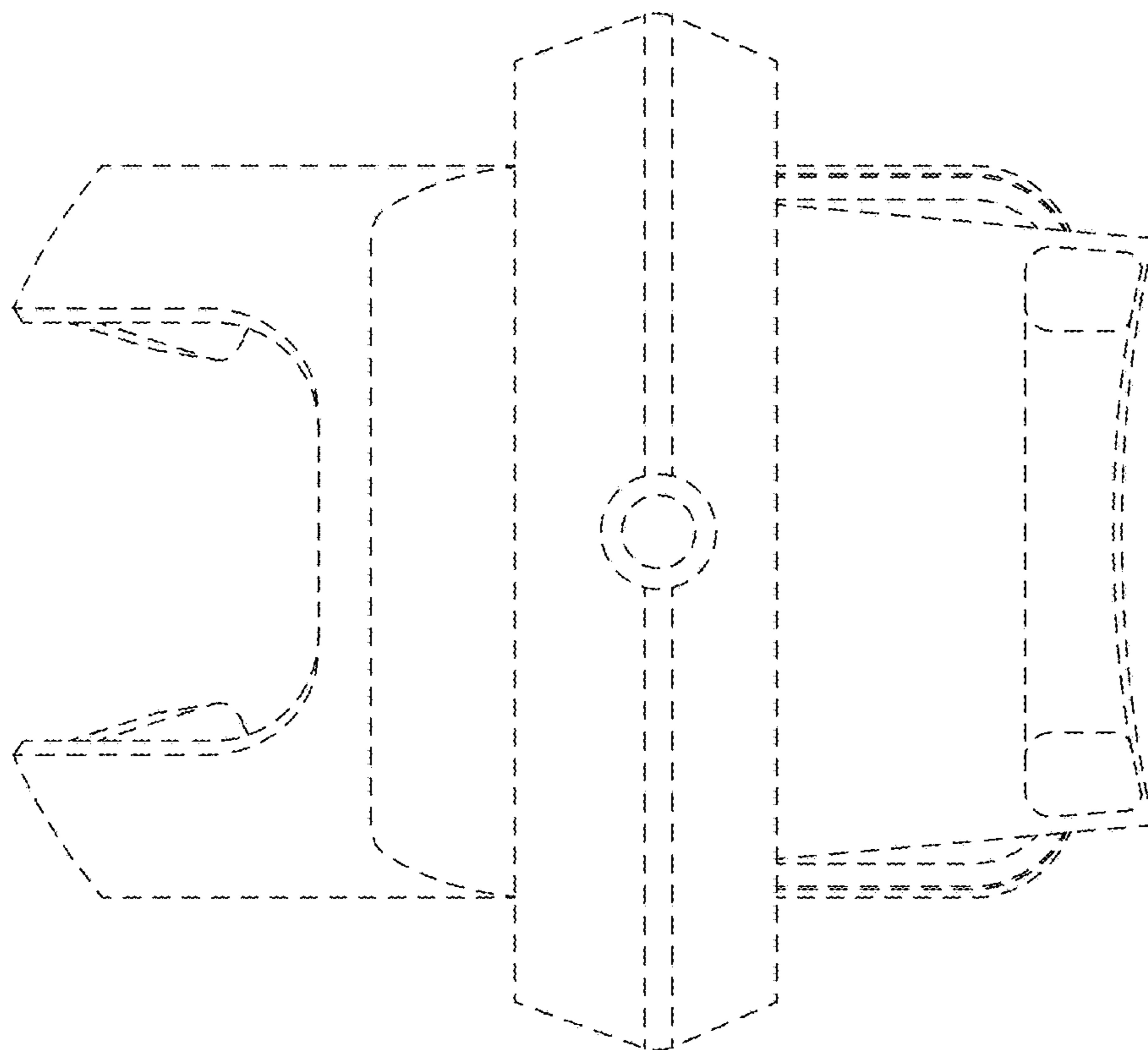


FIG. 3

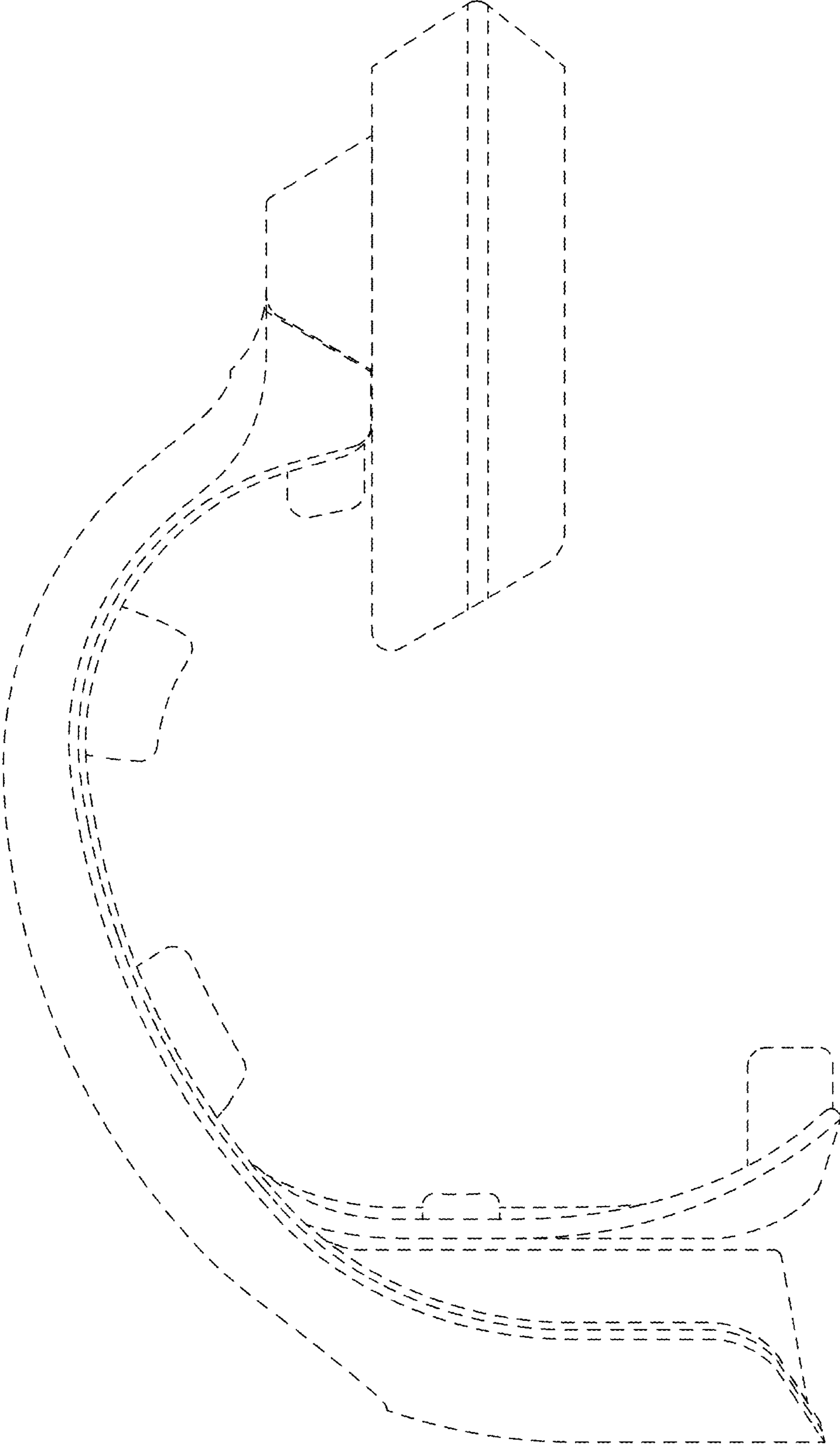


FIG. 5

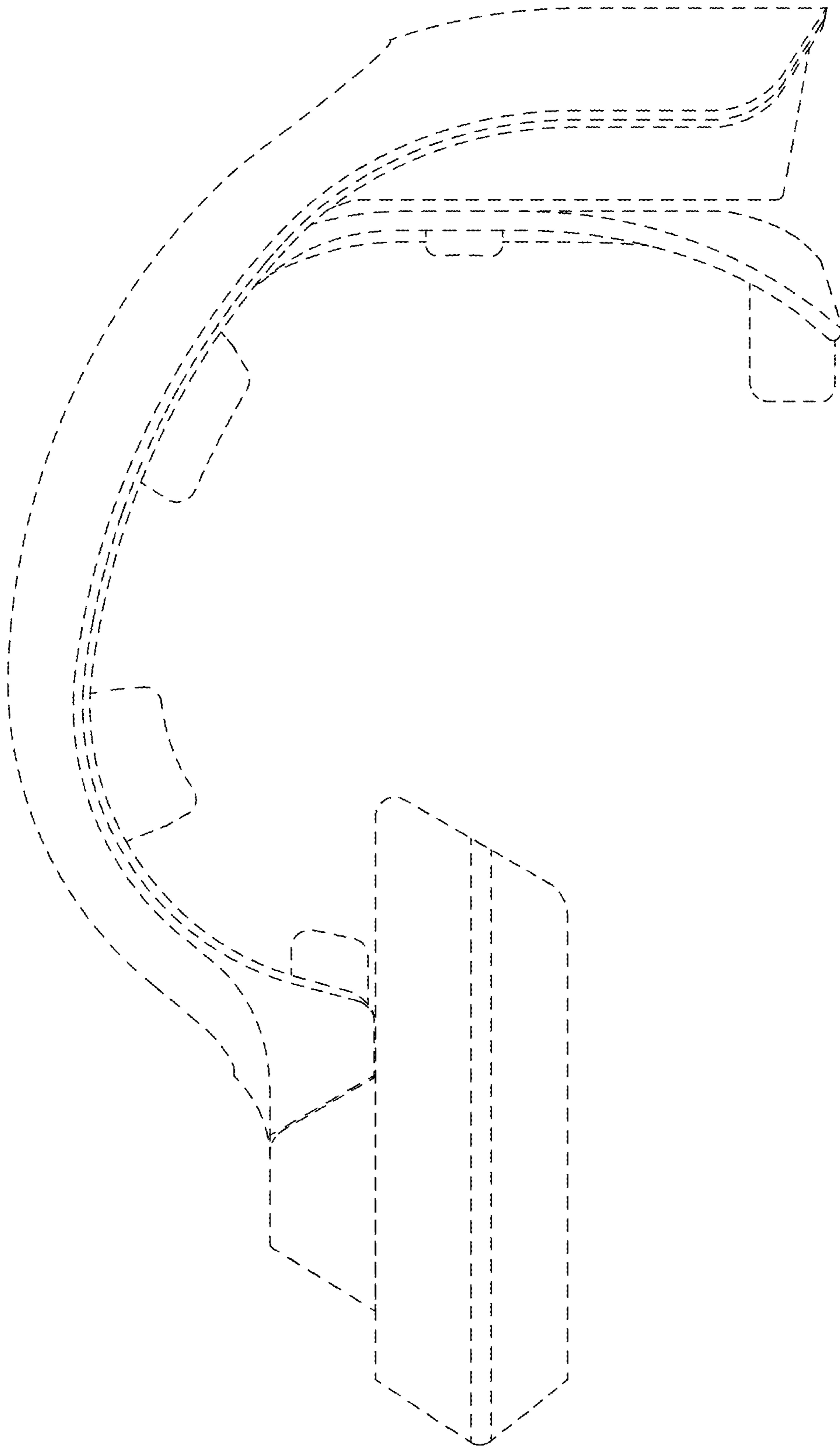


FIG. 6

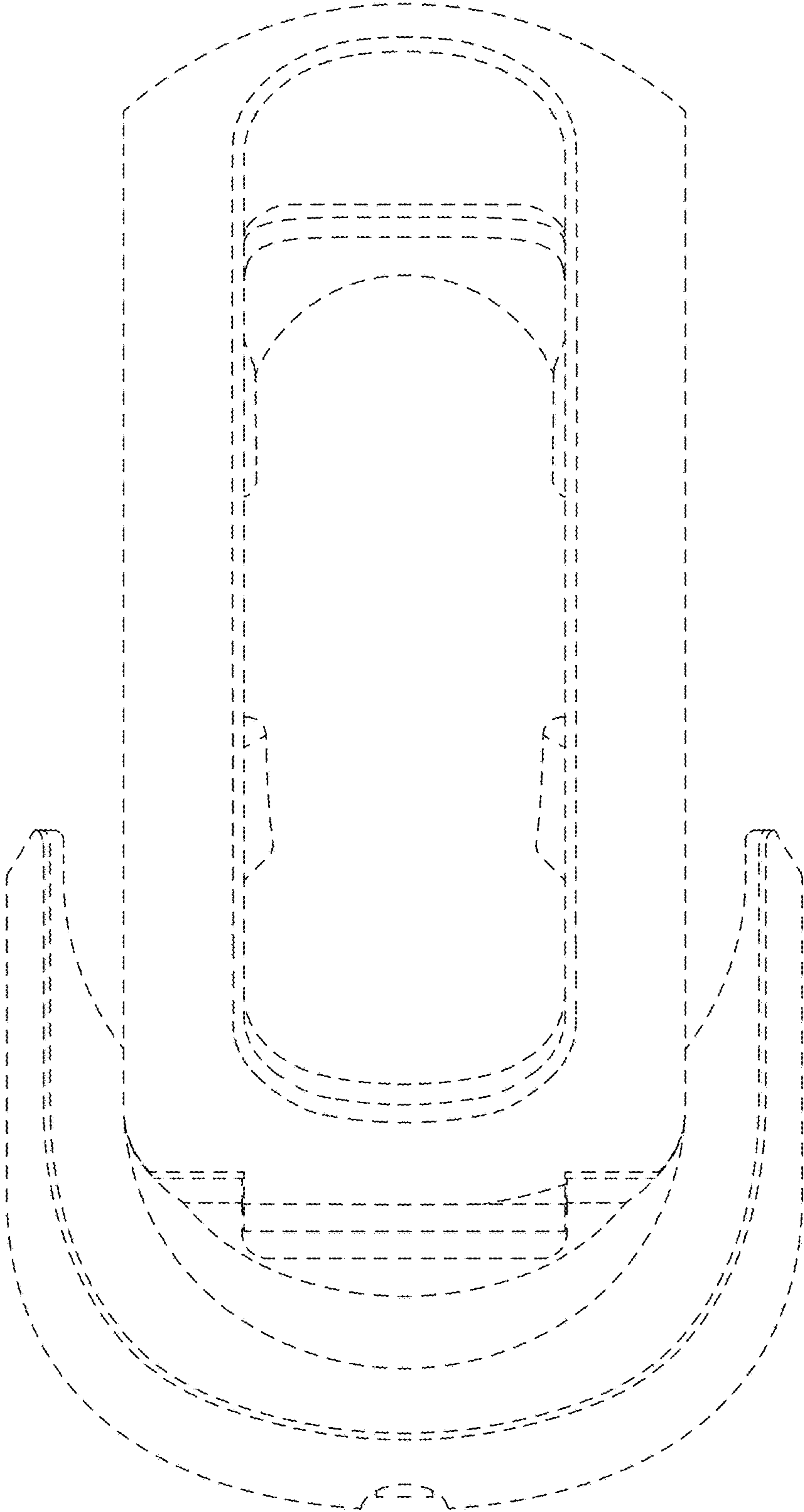


FIG. 7



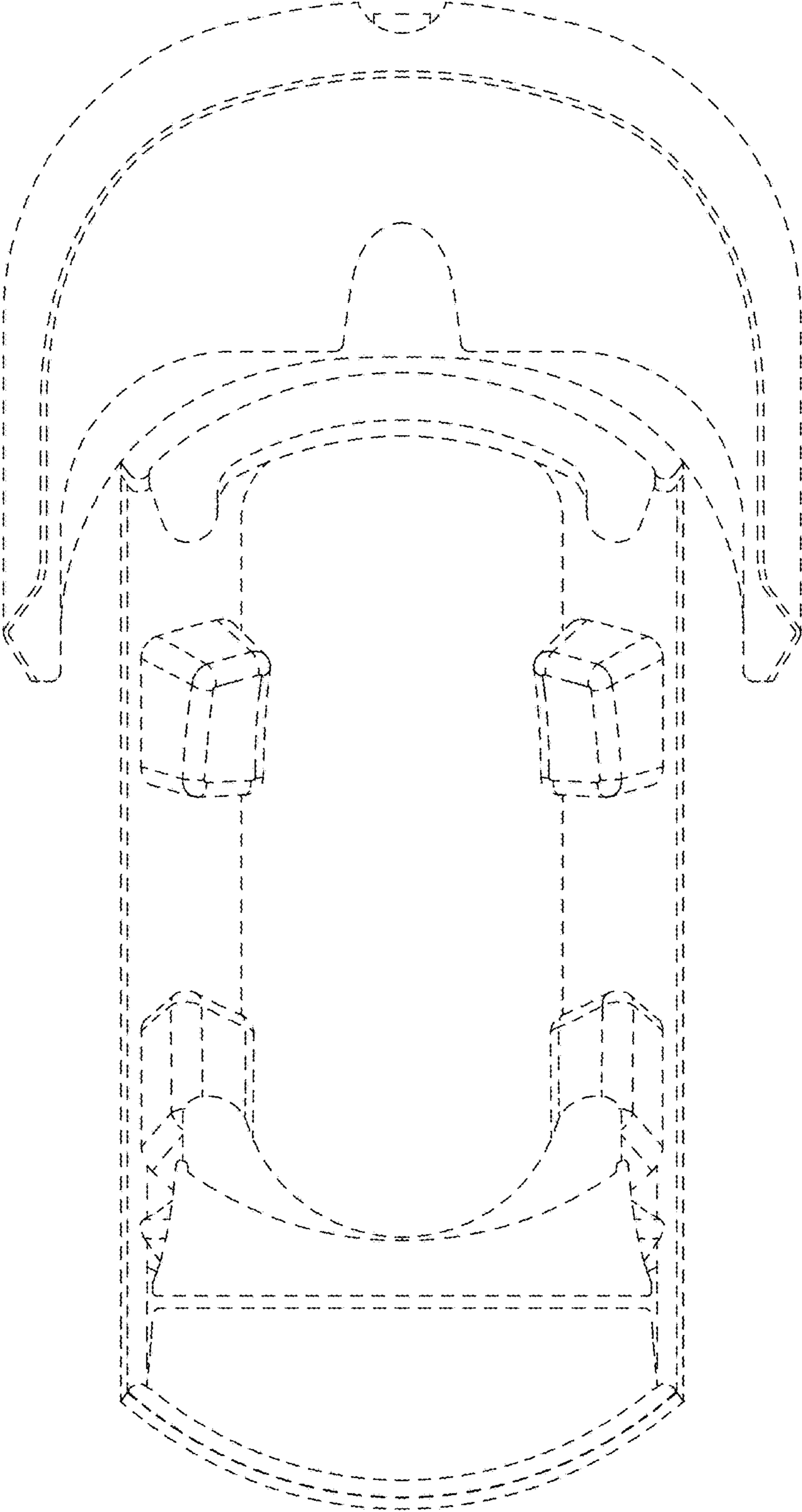


FIG. 8

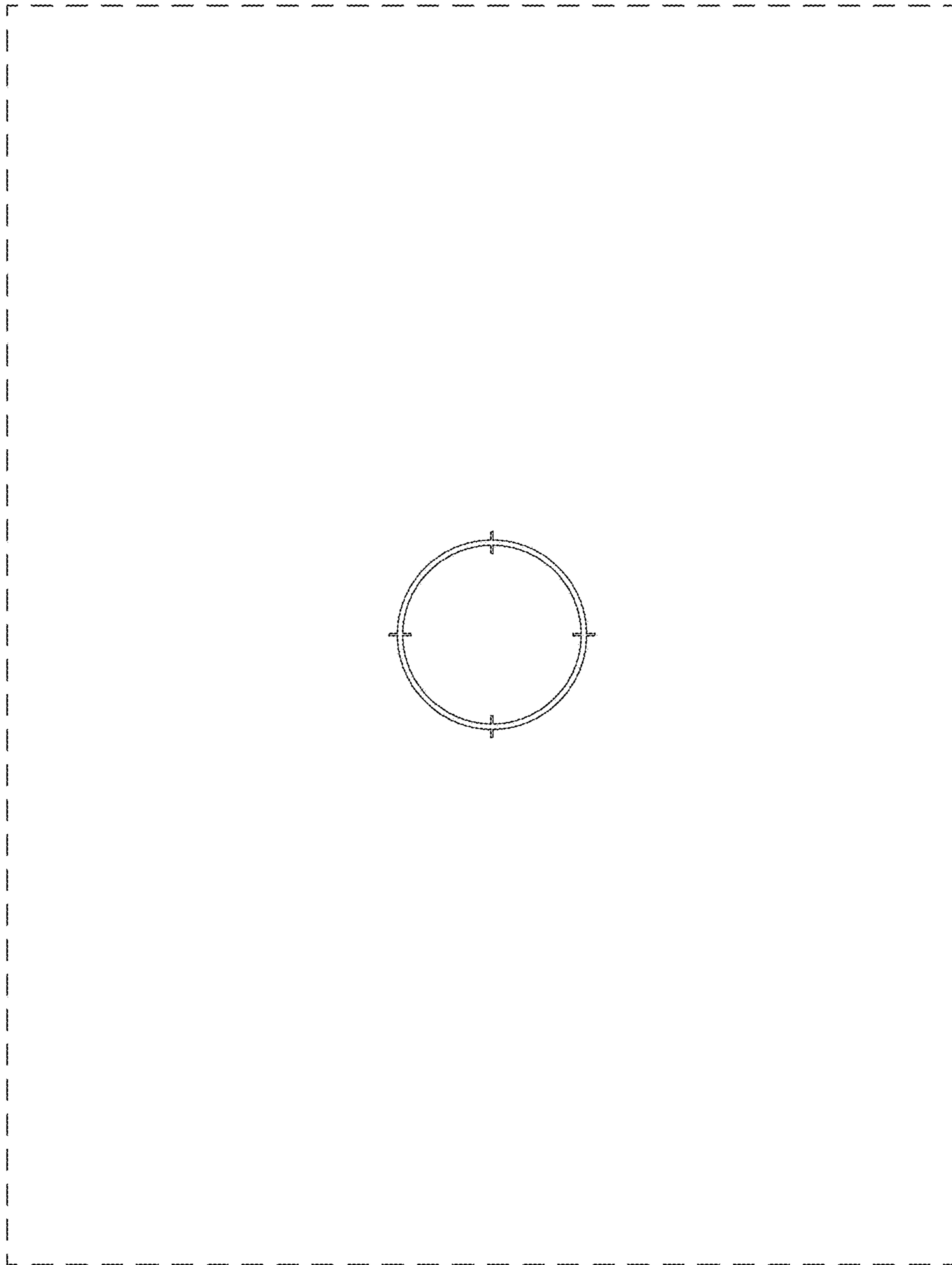


FIG. 9

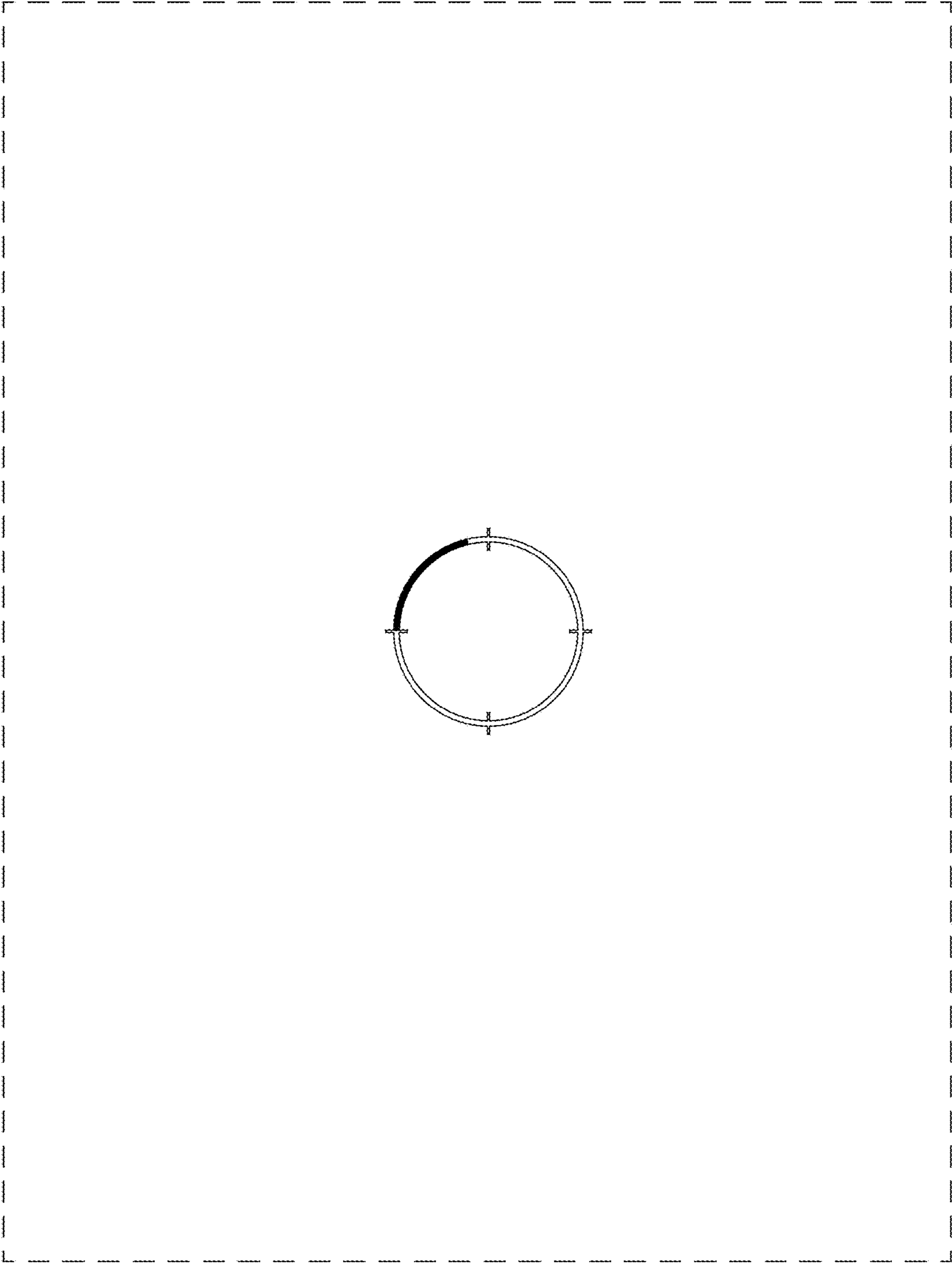


FIG. 10

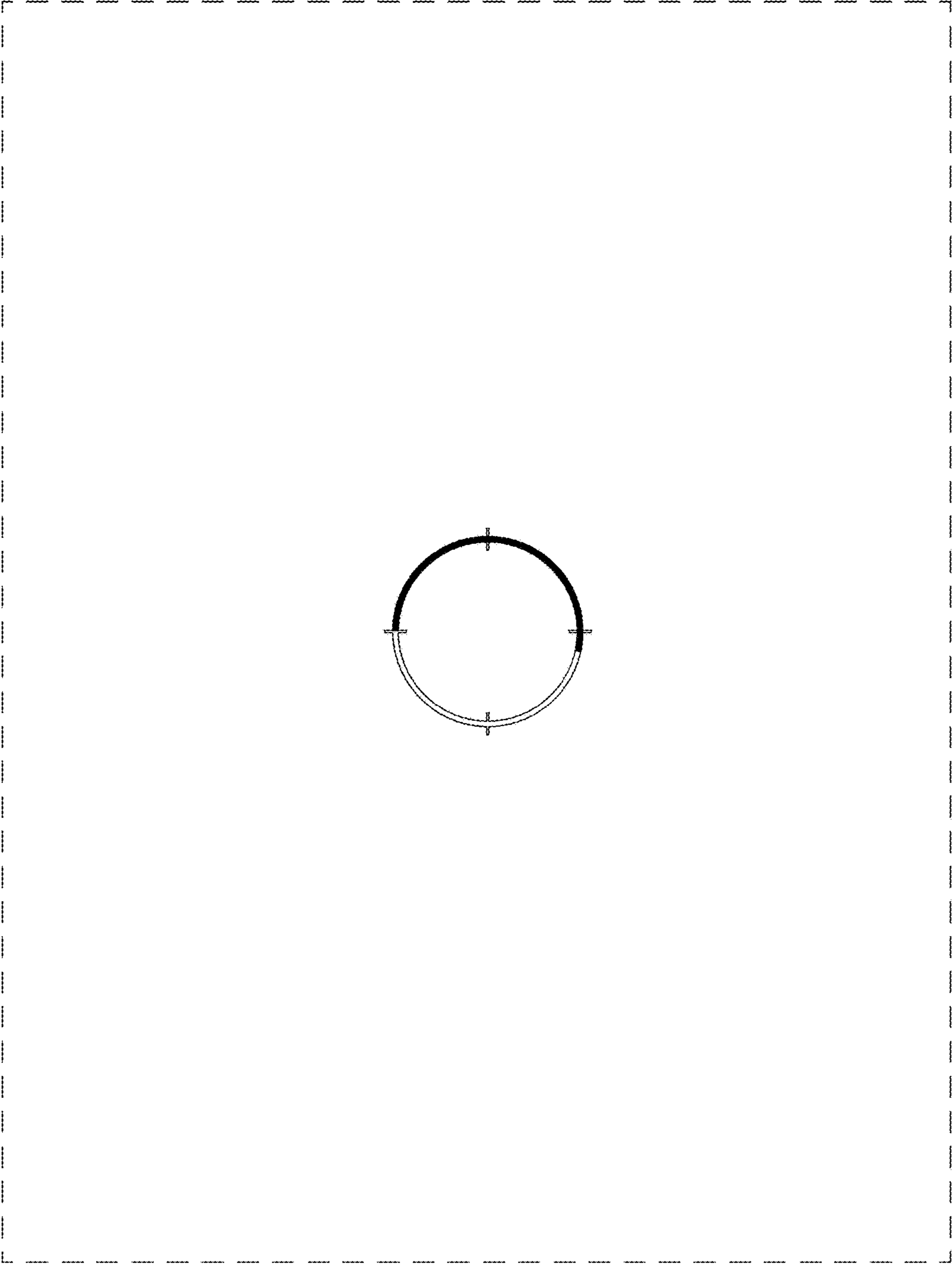


FIG. 11

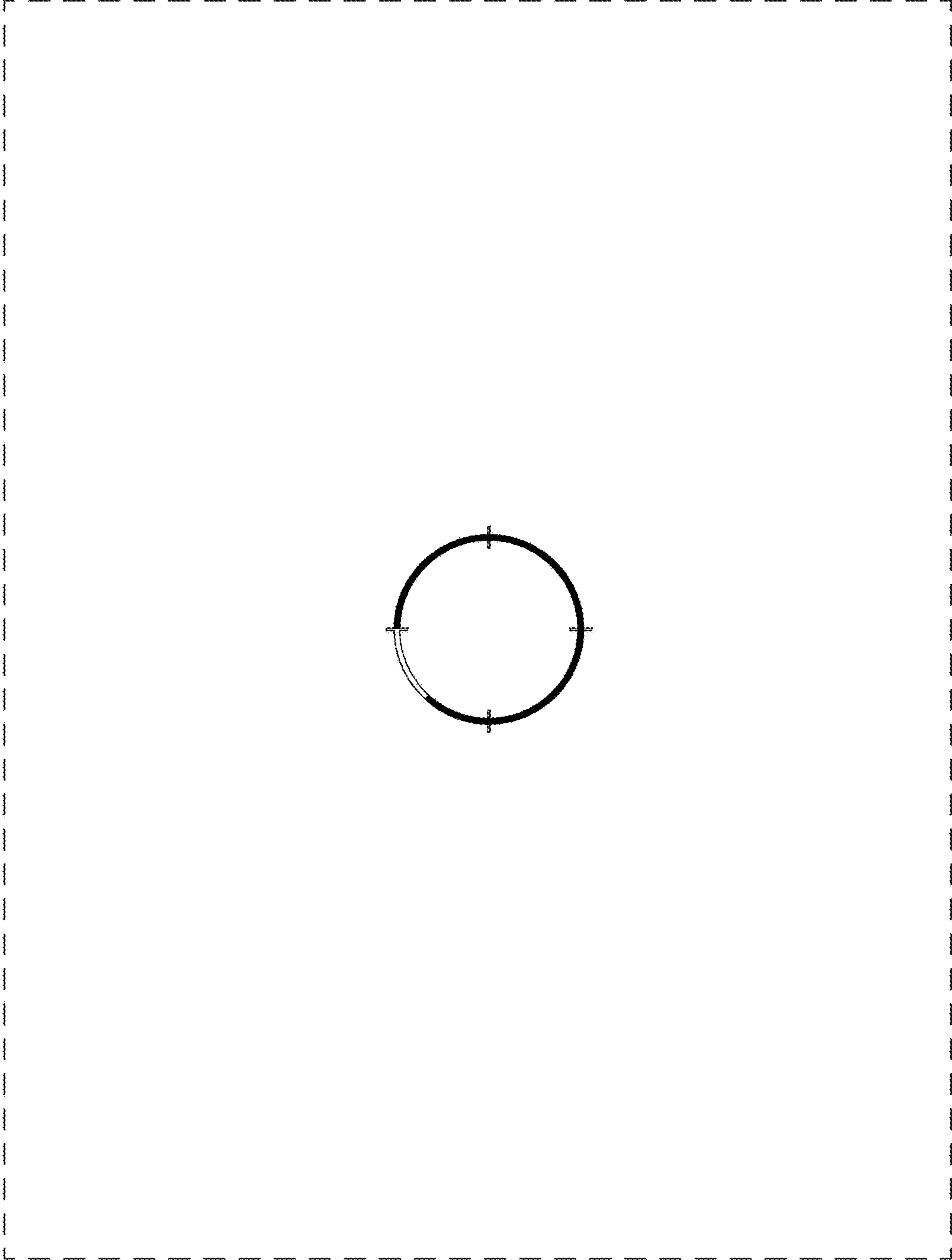


FIG. 12

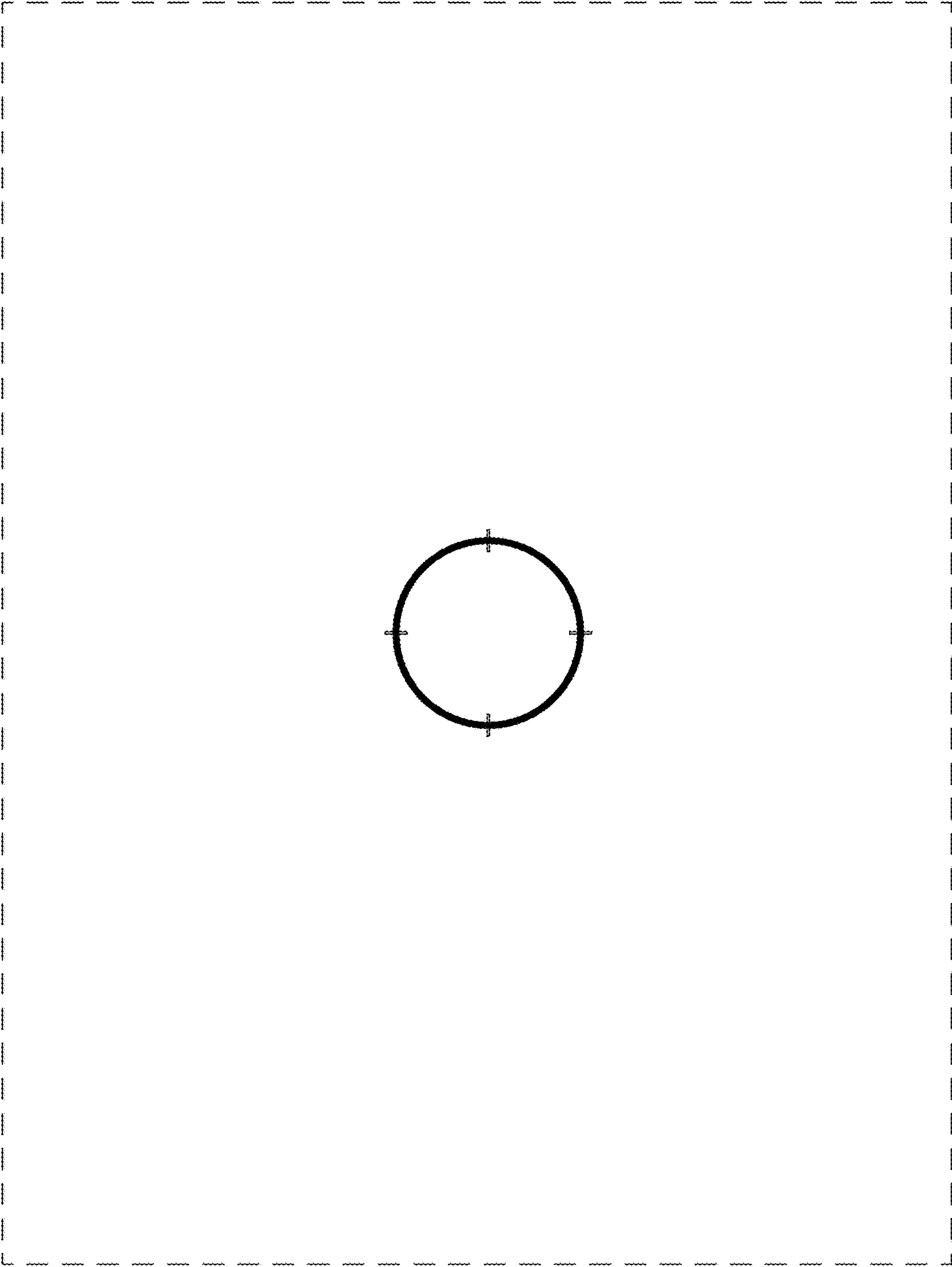


FIG. 13

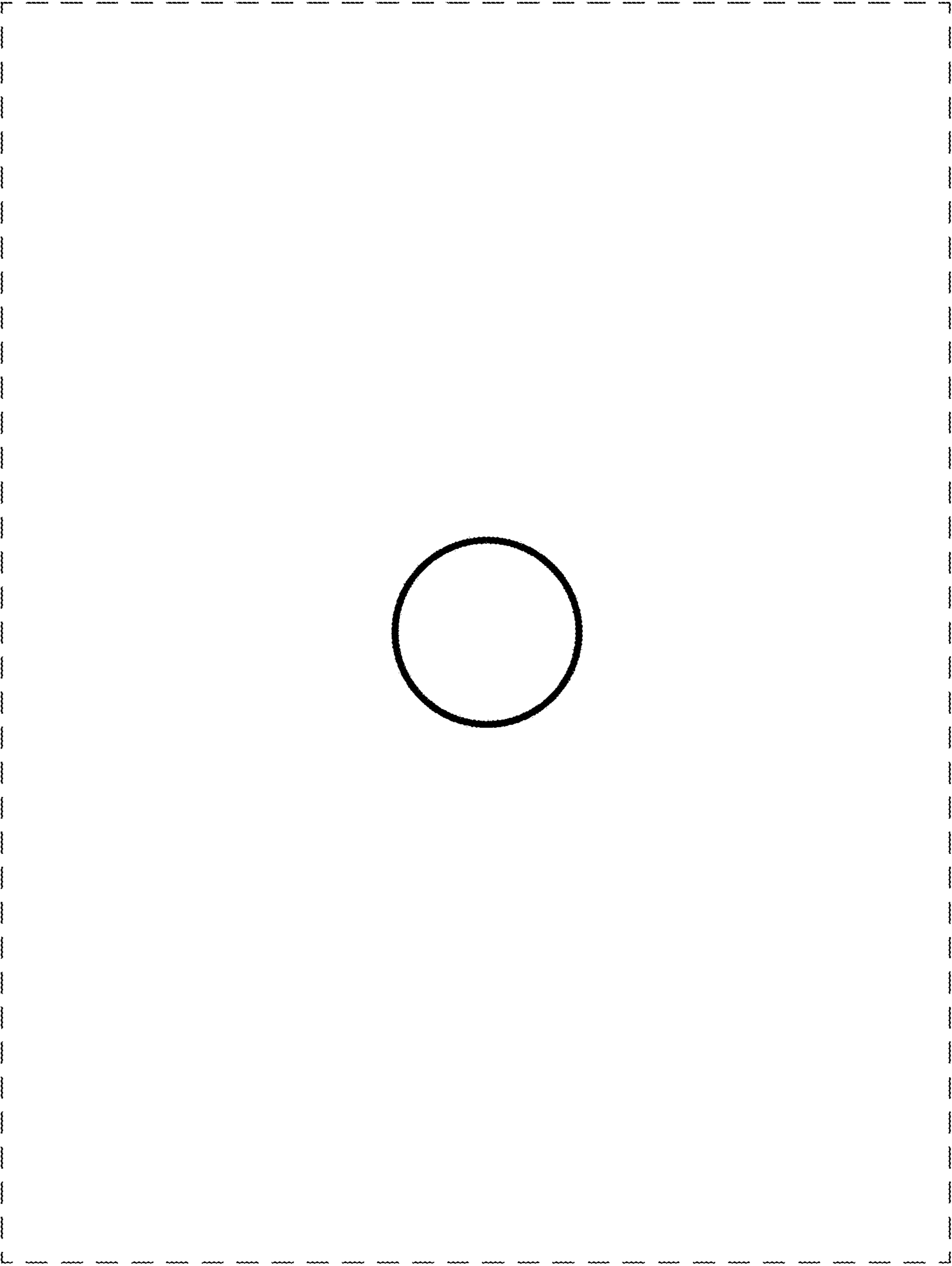


FIG. 14

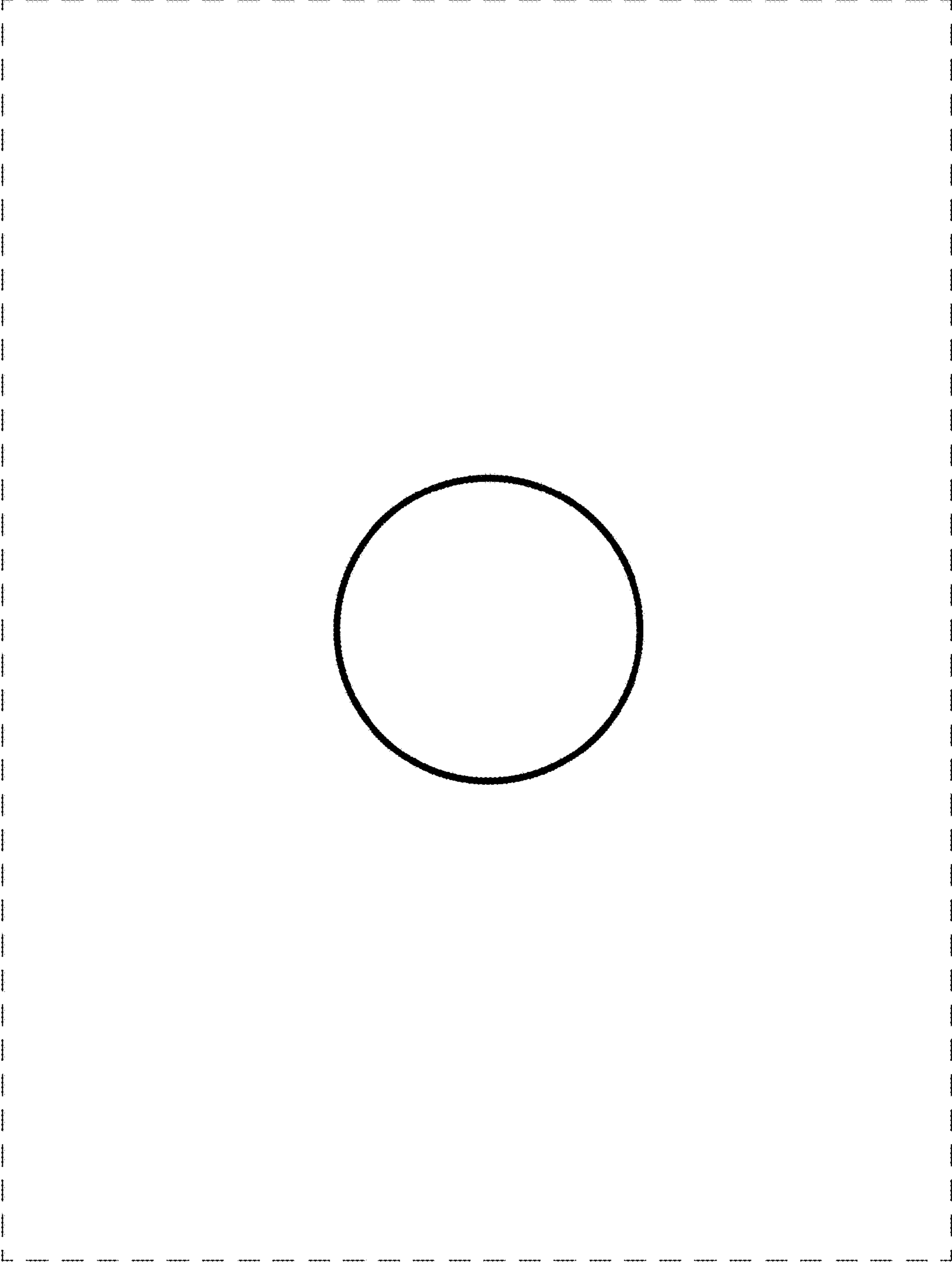


FIG. 15



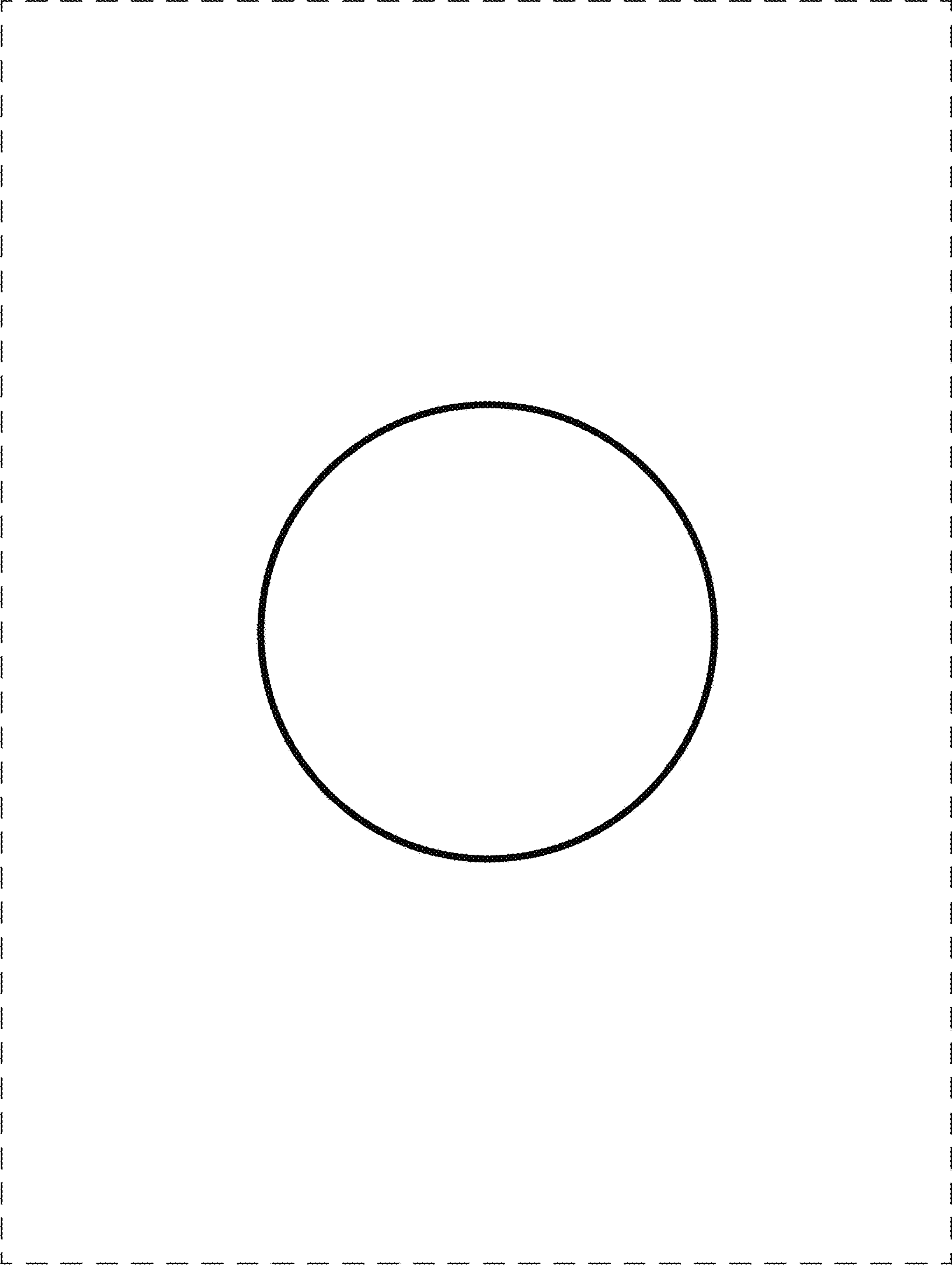


FIG. 16

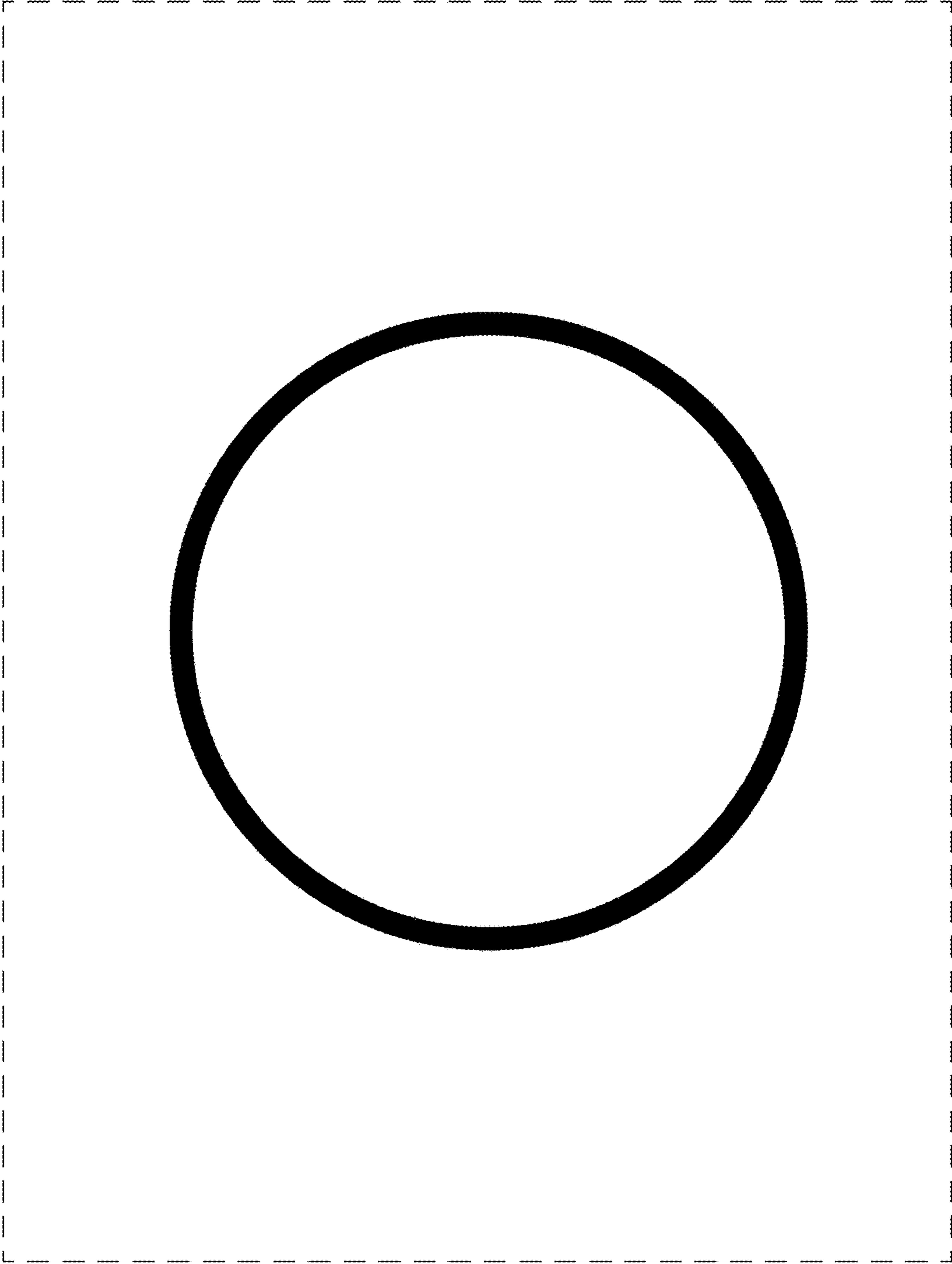


FIG. 17