



US00D788120S

(12) **United States Design Patent**
Kennedy et al.

(10) **Patent No.:** **US D788,120 S**

(45) **Date of Patent:** **** May 30, 2017**

(54) **DISPLAY SCREEN OR PORTION THEREOF WITH AN ANIMATED GRAPHICAL USER INTERFACE**

2009/0273610 A1* 11/2009 Busch G06T 7/0012
345/619

* cited by examiner

(71) Applicant: **Google Inc.**, Mountain View, CA (US)

Primary Examiner — Richelle G Shelton

(72) Inventors: **Zachery W. Kennedy**, San Jose, CA (US); **Zachury Minjack**, San Francisco, CA (US); **Tomas Brennessl**, Palo Alto, CA (US); **Anthony M. Fadell**, Woodside, CA (US); **Anton Davydov**, Gilroy, CA (US)

(74) *Attorney, Agent, or Firm* — Kilpatrick Townsend & Stockton LLP

(57) **CLAIM**

The ornamental design for a display screen or portion thereof with an animated graphical user interface, as shown and described.

DESCRIPTION

(73) Assignee: **Google Inc.**, Mountain View, CA (US)

FIG. 1 illustrates a front view of a display screen or portion thereof with an animated graphical user interface showing a first image of the sequence;

(**) Term: **15 Years**

FIG. 2 illustrates a front view thereof showing a second image of the sequence;

(21) Appl. No.: **29/537,528**

FIG. 3 illustrates a front view thereof showing a third image of the sequence;

(22) Filed: **Aug. 26, 2015**

FIG. 4 illustrates a front view thereof showing a fourth image of the sequence;

(51) **LOC (10) Cl.** **14-04**

(52) **U.S. Cl.**
USPC **D14/485**

(58) **Field of Classification Search**
USPC D14/485-495
CPC G06T 13/00; G06T 13/80; G06F 3/04845
See application file for complete search history.

FIG. 5 illustrates a front view thereof showing a fifth image of the sequence;

FIG. 6 illustrates a front view thereof showing a sixth image of the sequence; and,

FIG. 7 illustrates a front view thereof showing a seventh image of the sequence.

The broken line showing of the display screen or portion thereof and the remainder of the animated graphical user interface forms no part of the claimed design.

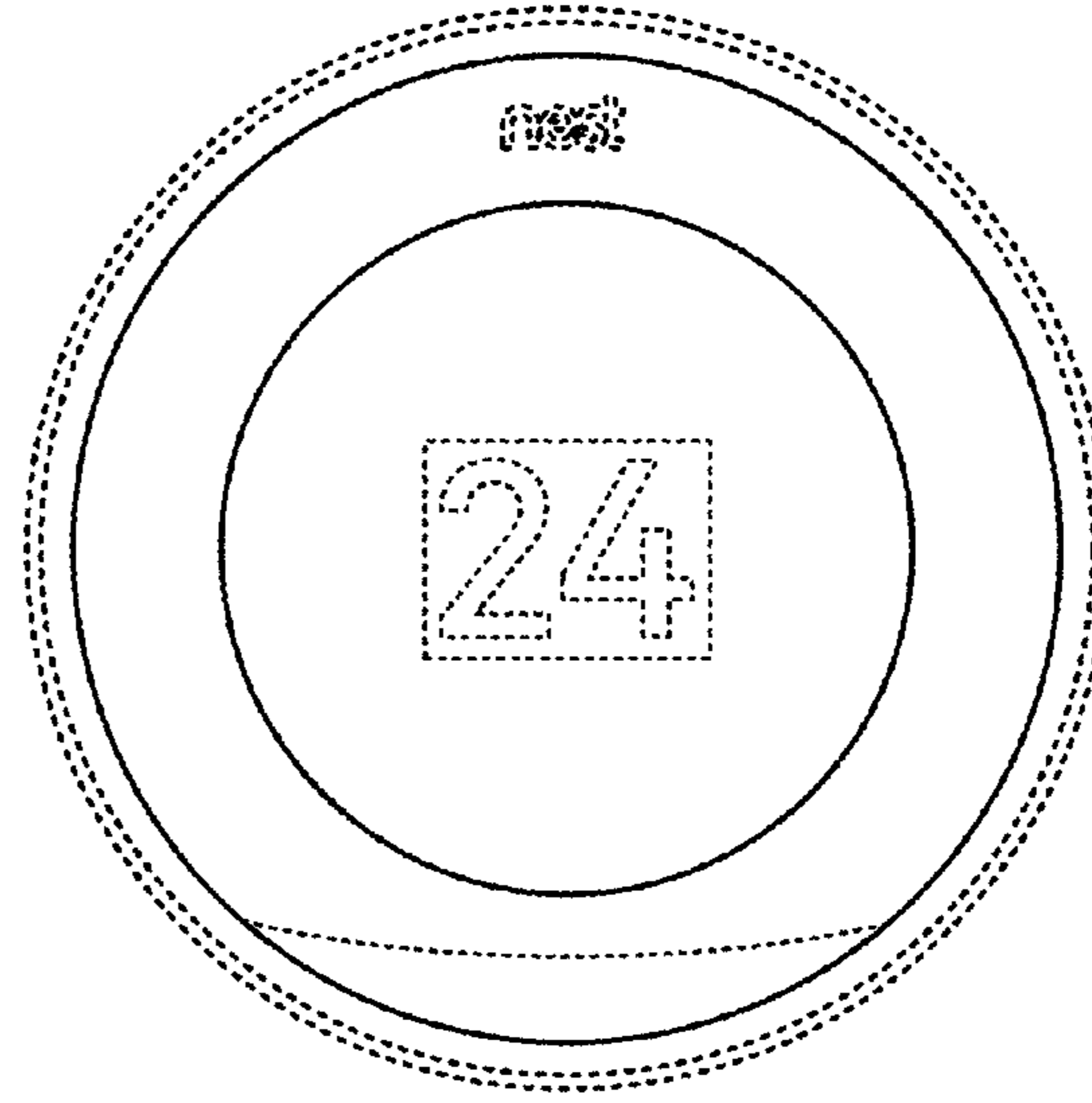
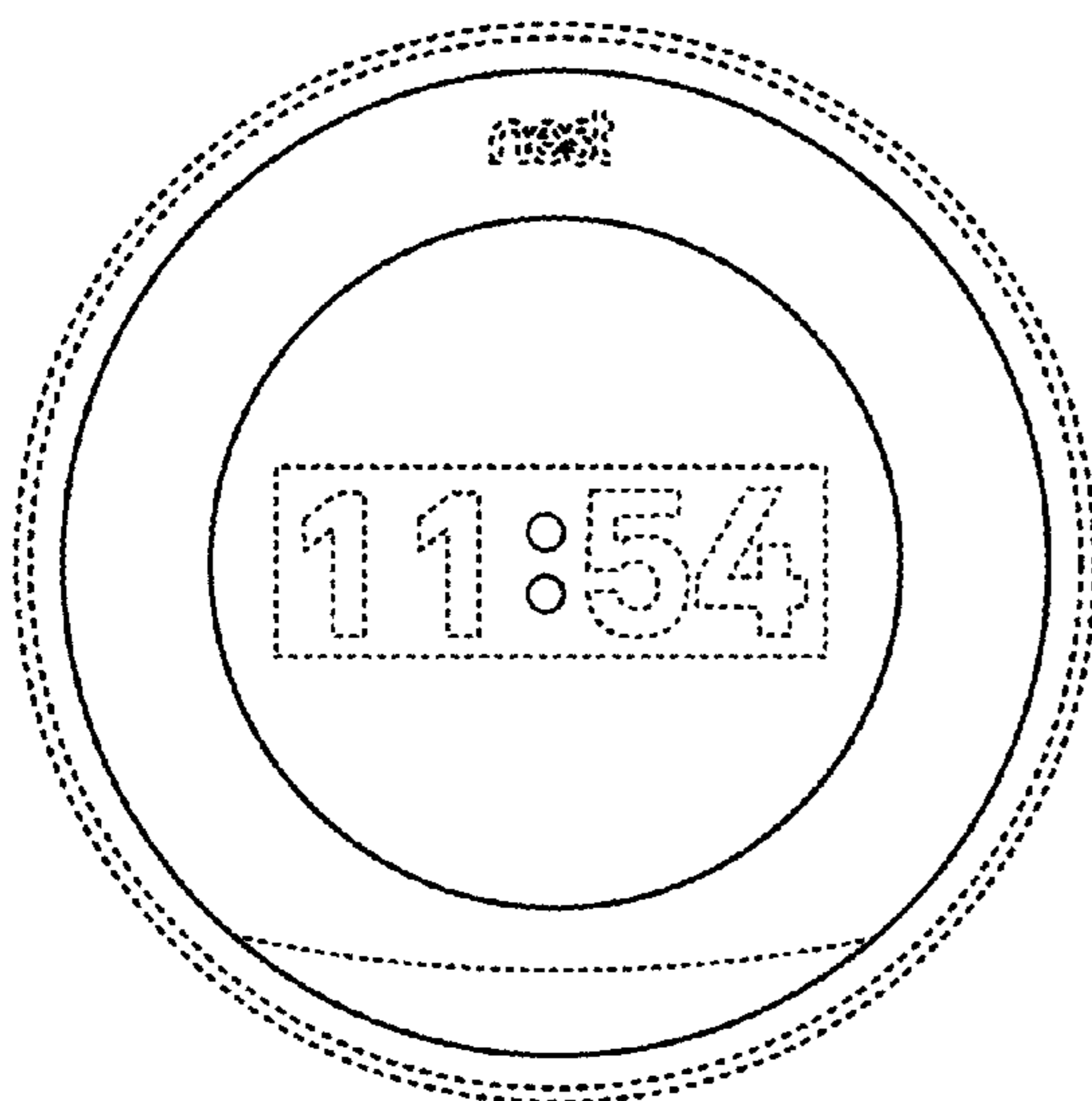
The appearance of the transitional image sequentially transitions between images shown in FIGS. 1 through 7. The process or period in which one image transitions to another image forms no part of the claimed design.

(56) **References Cited**

U.S. PATENT DOCUMENTS

D699,749 S *	2/2014	Pearson	D14/488
D737,278 S *	8/2015	Shin	D14/485
D764,497 S *	8/2016	Seo	D14/485
D765,091 S *	8/2016	Del Lima	D14/485
D765,674 S *	9/2016	Kim	D14/485
D767,629 S *	9/2016	Gupta	D14/492

1 Claim, 2 Drawing Sheets



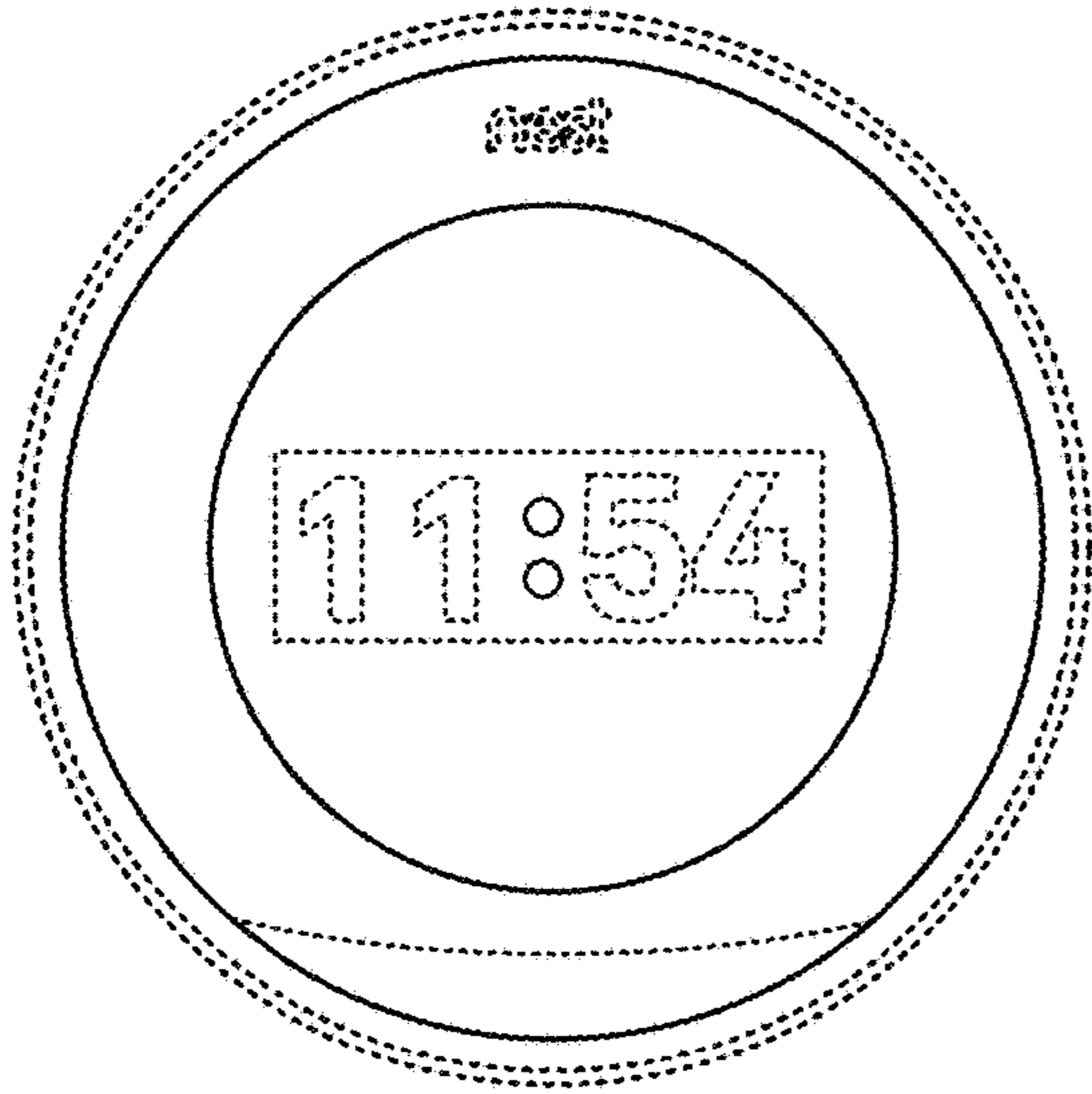


FIG. 1

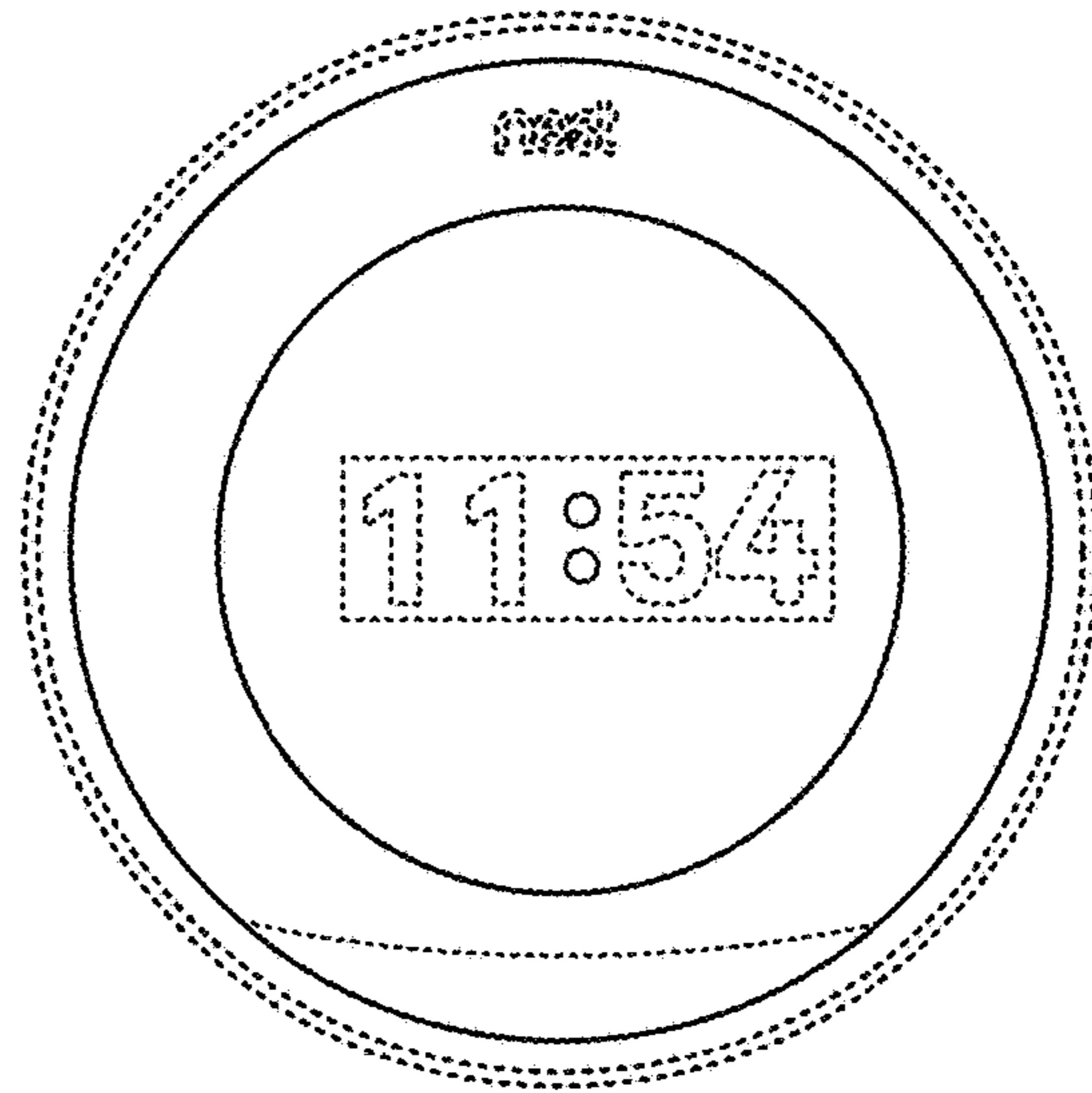


FIG. 2

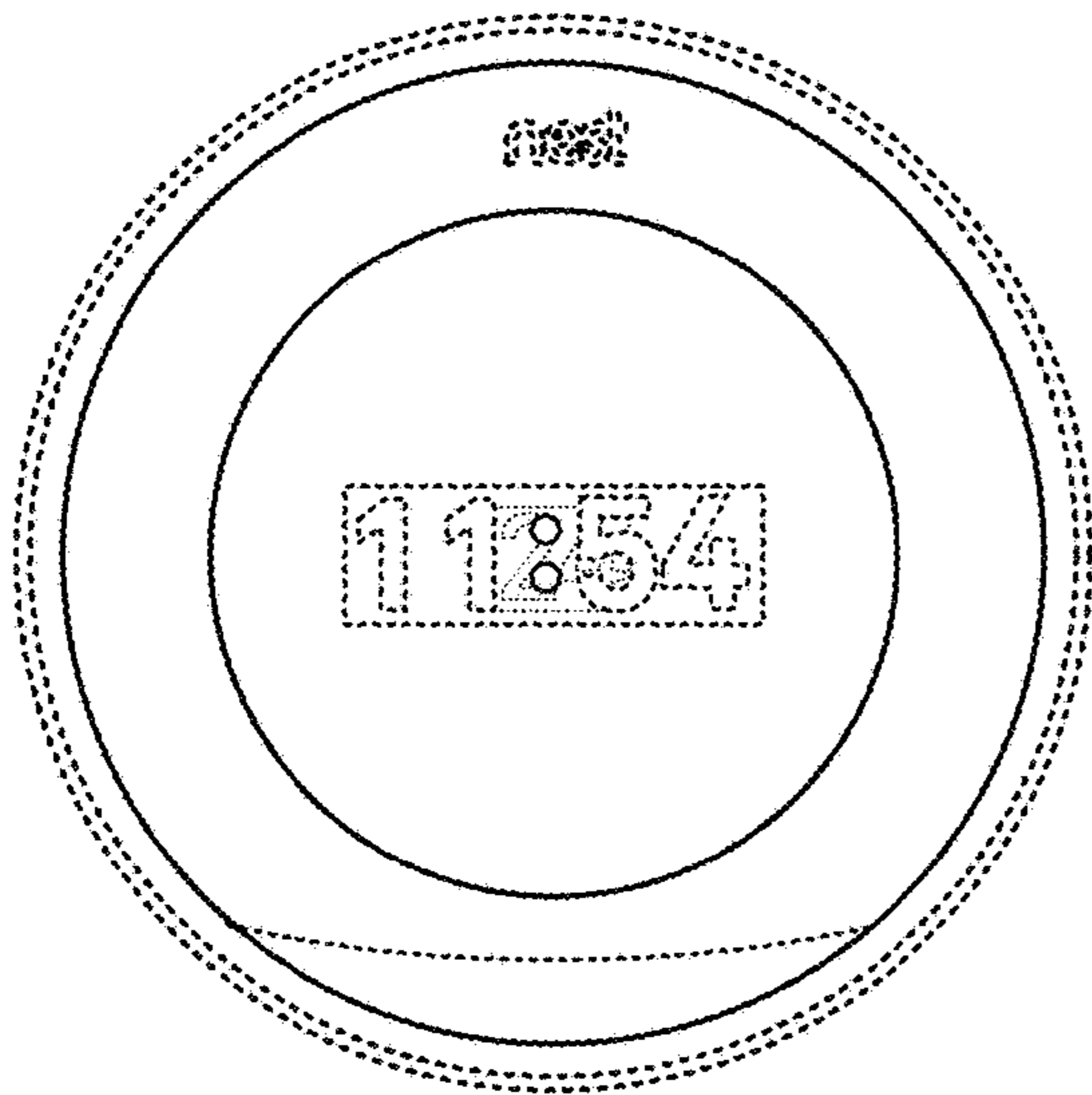


FIG. 3

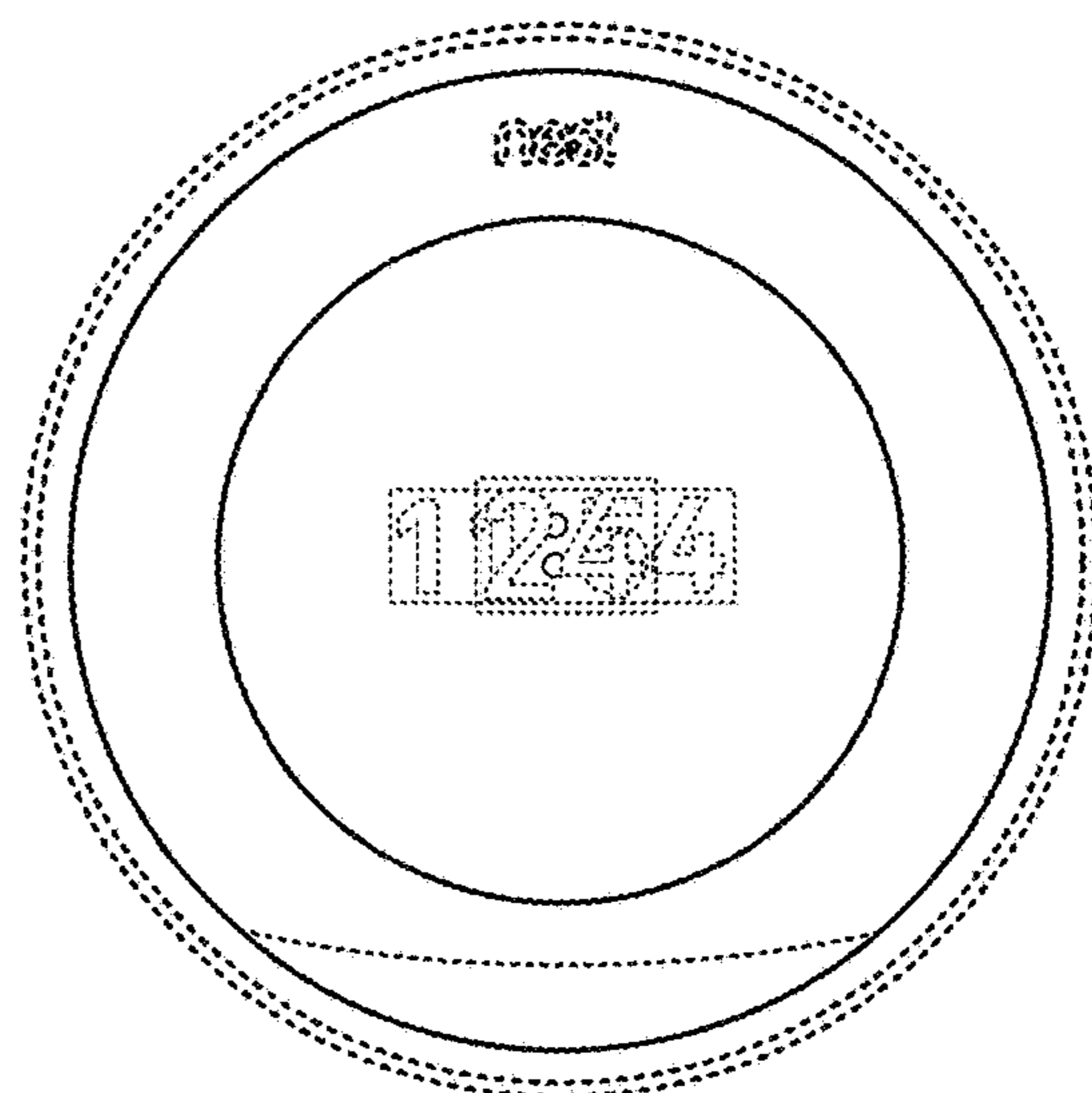


FIG. 4

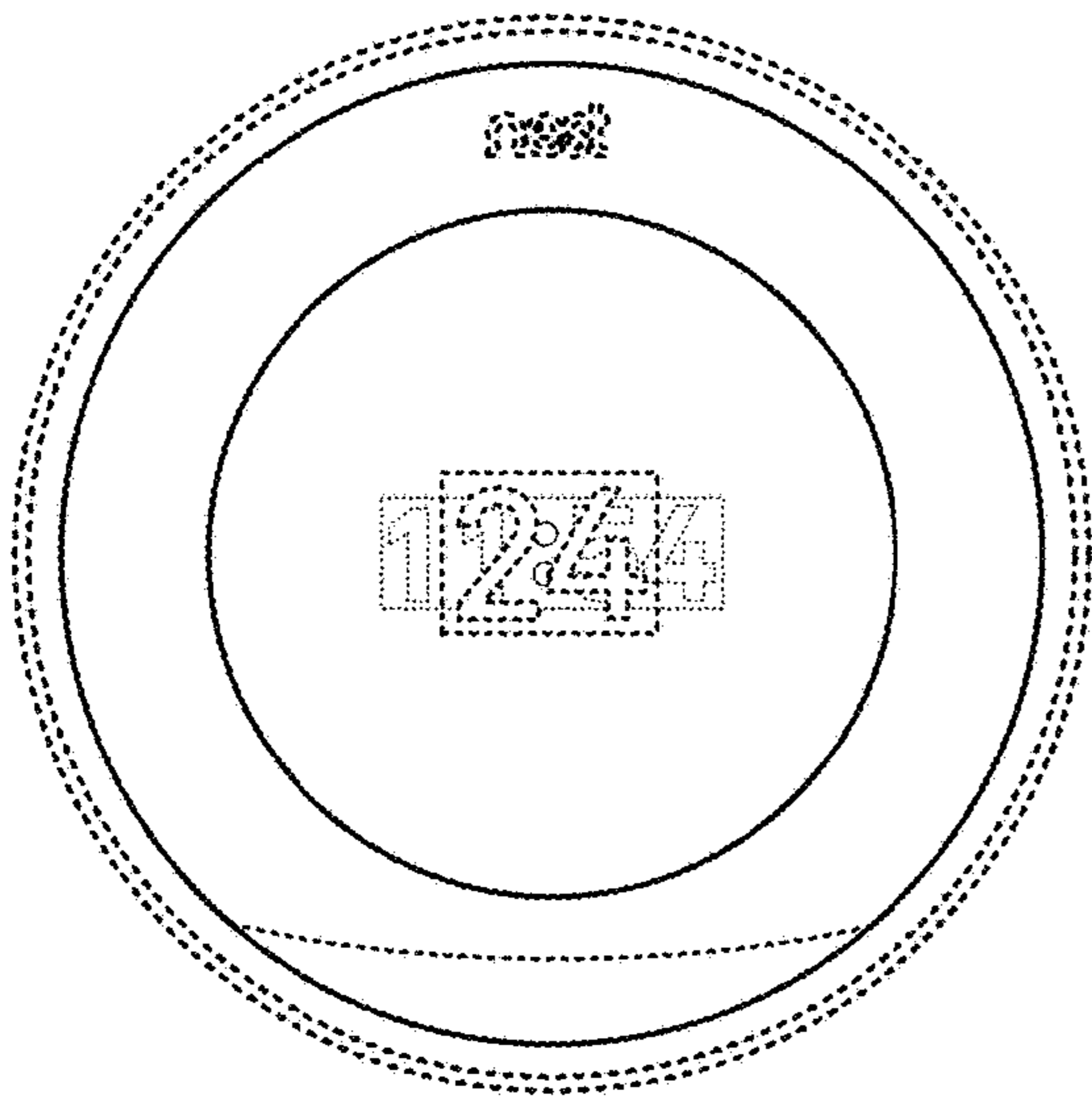


FIG. 5

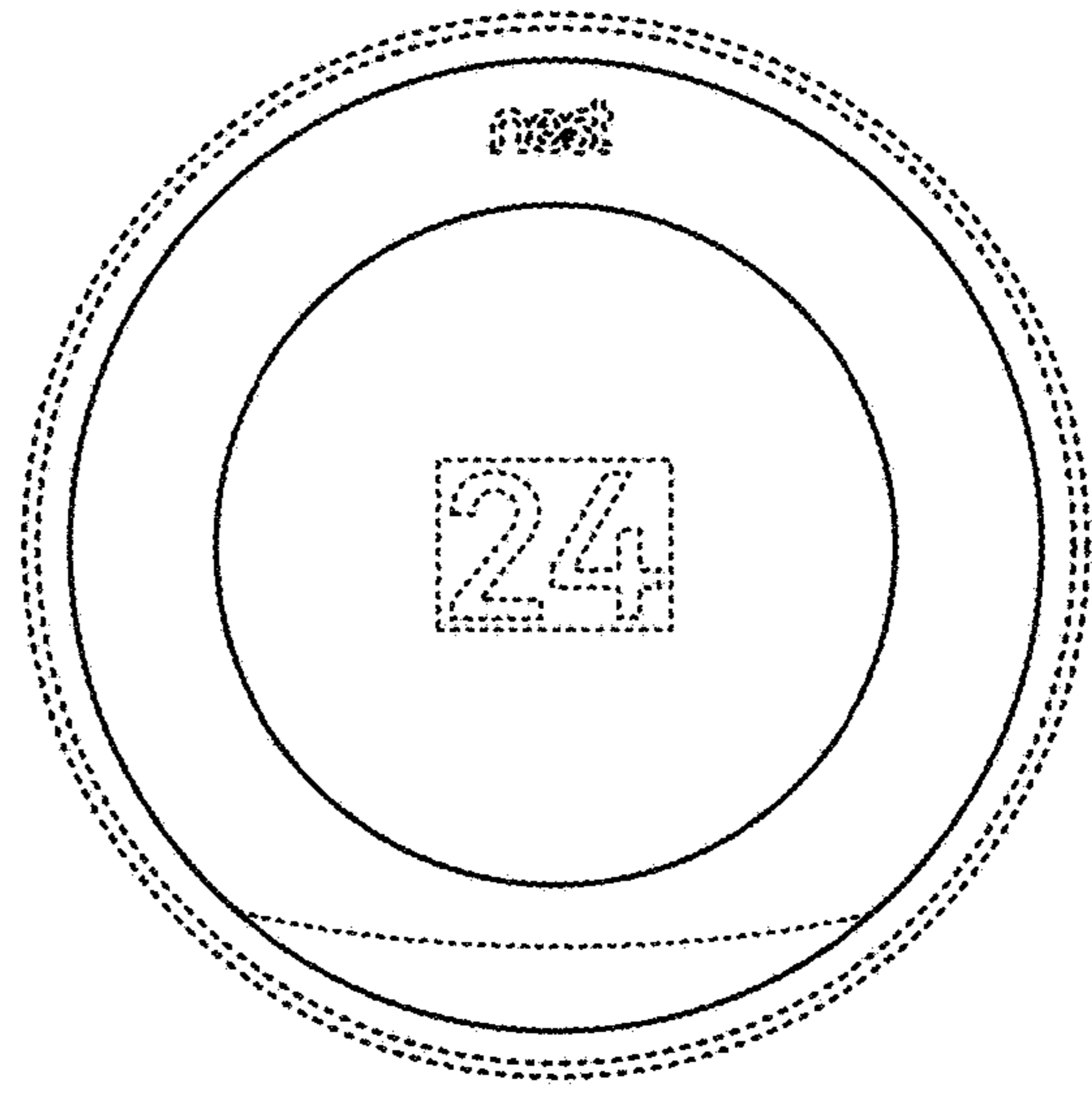


FIG. 6

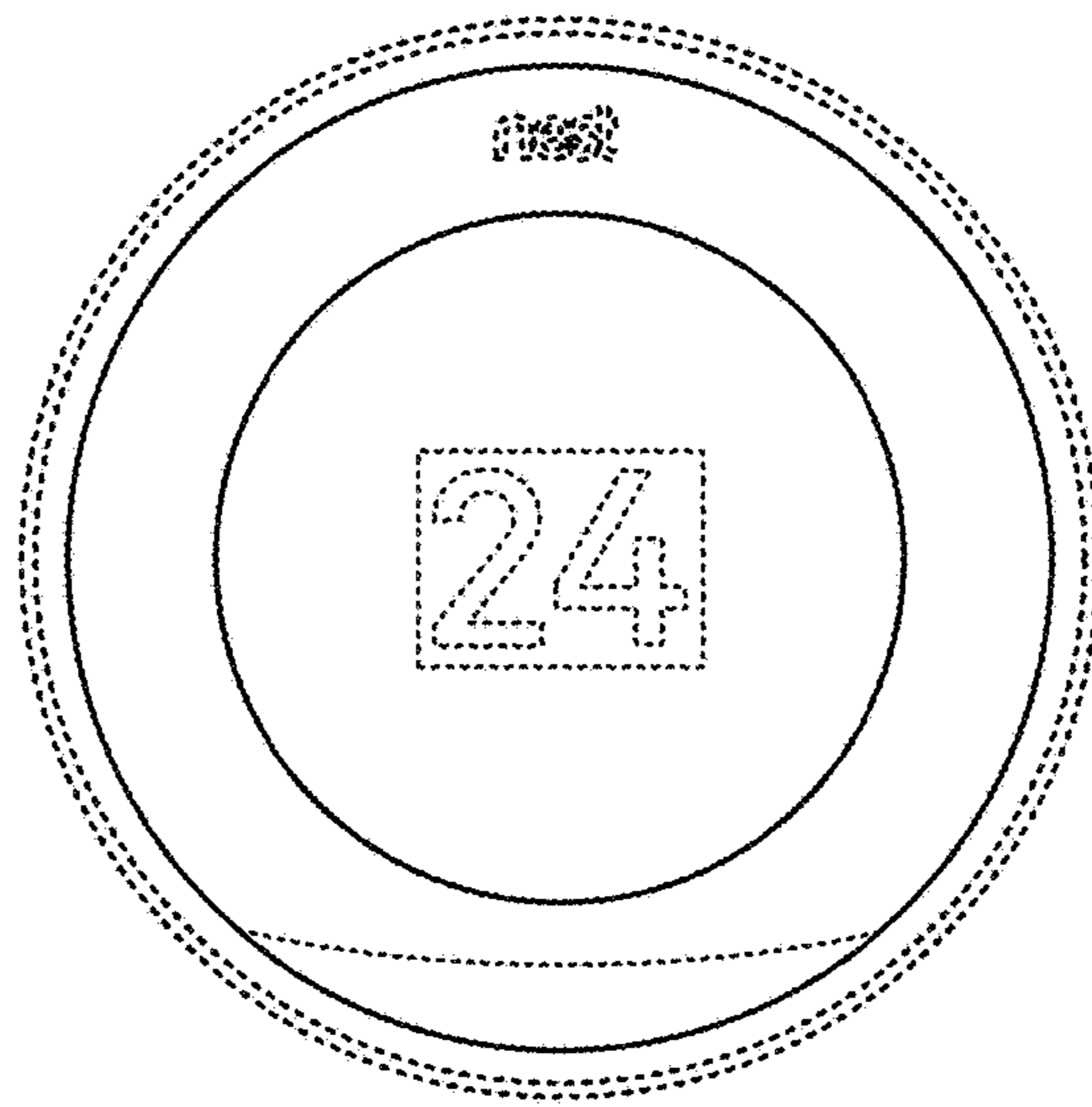


FIG. 7