



US00D788119S

(12) **United States Design Patent**
Kennedy et al.

(10) **Patent No.:** **US D788,119 S**

(45) **Date of Patent:** **** May 30, 2017**

(54) **DISPLAY SCREEN OR PORTION THEREOF WITH AN ANIMATED GRAPHICAL USER INTERFACE**

D765,674 S * 9/2016 Kim D14/485
D767,629 S * 9/2016 Gupta D14/492
2009/0273610 A1* 11/2009 Busch G06T 7/0012
345/619

(71) Applicant: **Google Inc.**, Mountain View, CA (US)

* cited by examiner

(72) Inventors: **Zachery W. Kennedy**, San Jose, CA (US); **Zachury Minjack**, San Francisco, CA (US); **Tomas Brennessl**, Palo Alto, CA (US); **Anthony M. Fadell**, Woodside, CA (US); **Anton Davydov**, Gilroy, CA (US)

Primary Examiner — Richelle G Shelton

(74) *Attorney, Agent, or Firm* — Kilpatrick Townsend & Stockton LLP

(73) Assignee: **Google Inc.**, Mountain View, CA (US)

(57) **CLAIM**

The ornamental design for a display screen or portion thereof with an animated graphical user interface, as shown and described.

(**) Term: **15 Years**

DESCRIPTION

(21) Appl. No.: **29/537,526**

(22) Filed: **Aug. 26, 2015**

(51) **LOC (10) Cl.** **14-04**

(52) **U.S. Cl.**
USPC **D14/485**

(58) **Field of Classification Search**
USPC D14/485–495
CPC G06T 13/00; G06T 13/80; G06F 3/04845
See application file for complete search history.

FIG. 1 illustrates a front view of a display screen or portion thereof with an animated graphical user interface showing a first image of the sequence;
FIG. 2 illustrates a front view thereof showing a second image of the sequence;
FIG. 3 illustrates a front view thereof showing a third image of the sequence; and,
FIG. 4 illustrates a front view thereof showing a fourth image of the sequence.

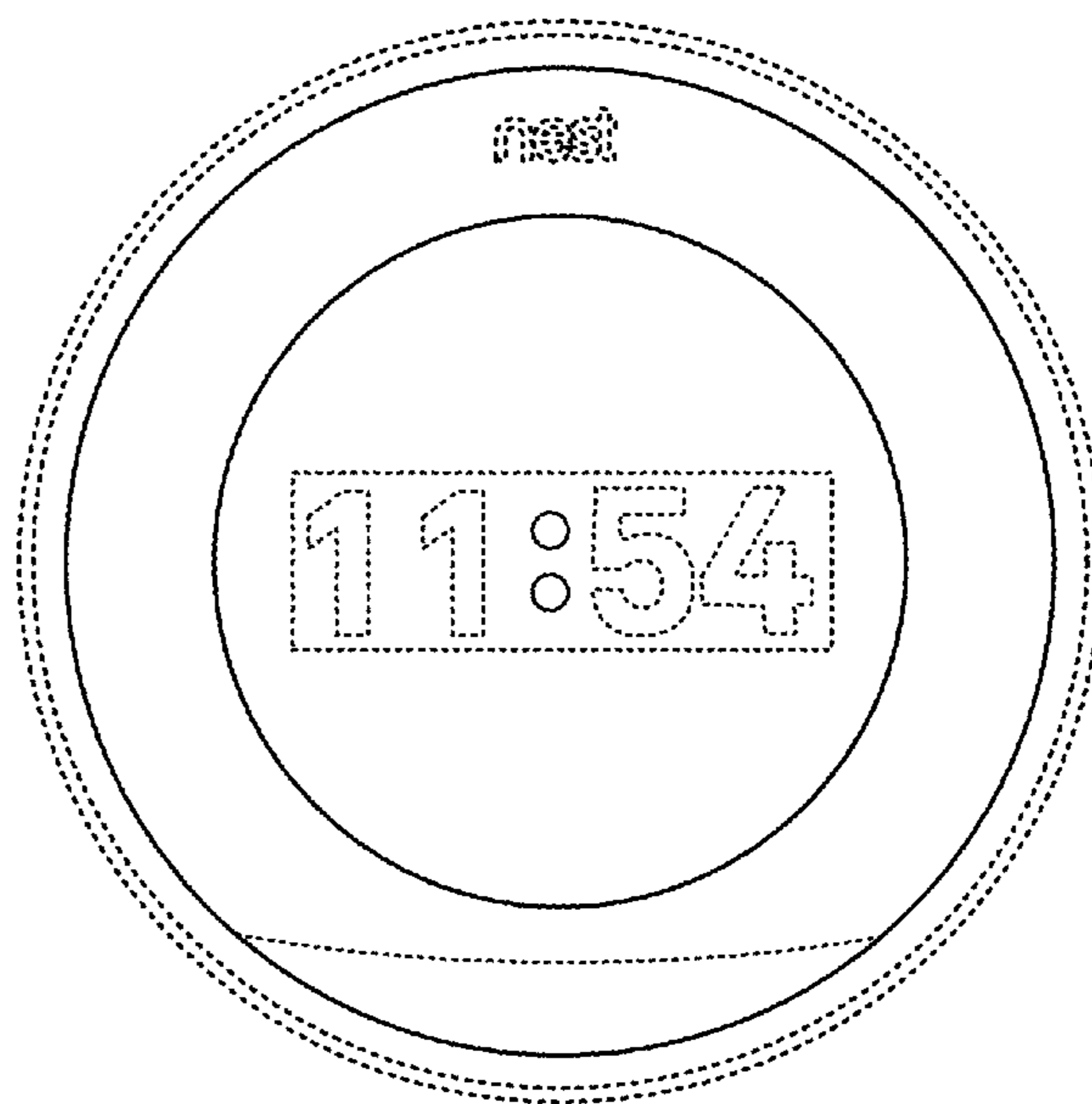
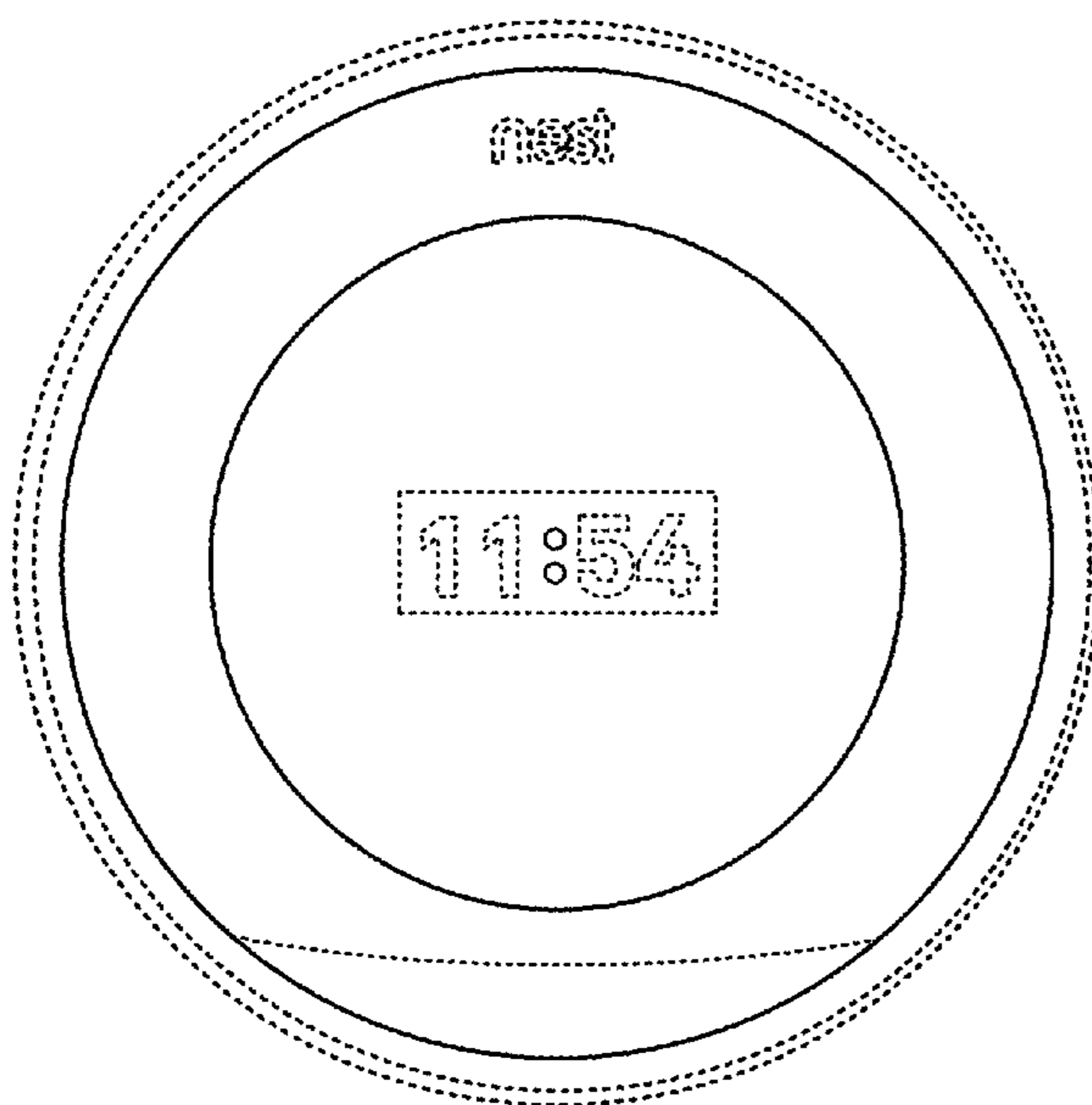
The broken line showing of the display screen or portion thereof and the remainder of the animated graphical user interface forms no part of the claimed design. The appearance of the transitional image sequentially transitions between images shown in FIGS. 1 through 4. The process or period in which one image transitions to another image forms no part of the claimed design.

(56) **References Cited**

U.S. PATENT DOCUMENTS

D699,749 S * 2/2014 Pearson D14/488
D737,278 S * 8/2015 Shin D14/485
D764,497 S * 8/2016 Seo D14/485
D765,091 S * 8/2016 Del Lima D14/485

1 Claim, 4 Drawing Sheets



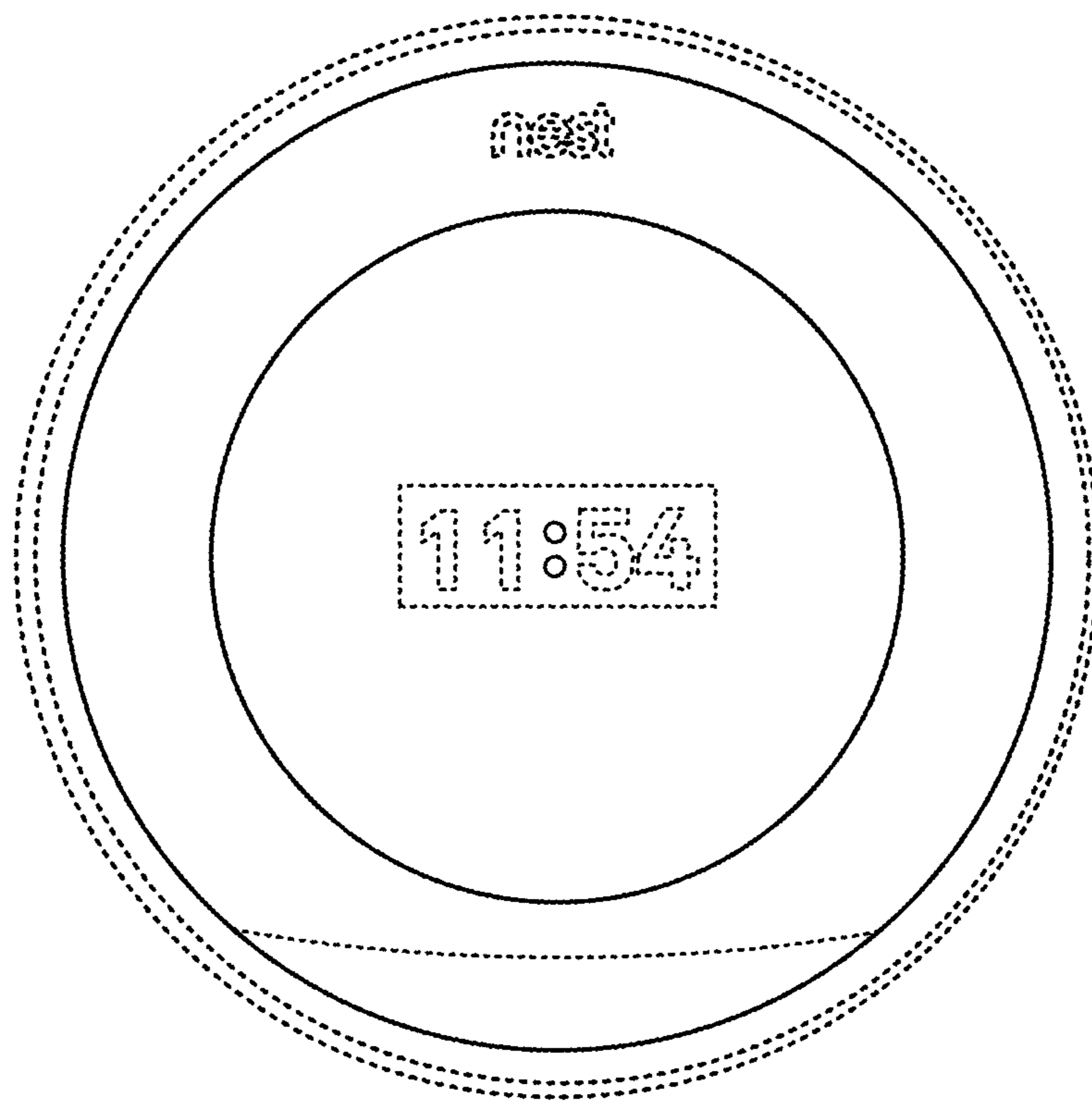


FIG. 1

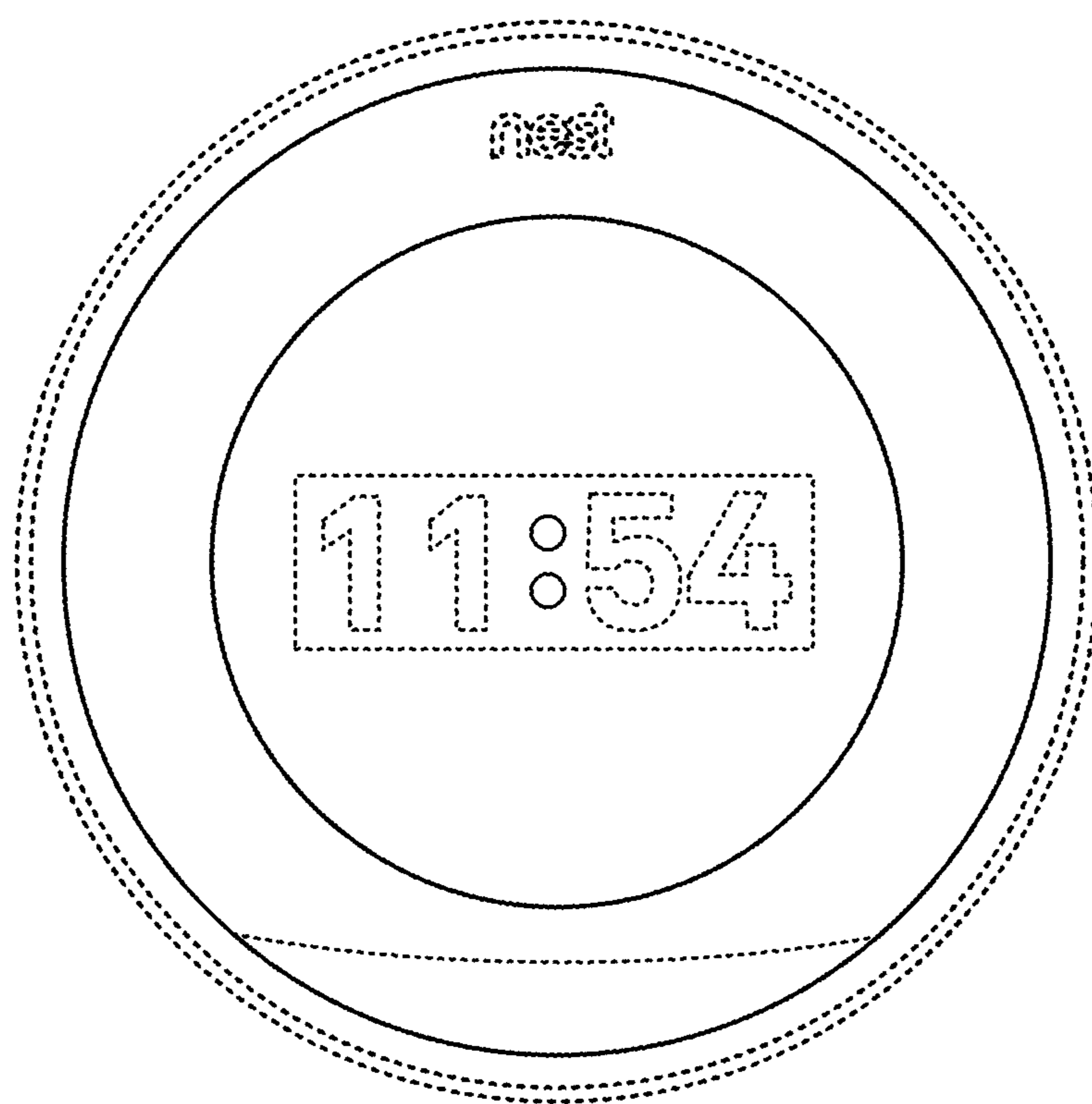


FIG. 2

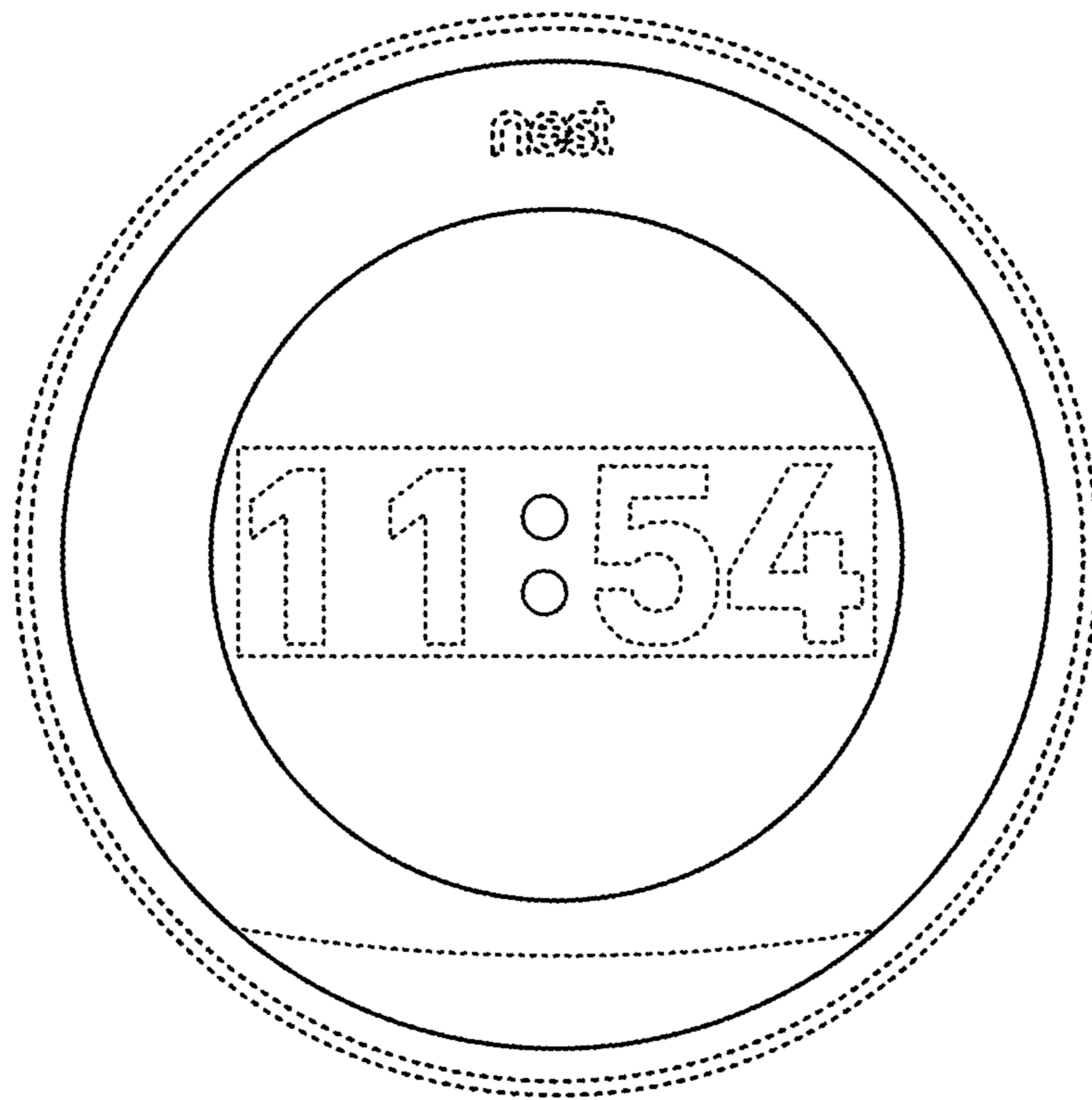


FIG. 3

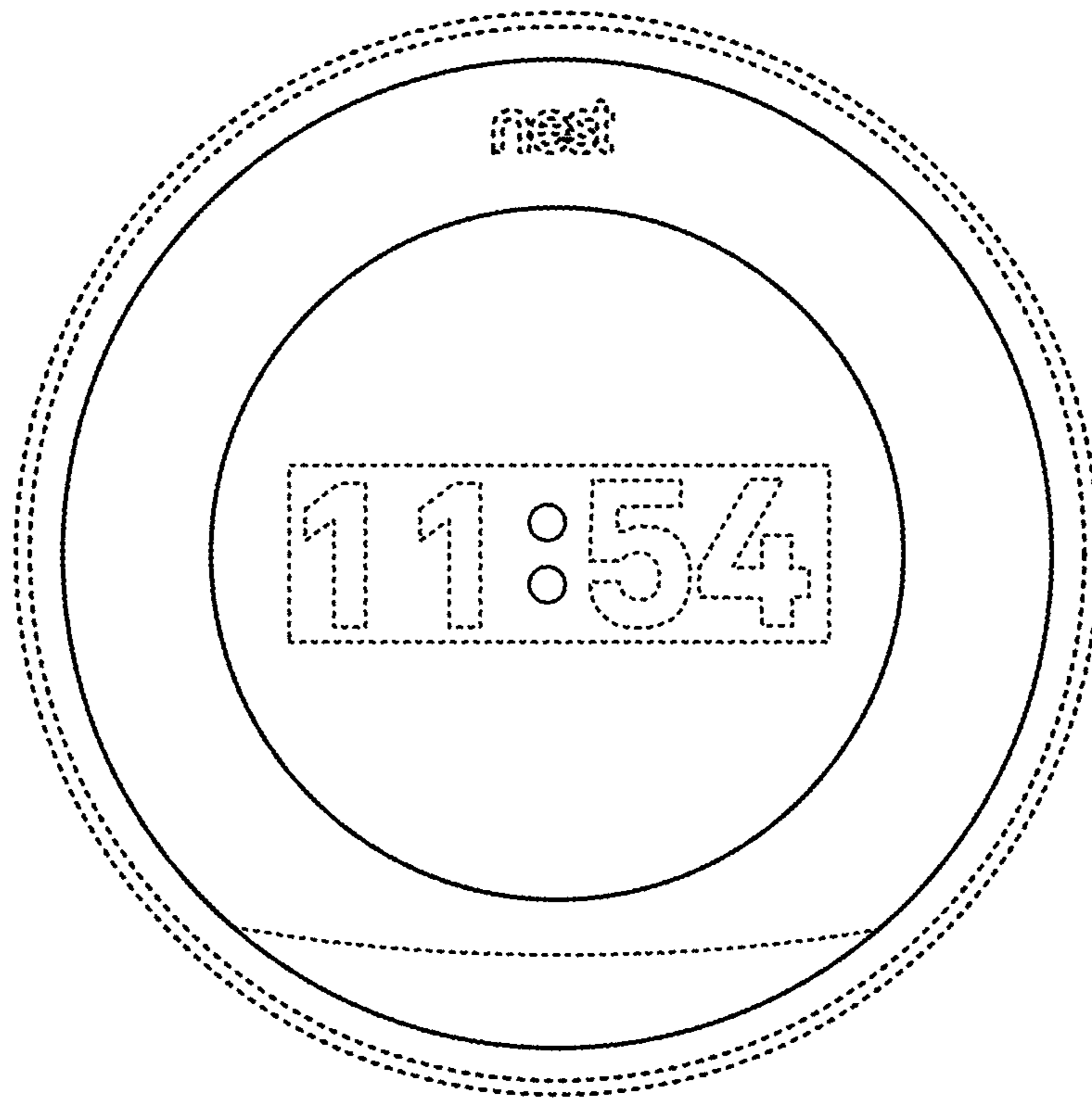


FIG. 4