



US00D788114S

(12) **United States Design Patent** (10) **Patent No.:** **US D788,114 S**  
**Sodt et al.** (45) **Date of Patent:** **\*\* May 30, 2017**

(54) **RISER**

(71) Applicant: **TARGET BRANDS, INC.**,  
Minneapolis, MN (US)  
(72) Inventors: **Christopher T. Sodt**, Plymouth, MN  
(US); **Kevin Robledo**, Minneapolis,  
MN (US); **Jeremy Berghoff**, Excelsior,  
MN (US)  
(73) Assignee: **TARGET BRANDS, INC.**,  
Minneapolis, MN (US)  
(\*\*) Term: **14 Years**

(21) Appl. No.: **29/507,743**  
(22) Filed: **Oct. 30, 2014**  
(51) **LOC (10) Cl.** ..... **08-07**  
(52) **U.S. Cl.**  
USPC ..... **D14/451**  
(58) **Field of Classification Search**  
USPC ..... D14/224, 239, 251, 253, 316, 375, 376,  
D14/432, 439, 447, 451, 452, 457;  
D6/396, 444, 449, 510, 511, 513, 655,  
D6/675, 675.1, 691.9; D34/38; D8/349,  
D8/355, 363, 373, 380; 108/51.3;  
248/121, 124.1, 127, 201, 205.1, 313,  
248/415, 917-24; 312/223.3; 211/134,  
211/151; D19/87  
CPC ..... G06F 3/0412; G06F 3/016; G06F 3/0488;  
G06F 3/011; G06F 3/038; G06F 3/03543;  
G06F 3/0338; G06F 3/0202; G06F  
3/0219; G06F 3/0213; G06F 1/1616;  
G06F 3/023;

(Continued)

(56) **References Cited**

**U.S. PATENT DOCUMENTS**

D180,288 S \* 5/1957 Gordon ..... D6/655  
D263,524 S \* 3/1982 Hanson ..... D6/691.1

(Continued)

**OTHER PUBLICATIONS**

“Computer Monitor Stand/TV Riser”, printed from [www.etsy.com/  
listing/195918531/computer-monitor-standtv...](http://www.etsy.com/listing/195918531/computer-monitor-standtv...)  
BEiQA2nLWm8yPR\_ajtk2lbR-  
lbxguagooN1OlbQM0Syd5dPCnAUUaAppe8P8HAQ, publicly  
available at least as early as Aug. 22, 2014 (5 pages).

(Continued)

*Primary Examiner* — Garth Rademaker

*Assistant Examiner* — Katie J Stofko

(74) *Attorney, Agent, or Firm* — JoAnn M. Seaton;  
Griffiths & Seaton PLLC

(57) **CLAIM**

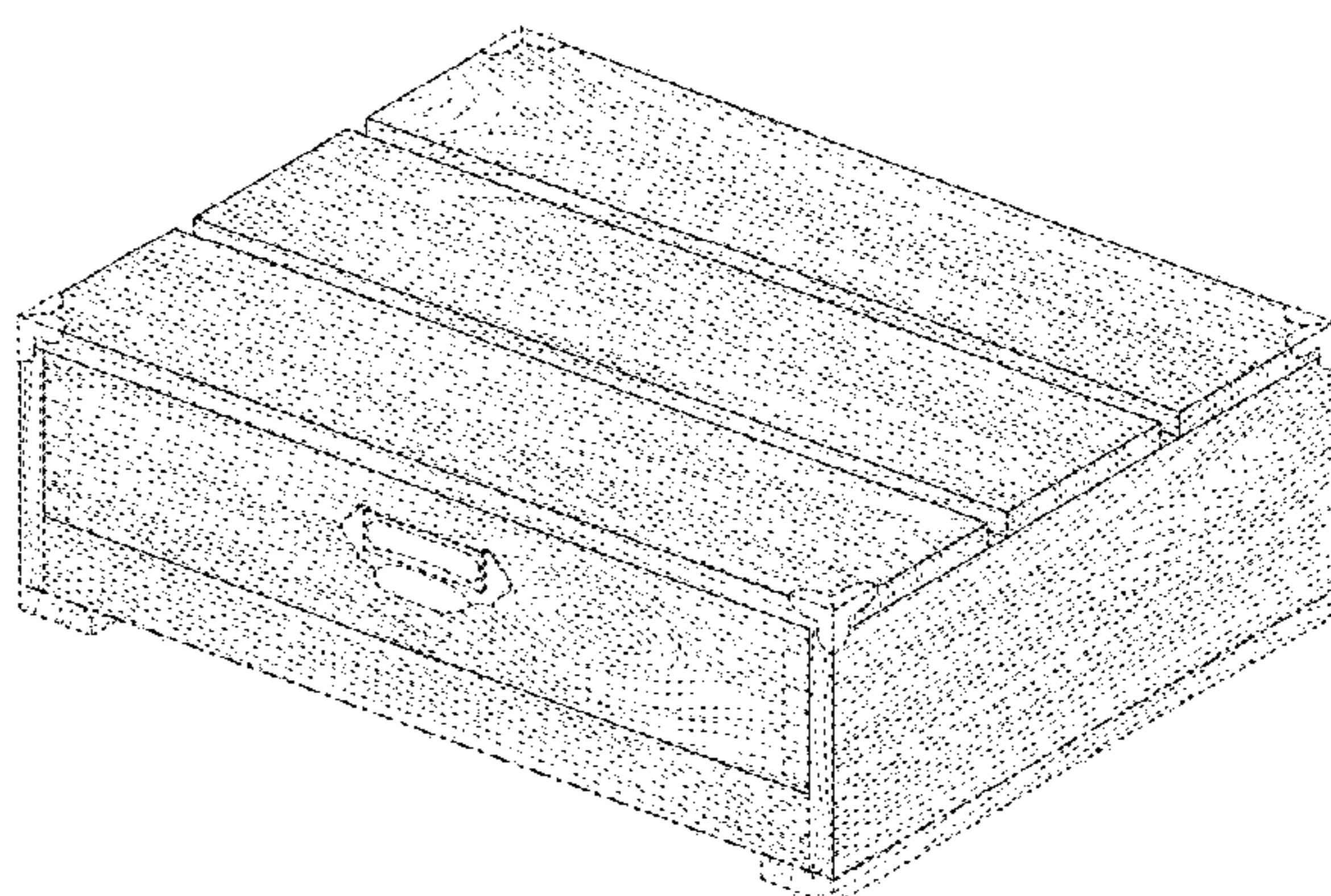
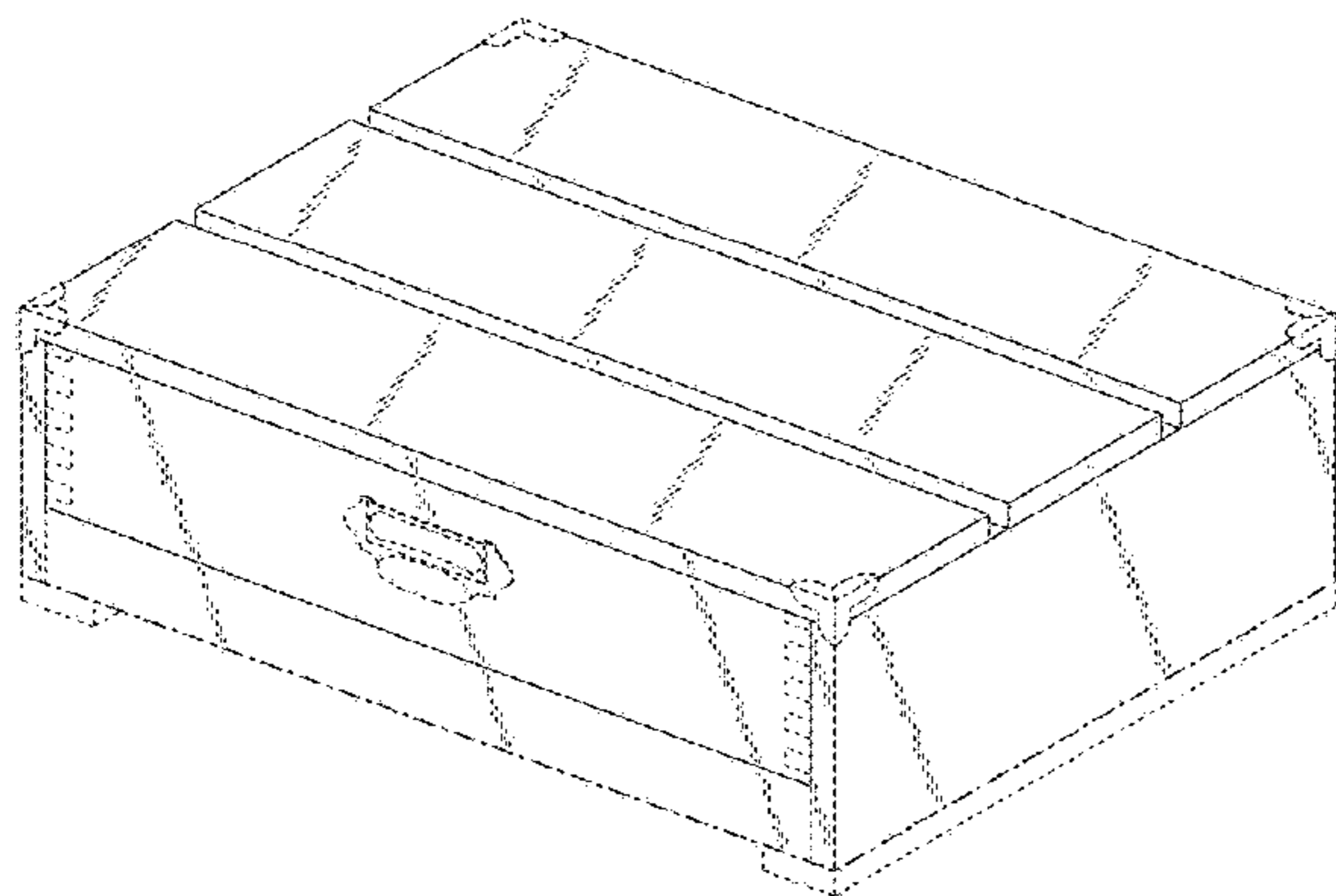
The ornamental design for a riser, as shown and described.

**DESCRIPTION**

FIG. 1 is a front, perspective view of a riser showing a first embodiment of our new design; FIG. 2 is a front view thereof; FIG. 3 is a rear view thereof; FIG. 4 is a right side view thereof, the left side view being a mirror image of the right side view; FIG. 5 is a top view thereof; and FIG. 6 is a bottom view thereof. FIG. 7 is a front, perspective view of the riser showing a second embodiment of our new design; FIG. 8 is a front view thereof; FIG. 9 is a rear view thereof; FIG. 10 is a right side view thereof, the left side view being a mirror image of the right side view; FIG. 11 is a top view thereof; and, FIG. 12 is a bottom view thereof.

The features shown in even-spaced broken lines are portions of the riser or, as shown in FIGS. 7-12, optional real wood grain or faux wood grain on surfaces of the riser forming no part of the claimed design. The features shown in long dash-short dash broken lines indicate the bounds of the claimed design that form no part thereof.

**1 Claim, 12 Drawing Sheets**



(58) **Field of Classification Search**

CPC ..... G06F 3/04883; G02F 1/13338; G09G  
3/3648

See application file for complete search history.

D684,801 S \* 6/2013 Elliott ..... D6/699  
D739,670 S \* 9/2015 Pedersen ..... D6/691.1  
D771,981 S \* 11/2016 Flaherty ..... D6/655

**OTHER PUBLICATIONS**

(56) **References Cited**

U.S. PATENT DOCUMENTS

D266,672 S	10/1982	Landin	
D287,678 S	1/1987	Hatcher et al.	
D306,226 S *	2/1990	Jirucha .....	D34/38
D314,211 S	1/1991	Bankier	
4,993,330 A *	2/1991	Yen .....	B65D 19/0095 108/56.1
D333,300 S	2/1993	Hatcher	
D516,842 S *	3/2006	Cross .....	D6/691.1
D557,266 S *	12/2007	Hughes .....	D14/451
D559,257 S *	1/2008	Hughes .....	D14/451
D563,961 S	3/2008	Hughes et al.	
D568,889 S *	5/2008	Hughes .....	D14/447
D583,524 S *	12/2008	Fling .....	D34/38
D679,065 S *	3/2013	Hershey .....	D34/38

“Computer Monitor Riser”, printed from <http://lumberjocks.com/projects/19721>, publicly available at least as early as Apr. 13, 2010, per <http://web.archive.org> (3 pages).

“PC Monitor Risers”, printed from [http://grovewoodcreations.com/products/pc\\_monitor\\_risers](http://grovewoodcreations.com/products/pc_monitor_risers), Aug. 2, 2009 (5 pages).

“Red Barn Wood Rustic Wedding Cake Stand—Buffet Stand—Grooms Cake Stand—Fall Wedding—Genuine Reclaimed Antique Oak”, printed from [www.etsy.com/listing/95050148/red-barn-wood-rustic-weddi...kBEiQA2nLWm3myOyZlF6isQzATtX\\_nuFUXCH45EfJJZVyjIMhGqTsaAhSI8P8HAQ](http://www.etsy.com/listing/95050148/red-barn-wood-rustic-weddi...kBEiQA2nLWm3myOyZlF6isQzATtX_nuFUXCH45EfJJZVyjIMhGqTsaAhSI8P8HAQ), publicly available at least as early as Aug. 18, 2014 (7 pages).

“Victor® Wood Monitor Riser, Mocha Brown”, printed from [www.staples.com/Victor-Wood-Monitor-Riser-Mocha-Brown/product\\_965081](http://www.staples.com/Victor-Wood-Monitor-Riser-Mocha-Brown/product_965081), publicly available at least as early as Aug. 27, 2014 (3 pages).

“Wooden Pallet Laptop Riser”, printed from <http://101pallets.com/pallet-daybed/wooden-pallet-laptop-riser/>, Mar. 9, 2014 (11 pages).

\* cited by examiner

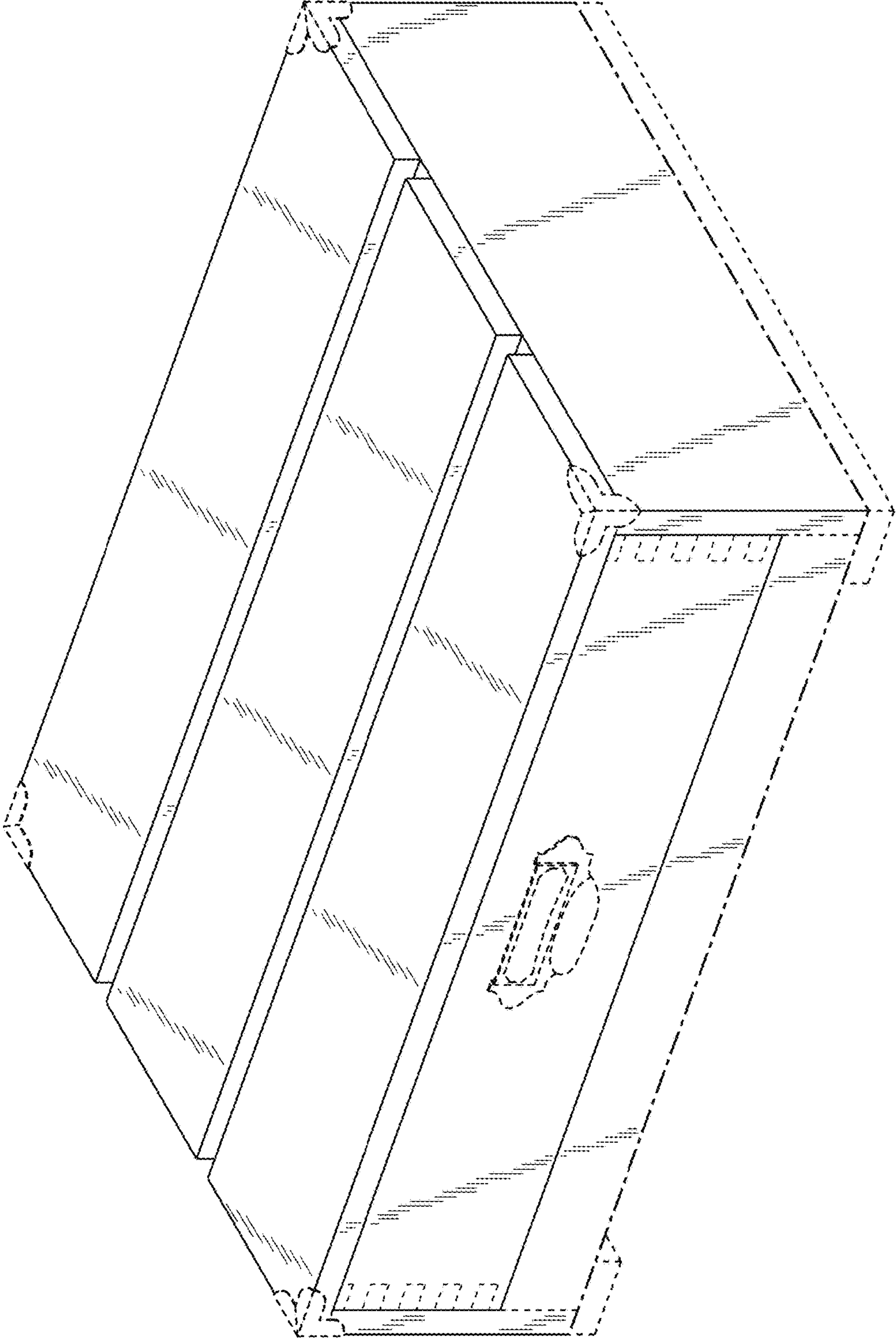


FIG. 1

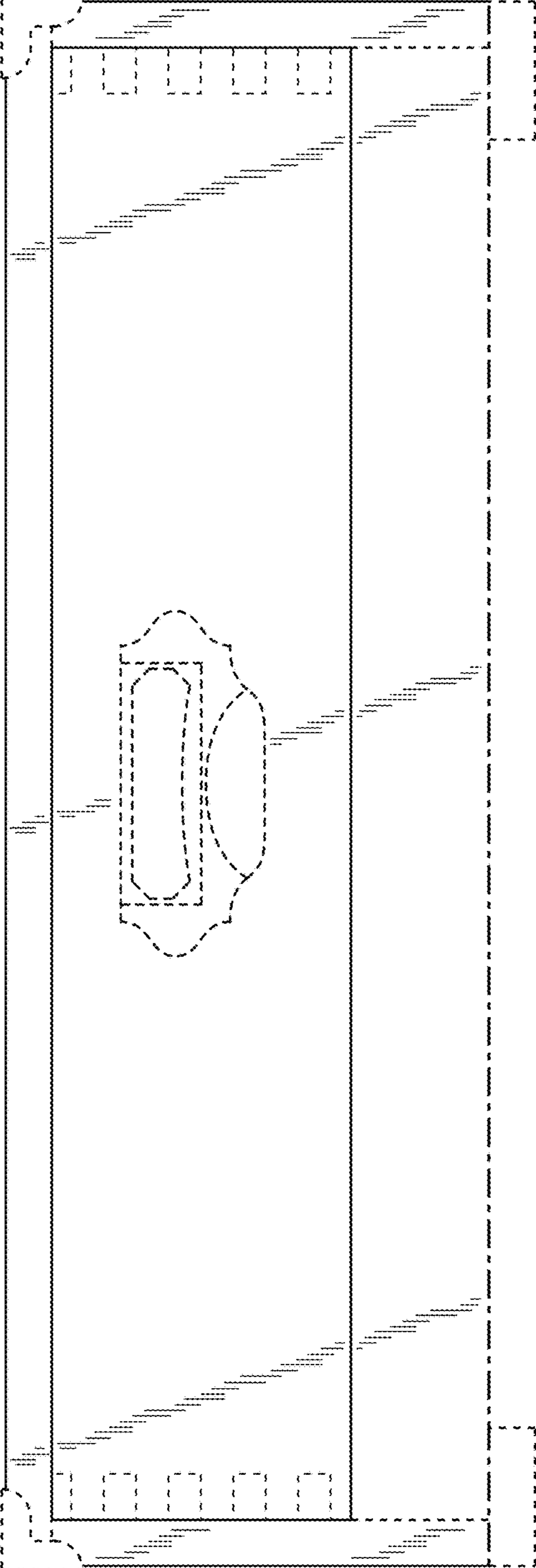


FIG. 2

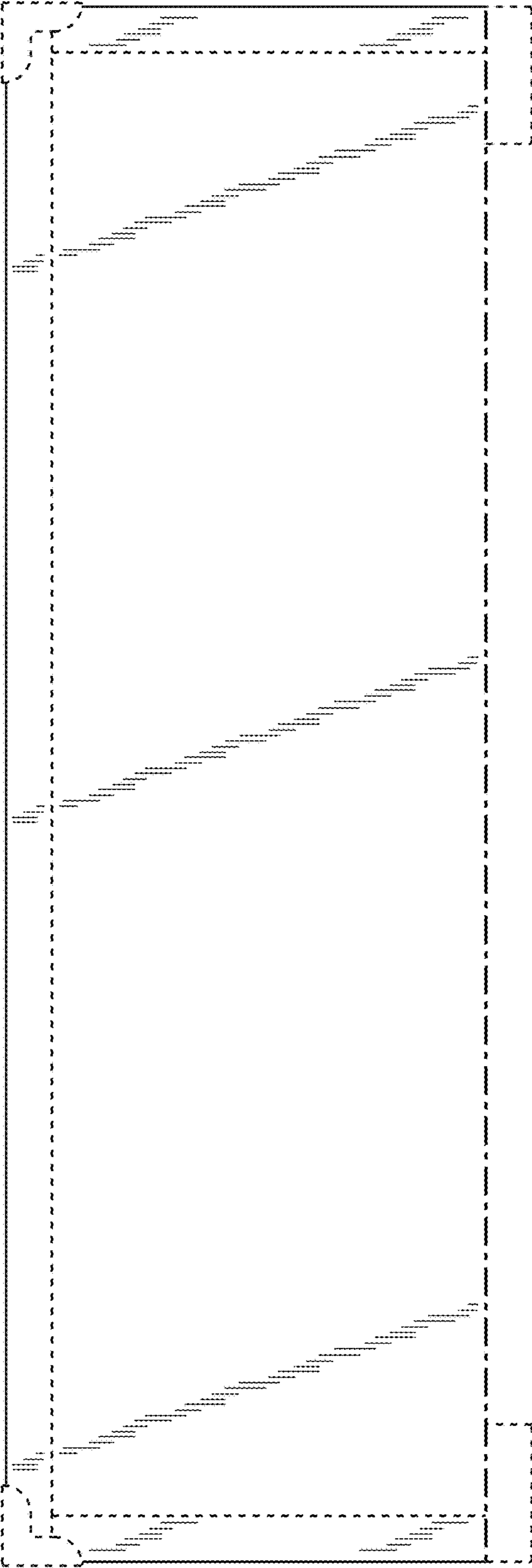


FIG. 3

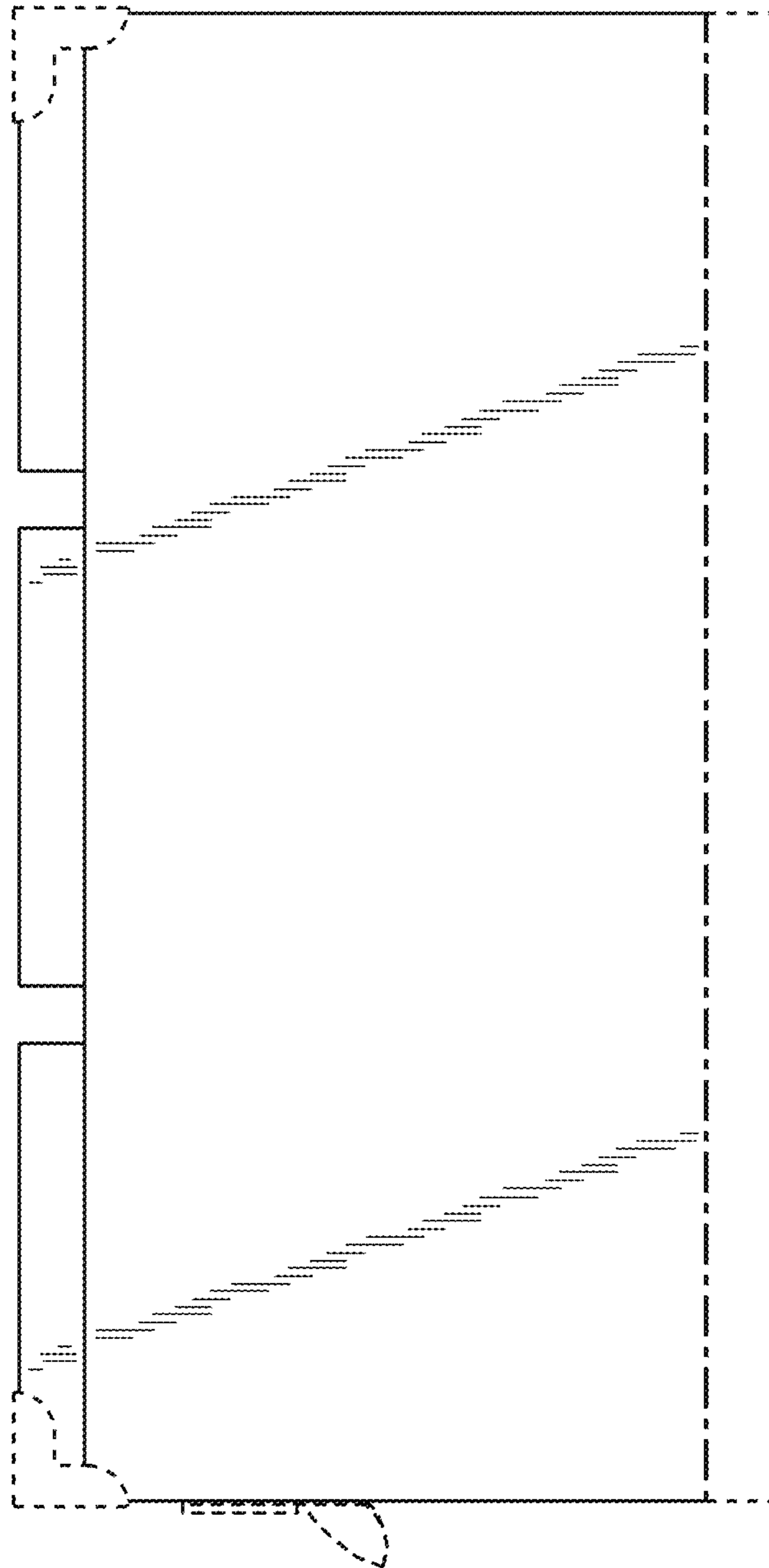


FIG. 4

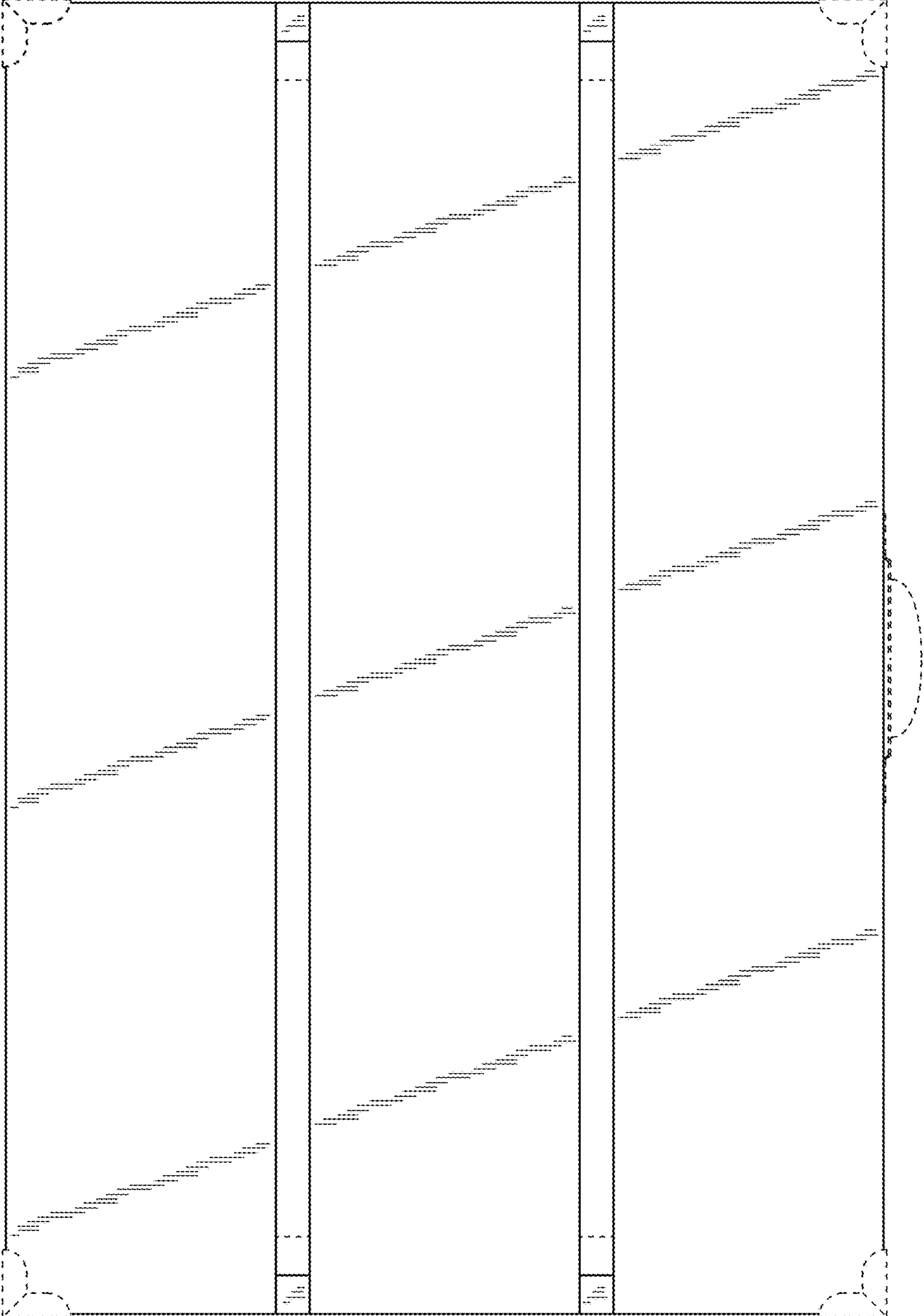


FIG. 5

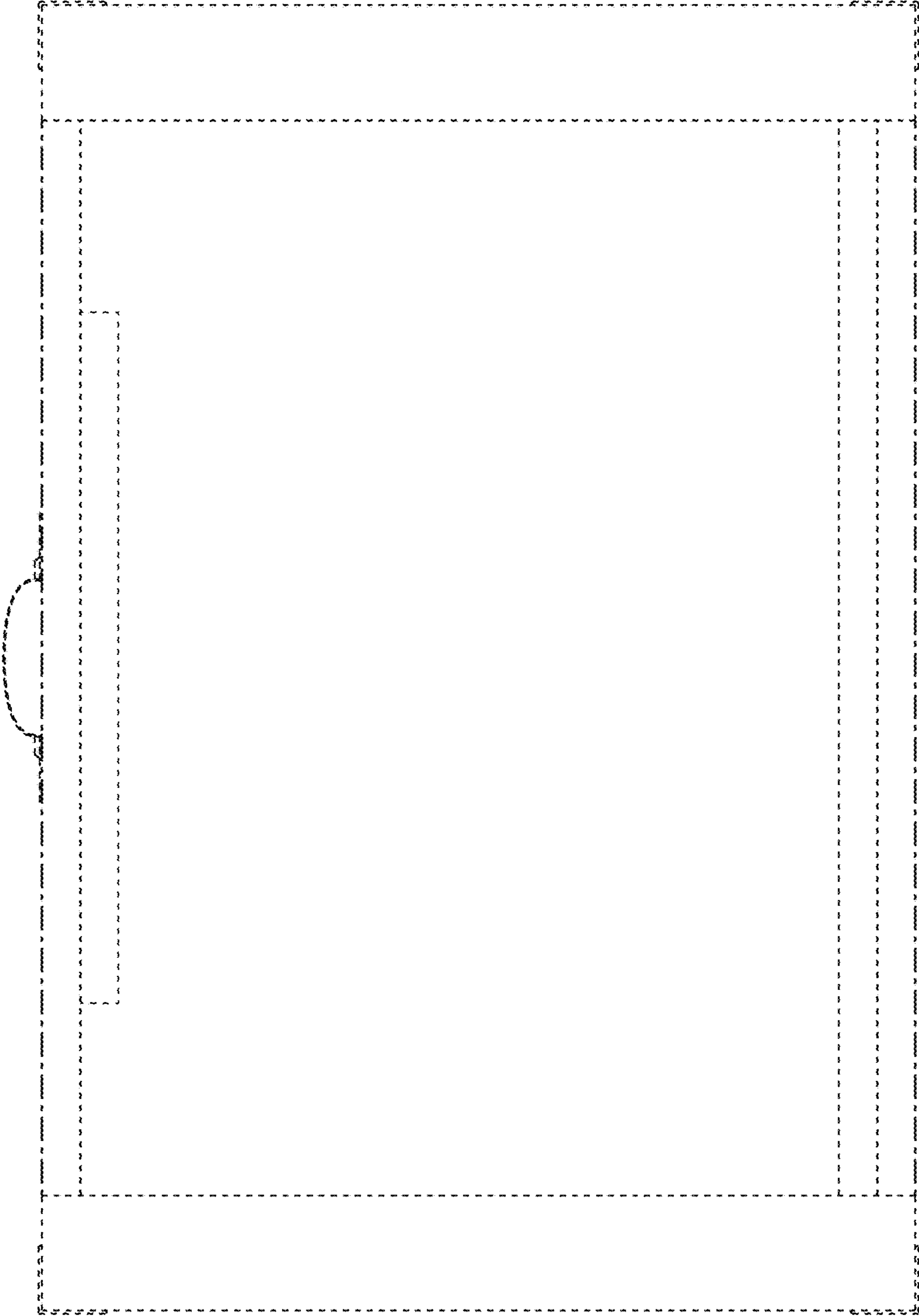


FIG. 6



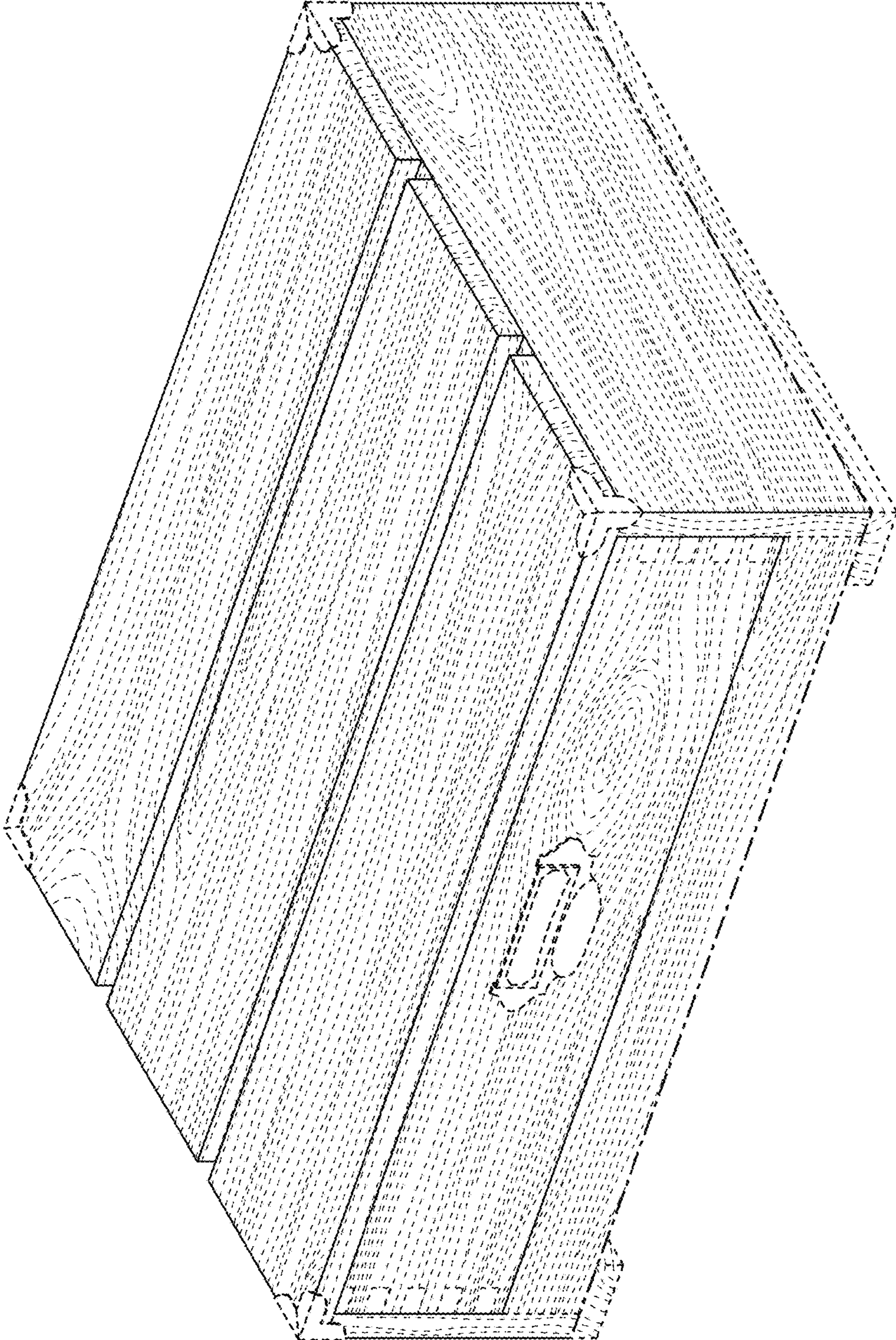


FIG. 7

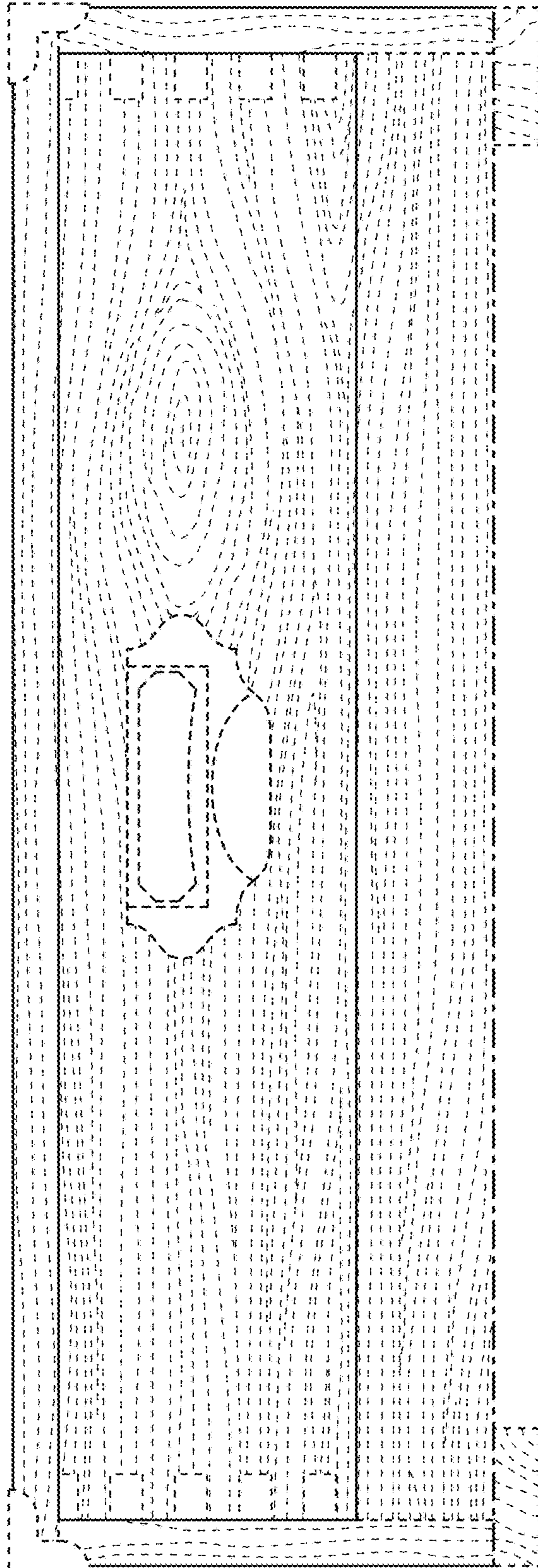


FIG. 8

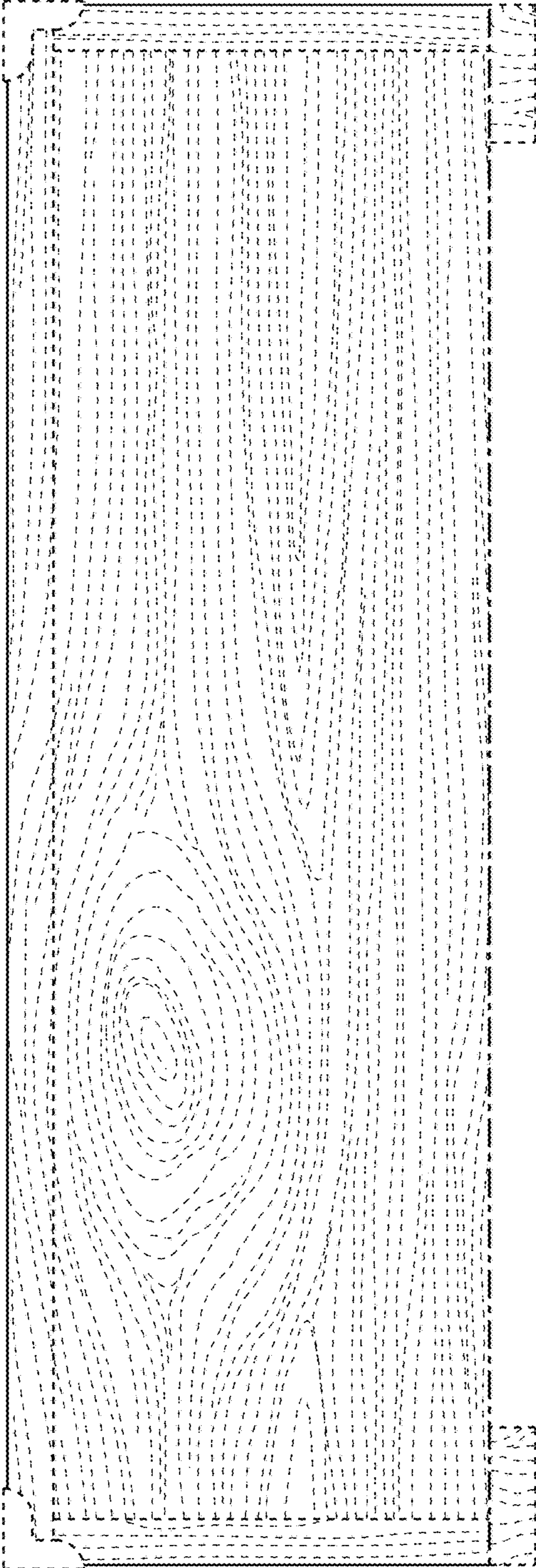


FIG. 9

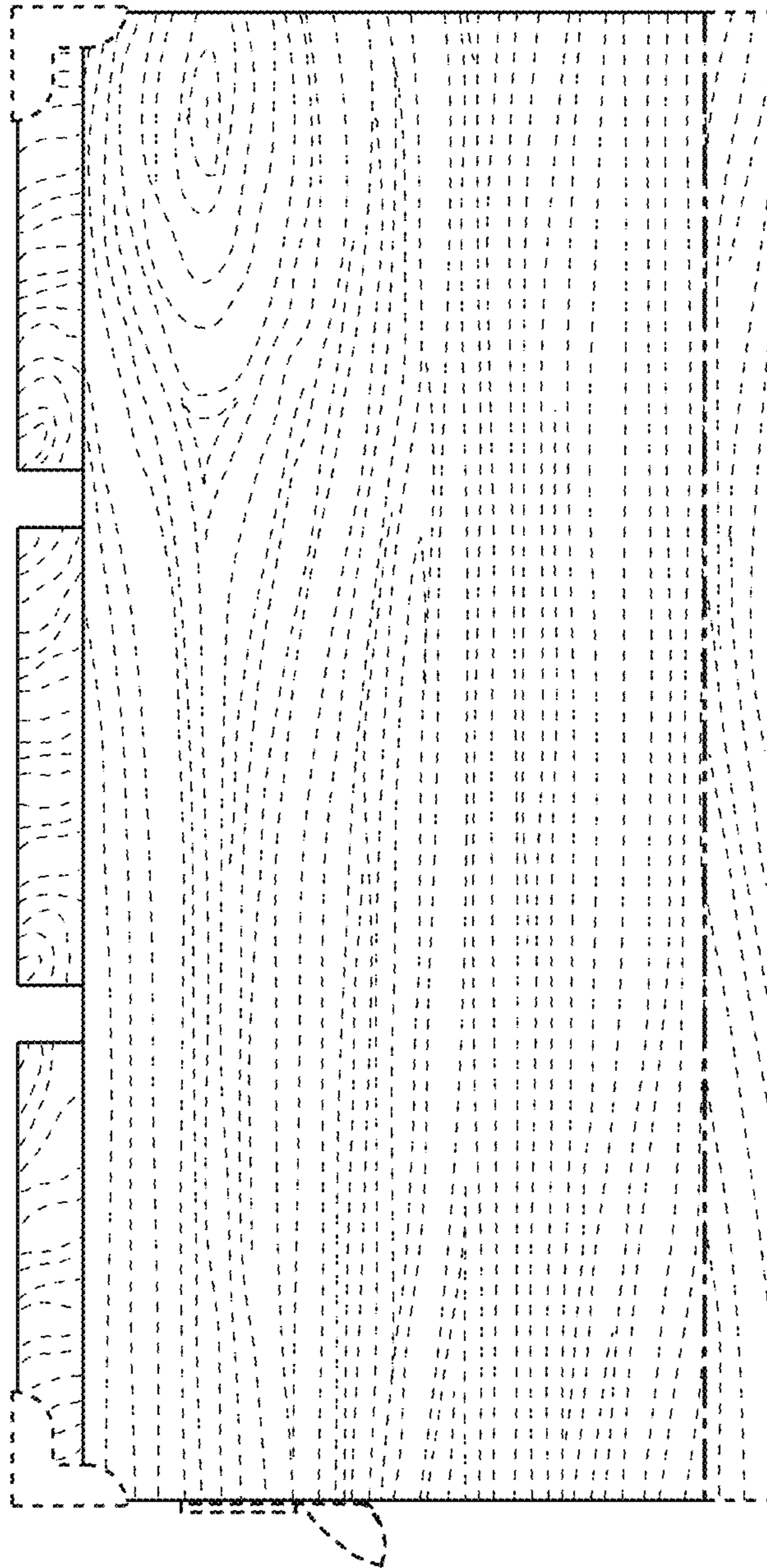


FIG. 10

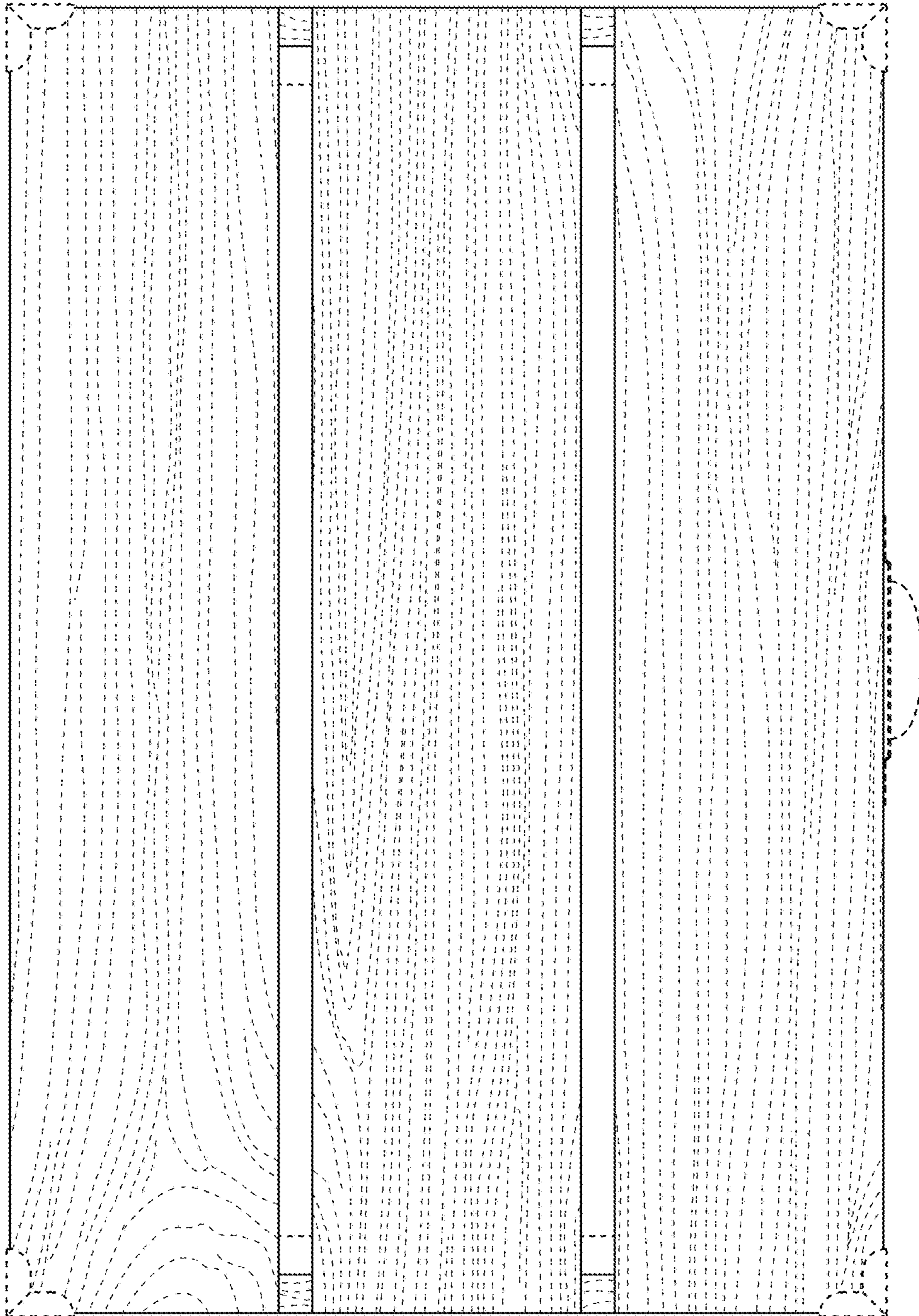


FIG. 11

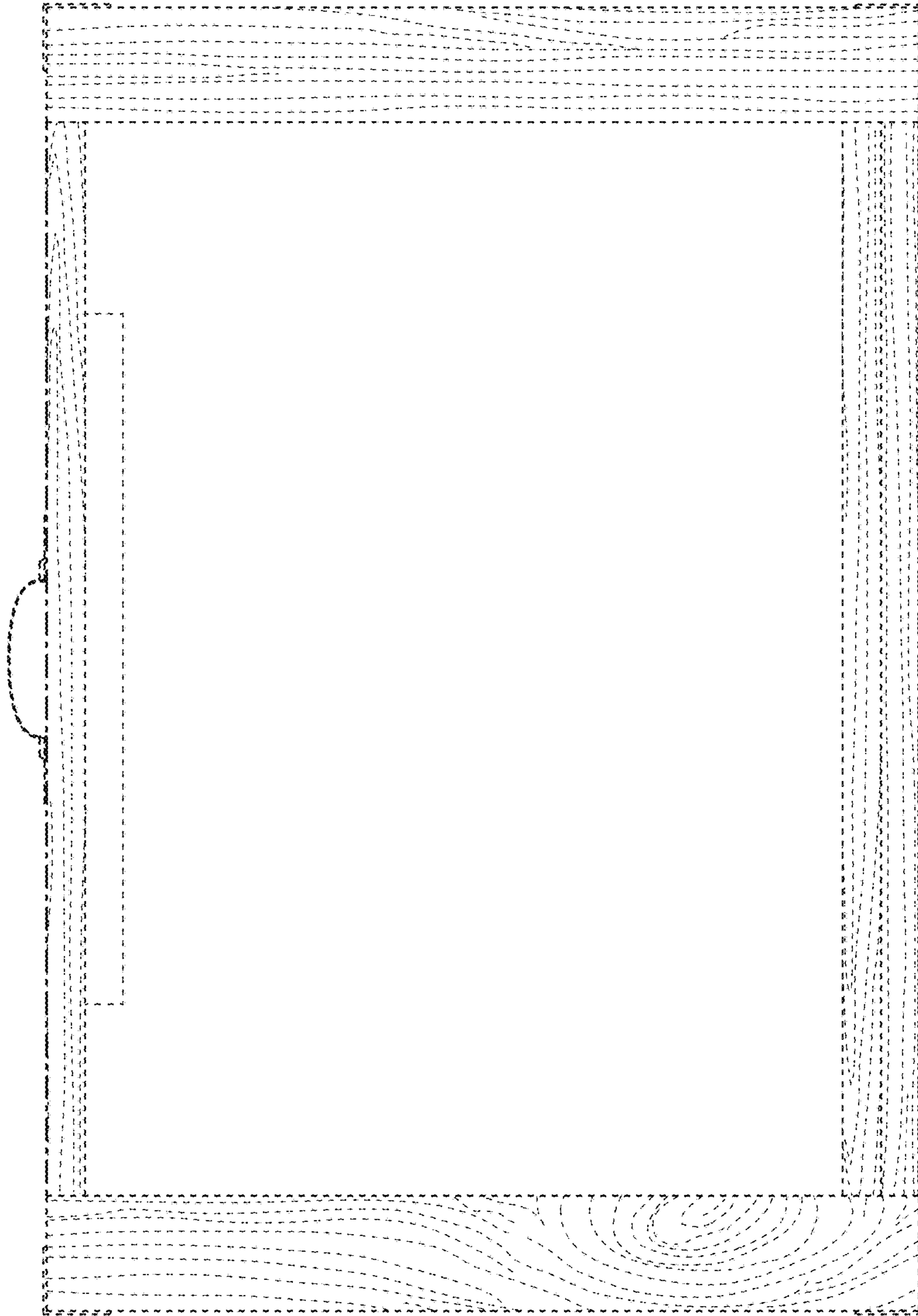


FIG. 12