



US00D788112S

(12) **United States Design Patent**
Liao

(10) **Patent No.:** **US D788,112 S**

(45) **Date of Patent:** **** May 30, 2017**

(54) **MULTI-FUNCTION CONVERTER**
(71) Applicant: **Zhuowen Liao**, Shenzhen (CN)
(72) Inventor: **Zhuowen Liao**, Shenzhen (CN)

CPC H01R 25/006; H01R 27/02; H01R 31/005;
G06F 13/4022; G06F 13/382; G06F
1/1632; G06F 1/1684; G06F 1/20; G06F
1/1607

See application file for complete search history.

(**) Term: **15 Years**
(21) Appl. No.: **29/565,117**
(22) Filed: **May 18, 2016**

Primary Examiner — Austin Murphy
(74) *Attorney, Agent, or Firm* — Roger H. Chu

(30) **Foreign Application Priority Data**

Apr. 28, 2016 (CN) 2016 3 0149651

(51) **LOC (10) Cl.** **14-02**

(52) **U.S. Cl.**
USPC **D14/433**

(58) **Field of Classification Search**
USPC D14/240, 242, 356, 358, 363, 365, 367,
D14/370, 432-437, 439, 498, 125, 366,
D14/168, 496; D13/147, 164, 123, 133,
D13/146, 110, 199, 103, 162, 159, 160,
D13/184; 361/683, 684, 686, 724, 735,
361/737, 752; D18/40

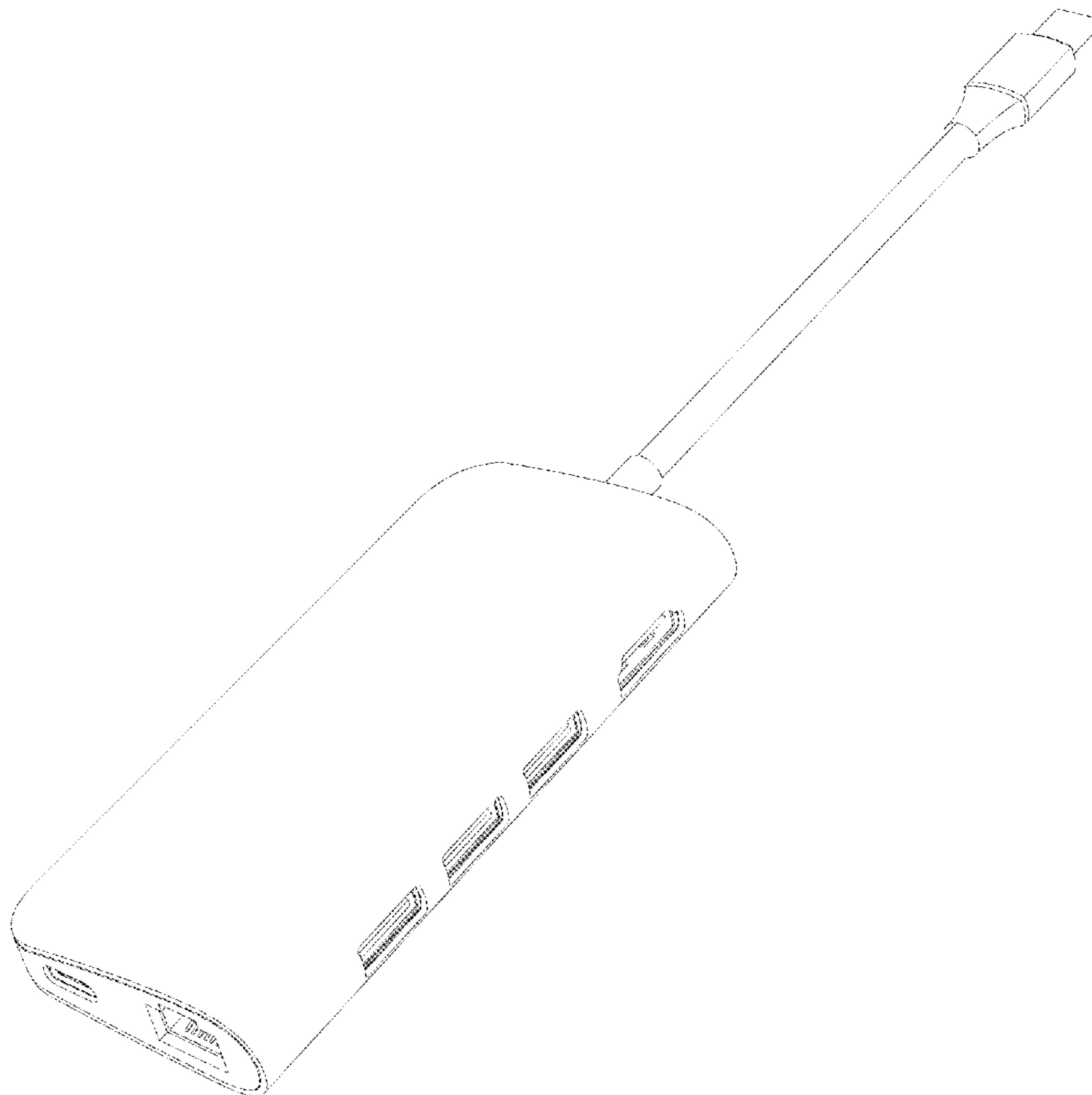
(57) **CLAIM**

The ornamental design of a multi-function converter, as shown and described.

DESCRIPTION

FIG. 1 is a top view of a multi-function converter showing my design;
FIG. 2 is a left side view thereof;
FIG. 3 is a right side view thereof;
FIG. 4 is a bottom view thereof;
FIG. 5 is a front view thereof;
FIG. 6 is a rear view thereof;
FIG. 7 is a top, right and rear perspective view thereof; and,
FIG. 8 is a bottom, left and front perspective view thereof.

1 Claim, 8 Drawing Sheets



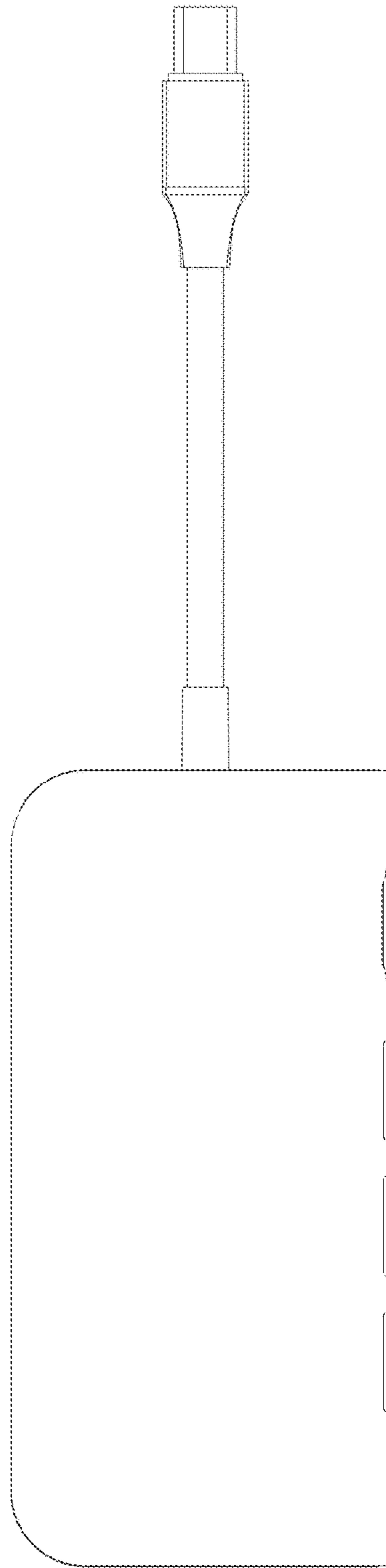


Fig 1

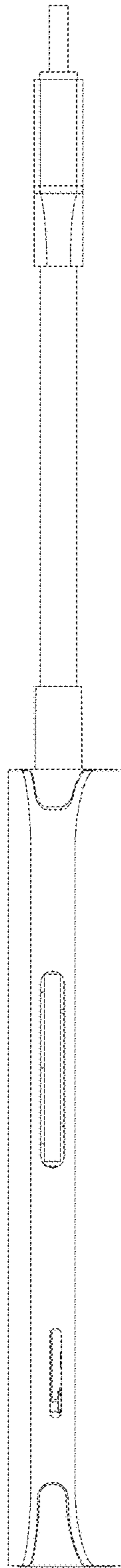


Fig 2

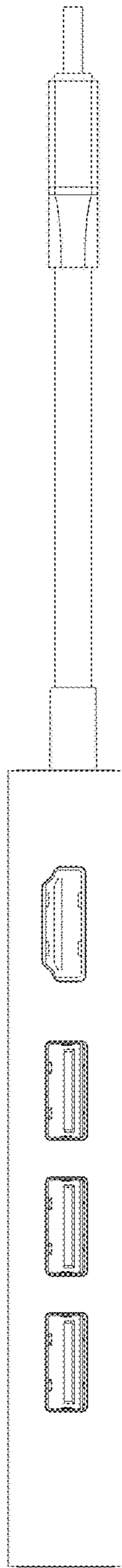


Fig 3

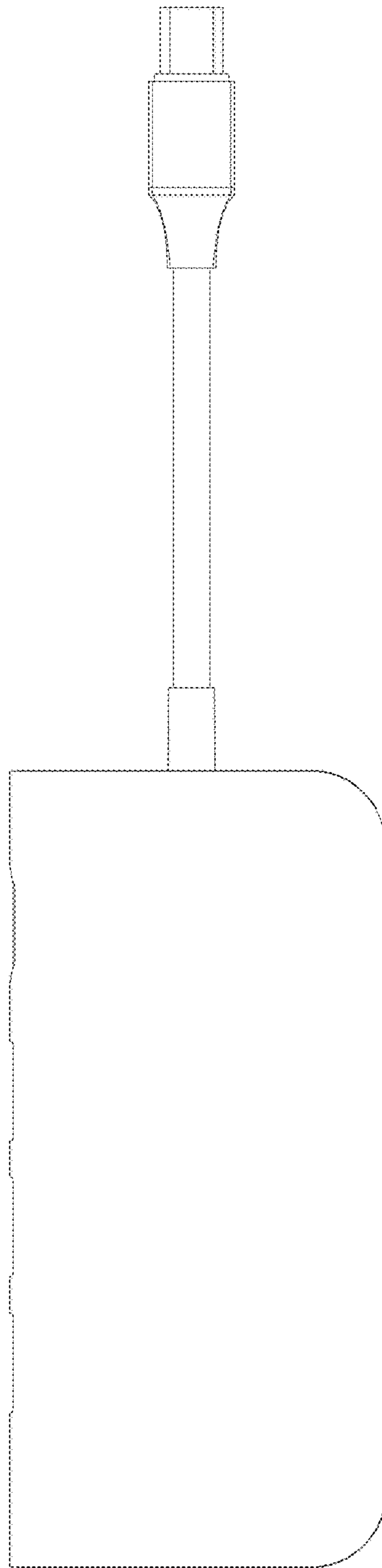


Fig 4

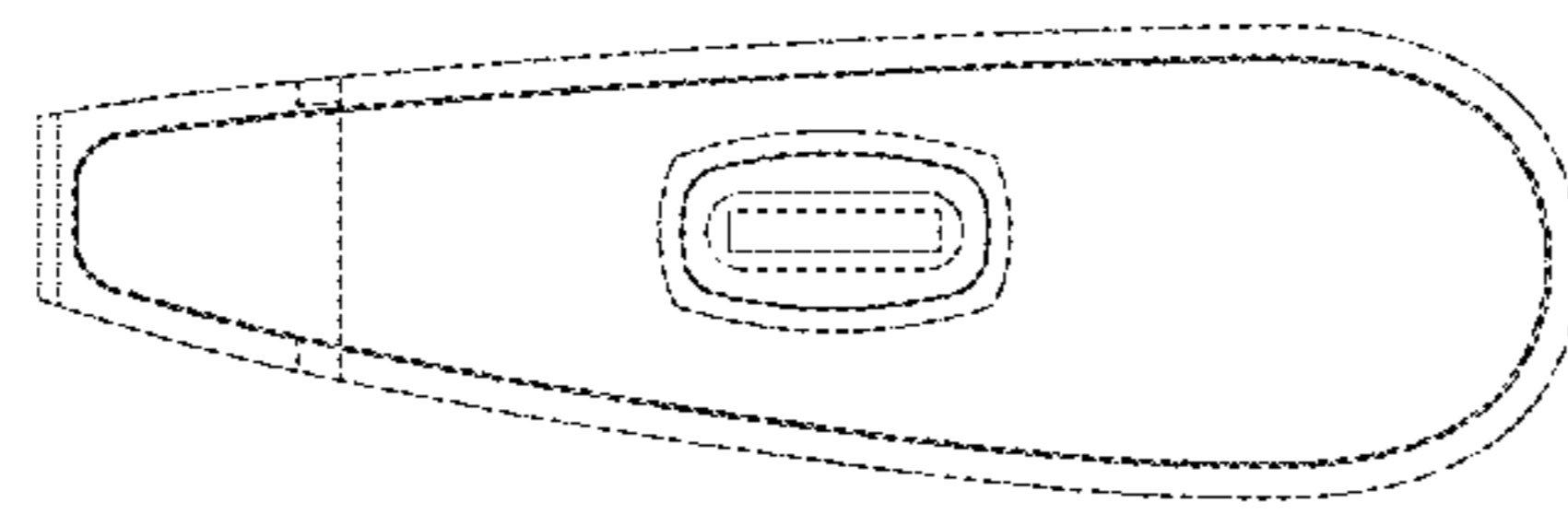


Fig 5

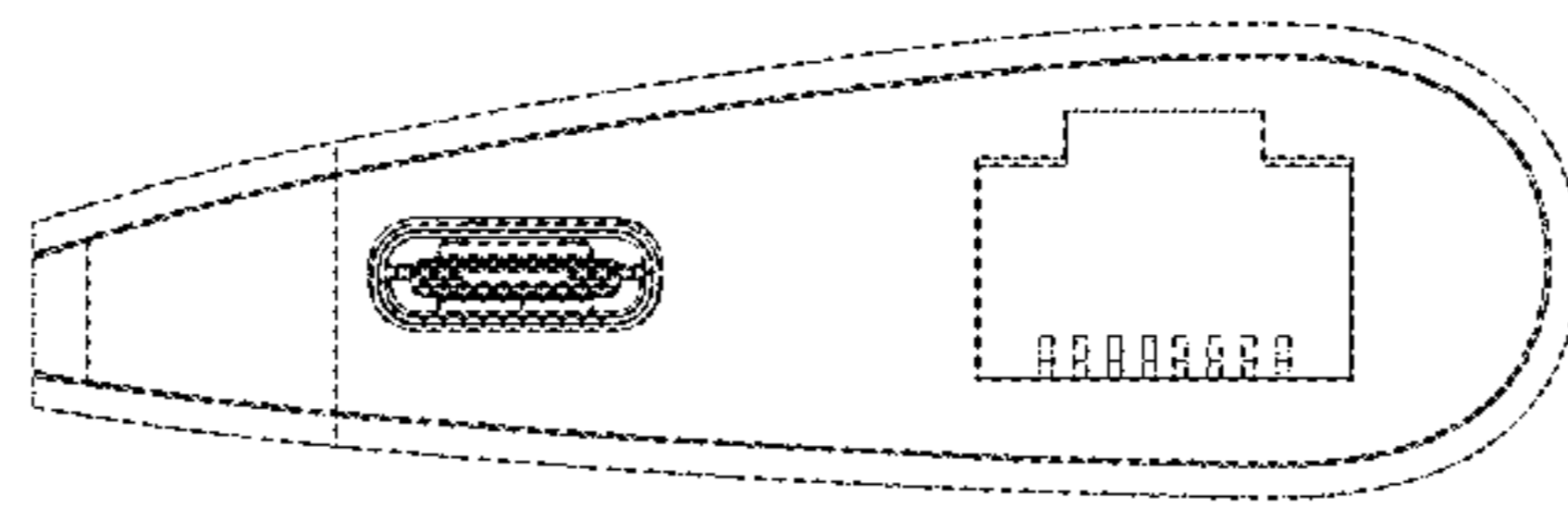


Fig 6

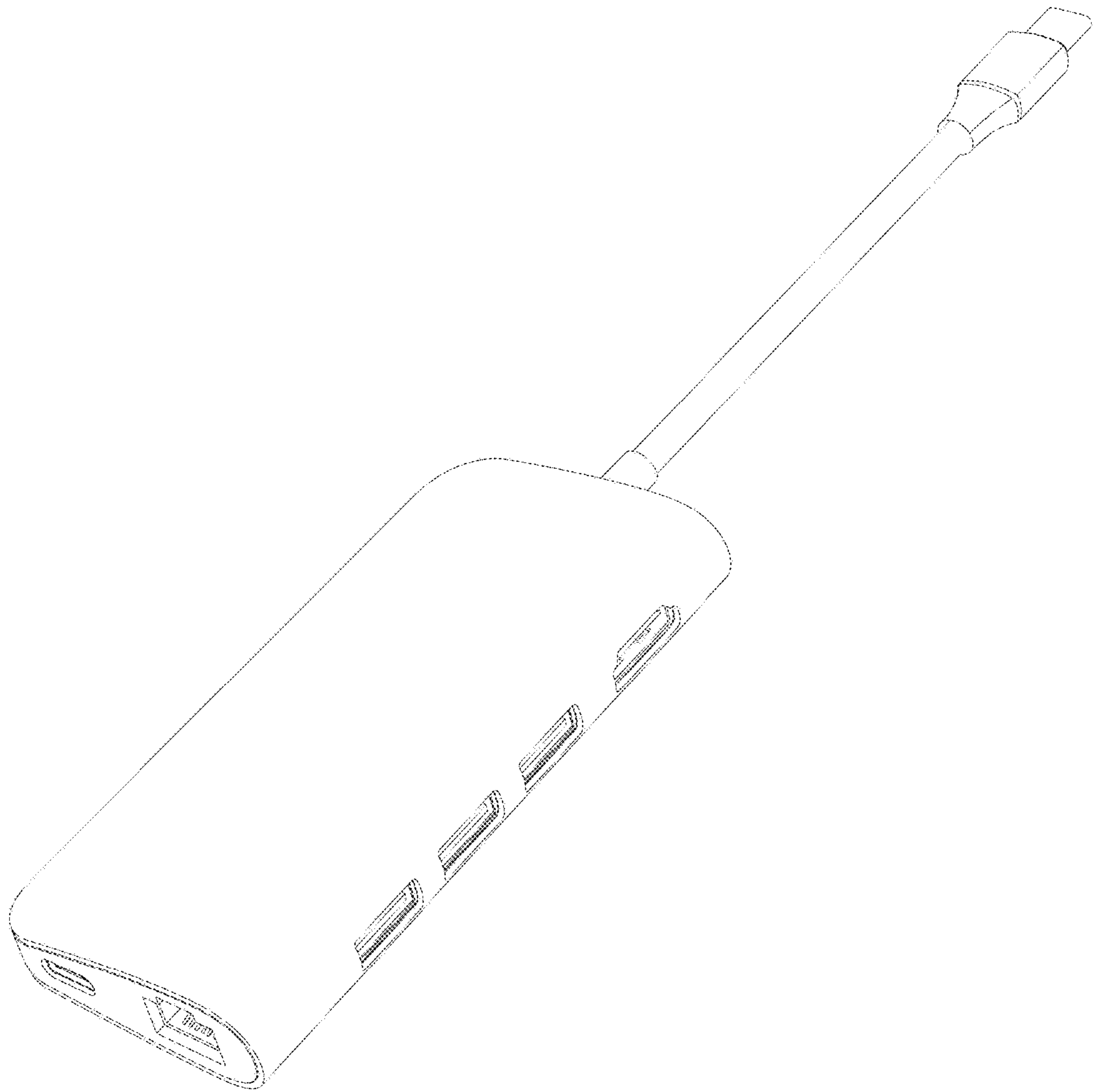


Fig 7

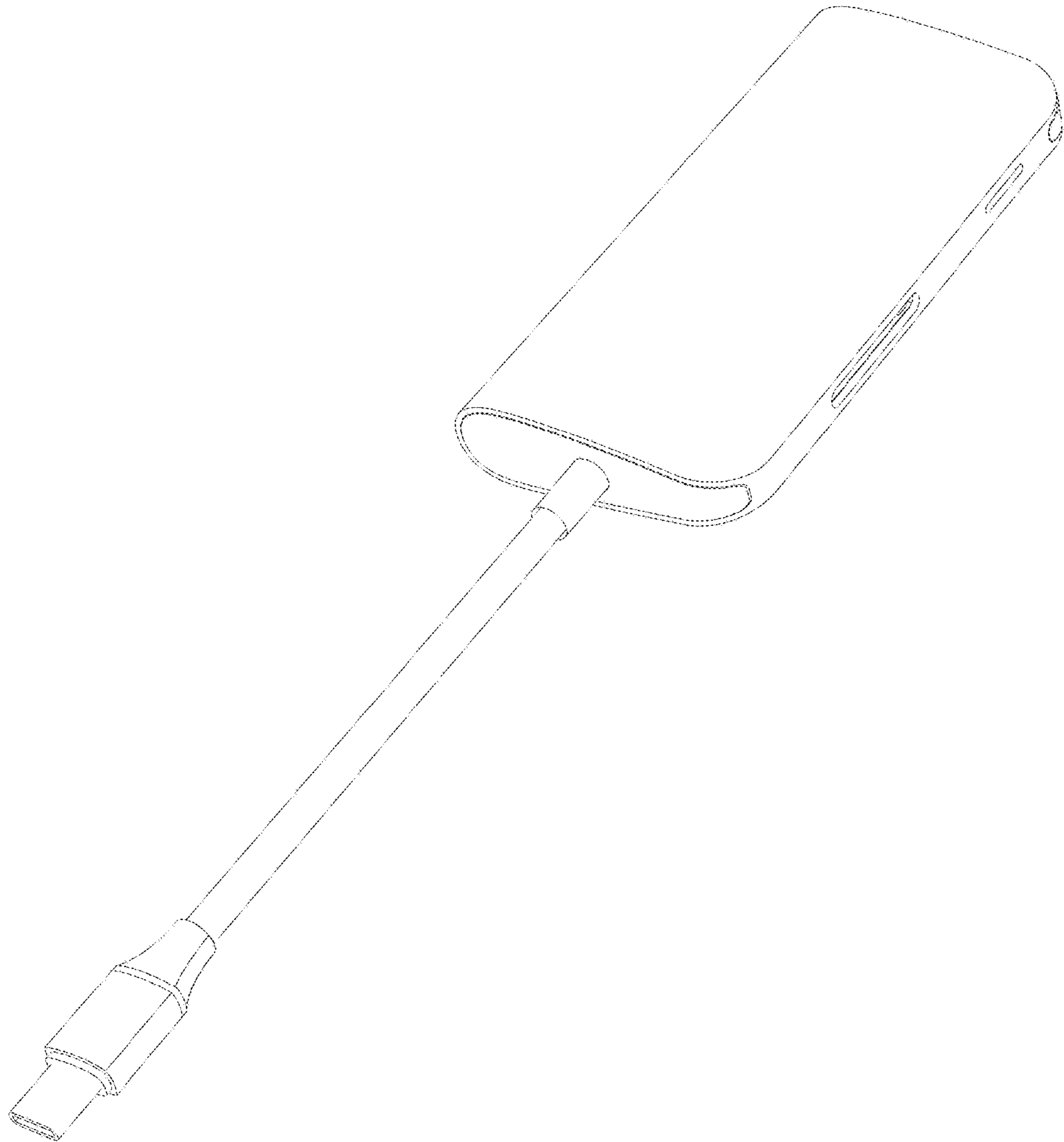


Fig 8