



US00D788111S

(12) **United States Design Patent** (10) **Patent No.:** **US D788,111 S**
Ji et al. (45) **Date of Patent:** **** May 30, 2017**

(54) **RADIO FREQUENCY CONNECTOR**

(56) **References Cited**

(71) Applicants: **NANNING FUGUI PRECISION INDUSTRIAL CO., LTD.**, Nanning (CN); **HON HAI PRECISION INDUSTRY CO., LTD.**, New Taipei (TW)

(72) Inventors: **Yan-Juan Ji**, Shenzhen (CN); **Wei-Min Chang**, New Taipei (TW)

(73) Assignees: **NANNING FUGUI PRECISION INDUSTRIAL CO., LTD.**, Nanning (CN); **HON HAI PRECISION INDUSTRY CO., LTD.**, New Taipei (TW)

(**) Term: **15 Years**

(21) Appl. No.: **29/554,712**

(22) Filed: **Feb. 15, 2016**

(30) **Foreign Application Priority Data**

Sep. 29, 2015 (CN) 201530376307

(51) **LOC (10) Cl.** **14-02**

(52) **U.S. Cl.**
USPC **D14/433**

(58) **Field of Classification Search**
USPC D14/356, 432-434, 453, 454, 511, 203.8, D14/209.1, 238.1, 240, 125; 439/638, 439/928, 105, 502; 710/303, 304; 361/679.41, 679.55, 679.56; D13/110, D13/133, 146

CPC G06Q 20/202; G06Q 20/322; G06Q 20/32; G06Q 20/20; G06Q 20/327

See application file for complete search history.

U.S. PATENT DOCUMENTS

D531,579 S *	11/2006	Peng	D13/147
D604,725 S *	11/2009	Chen	D13/184
D624,548 S *	9/2010	Yamamoto	D14/433
D627,784 S *	11/2010	Yamamoto	D14/433
D653,213 S *	1/2012	Andre	D13/138.1
D753,661 S *	4/2016	Daniel	D14/433
D759,016 S *	6/2016	Zaslavsky	D14/433
D765,082 S *	8/2016	Allen, Sr.	D14/433
D769,877 S *	10/2016	Akana	D14/433
D772,878 S *	11/2016	Chiang	D14/433

* cited by examiner

Primary Examiner — Austin Murphy

(74) *Attorney, Agent, or Firm* — Steven Reiss

(57) **CLAIM**

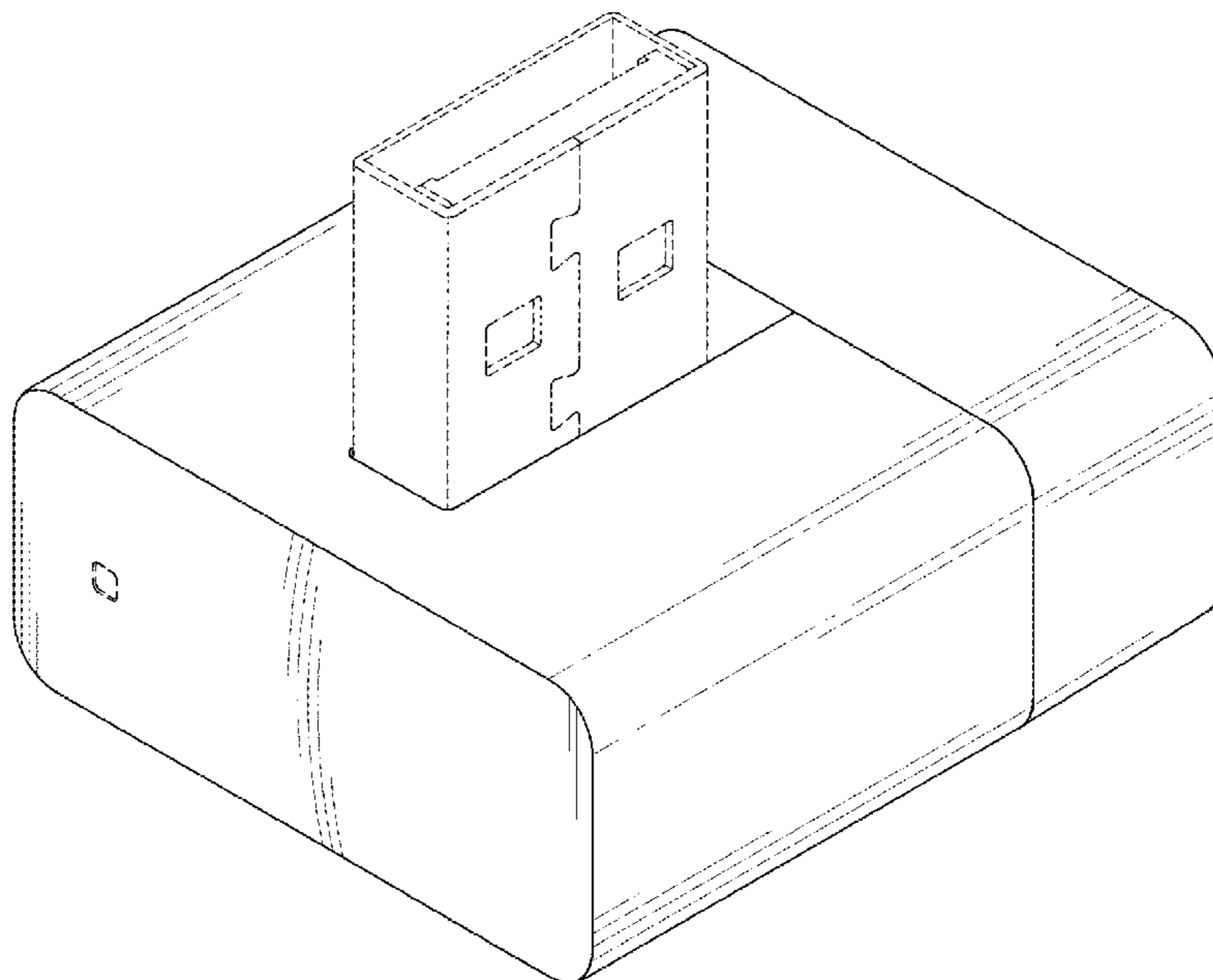
The ornamental design for a radio frequency connector, as shown and described.

DESCRIPTION

FIG. 1 is a perspective view of a radio frequency connector; FIG. 2 is a front elevational view thereof; FIG. 3 is a rear elevational view thereof; FIG. 4 is a left side elevational view thereof; FIG. 5 is a right side elevational view thereof; FIG. 6 is a top plan view thereof; and, FIG. 7 is a bottom plan view thereof.

The broken lines in the drawings are used to illustrate environmental structures, and form no part of the claimed design.

1 Claim, 7 Drawing Sheets



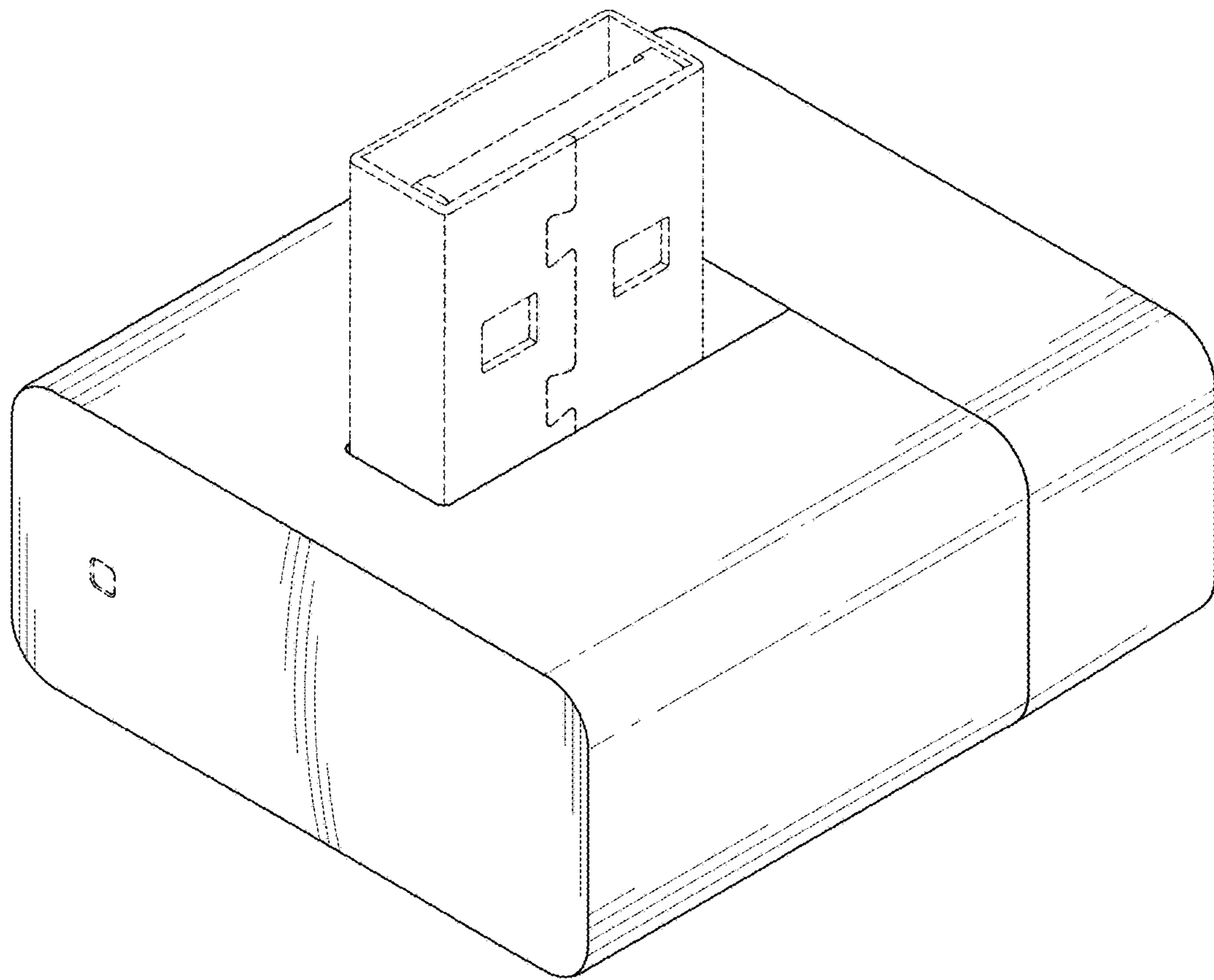


FIG. 1

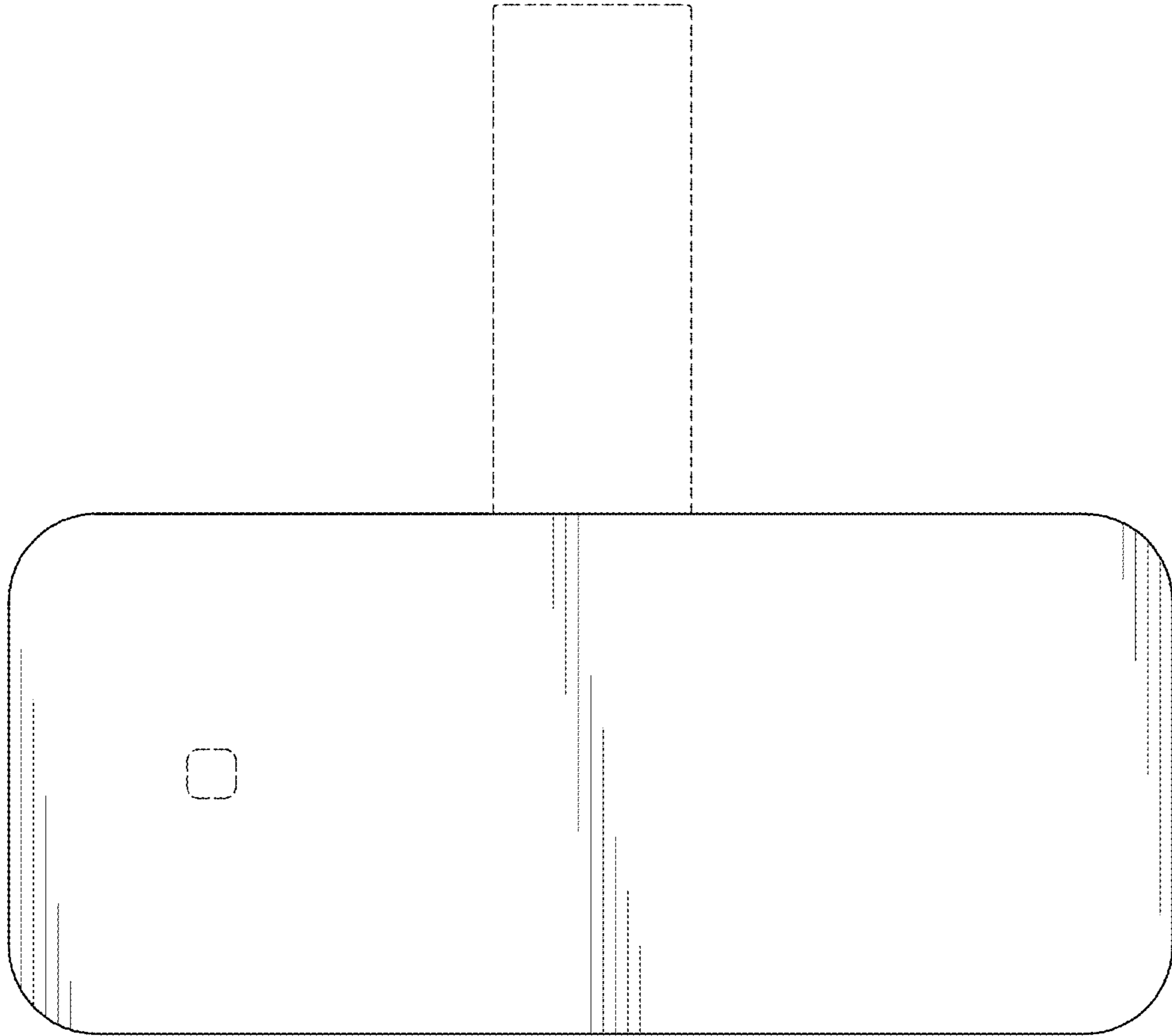


FIG. 2

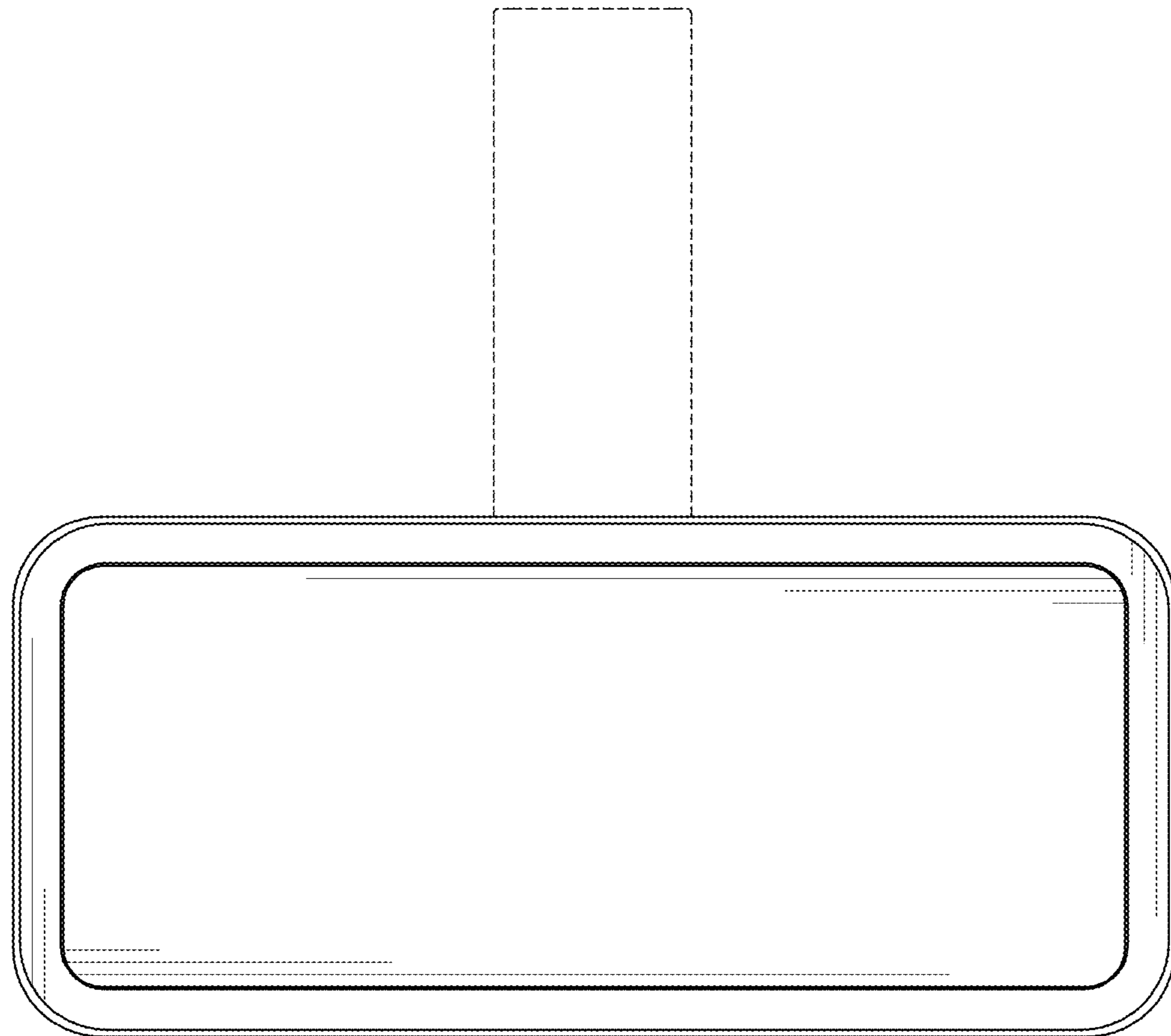


FIG. 3

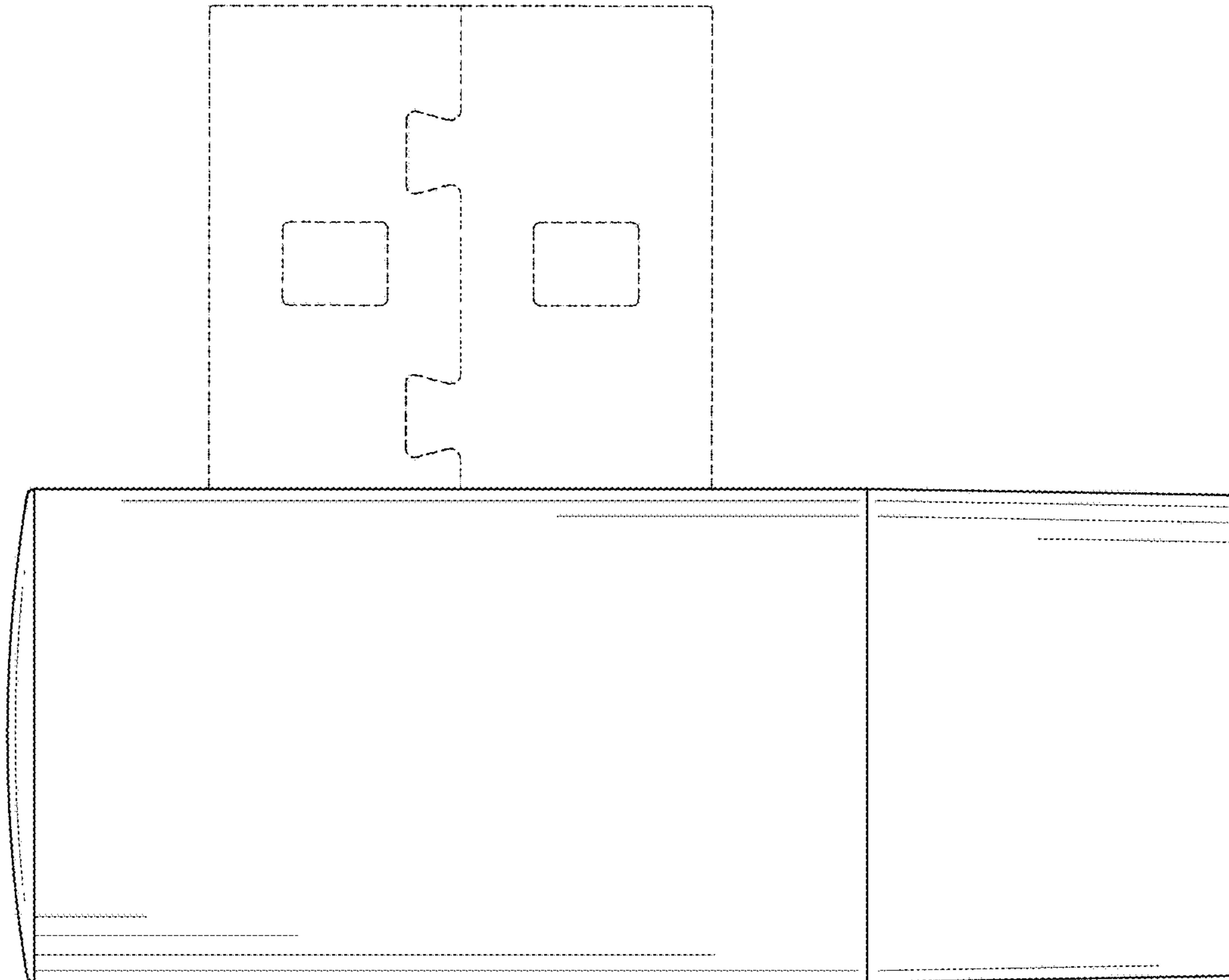


FIG. 4

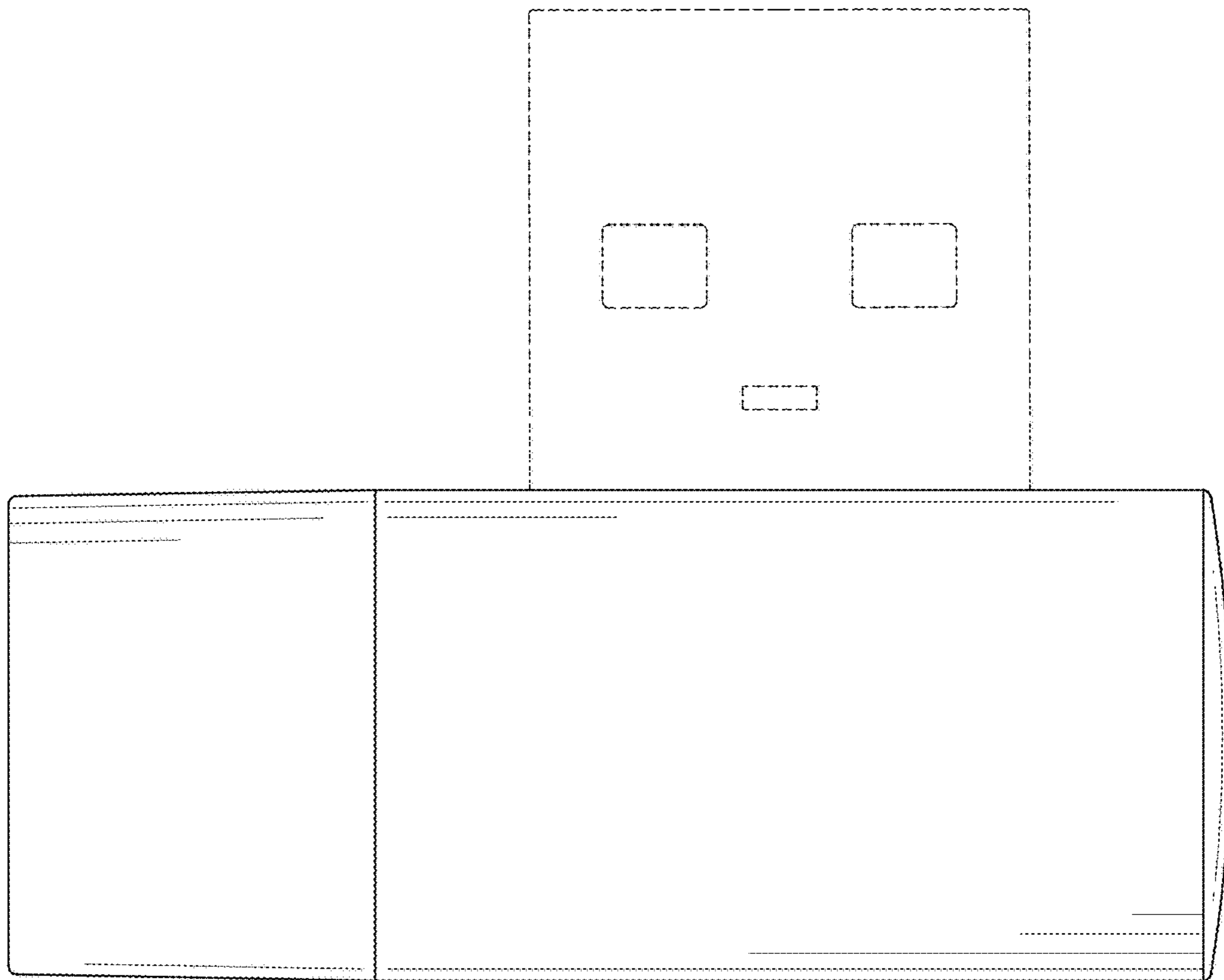


FIG. 5

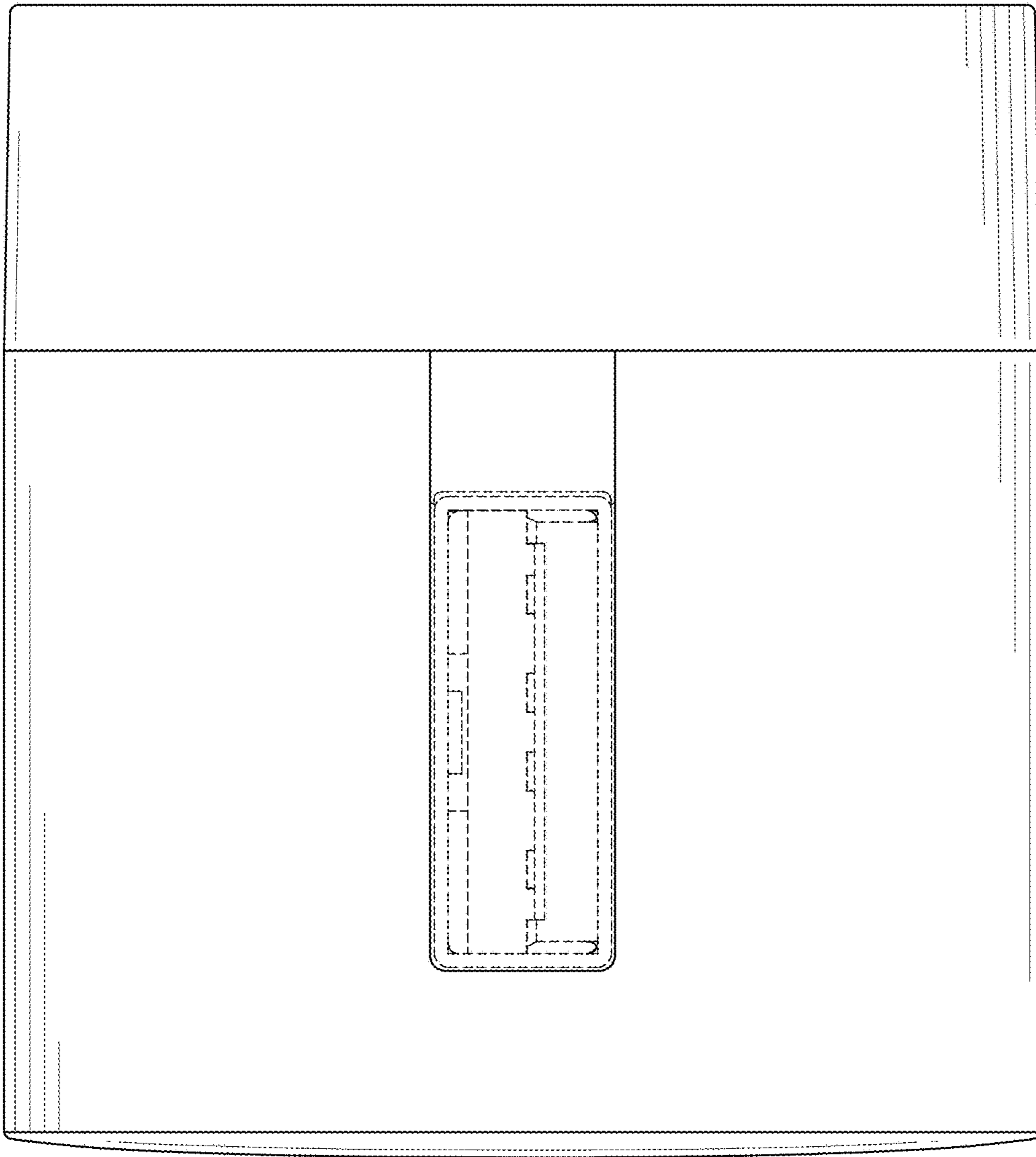


FIG. 6

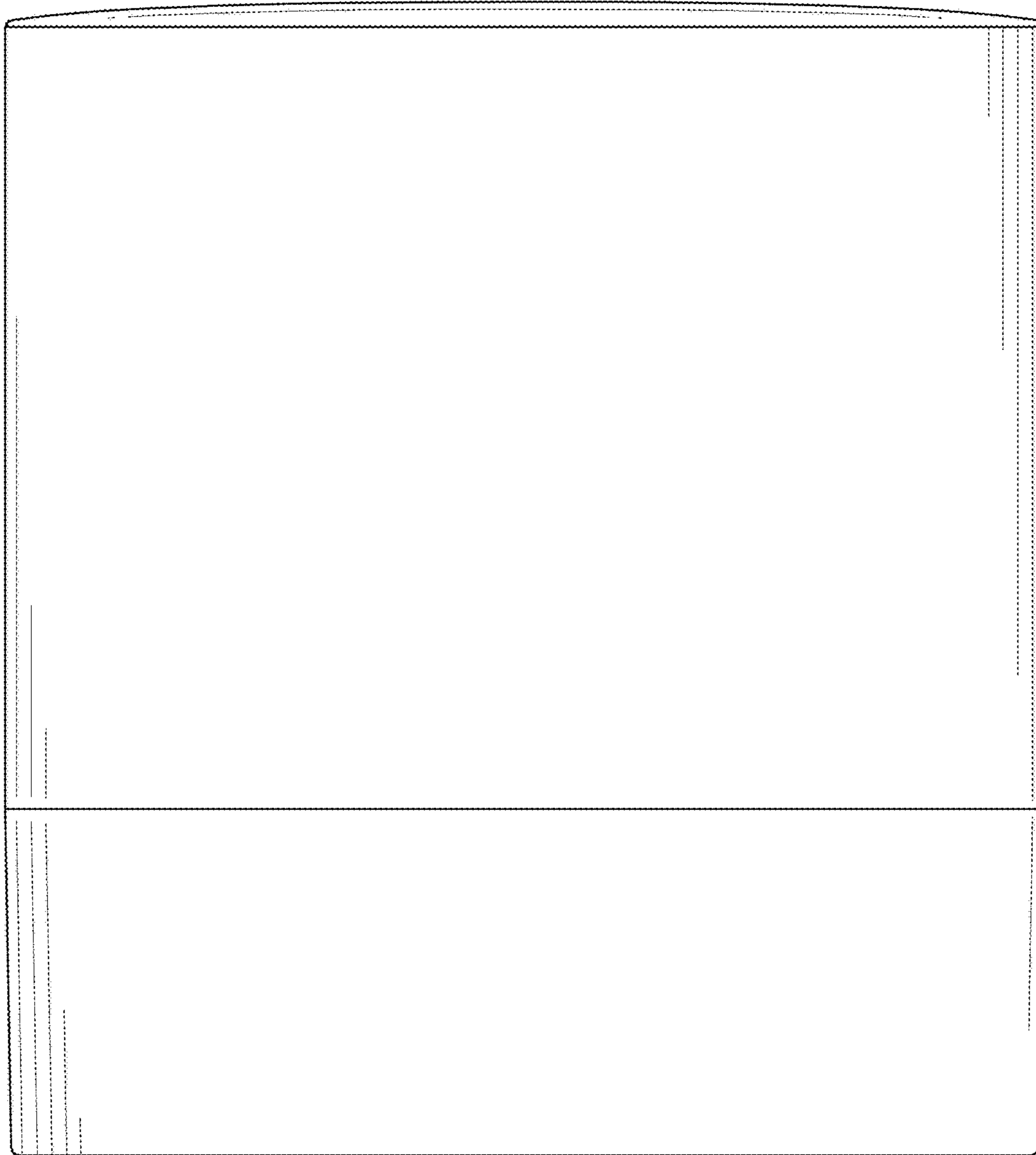


FIG. 7