



US00D788109S

(12) **United States Design Patent**
Kuan-her et al.

(10) **Patent No.:** **US D788,109 S**
(45) **Date of Patent:** **** May 30, 2017**

- (54) **REFILL FOR A DIGITAL PEN**
- (71) Applicant: **Wacom Co., Ltd.**, Kazo-shi, Saitama (JP)
- (72) Inventors: **Chiu Kuan-her**, Zhubei (TW); **Sun Ming-shen**, Hsinchu (TW)
- (73) Assignee: **Wacom Co., Ltd.**, Kazo-shi (JP)
- (**) Term: **15 Years**
- (21) Appl. No.: **29/568,821**
- (22) Filed: **Jun. 21, 2016**

8,414,210 B2 * 4/2013 Silverbrook G06F 3/03545
347/179
D744,486 S * 12/2015 Arai D14/411
9,298,285 B2 * 3/2016 Mohindra G06F 3/03545
D772,876 S * 11/2016 Akana D14/411

FOREIGN PATENT DOCUMENTS

JP 2014-021674 A 2/2014

* cited by examiner

Primary Examiner — Austin Murphy

(74) *Attorney, Agent, or Firm* — Christensen O'Connor Johnson Kindness PLLC

(30) **Foreign Application Priority Data**

Dec. 22, 2015 (JP) 2015-028531

(51) **LOC (10) Cl.** **07-05**

(52) **U.S. Cl.**
USPC **D14/411**

(58) **Field of Classification Search**

USPC D14/372, 496, 432, 371, 125, 126, 129,
D14/299, 411; D16/300–342; 351/158,
351/153, 144; 345/7–9, 905; 455/344;
348/115, 53, 121, 739
CPC G02B 27/017; G06F 3/016; G06F 3/033;
G06F 3/0317; G06F 3/03545; G06F
3/041; G06K 9/222

See application file for complete search history.

(56) **References Cited**

U.S. PATENT DOCUMENTS

D352,703 S * 11/1994 Mitcham D14/411
5,747,748 A * 5/1998 Zigler B43K 23/10
178/18.01
D416,043 S 11/1999 Arthur et al.
7,928,967 B2 * 4/2011 Underwood B43K 7/005
345/179

(57) **CLAIM**

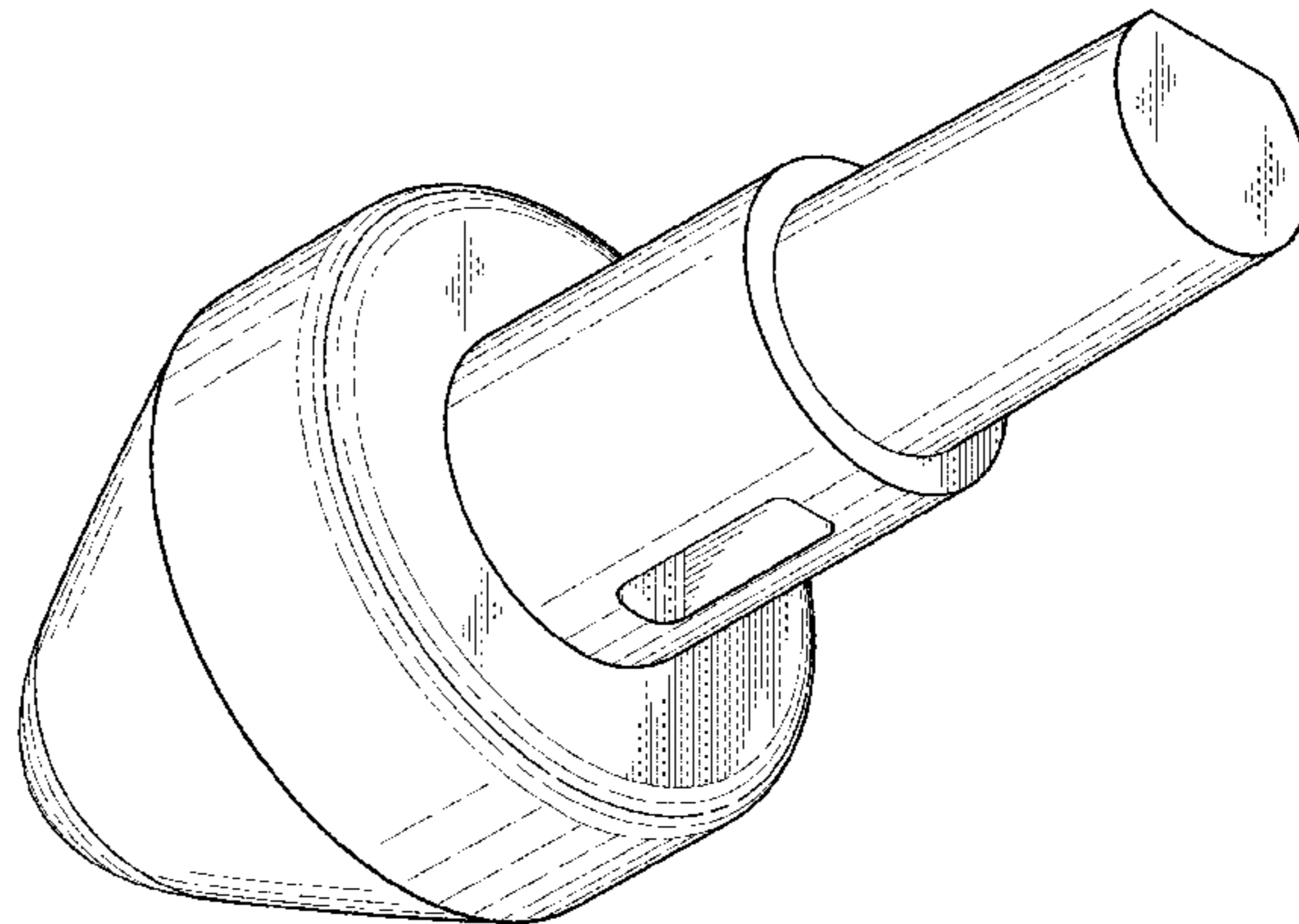
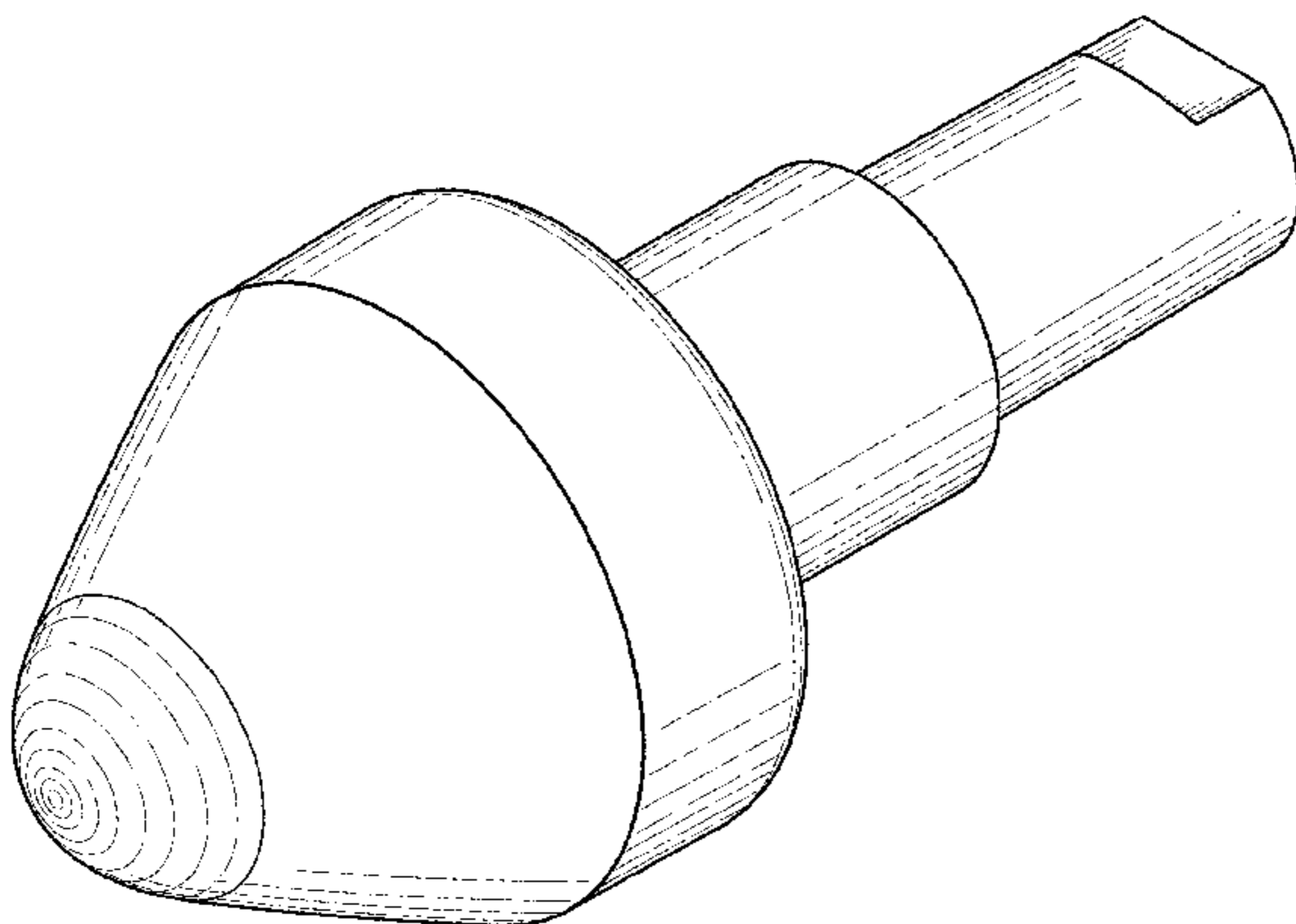
The ornamental design for a refill for a digital pen, as shown and described.

DESCRIPTION

FIG. 1 is an environmental view of a refill for a digital pen according to an embodiment of our new design; FIG. 2 is a top front perspective view thereof; FIG. 3 is a bottom rear perspective view thereof; FIG. 4 is a right side view thereof; FIG. 5 is a left side view thereof; FIG. 6 is a front view thereof; FIG. 7 is a rear view thereof; FIG. 8 is a top view thereof; and, FIG. 9 is a bottom view thereof.

The broken lines in the drawings show portions of the refill for a digital pen which form no part of the claimed design. While the solid lines in the drawings form part of the claimed design, the solid lines also provide written description of prospective embodiments with aspects that are not claimed when one or more of the solid lines are amended to broken lines.

1 Claim, 6 Drawing Sheets



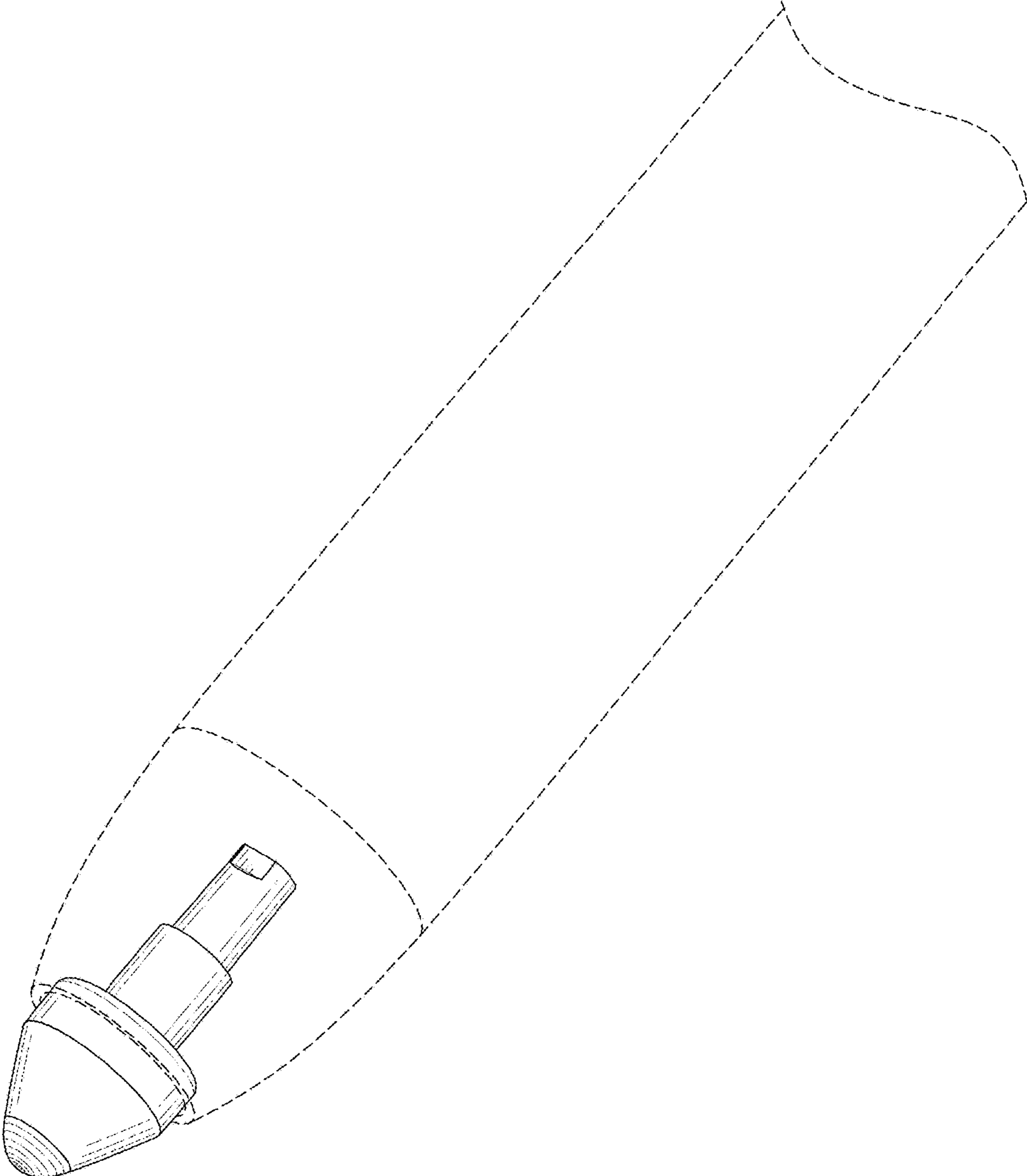


Fig. 1.

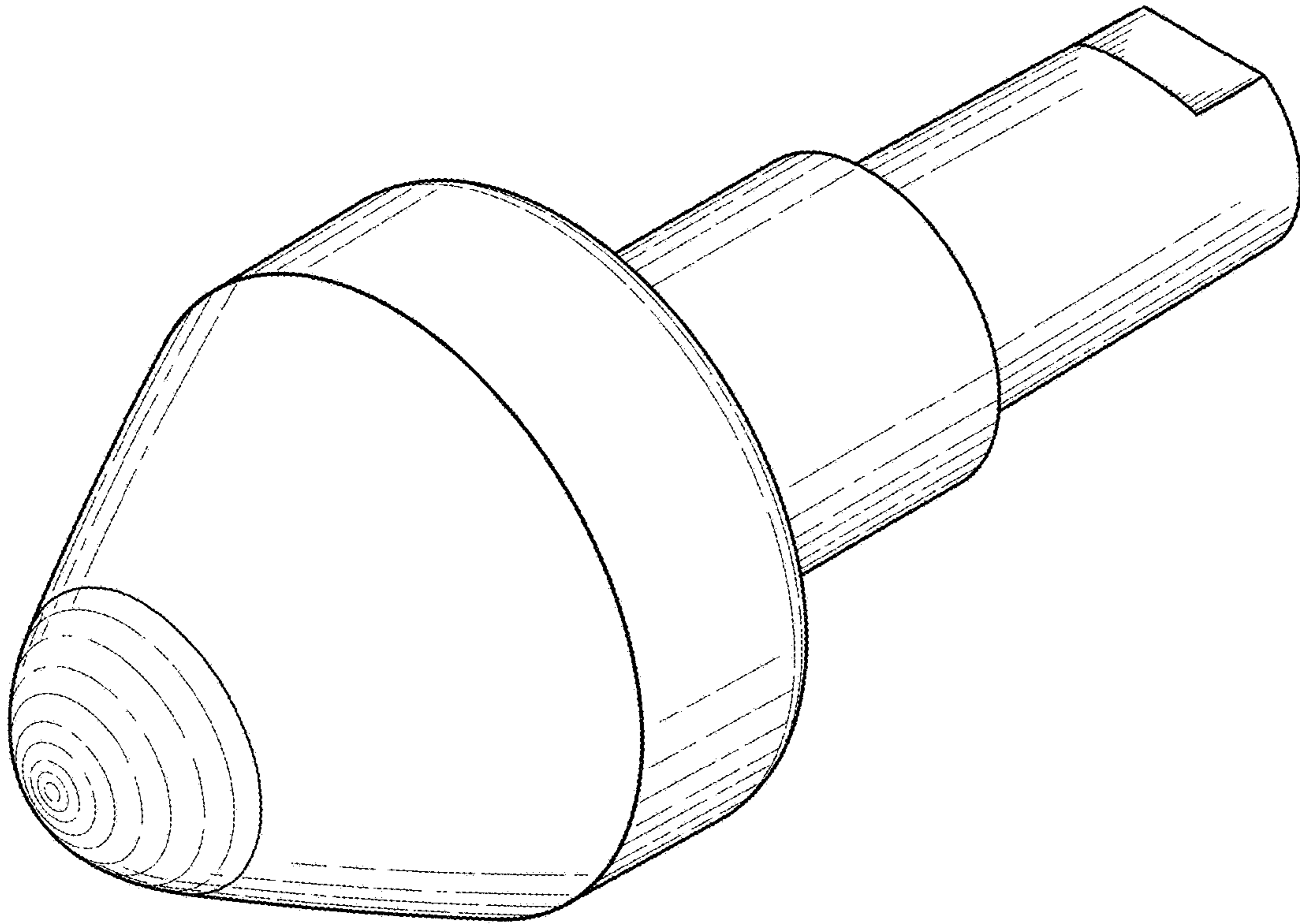


Fig. 2.

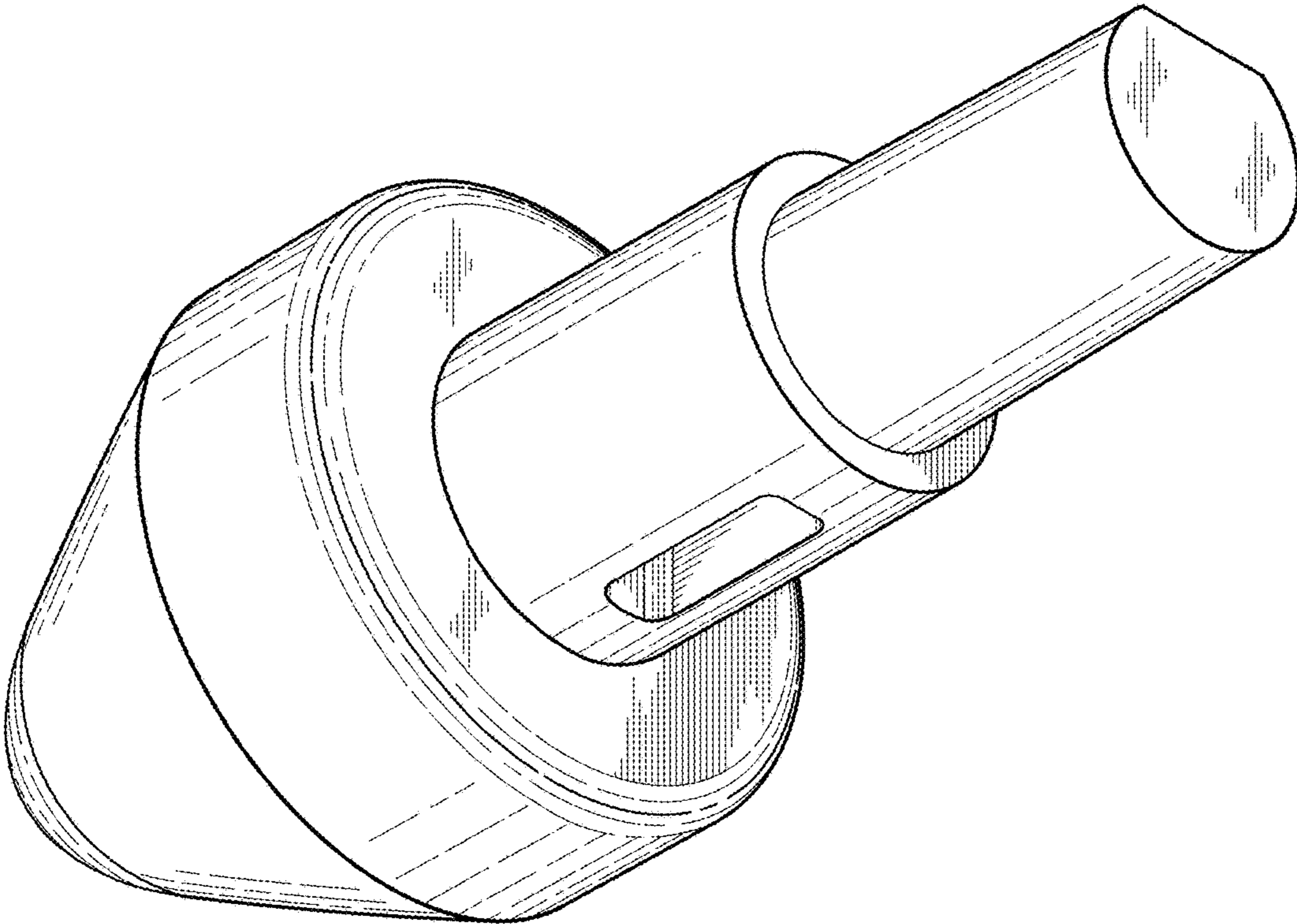


Fig. 3.

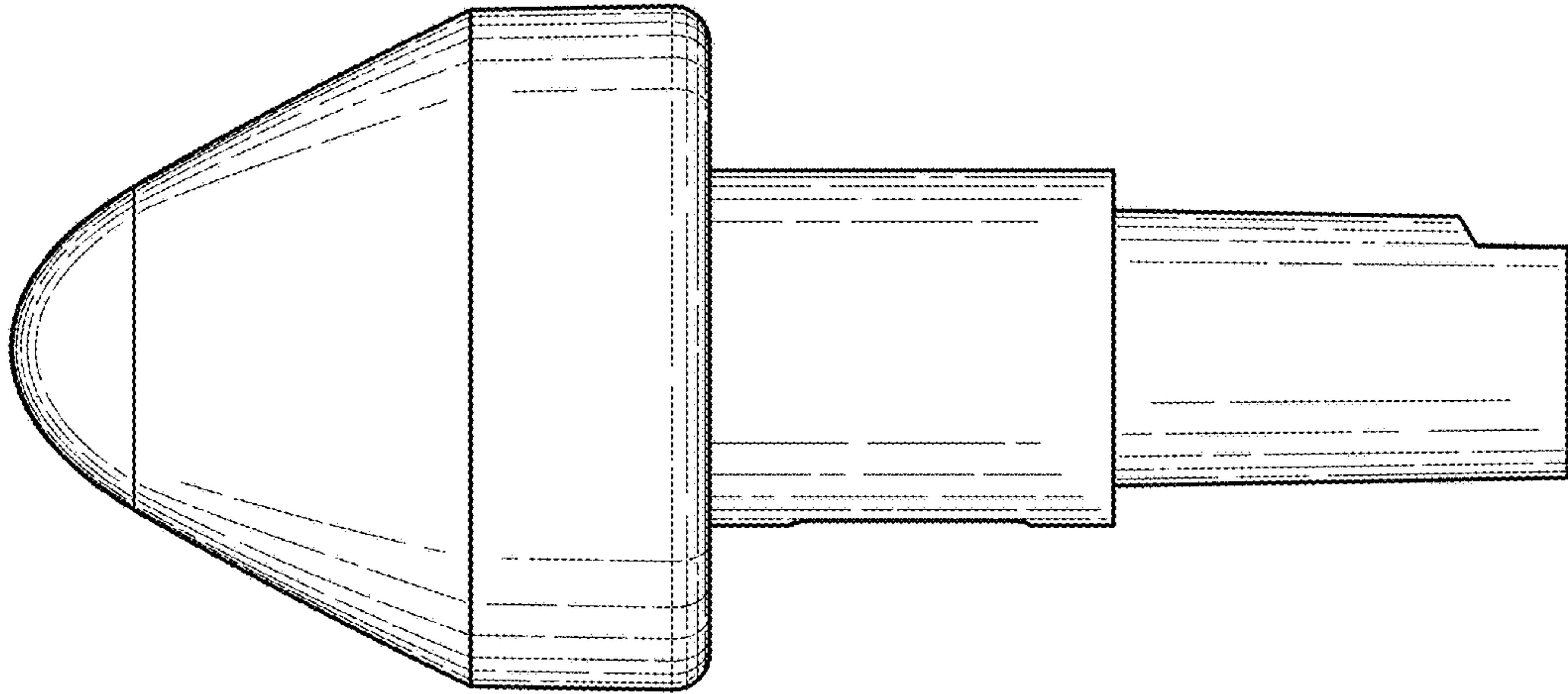


Fig. 4.

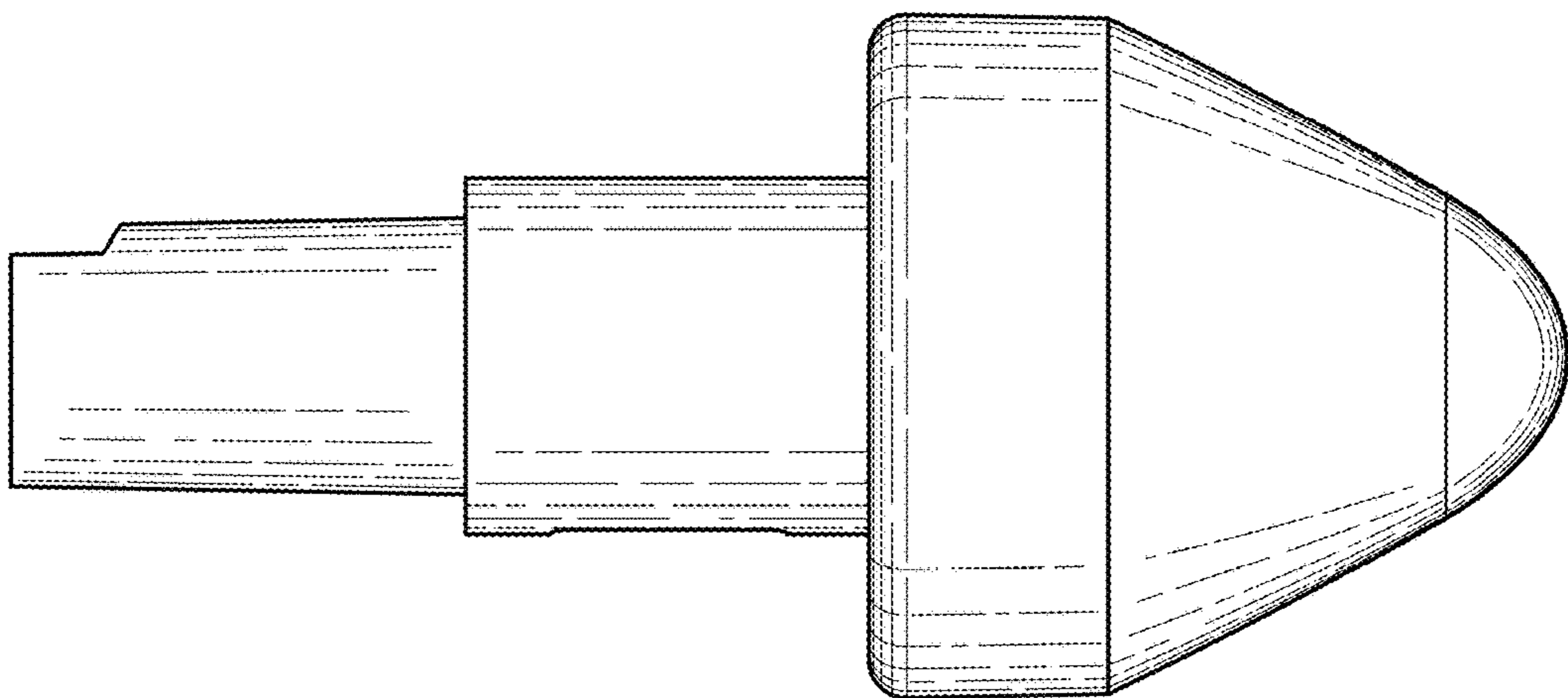


Fig. 5.

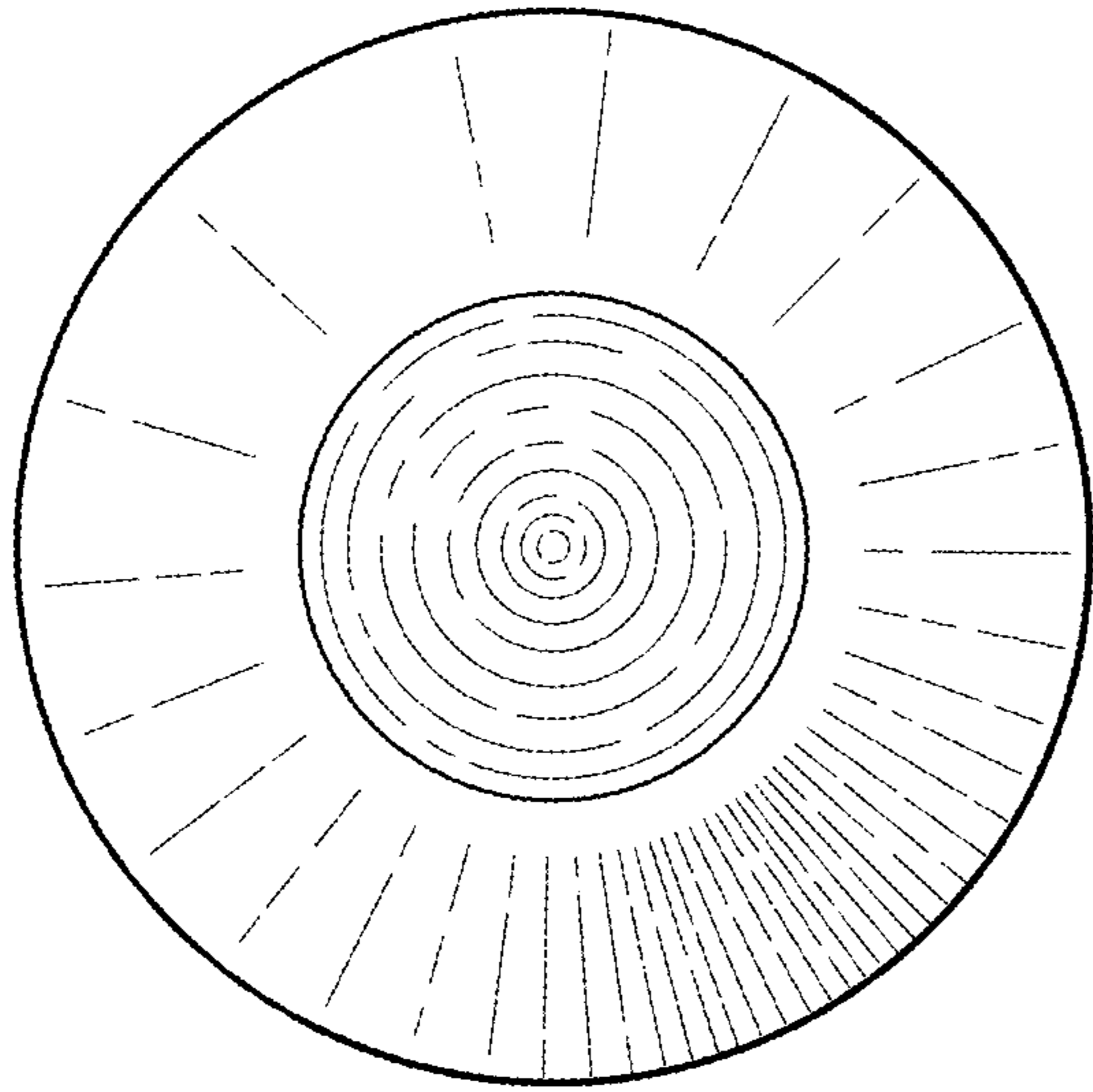


Fig. 6.

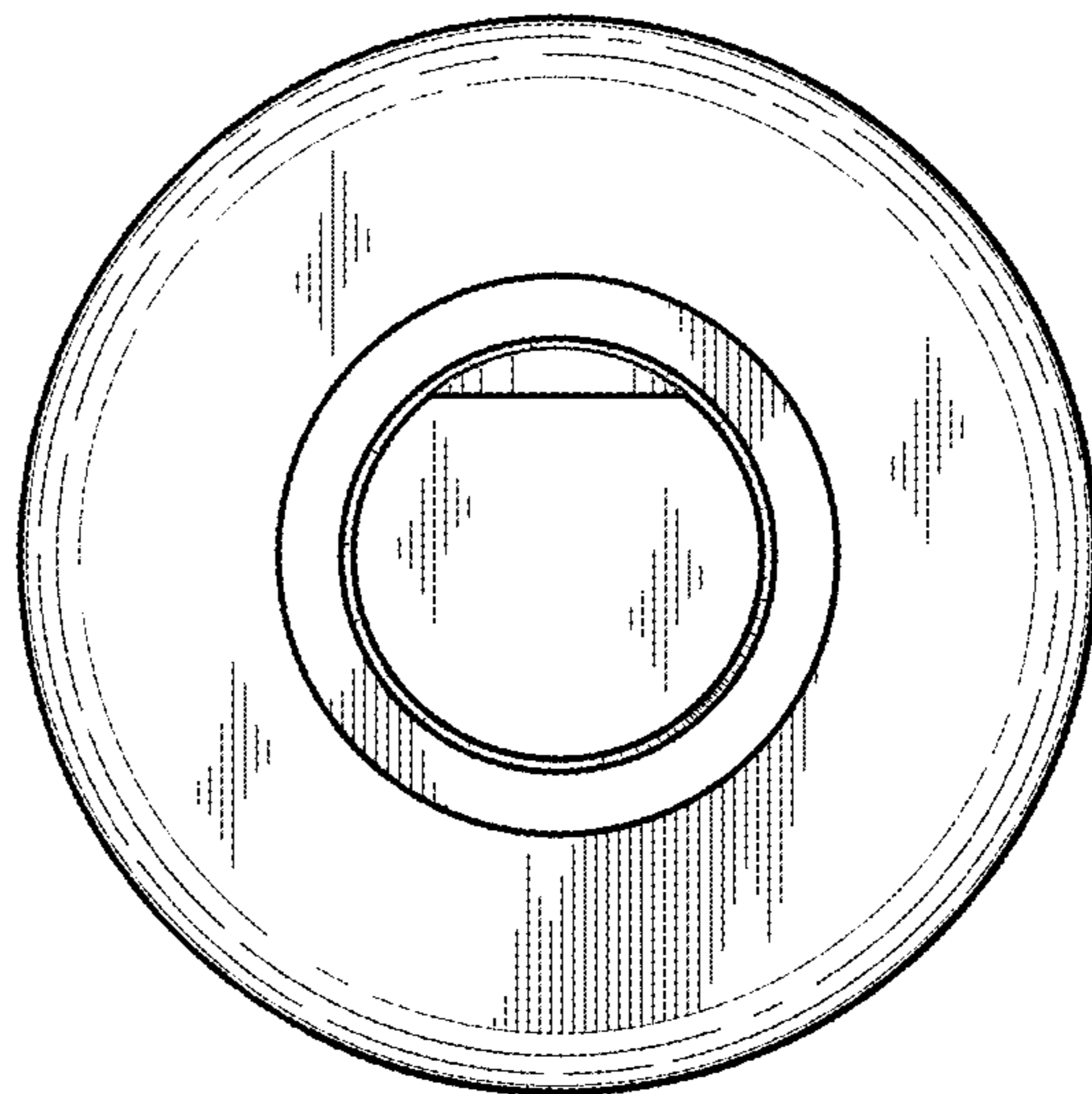


Fig. 7.

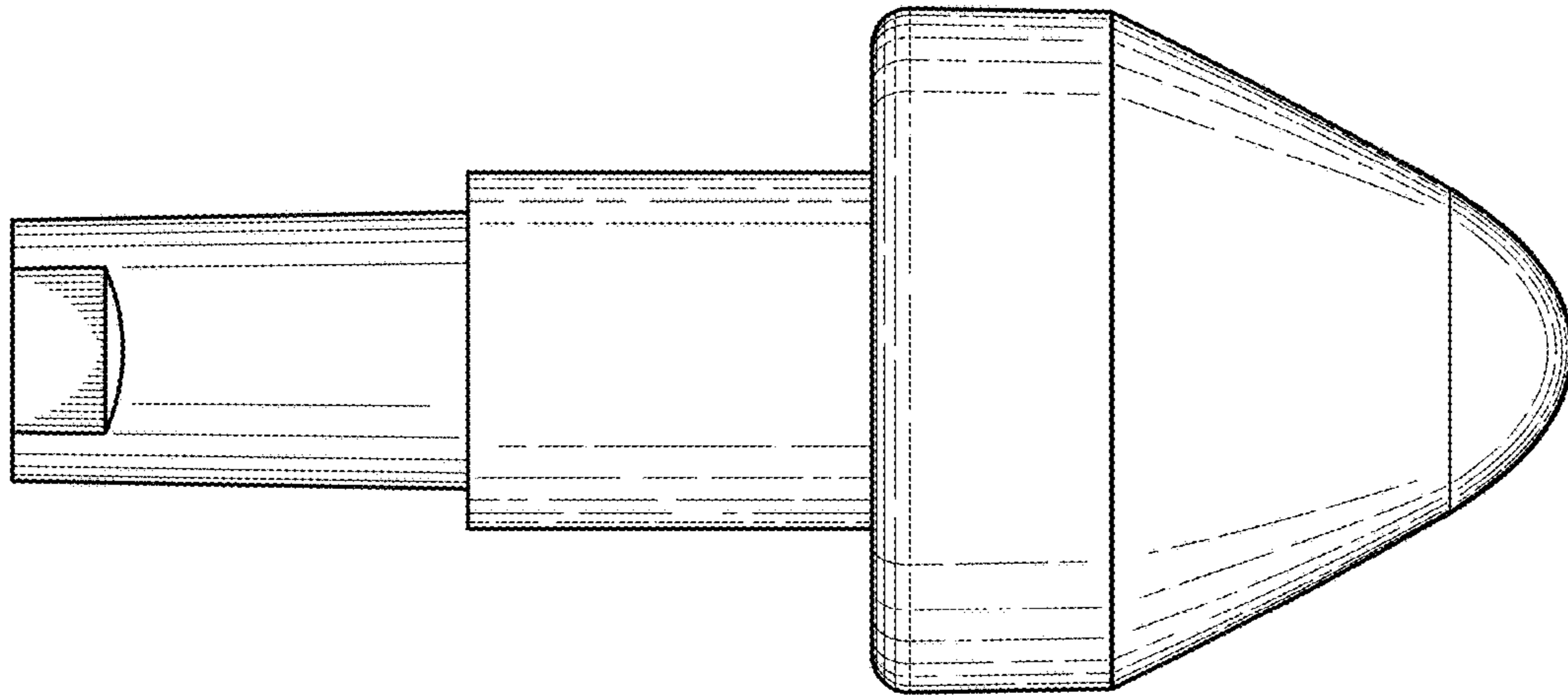


Fig. 8.

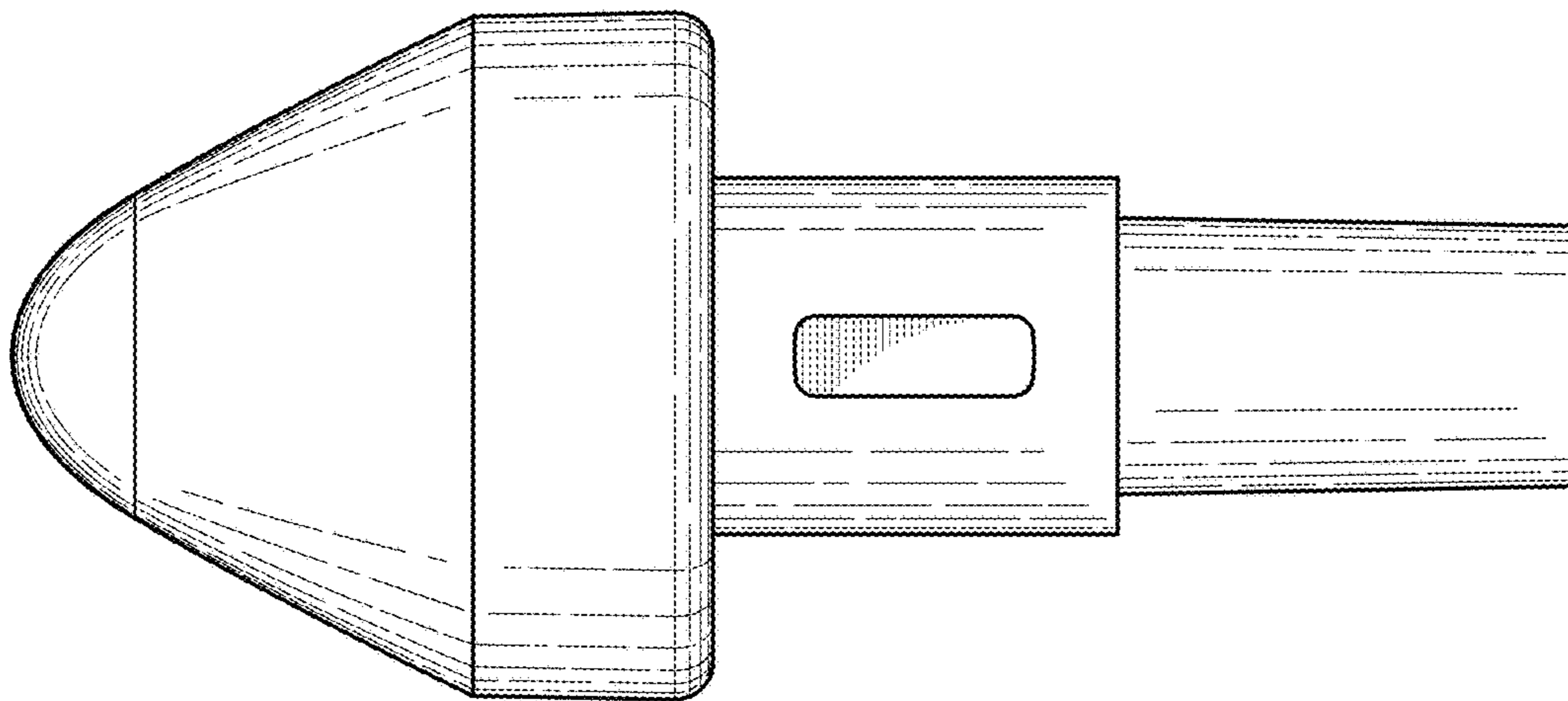


Fig. 9.