



US00D788106S

(12) **United States Design Patent** (10) **Patent No.:** **US D788,106 S**
Lin et al. (45) **Date of Patent:** **** May 30, 2017**

(54) **CLOUD COMPUTING DEVICE**

H05K 7/20727; G06F 1/181; G06F 1/187;
G06F 1/183; G06F 1/184; H01Q 1/243

See application file for complete search history.

(71) Applicant: **Quanta Computer Inc.**, Taoyuan (TW)

(72) Inventors: **Yu-Nung Lin**, Taoyuan (TW);
Chang-Ta Miao, Taoyuan (TW);
Chih-Kang Ting, Taoyuan (TW);
Gwo-Chyuan Chen, Taoyuan (TW)

(73) Assignee: **QUANTA COMPUTER INC.**,
Guishan Dist., Taoyuan (TW)

(**) Term: **15 Years**

(21) Appl. No.: **29/562,101**

(22) Filed: **Apr. 22, 2016**

(30) **Foreign Application Priority Data**

Mar. 16, 2016 (TW) 105301355

(51) **LOC (10) Cl.** **14-02**

(52) **U.S. Cl.**
USPC **D14/356**

(58) **Field of Classification Search**
USPC D14/300-302, 308, 310, 312, 314,
D14/348-359, 363, 364, 365, 367, 432,
D14/435, 439, 480.1, 480.3, 480.4, 496,
D14/125, 240-242, 299; D13/103, 107,
D13/108, 119, 123, 158, 162, 162.1, 163,
D13/184, 199

CPC G11B 33/04; G11B 33/08; G11B 33/124;
G11B 33/126; G11B 33/128; G11B
23/02; G11B 23/023; G11B 23/0236;
G11B 23/0313; G11B 23/0316; H05K
5/00; H05K 5/0213; H05K 7/14; H05K
7/1424; H05K 7/1485; H05K 7/20709;

(56) **References Cited**

U.S. PATENT DOCUMENTS

| | | | | | | |
|--------------|----|---|---------|-----------|-------|-------------------------|
| D296,440 | S | * | 6/1988 | Smith | | D14/432 |
| D426,529 | S | * | 6/2000 | Lohrding | | D14/137 |
| D493,170 | S | * | 7/2004 | Ryu | | D14/365 |
| D599,339 | S | * | 9/2009 | Yau | | D14/300 |
| D647,901 | S | * | 11/2011 | Lin | | D14/356 |
| D705,782 | S | * | 5/2014 | McParland | | D14/435 |
| D729,239 | S | * | 5/2015 | Fukuoka | | D14/348 |
| D740,808 | S | * | 10/2015 | Kono | | D14/365 |
| D743,962 | S | * | 11/2015 | Ikeda | | D14/348 |
| D746,813 | S | * | 1/2016 | Chen | | D14/341 |
| D749,577 | S | * | 2/2016 | Lin | | D14/357 |
| D751,071 | S | * | 3/2016 | Kurata | | D14/365 |
| 2007/0077973 | A1 | * | 4/2007 | Wu | | H01Q 1/243 455/575.7 |

* cited by examiner

Primary Examiner — Marianne Pandozzi

Assistant Examiner — Marie Fast Horse

(74) *Attorney, Agent, or Firm* — McClure, Qualey &
Rodack, LLP

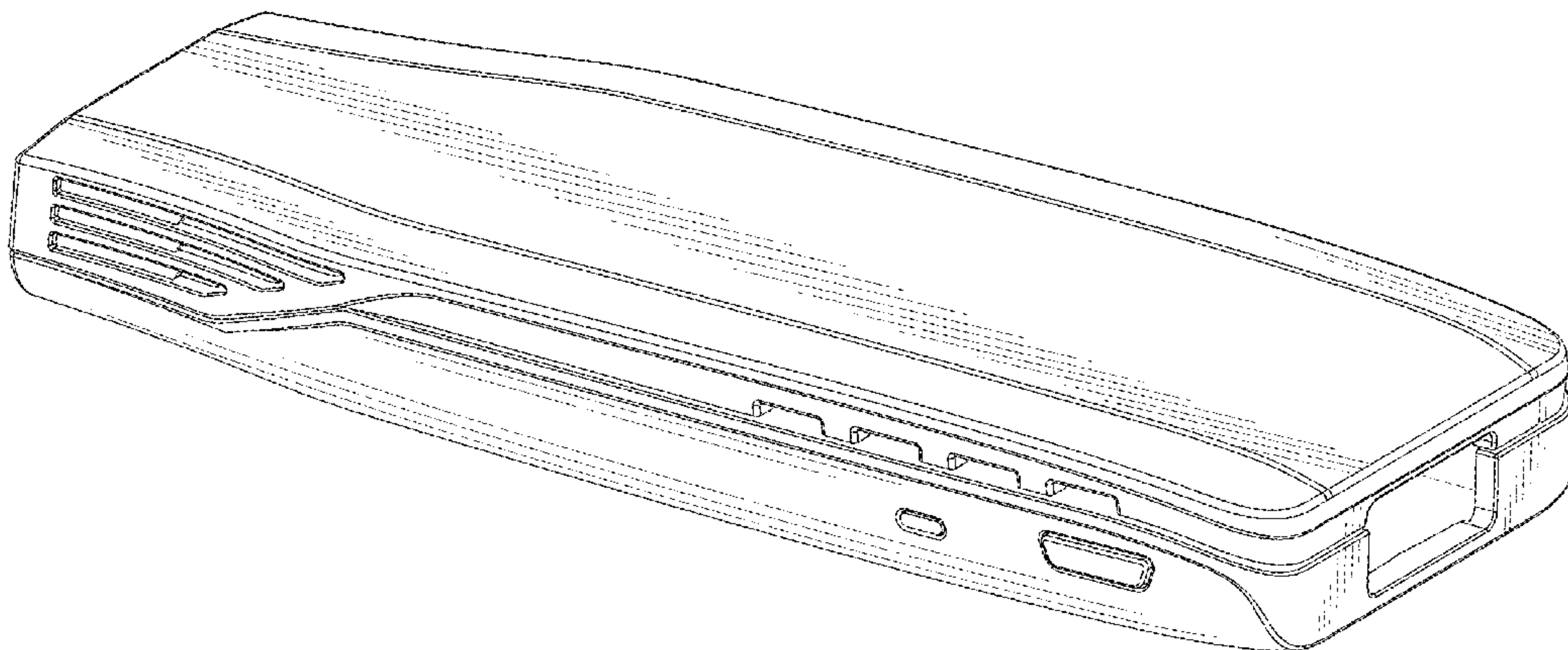
(57) **CLAIM**

The ornamental design for cloud computing device, as shown and described.

DESCRIPTION

FIG. 1 is a front perspective view of a cloud computing device in accordance with our new design;
FIG. 2 is a front view thereof;
FIG. 3 is a rear view thereof;
FIG. 4 is a left side view thereof;
FIG. 5 is a right side view thereof;
FIG. 6 is a bottom plan view thereof;
FIG. 7 is a top plan view thereof; and,
FIG. 8 is another front perspective view thereof.

(Continued)



The broken lines in FIGS. **1** and **8** depict internal structure of part of the cloud computing device and form no part of the claimed design.

1 Claim, 8 Drawing Sheets

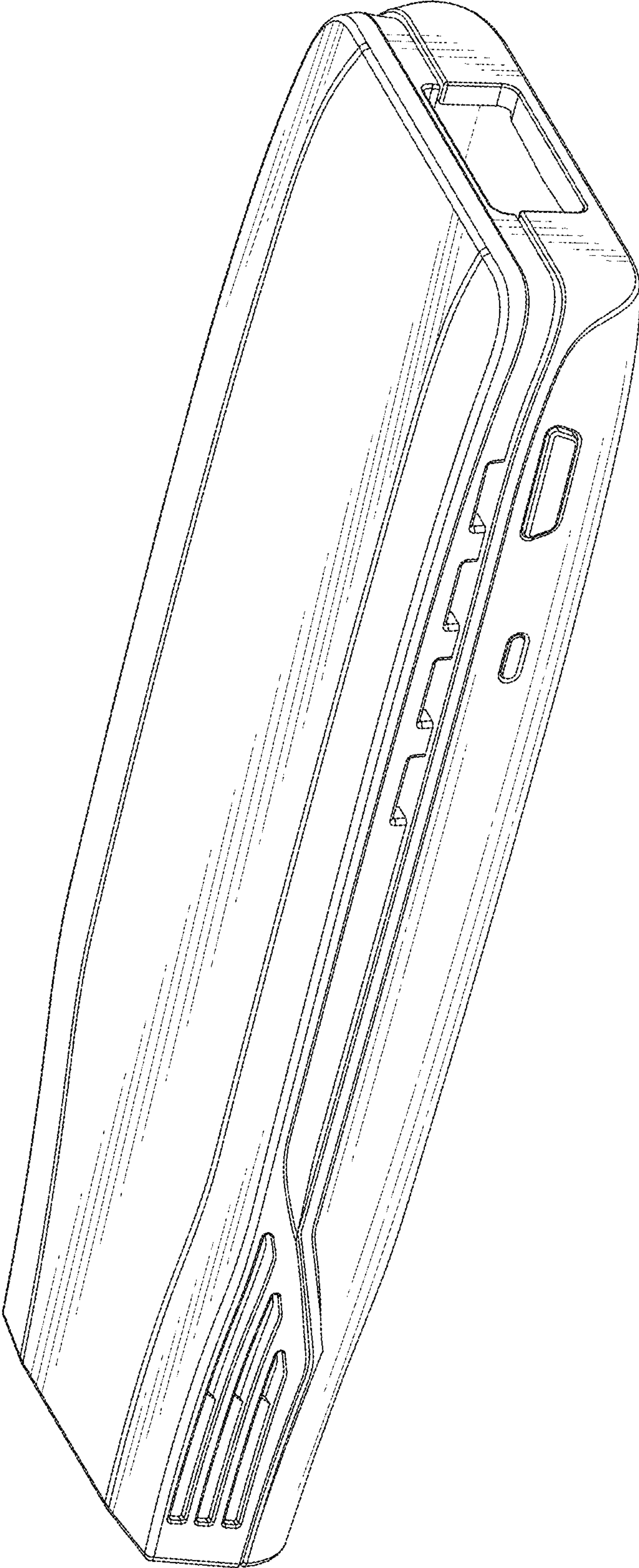


FIG. 1

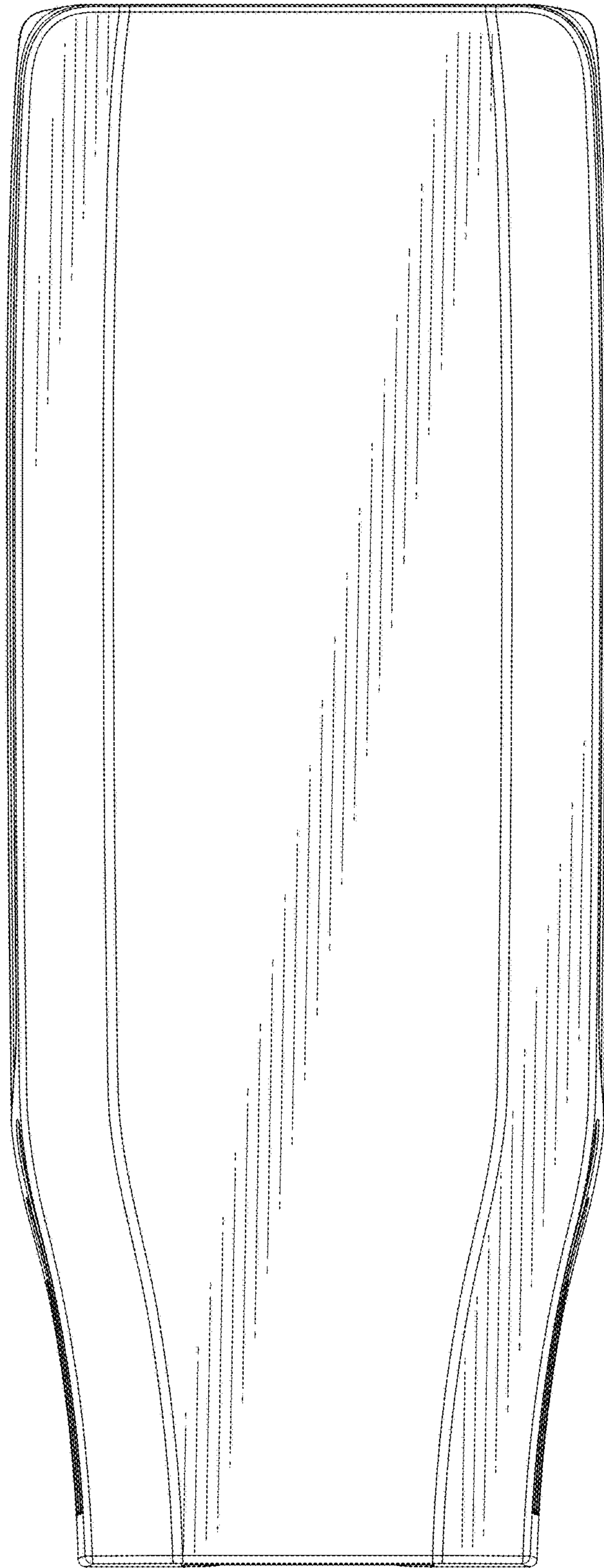


FIG. 2



FIG. 3

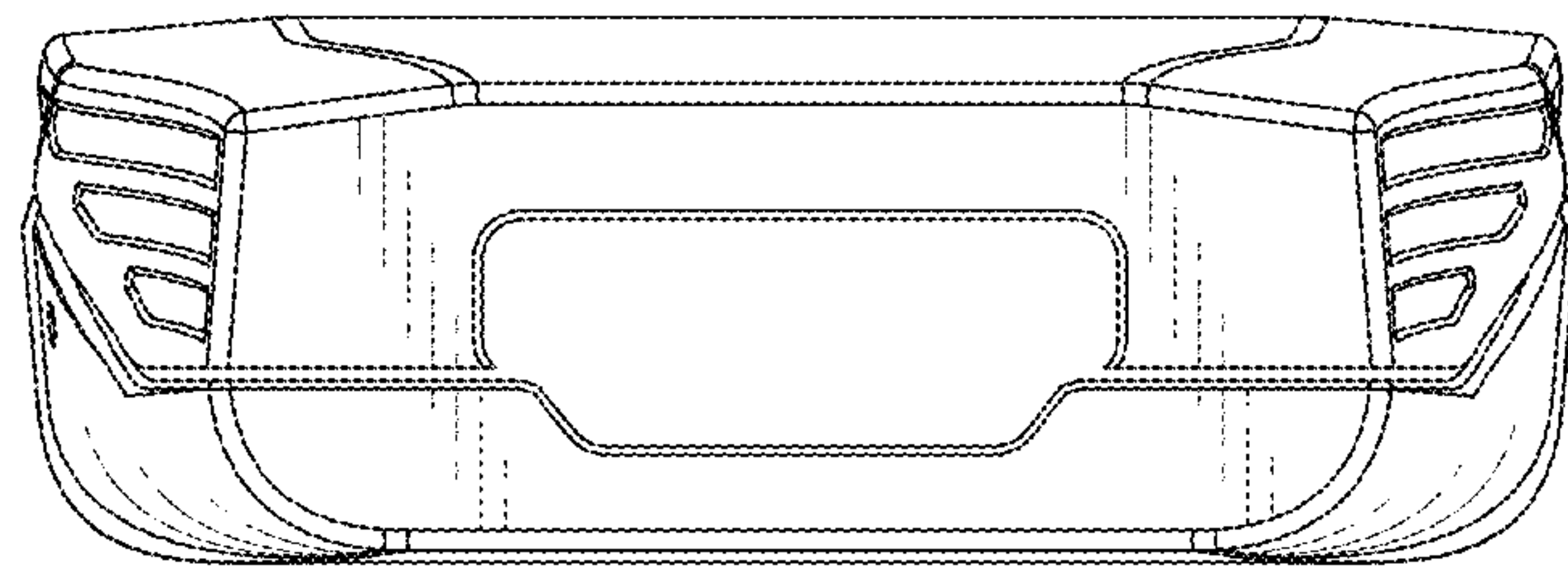


FIG. 4

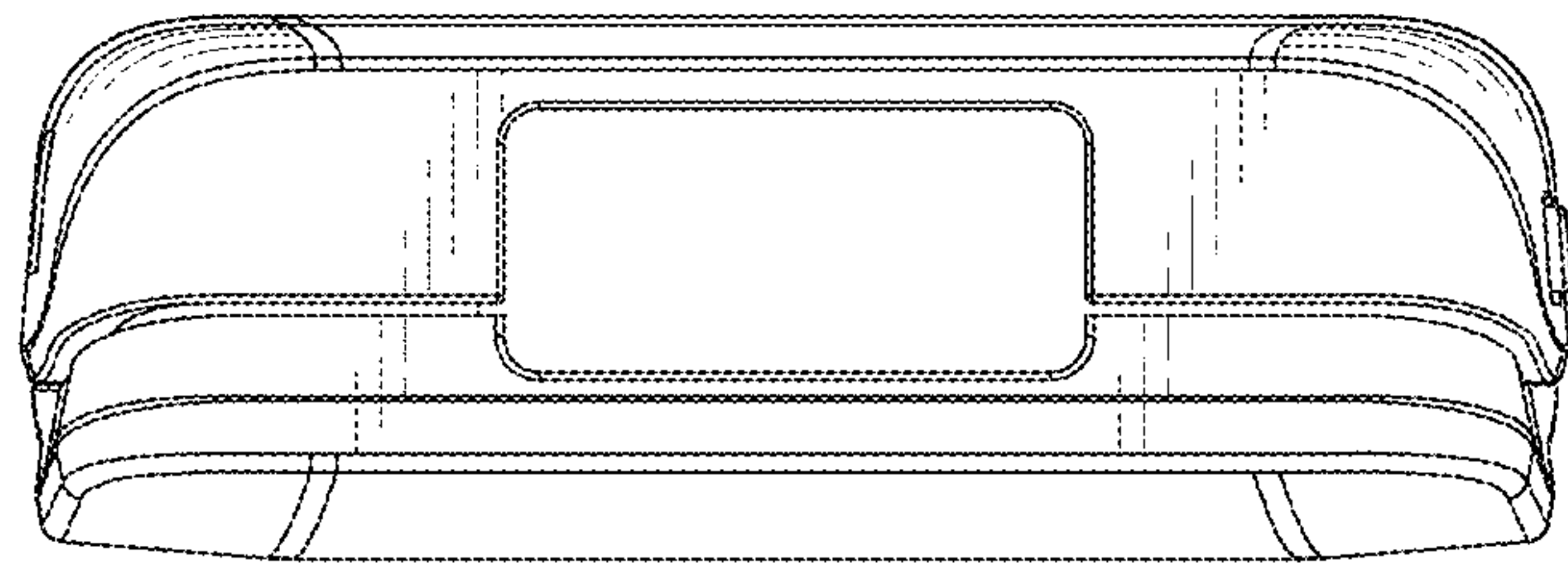


FIG. 5

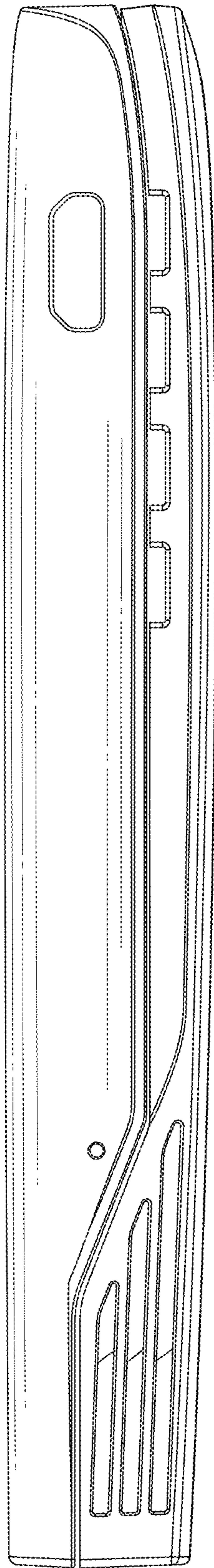


FIG. 6

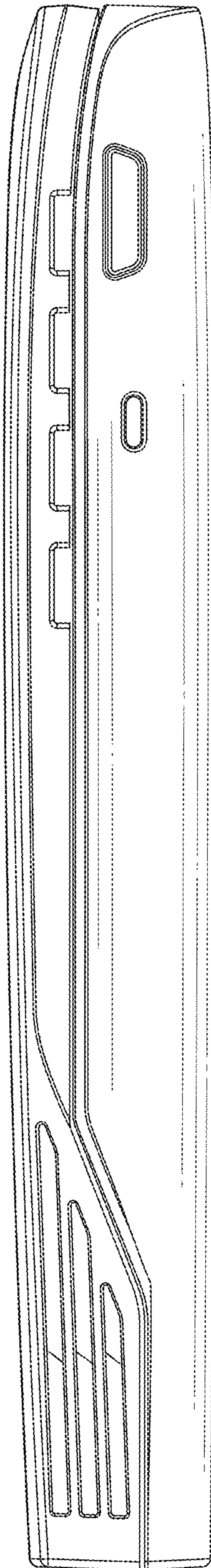


FIG. 7

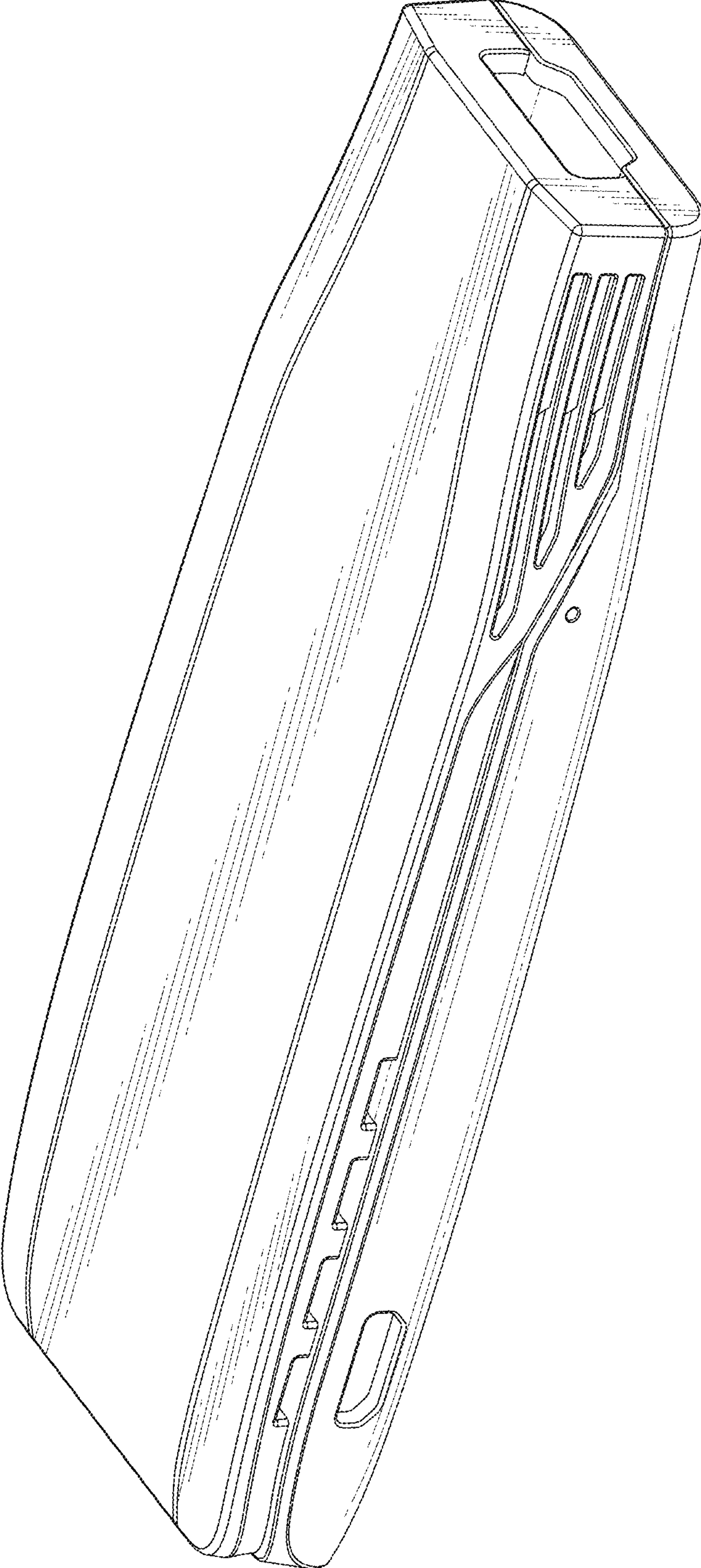


FIG. 8