

US00D788100S

(12) **United States Design Patent** (10) **Patent No.:** **US D788,100 S**
Sale et al. (45) **Date of Patent:** **** May 30, 2017**

(54) **DISPLAY DEVICE**

(56) **References Cited**

(71) Applicant: **DTT (HOLDINGS) PTY LTD**,
Toowong, Queensland (AU)
(72) Inventors: **Robert Charles Sale**, Pullenvale (AU);
Mark Robert Guthrie, Pullenvale
(AU); **John Voltin**, Austin, TX (US);
Brooke M. Davis, Austin, TX (US)
(73) Assignee: **DTT (Holdings) Pty Ltd** (AU)
(**) Term: **14 Years**
(21) Appl. No.: **29/497,825**
(22) Filed: **Jul. 29, 2014**

U.S. PATENT DOCUMENTS

D434,399 S 11/2000 Lanet
6,248,451 B1 * 6/2001 Smith A44B 15/005
40/634
D456,371 S 4/2002 Lavelle et al.
D462,957 S 9/2002 Ekelund
D482,031 S 11/2003 Lin
D517,513 S 3/2006 Peng
D529,884 S * 10/2006 Zernov D14/129
D538,766 S 3/2007 Hsiung
D548,956 S * 8/2007 Rimon D3/207
D574,893 S 8/2008 Bucolo et al.
D607,347 S 1/2010 Goh et al.
D626,440 S * 11/2010 Daicos D10/46.1

(Continued)

Primary Examiner — Barbara Fox
(74) *Attorney, Agent, or Firm* — Barnes & Thornburg
LLP

Related U.S. Application Data

(62) Division of application No. 29/439,870, filed on Dec.
17, 2012, now Pat. No. Des. 717,298.

Foreign Application Priority Data

(30) Jul. 18, 2012 (AU) 13392/2012
Jul. 18, 2012 (AU) 13393/2012
Jul. 18, 2012 (AU) 13394/2012

(57) **CLAIM**

The ornamental design for a display device, as shown and
described.

(51) **LOC (10) Cl.** **14-02**

(52) **U.S. Cl.**
USPC **D14/341**

DESCRIPTION

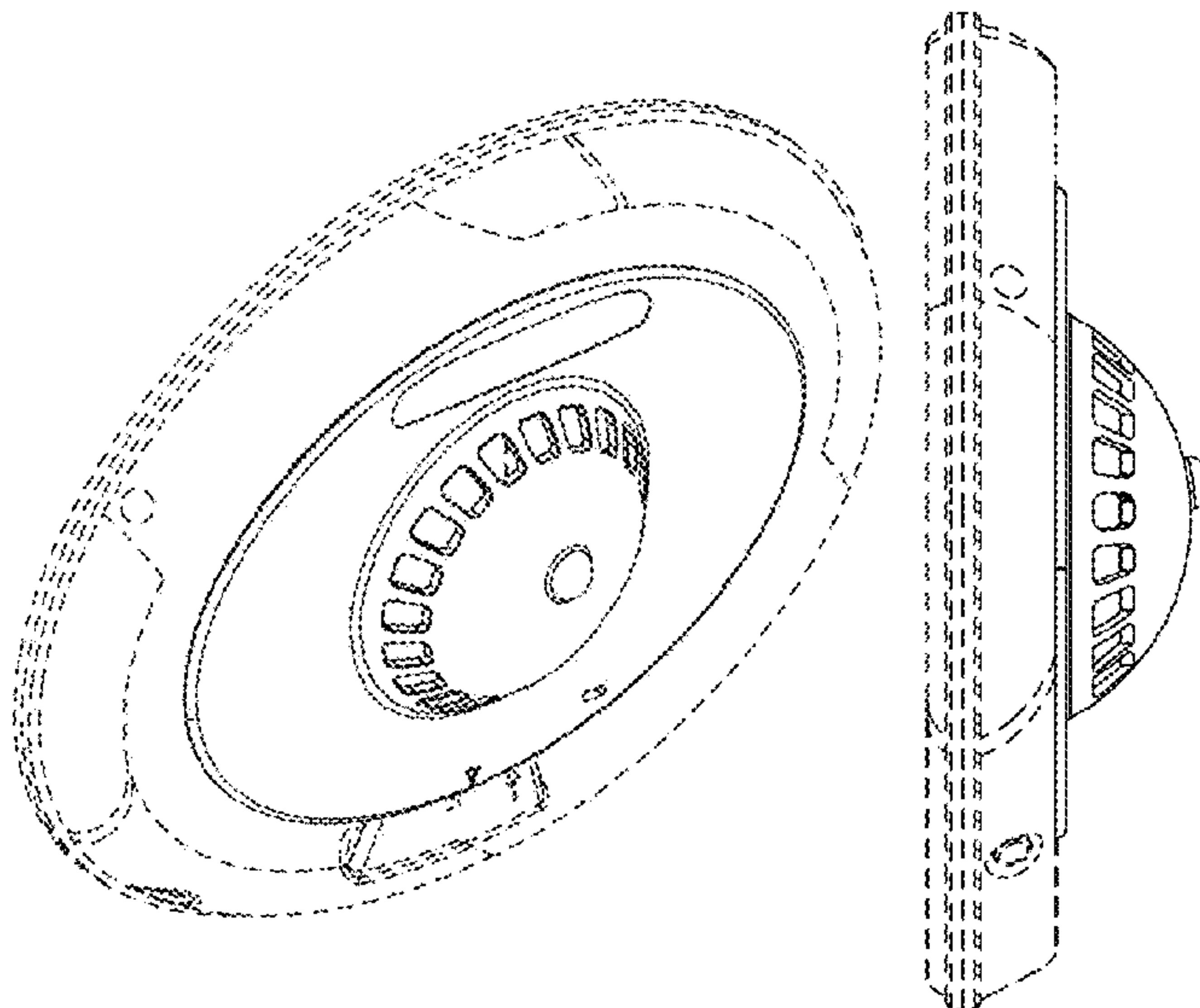
(58) **Field of Classification Search**
USPC D14/341–347, 137, 138 R, 138 AA,
D14/138 C, 138 G, 496, 203.1, 203.3,
D14/203.4, 203.7, 129, 130, 147, 218,
D14/248, 389, 388, 426, 420; D10/65,
D10/104.1; D18/6–7; D21/324, 329,
D21/330; 455/556.1, 556.2, 566, 575.1,
455/90.3; 379/433.04, 433.01, 433.06,
379/916; 345/173, 901, 905;
361/679.26, 679.3, 679.55, 679.56

FIG. 1 is an isometric view of a display device from the front
showing our new design,
FIG. 2 is a front elevational view thereof,
FIG. 3 is an isometric view from the rear thereof,
FIG. 4 is a rear elevational view thereof,
FIG. 5 a top plan view thereof,
FIG. 6 is a bottom plan view thereof,
FIG. 7 is a left side elevational view thereof; and,
FIG. 8 is a right side elevational view thereof.

The broken lines shown in the drawings represent portions
of the display device that form no part of the claimed design.

See application file for complete search history.

1 Claim, 4 Drawing Sheets



(56)

References Cited

U.S. PATENT DOCUMENTS

D632,396 S	2/2011	Kasabach et al.	
D634,232 S	3/2011	Kelly et al.	
D647,810 S	11/2011	Bohrer	
D660,368 S	5/2012	Podd	
D675,336 S *	1/2013	Laverack	D24/223
D711,874 S *	8/2014	Cope	D14/374
D713,404 S *	9/2014	Green	D14/344
D716,290 S *	10/2014	Lim	D14/314
D726,672 S *	4/2015	Olodort	D14/138 G
D740,264 S *	10/2015	Kester	D14/248
D741,306 S *	10/2015	Kester	D14/248
D741,307 S *	10/2015	Kester	D14/248
2002/0089414 A1	7/2002	Boggs et al.	

* cited by examiner

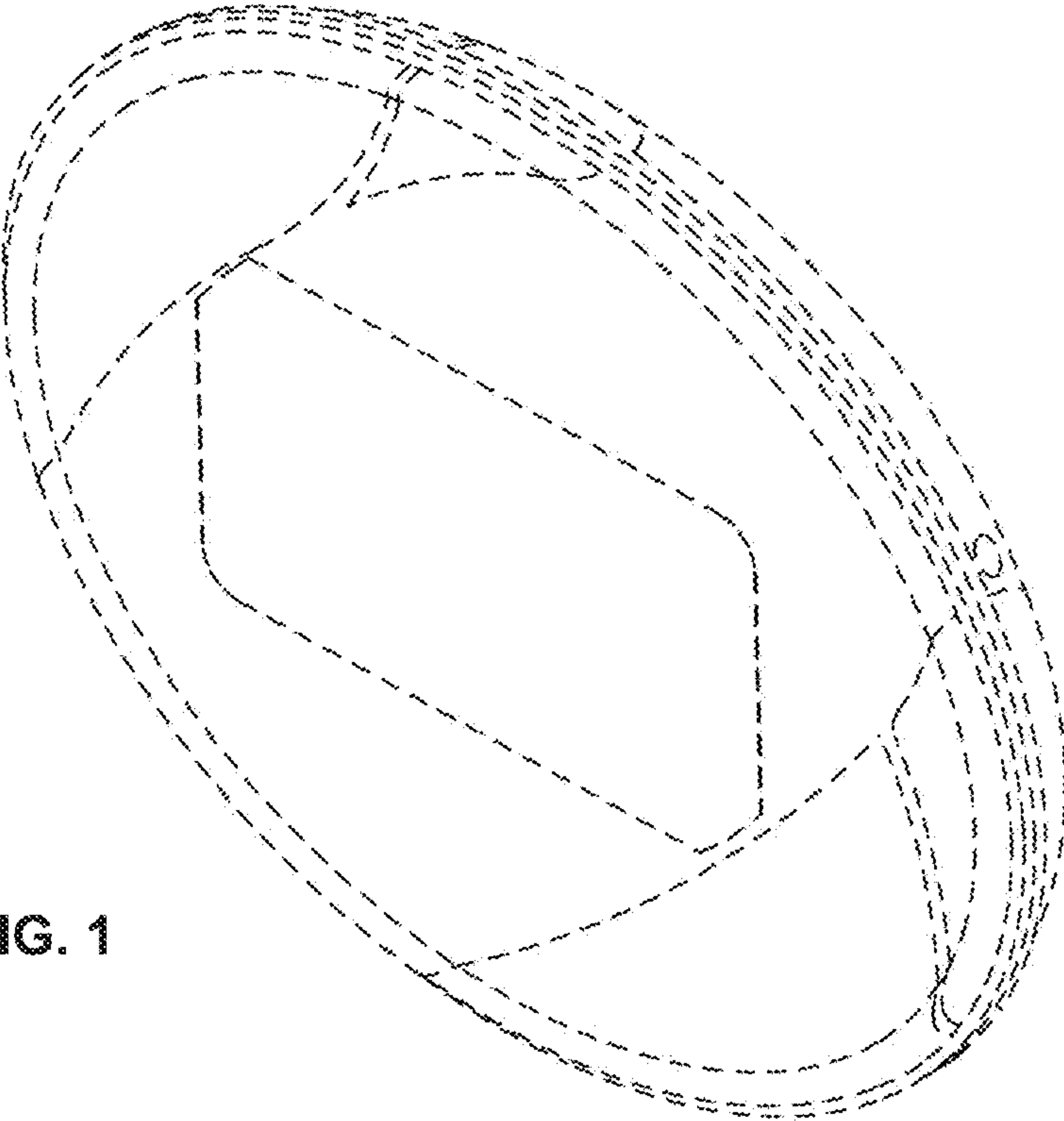


FIG. 1

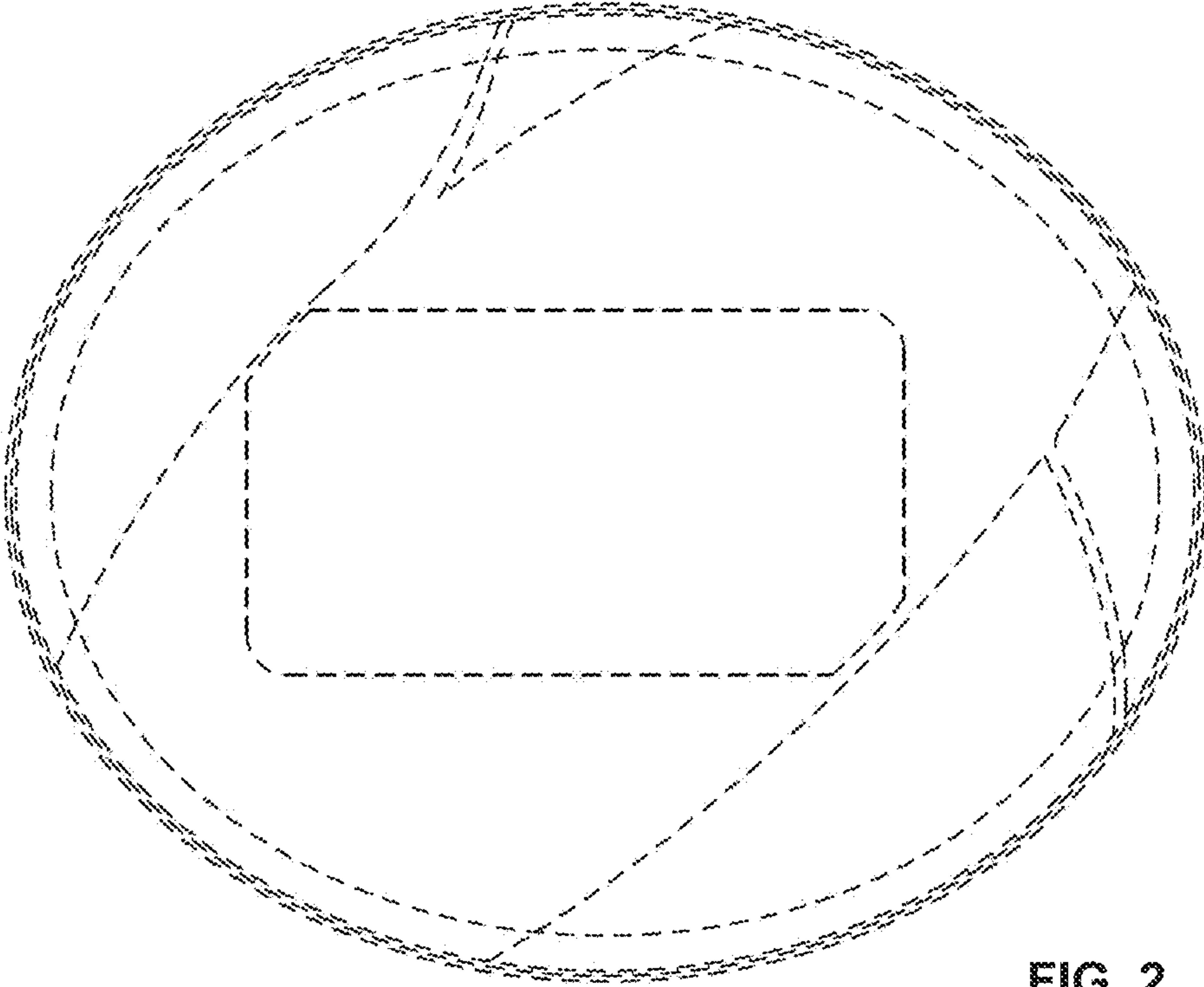


FIG. 2

FIG. 3

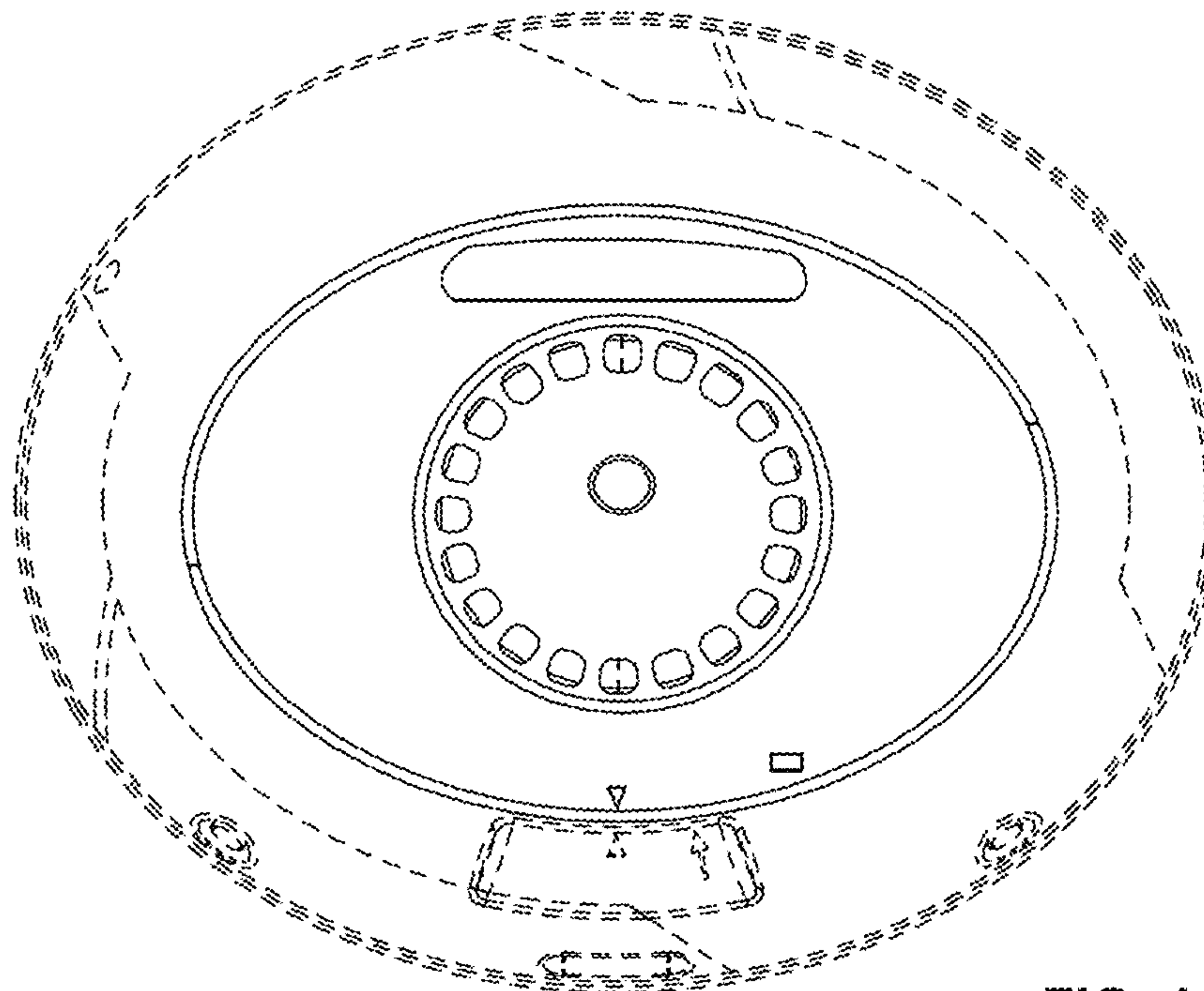
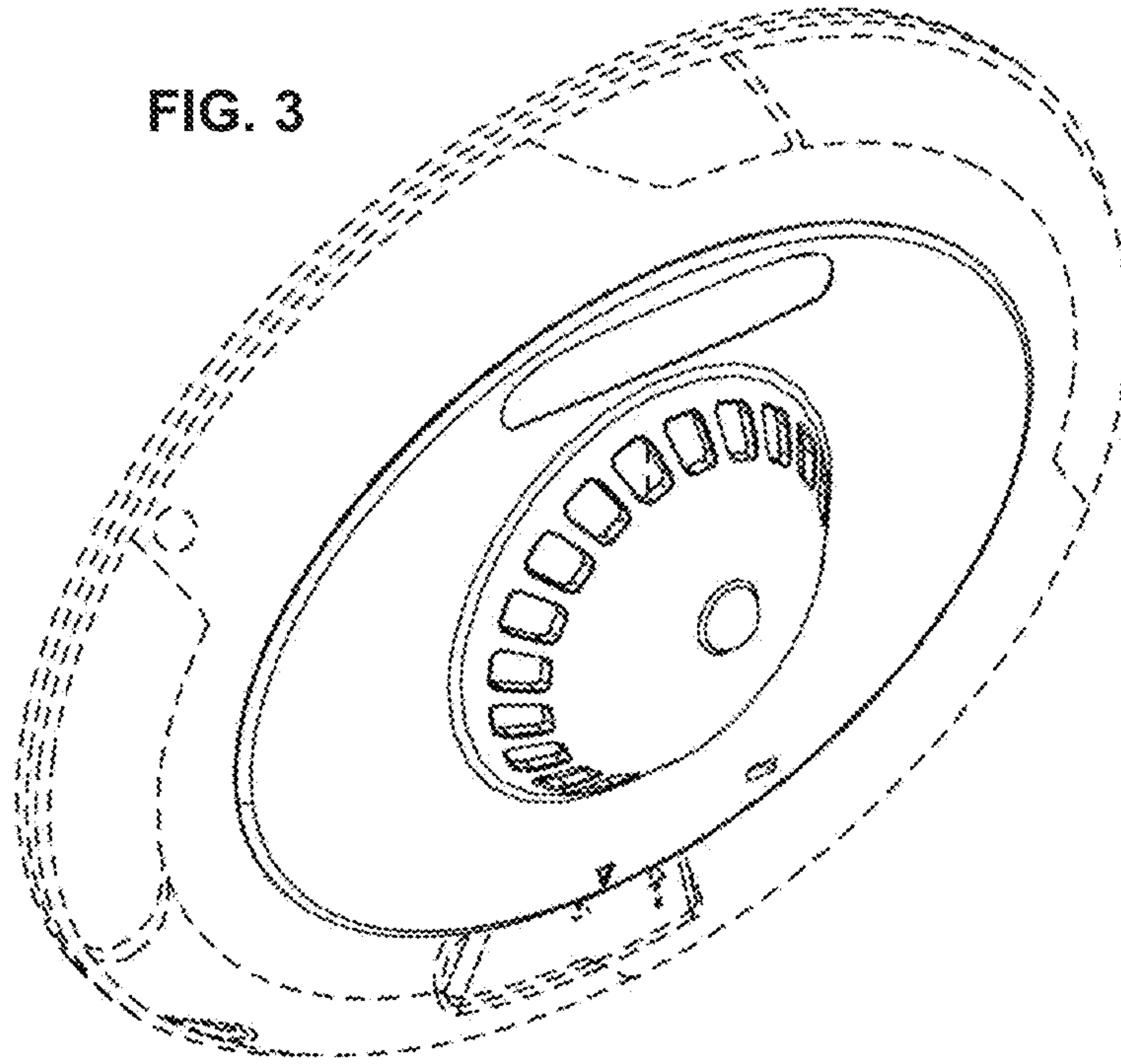


FIG. 4

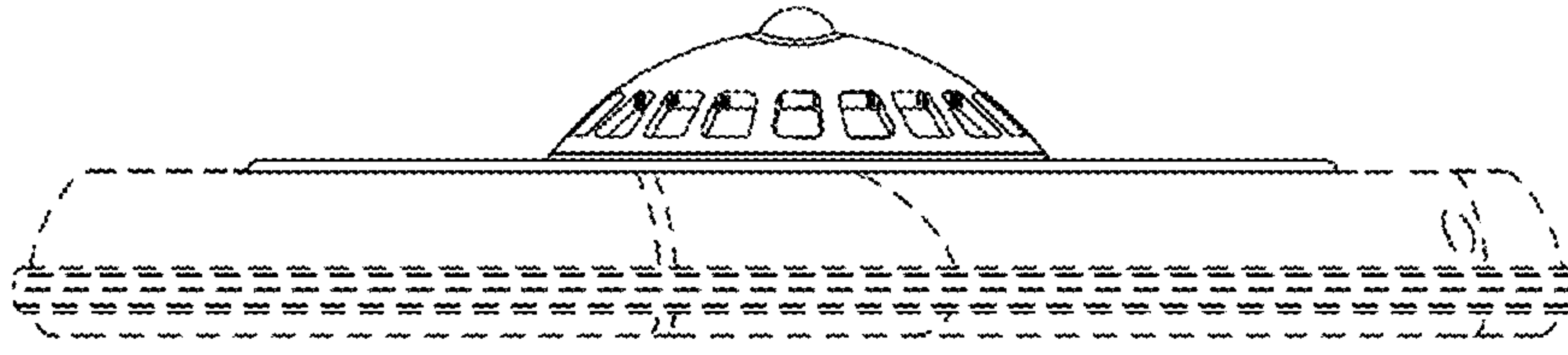


FIG. 5

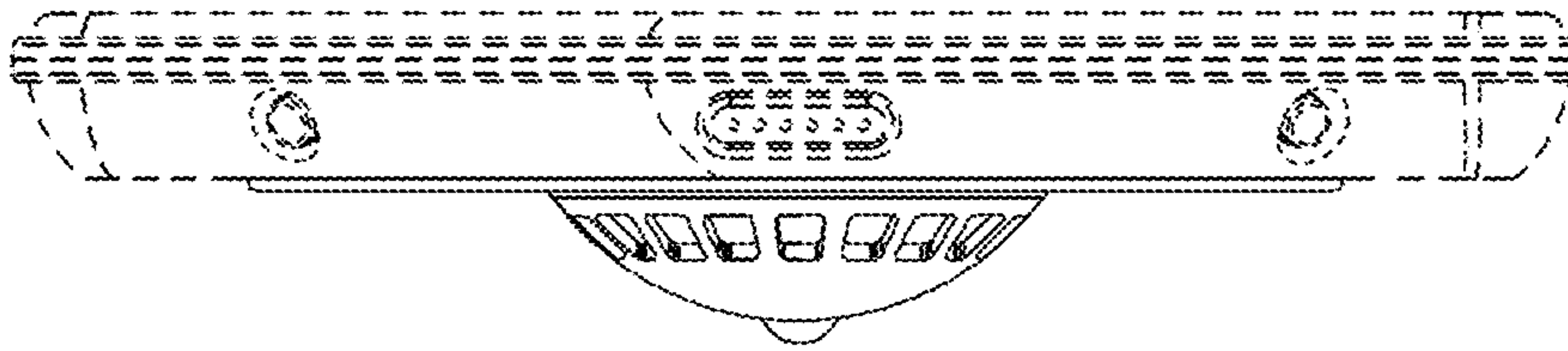


FIG. 6

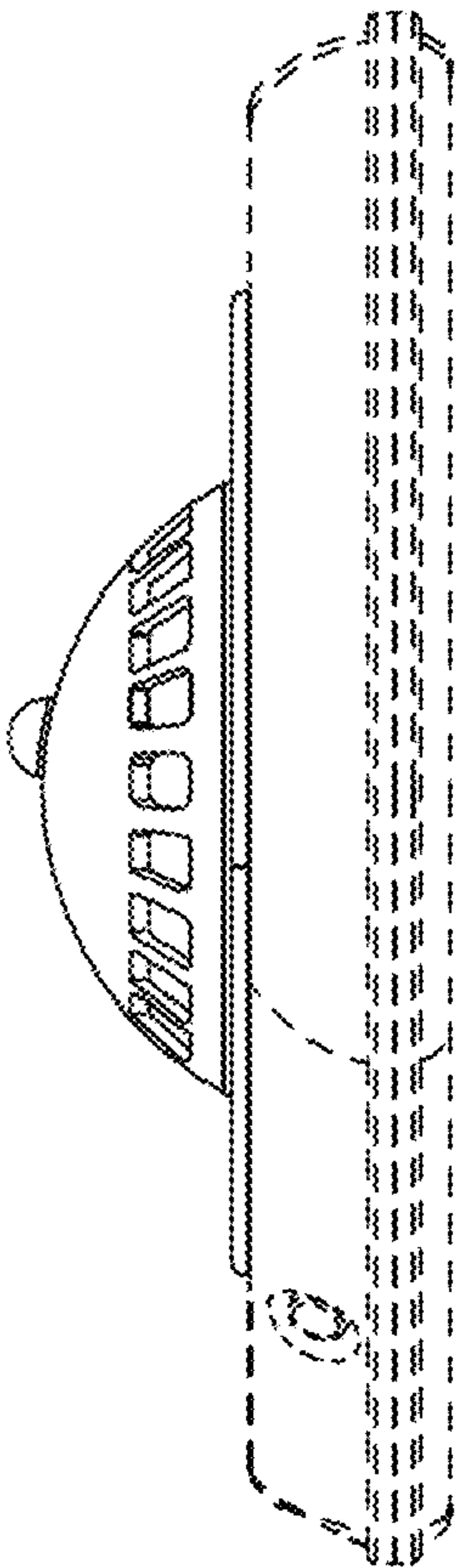


FIG. 7

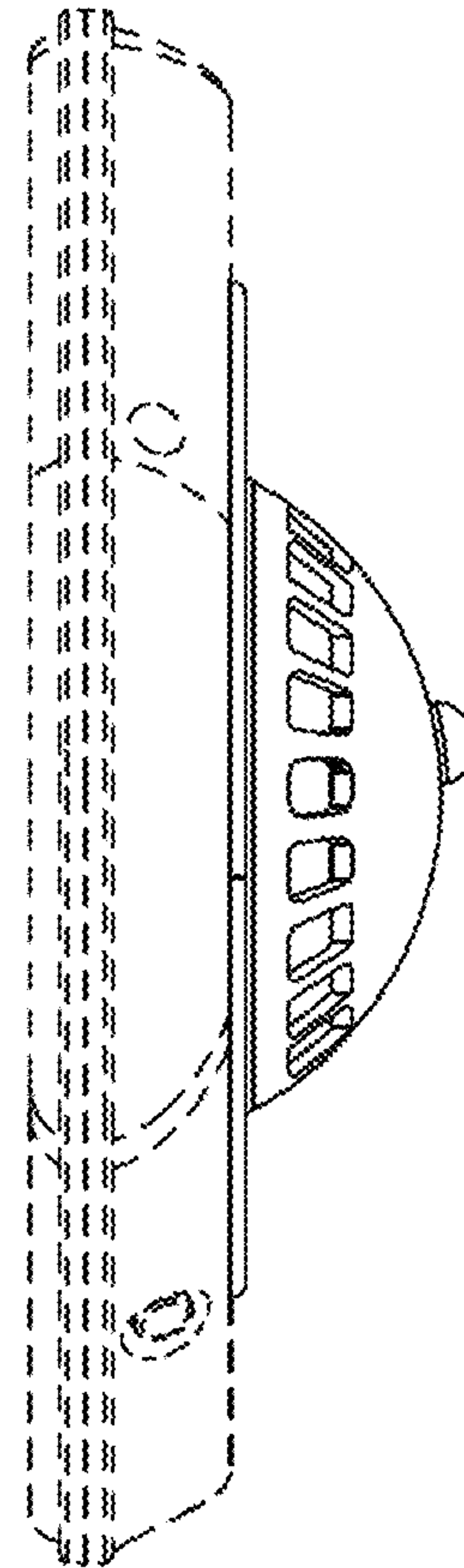


FIG. 8