



US00D788099S

(12) **United States Design Patent** (10) **Patent No.:** **US D788,099 S**  
**Ahn et al.** (45) **Date of Patent:** **\*\* May 30, 2017**

(54) **ELECTRONIC DEVICE**

1/0281; H04M 1/0283; H04M 1/0214;  
H04M 1/0264; H04M 1/72544

(71) Applicant: **Samsung Electronics, Ltd**, Suwon-Si (KR)

See application file for complete search history.

(72) Inventors: **Dae Kyung Ahn**, Namyangjusi (KR); **Chul-Yong Cho**, Seoul (KR); **Sangmin Hyun**, Seoul (KR); **Eun Vit Chung**, Seoul (KR)

(56) **References Cited**

U.S. PATENT DOCUMENTS

D391,987 S *	3/1998	Jambhekar .....	D14/315
D428,004 S *	7/2000	Colvin .....	D14/345
D507,567 S *	7/2005	Yonekawa .....	D14/345
D606,993 S *	12/2009	Watson .....	D14/341
D649,969 S *	12/2011	Ferrari et al. ....	D14/346
D650,780 S *	12/2011	Rashid .....	D14/341
D650,781 S *	12/2011	Rashid .....	D14/341
D658,173 S *	4/2012	Kim .....	D14/345
D670,693 S *	11/2012	Li .....	D14/341

(Continued)

(73) Assignee: **Samsung Electronics Co., Ltd.**, Suwon-si (KR)

(\*\*) Term: **14 Years**

*Primary Examiner* — Eric Goodman

*Assistant Examiner* — Clese Moore, Jr.

(21) Appl. No.: **29/472,107**

(74) *Attorney, Agent, or Firm* — NSIP Law

(22) Filed: **Nov. 8, 2013**

(30) **Foreign Application Priority Data**

May 10, 2013 (KR) ..... 30-2013-0024850

(51) **LOC (10) Cl.** ..... **14-02**

(52) **U.S. Cl.**  
USPC ..... **D14/341**

(57) **CLAIM**

The ornamental design for an electronic device, as shown and described.

(58) **Field of Classification Search**

USPC ..... D14/341-347, 137, 138 R, 138 AA, D14/138 C, 138 G, 496, 203.1, 203.3, D14/203.4, 203.7, 129, 130, 147, 218, D14/247, 248, 250, 374, 371, 385, 388, D14/389, 315-318, 420, 426, 439; D6/308, 310; D10/65, 104.1; D19/26, D19/59, 60; D21/324, 329, 330, 332; 248/917-924; 463/37; 455/556.1, 556.2, 455/566, 575.1, 90.3; 379/433.04, 379/433.01, 433.06, 916; 345/173, 901, 345/905; 348/376; 361/679.26, 679.27, 361/679.3, 679.55, 679.56, 679.59, 361/679.21

CPC .... G06F 1/1613; G06F 1/1624; G06F 1/1626; G06F 1/165; G06F 3/0485; G06F 3/0488; H04M 1/0202; H04M 1/0279; H04M

**DESCRIPTION**

FIG. 1 is a front perspective view of an electronic device showing our new design;

FIG. 2 is a front view thereof;

FIG. 3 is a rear view thereof;

FIG. 4 is a left-side view thereof;

FIG. 5 is a right-side view thereof;

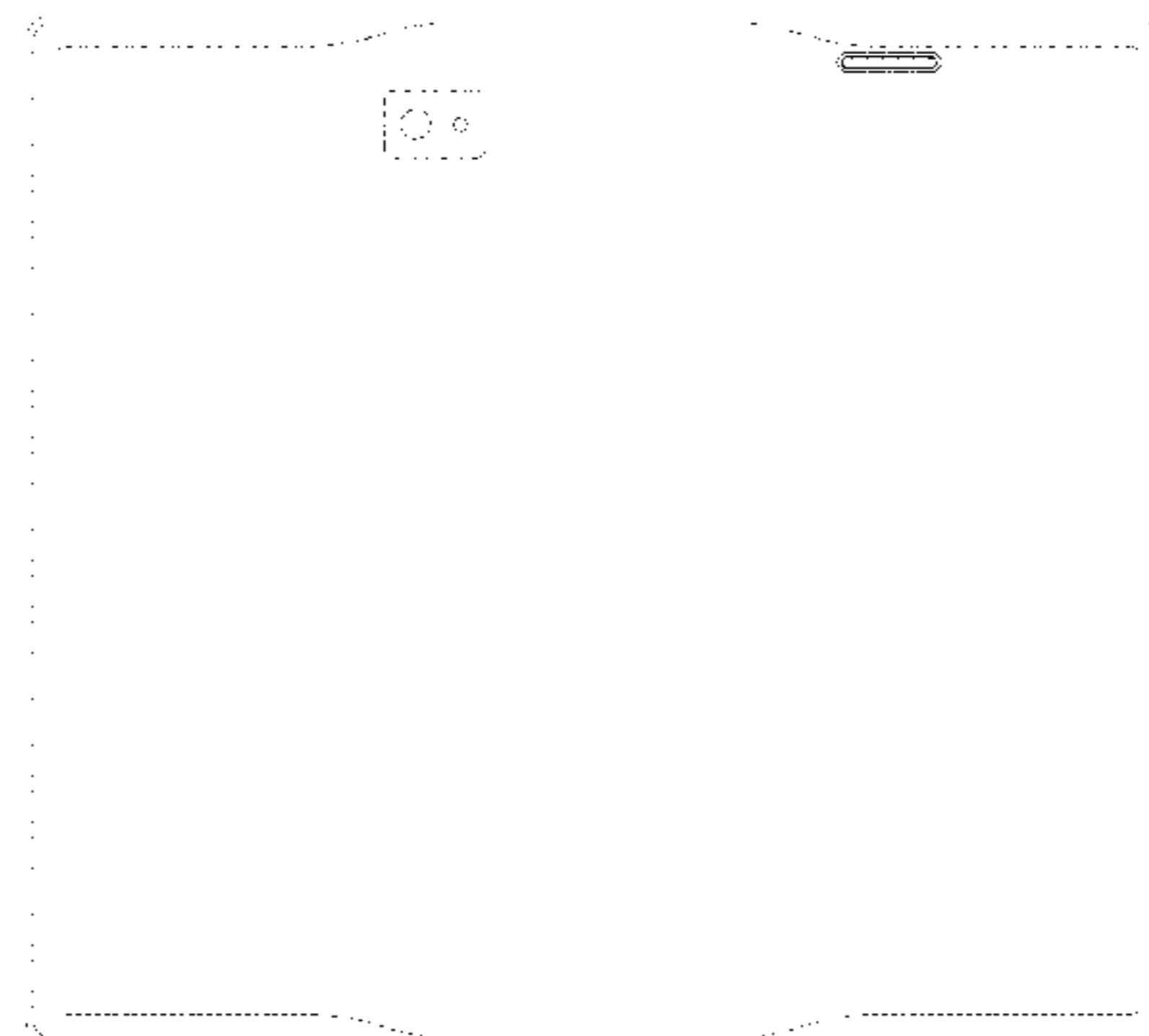
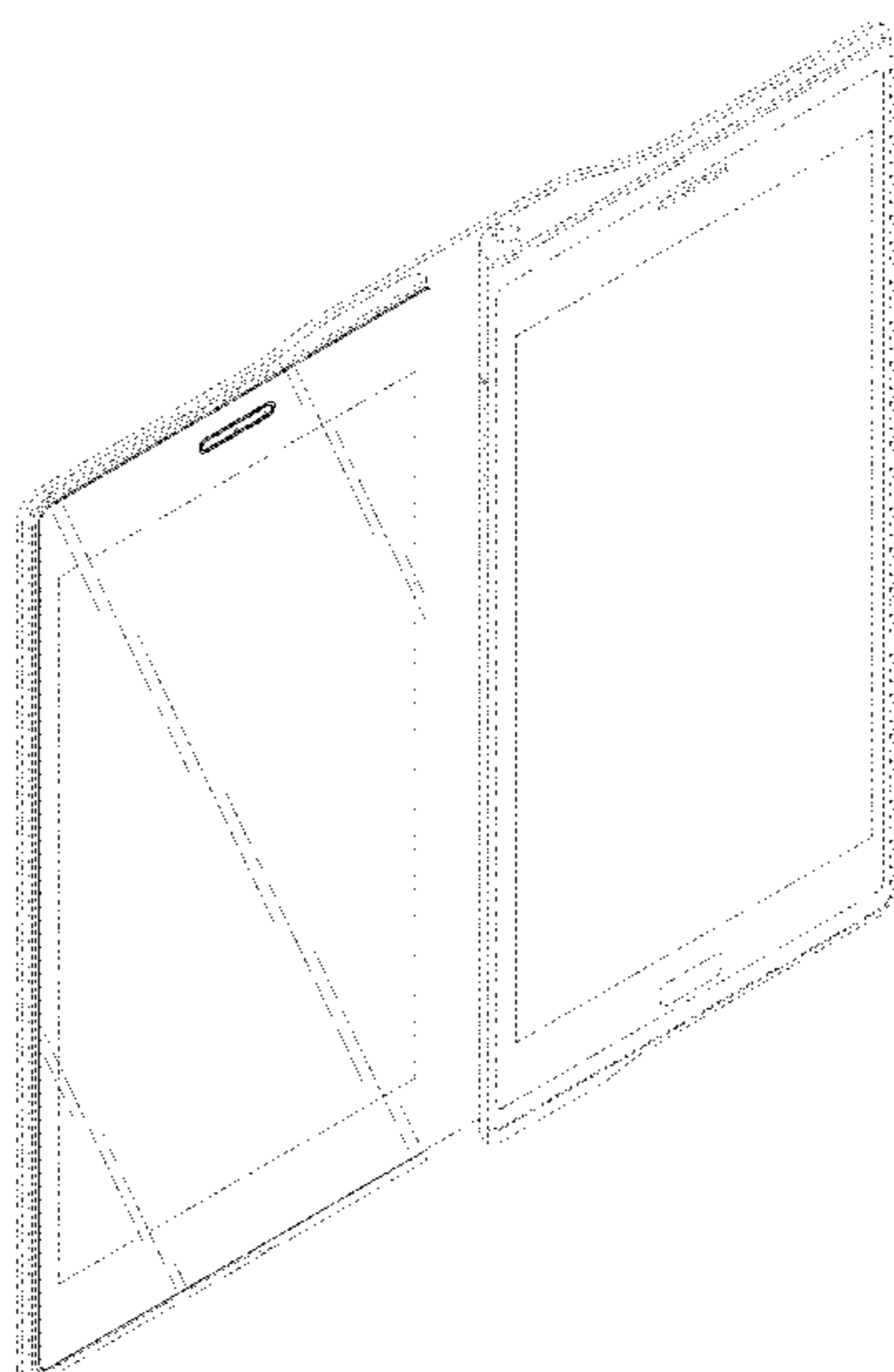
FIG. 6 is a top plan view thereof; and,

FIG. 7 is a bottom plan view thereof.

The broken lines shown in the drawings illustrate portions of the electronic device that form no part of the claimed design.

The dot-dash lines in the drawing figures represent an unclaimed boundary line and form no part of the claimed design.

**1 Claim, 6 Drawing Sheets**



(56)

## References Cited

## U.S. PATENT DOCUMENTS

D674,383 S \* 1/2013 Andre et al. .... D14/341  
8,405,978 B2 \* 3/2013 Okutsu ..... G06F 1/1643  
16/326  
D680,527 S \* 4/2013 Reeves et al. .... D14/341  
D680,528 S \* 4/2013 Reeves et al. .... D14/341  
D680,529 S \* 4/2013 Reeves et al. .... D14/341  
D680,532 S \* 4/2013 Reeves et al. .... D14/345  
D681,591 S \* 5/2013 Sung ..... D14/138 G  
D681,633 S \* 5/2013 Reeves et al. .... D14/345  
D684,571 S \* 6/2013 Akana et al. .... D14/341  
D687,034 S \* 7/2013 Reeves et al. .... D14/345  
D687,035 S \* 7/2013 Reeves et al. .... D14/345  
D691,997 S \* 10/2013 Park et al. .... D14/374  
D693,323 S \* 11/2013 Kawase ..... D14/138 AB  
D696,247 S \* 12/2013 Kim ..... D14/341  
D708,180 S \* 7/2014 Lee et al. .... D14/345  
D708,609 S \* 7/2014 Lee et al. .... D14/345  
D708,610 S \* 7/2014 Ahn et al. .... D14/345  
D710,353 S \* 8/2014 Ahn et al. .... D14/345  
D710,354 S \* 8/2014 Ahn et al. .... D14/345  
D712,900 S \* 9/2014 Miki et al. .... D14/345  
D716,800 S \* 11/2014 Lee et al. .... D14/345  
D724,078 S \* 3/2015 Andre et al. .... D14/341  
D729,812 S \* 5/2015 Ahn et al. .... D14/440  
D731,481 S \* 6/2015 Akana et al. .... D14/341  
2006/0214919 A1 \* 9/2006 Moore ..... B43L 1/00  
345/173

\* cited by examiner

FIG. 1

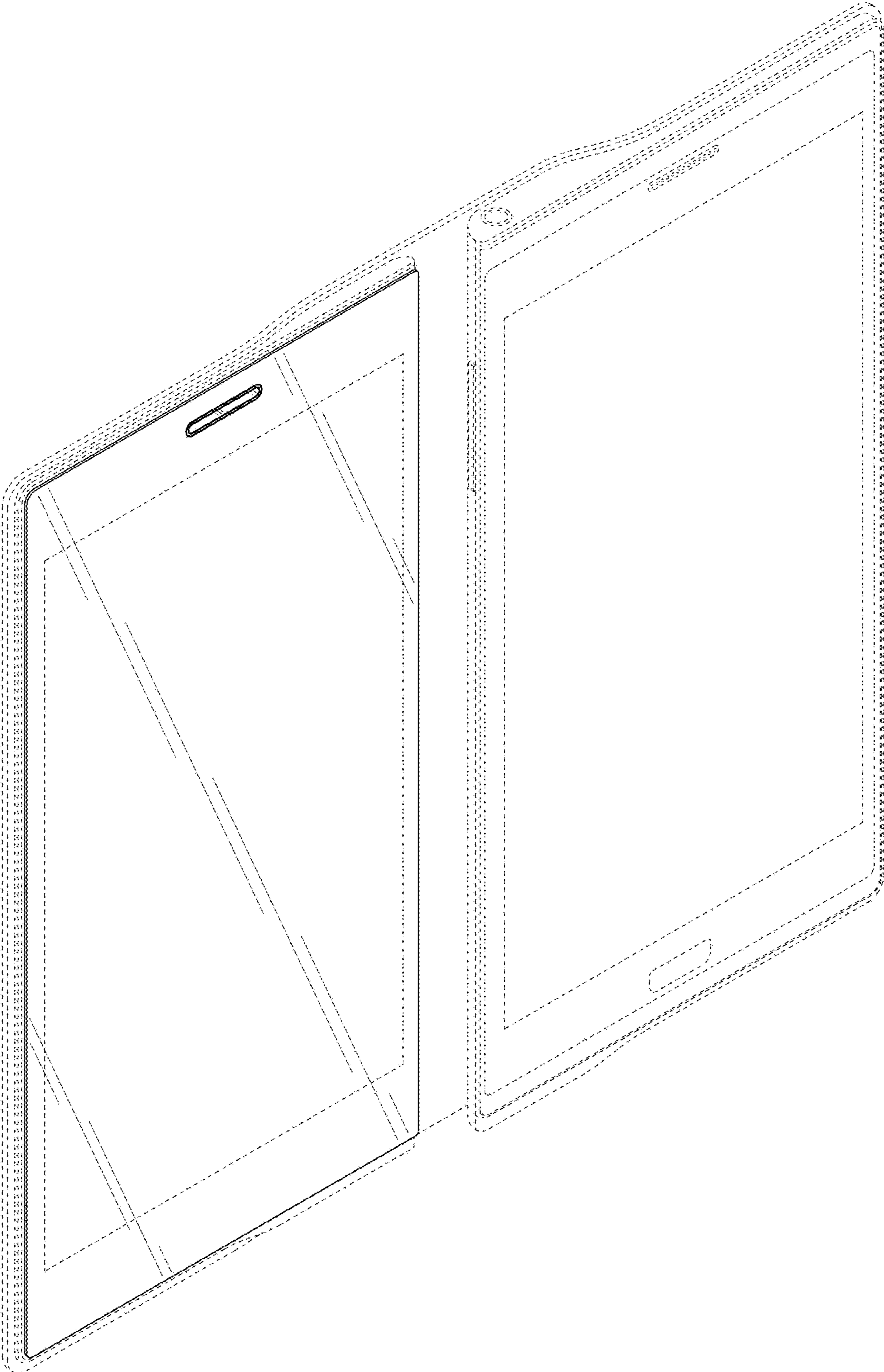


FIG. 2

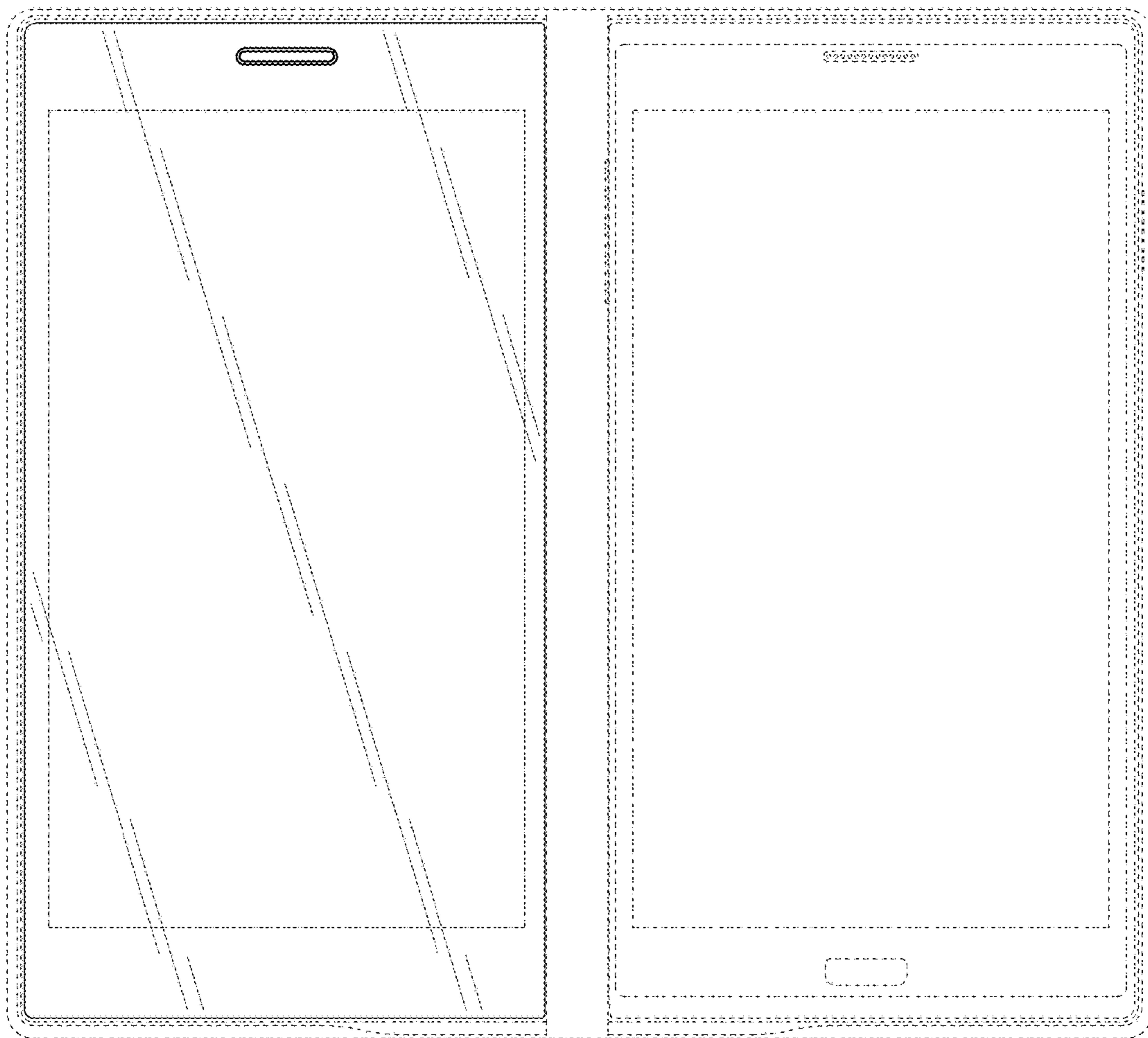


FIG. 3

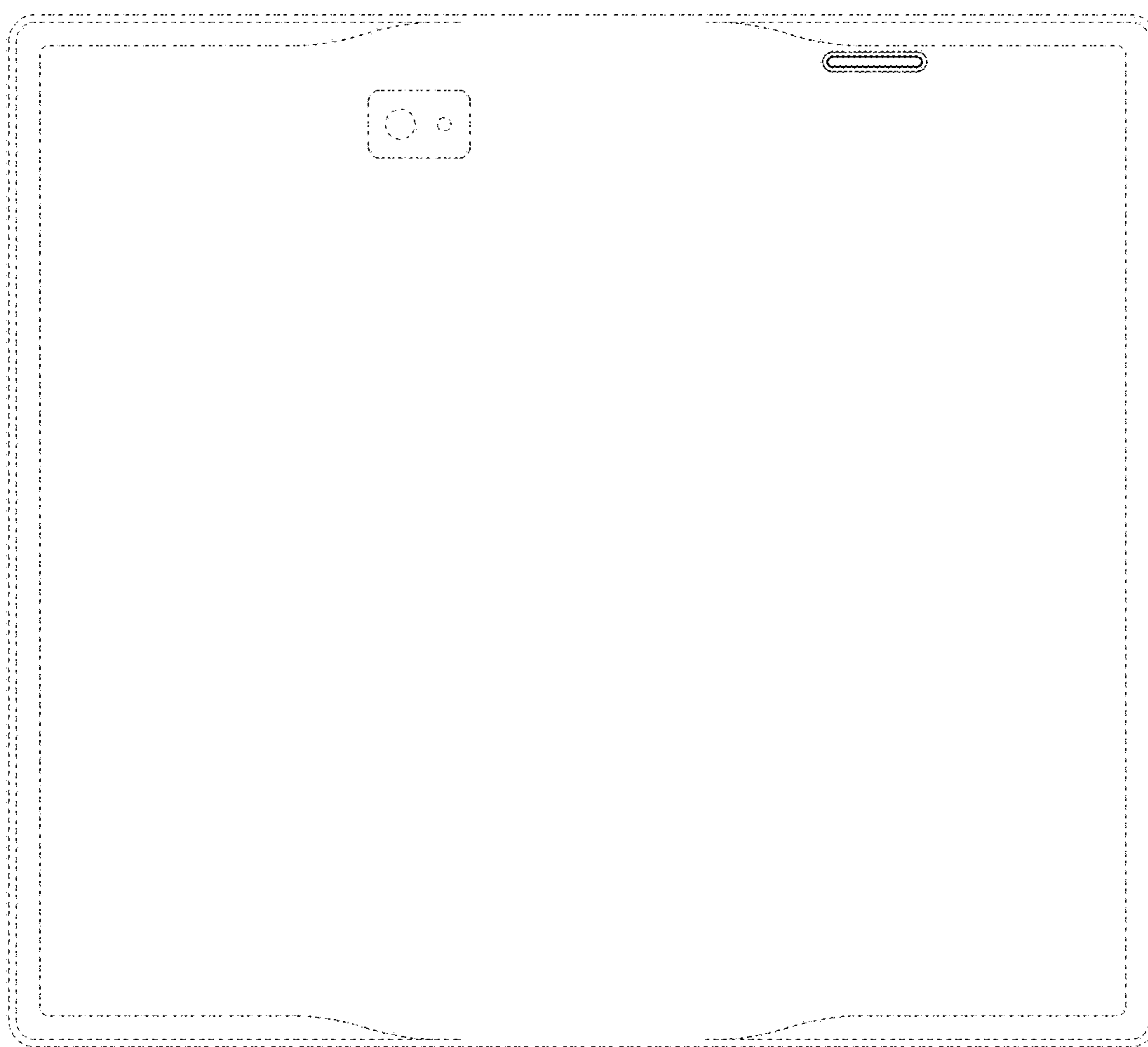


FIG. 4

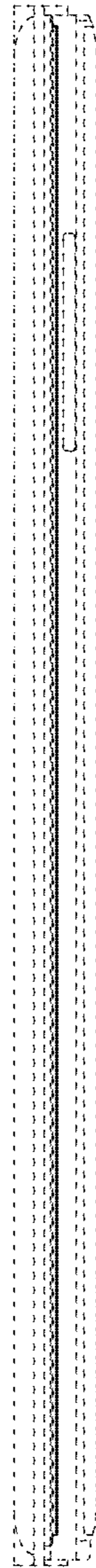


FIG. 5

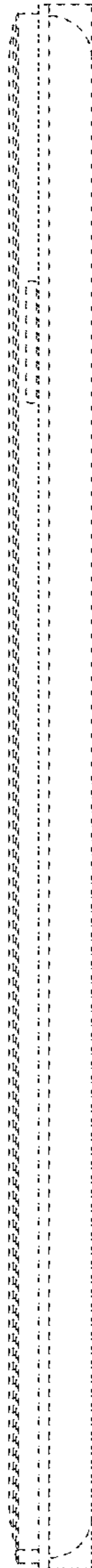


FIG. 6

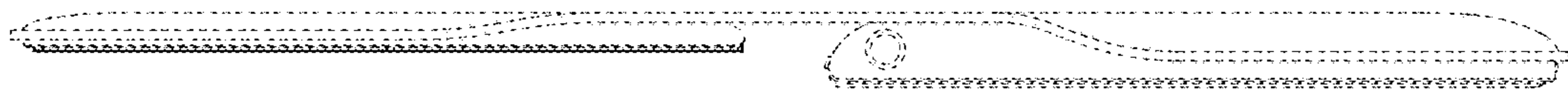


FIG. 7

