



US00D788098S

(12) **United States Design Patent** (10) **Patent No.:** **US D788,098 S**
Thornton et al. (45) **Date of Patent:** **** May 30, 2017**

(54) **INTERACTIVE KIOSK WITH 3-D MECHANISM**
(71) Applicant: **ProVision Interactive Technologies, Inc.**, Chatsworth, CA (US)
(72) Inventors: **Curt Thornton**, Simi Valley, CA (US); **Jeff Vrachan**, Agoura Hills, CA (US)
(73) Assignee: **Provision Interactive Technologies, Inc.**, Chatsworth, CA (US)

D727,308 S * 4/2015 Kraft D14/307
D732,520 S * 6/2015 Themann D14/307
D734,315 S * 7/2015 Masuda D14/307
D737,808 S * 9/2015 Naumann D14/307
D742,870 S * 11/2015 Berini G06F 21/32
D14/307
D743,956 S * 11/2015 Kraft D14/307
D751,061 S * 3/2016 Berini D14/307
D752,032 S * 3/2016 Taylor D14/307
D760,711 S * 7/2016 Berini D14/307
D762,635 S * 8/2016 Szeredi D14/307
D769,864 S * 10/2016 Hoffmann D14/307

(**) Term: **15 Years**

(21) Appl. No.: **29/565,861**

(22) Filed: **May 25, 2016**

(51) **LOC (10) Cl.** **14-02**

(52) **U.S. Cl.**
USPC **D14/307**

(58) **Field of Classification Search**
USPC D14/302-307, 900-902; D13/163;
D20/10; D21/332, 325, 369, 370;
D99/28; D6/397, 466; 194/206;
361/679.01, 679.02, 679.04, 679.21,
361/679.57, 725
CPC G06Q 20/18; G06Q 20/10; G06Q 20/123;
G06Q 20/20; G06Q 30/02; G06Q 30/06;
A47F 9/047

See application file for complete search history.

(56) **References Cited**

U.S. PATENT DOCUMENTS

D705,213 S * 5/2014 Smith D14/307
D707,674 S * 6/2014 Daniel D14/307
D723,538 S * 3/2015 Catoe D14/307
D727,307 S * 4/2015 Kraft D14/307

* cited by examiner

Primary Examiner — Austin Murphy

(74) *Attorney, Agent, or Firm* — Andrew S. Langsam;
Pryor Cashman LLP

(57) **CLAIM**

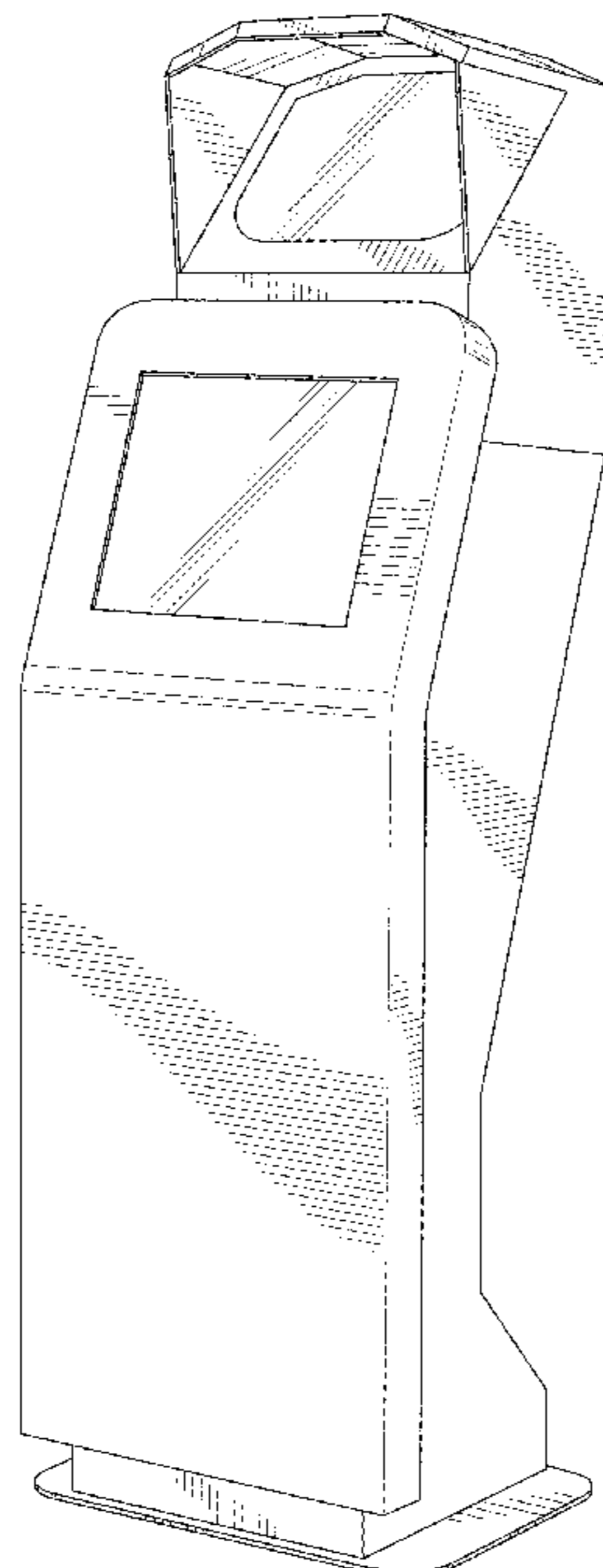
The ornamental design for an interactive kiosk with 3-D mechanism, as shown and described.

DESCRIPTION

FIG. 1 is a front and side perspective view of the interactive kiosk with 3-D mechanism of the present invention; FIG. 2 is a front elevational view thereof; FIG. 3 is a rear elevational view thereof; FIG. 4 is a left side elevational view thereof; FIG. 5 is a right side elevational view thereof; FIG. 6 is top plan view thereof; and, FIG. 7 is a bottom plan view of the present invention.

The broken lines shown in FIG. 3 are included for the purpose of illustrating the environmental structure, specifically, an outlet for an electrical plug for attaching the device to a source of electricity and form no part of the claimed design.

1 Claim, 6 Drawing Sheets



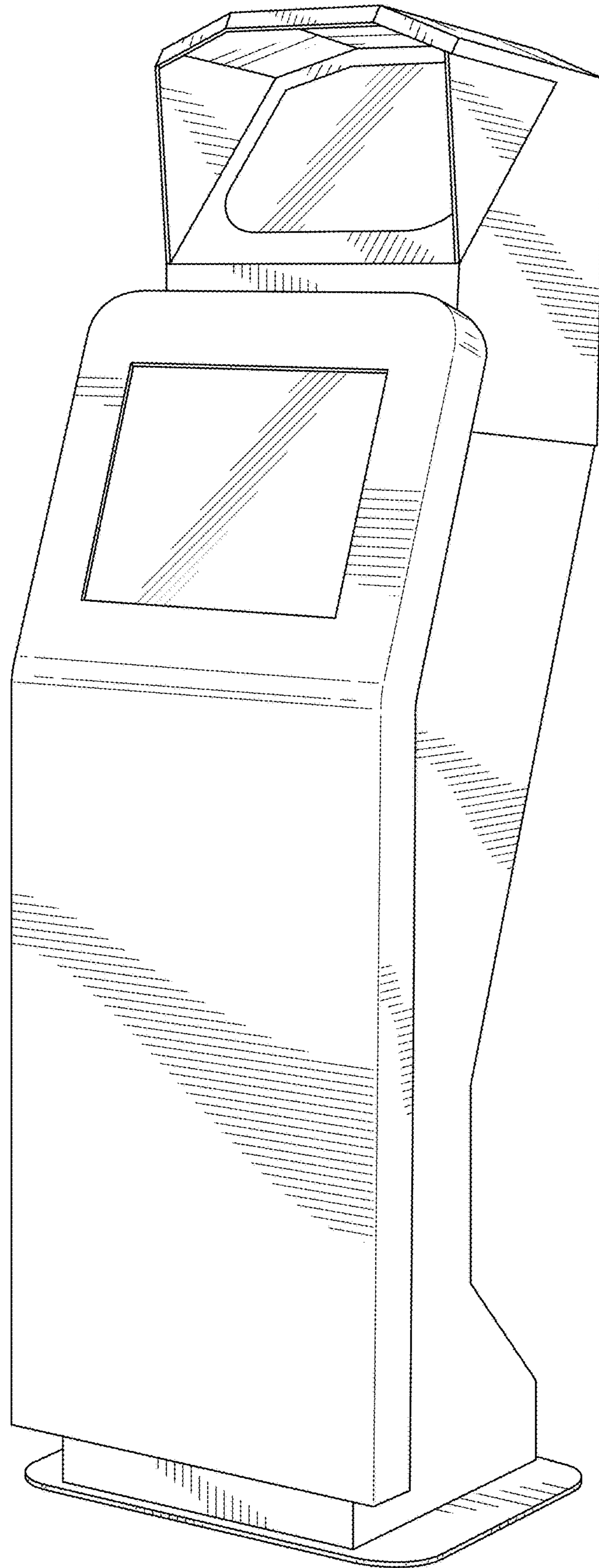


FIG. 1

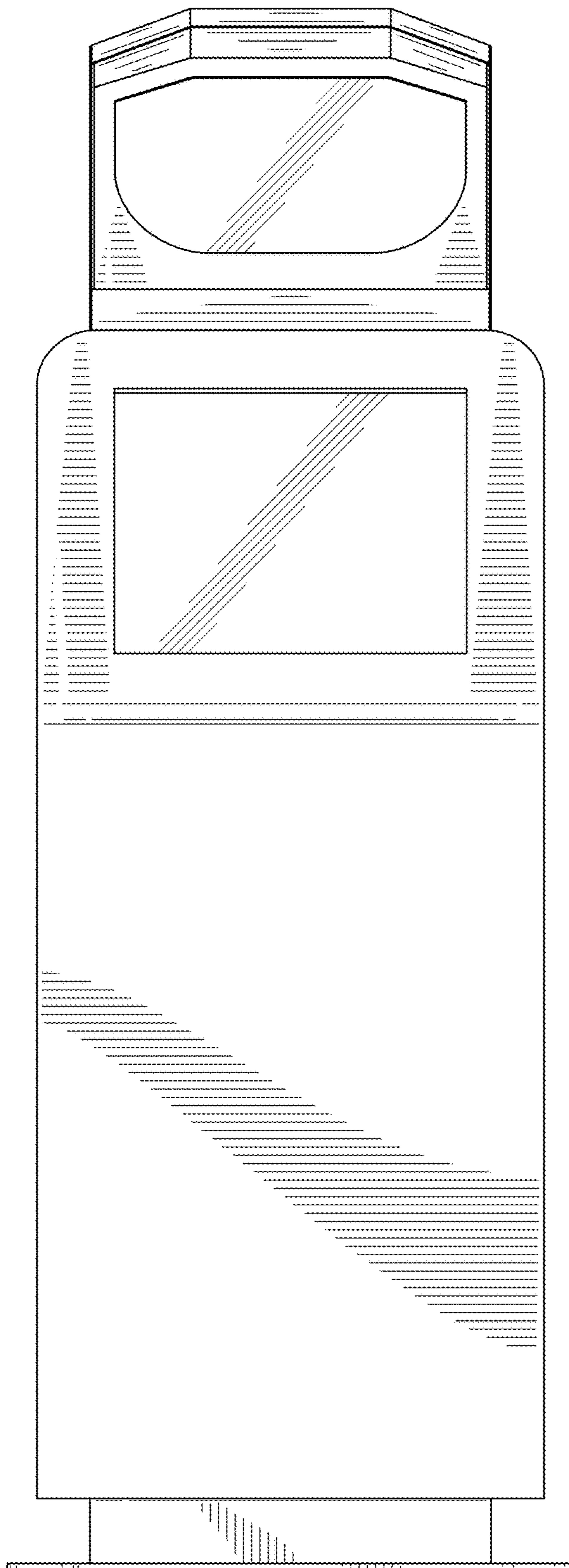


FIG. 2

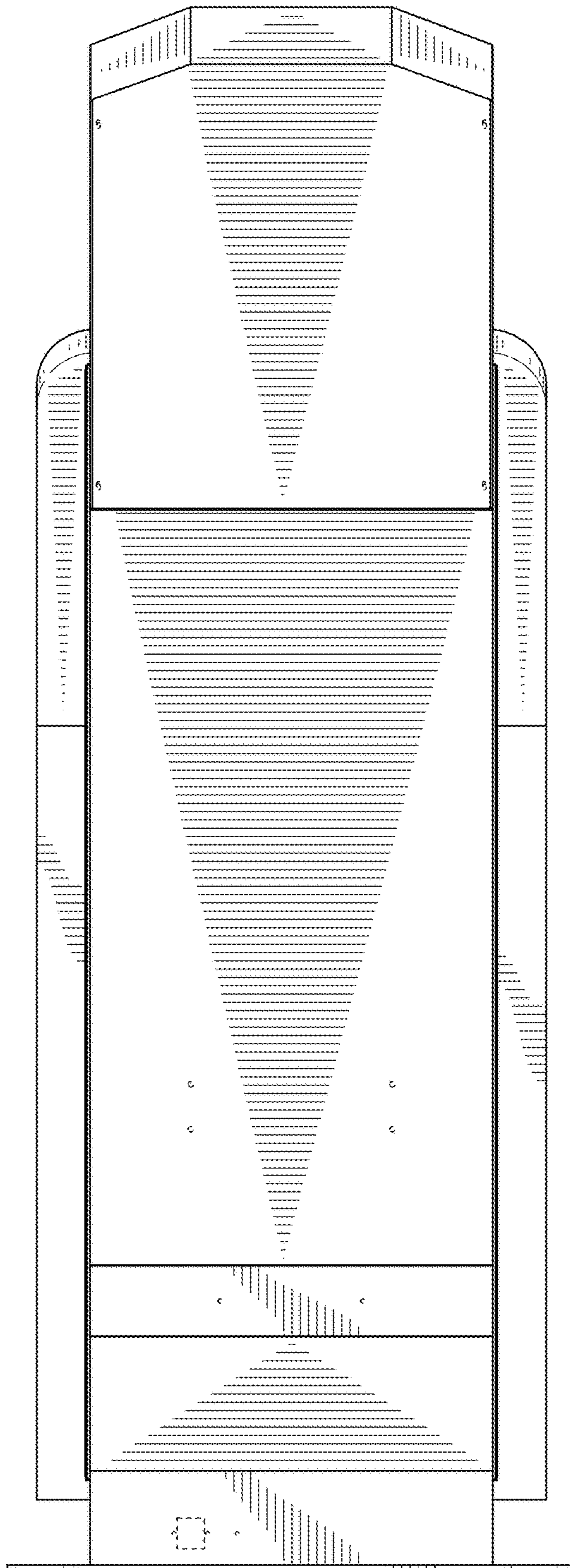


FIG. 3

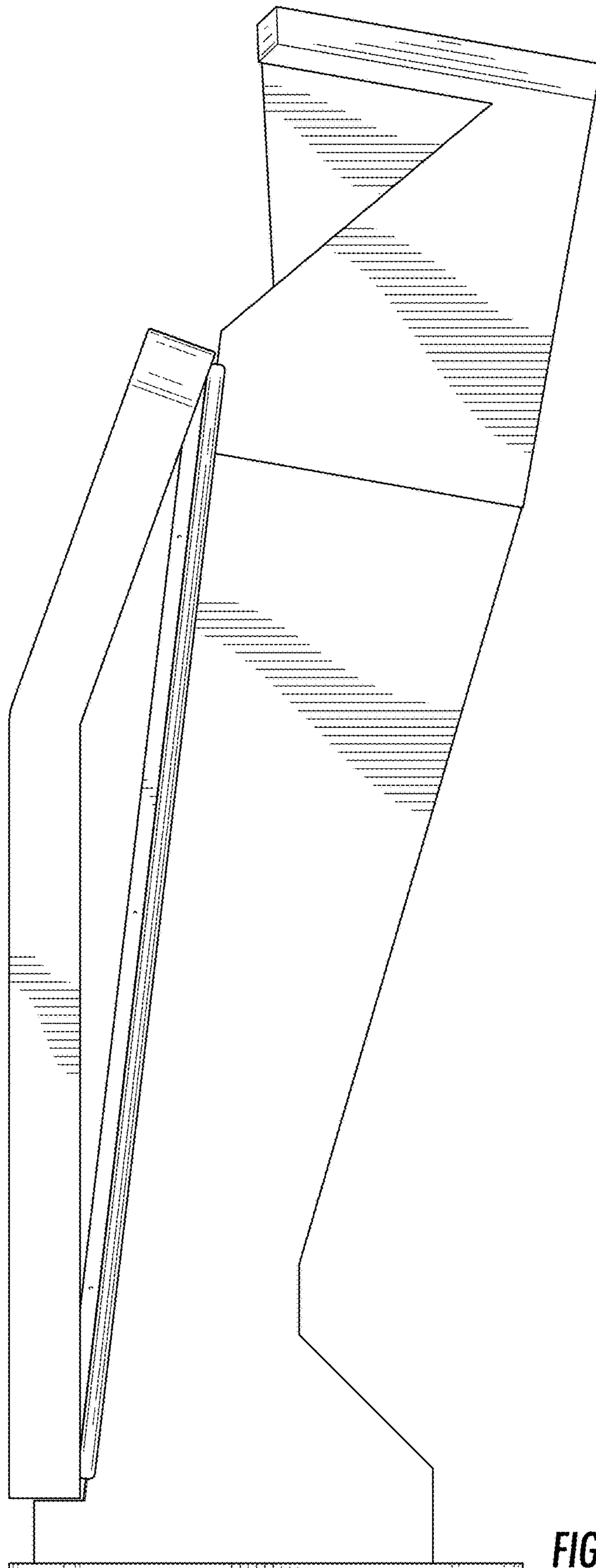


FIG. 4

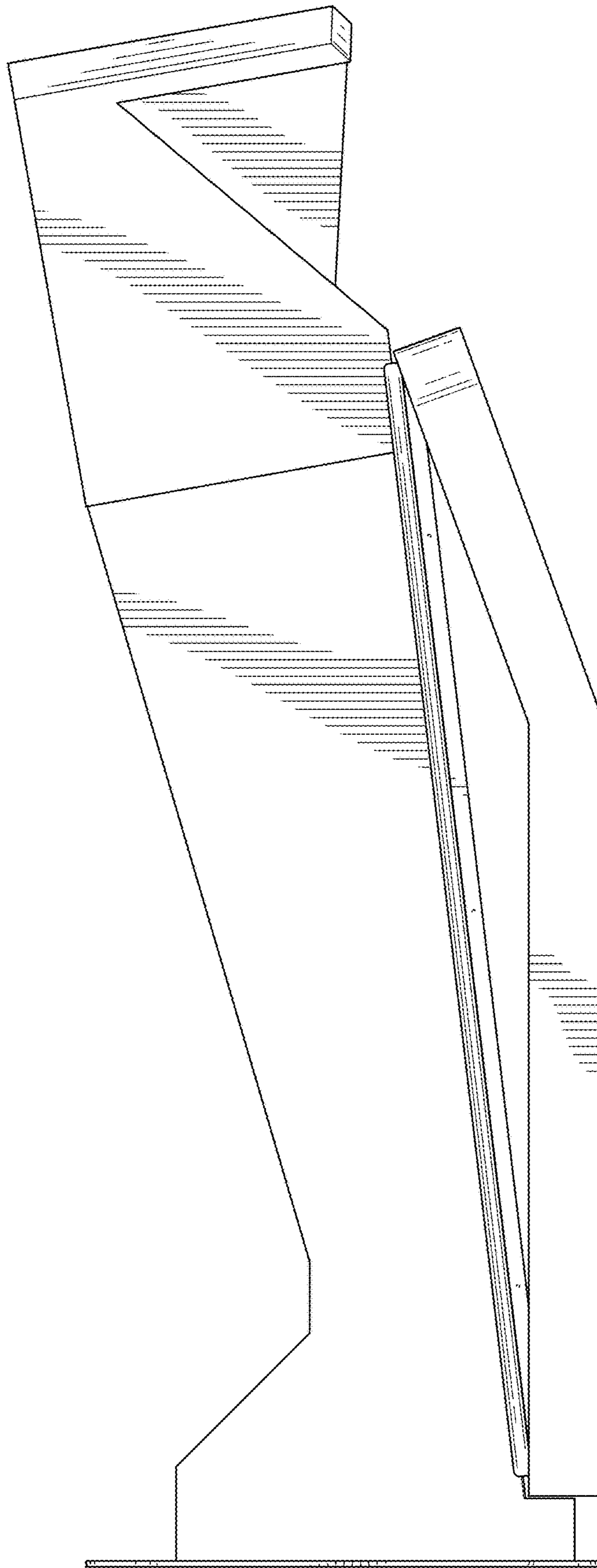


FIG. 5

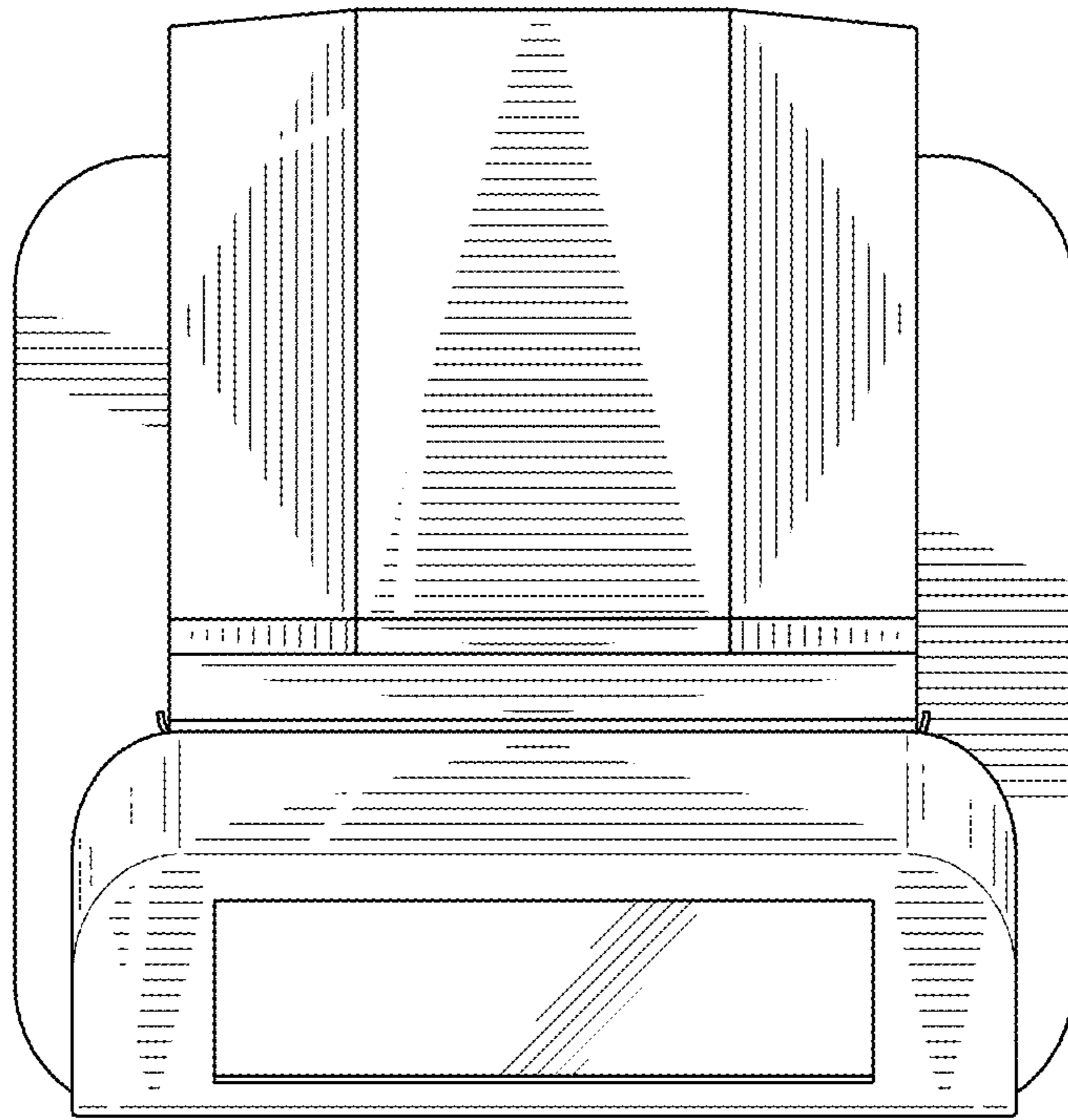


FIG. 6

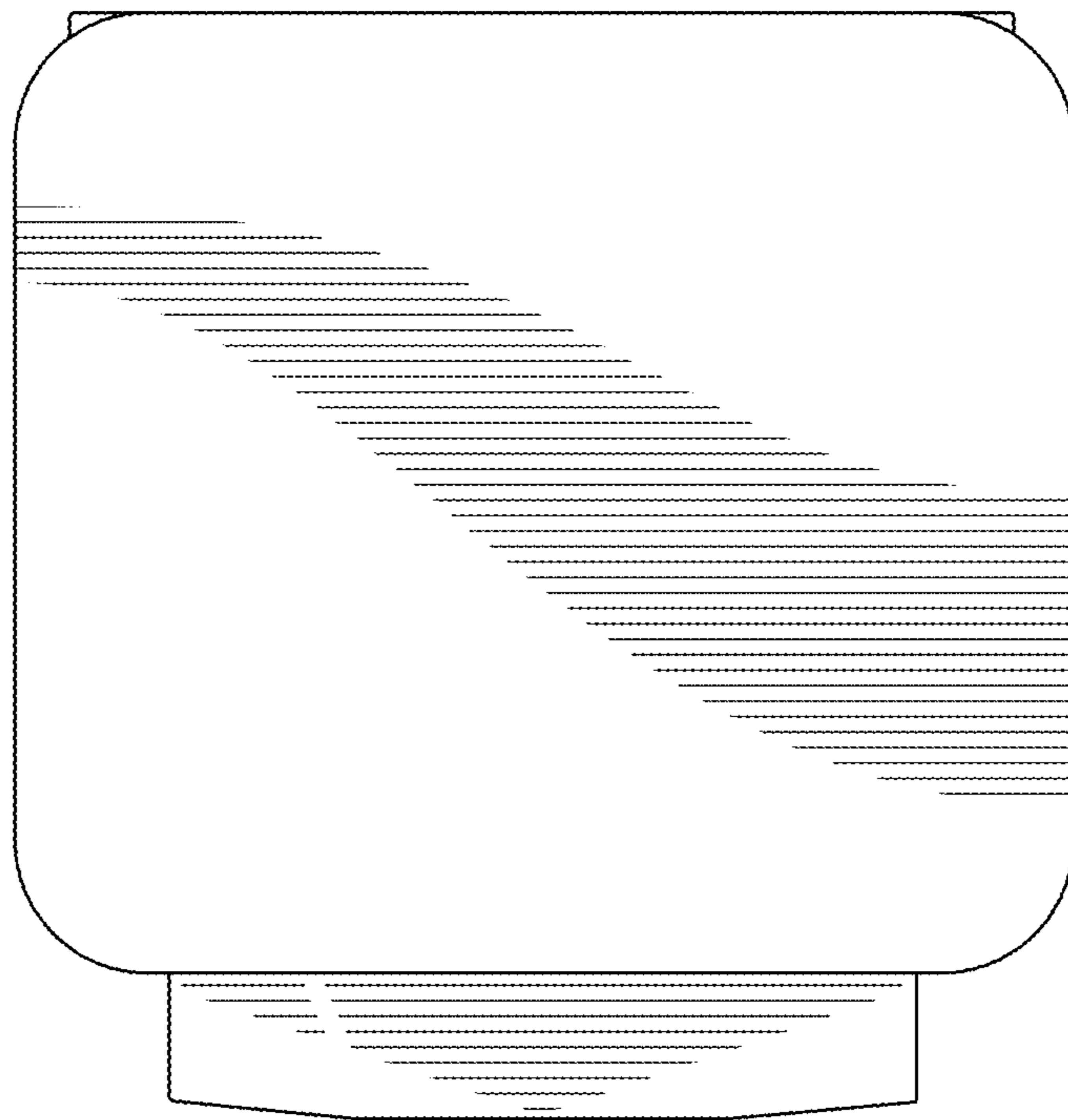


FIG. 7