



US00D788094S

(12) **United States Design Patent**
Kim et al.

(10) **Patent No.:** **US D788,094 S**

(45) **Date of Patent:** **** May 30, 2017**

(54) **STAND FOR WRIST-WORN ELECTRONIC DEVICE**

(71) Applicants: **Dae-Young Kim**, Seoul (KR); **Bum Joon Lee**, Seoul (KR)

(72) Inventors: **Dae-Young Kim**, Seoul (KR); **Bum Joon Lee**, Seoul (KR)

(73) Assignee: **SPIGEN KOREA CO., LTD.**, Geumcheon-Gu, Seoul (KR)

(**) Term: **14 Years**

(21) Appl. No.: **29/523,592**

(22) Filed: **Apr. 10, 2015**

(51) **LOC (10) Cl.** **14-03**

(52) **U.S. Cl.**
USPC **D14/253**; D14/250; D14/251

(58) **Field of Classification Search**
USPC D3/218; D6/406.3, 406.4, 406.5, 406.6, D6/680.2, 684, 551-552, 554, 556, 607,
(Continued)

(56) **References Cited**

U.S. PATENT DOCUMENTS

- 3,964,709 A * 6/1976 LaBelle A45D 34/00 211/73
 - D280,263 S * 8/1985 Hoye D12/419
- (Continued)

OTHER PUBLICATIONS

Alibaba | Products | Consumer Electronics | Mobile Phone & Accessories | Mobile Phone Holders (370228), posted on Jun. 15, 2016, © 1999-2016 Alibaba [online], [site visited Sep. 14, 2016]. Available from Internet, <URL: https://www.alibaba.com/product-detail/new-arrival-nano-micro-suction-mobile_60253706490.html>.*

(Continued)

Primary Examiner — Philip S Hyder
Assistant Examiner — Cary M Robinson

(74) *Attorney, Agent, or Firm* — East West Law Group; Heedong Chae

(57) **CLAIM**

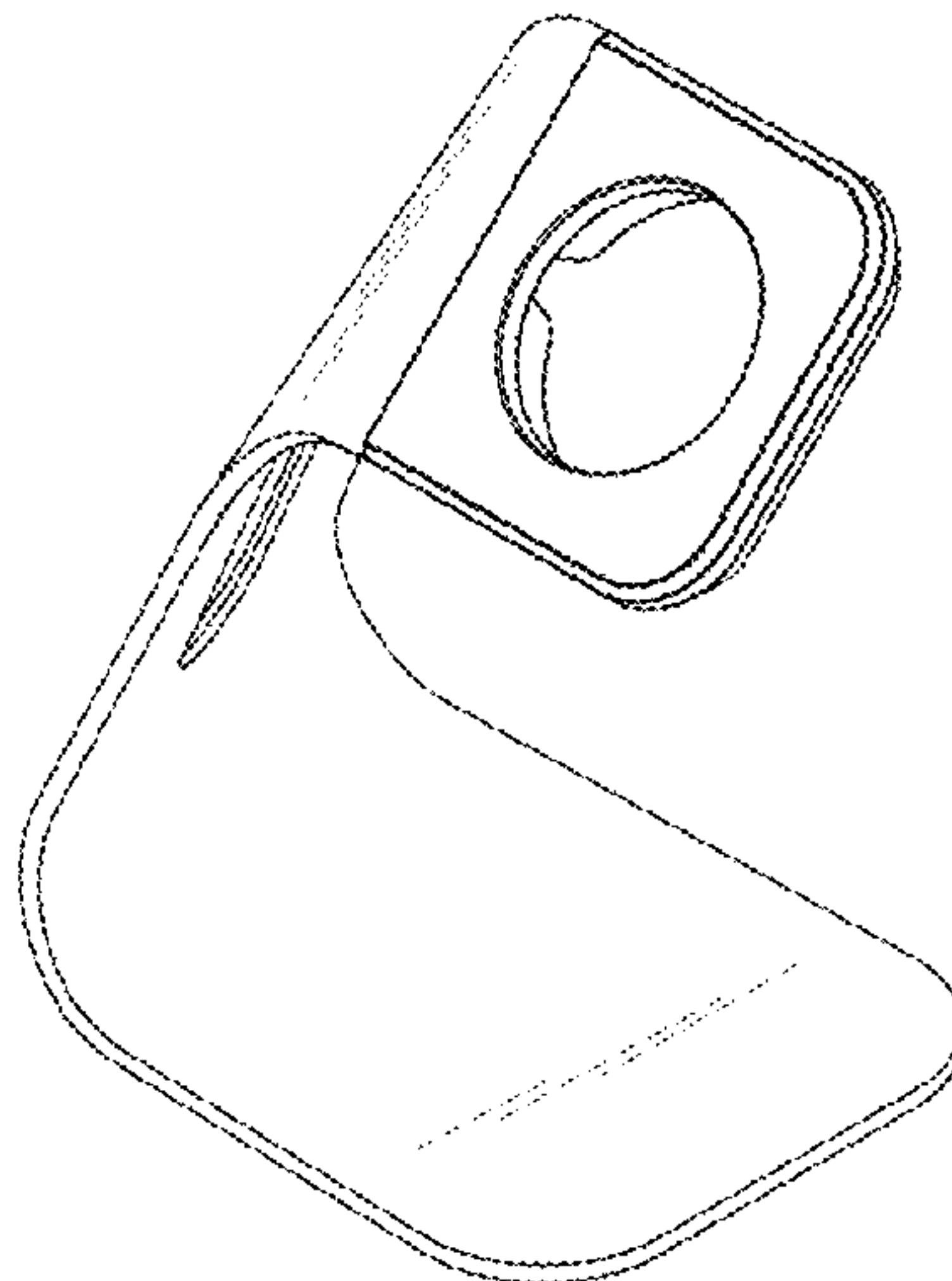
The ornamental design for a stand for wrist-worn electronic device, as shown and described.

DESCRIPTION

FIG. 1 is a front perspective view of a stand, having a supporting member and an electronic device holder, for wrist-worn electronic device showing my new design; FIG. 2 is a rear perspective view thereof; FIG. 3 is a front elevational view thereof; FIG. 4 is a rear elevational view thereof; FIG. 5 is a left side elevational view thereof; and FIG. 6 is a right side elevational view thereof; FIG. 7 is a top plan view thereof; FIG. 8 is a bottom plan view thereof; FIG. 9 is a front perspective view of the supporting member; FIG. 10 is a rear perspective view of the supporting member; FIG. 11 is a front perspective view of the electronic device holder; FIG. 12 is a rear perspective view of the electronic device holder; FIG. 13 is a front perspective view of the stand for wrist-worn electronic device in which the supporting member and the electronic device holder are shown separated for clarity of disclosure; and, FIG. 14 is a rear perspective view of the stand for wrist-worn electronic device in which the supporting member and the electronic device holder are shown separated for clarity of disclosure.

The broken lines illustrate portions of the stand for wrist-worn electronic device and form no part of the claimed design.

1 Claim, 14 Drawing Sheets



(58) **Field of Classification Search**

USPC D6/623; D8/70-73; D14/250-251, 253,
D14/432, 434, 439-440, 447, 451-452,
D14/457; D28/18
CPC A45C 2011/003; A45C 2011/002; A45C
13/002; A47B 2021/0307; A47B
2023/005; A47B 2023/049; A47B
2097/005; A47B 2097/006; A47B 21/04;
A47B 23/00; A47B 23/043; F16M
2200/00; H04B 1/3888; H04M 1/04;
H04M 1/185

See application file for complete search history.

(56) **References Cited**

U.S. PATENT DOCUMENTS

D310,520 S * 9/1990 Bedard D14/432
D556,363 S * 11/2007 Komar D26/106
D625,539 S * 10/2010 Kolada D6/552
D642,736 S * 8/2011 Reidy D28/18
D645,865 S * 9/2011 Diehl D14/299
D692,010 S * 10/2013 Verghese D14/447
D692,899 S * 11/2013 Bremenkamp D14/447

D737,830 S * 9/2015 Katopis D14/447
D743,955 S * 11/2015 Wu D14/253
D751,564 S * 3/2016 Hahn D14/447
D762,650 S * 8/2016 Dang D14/434

OTHER PUBLICATIONS

China Prices, posted on Nov. 23, 2015, [no copyright date posted] [online], [site visited Sep. 14, 2016]. Available from Internet, <URL: <http://chinaprices.net/?search=samsung+smart+watch>>.*
eBay | Wooden Charging Dock Stand Holder Desktop for Smartwatch/Smartphone/Tablet Light, last updated on Mar. 22, 2016, © 1995-2016 eBay, Inc. [online], [site visited Sep. 14, 2016]. Available from Internet, <URL: <http://www.ebay.co.uk/itm/Wooden-Charging-Dock-Stand-Holder-Desktop-for-Smartwatch-Smartphone-Tablet-Light-/291612064661>>.*
Szbros | Product | Cell Phone Accessories | SZBRO Smart Watch Charging Stand Dock Platform Holder Compatible for Apple Watch [38mm][42mm] Both Models (Green), posted on Apr. 24, 2015, © 2016 www.szbros.com [online], [site visited Sep. 14, 2016]. Available from Internet, <URL: <http://www.ebay.co.uk/itm/Wooden-Charging-Dock-Stand-Holder-Desktop-for-Smartwatch->>.*

* cited by examiner

FIG. 1

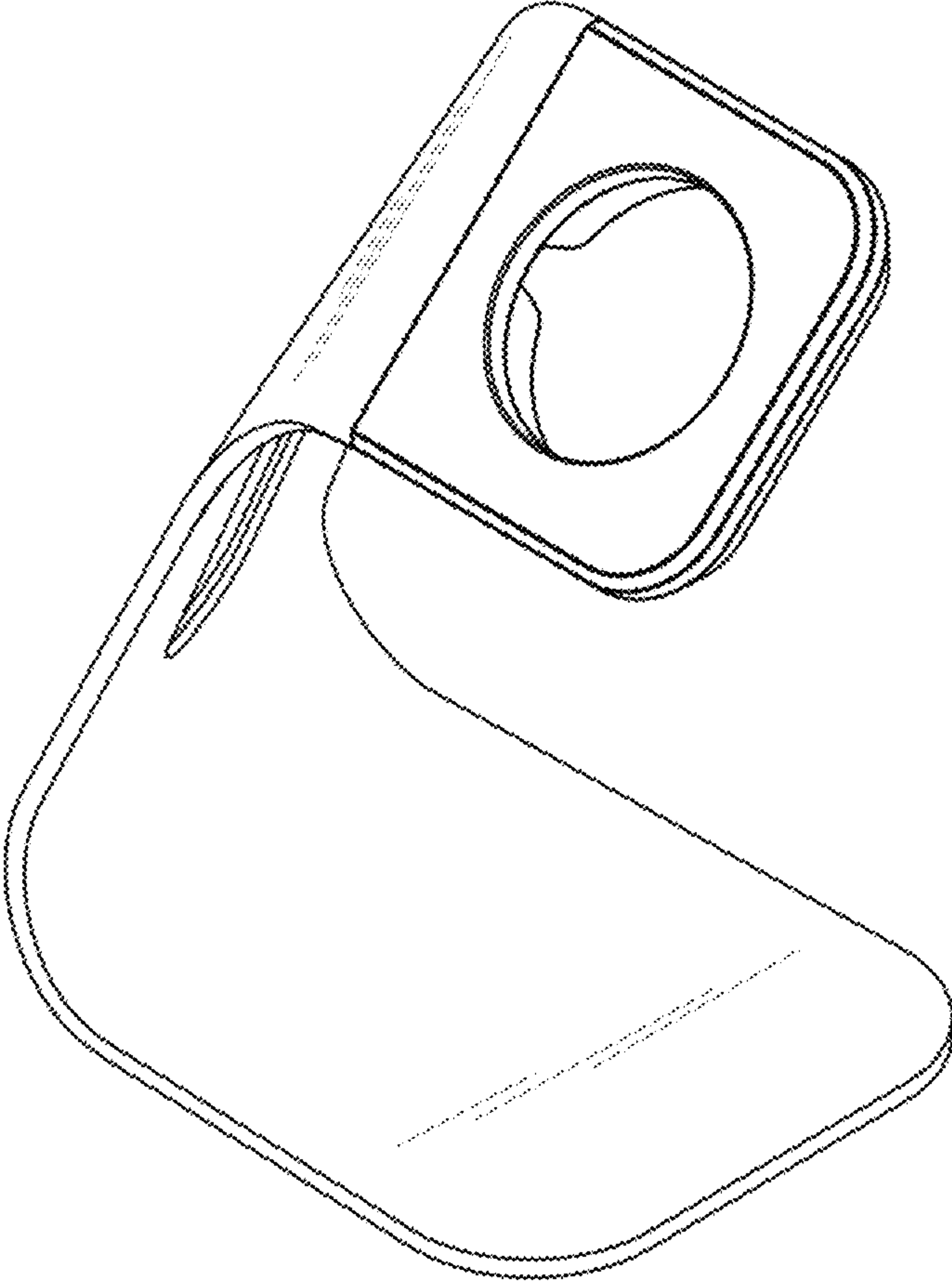


FIG. 2

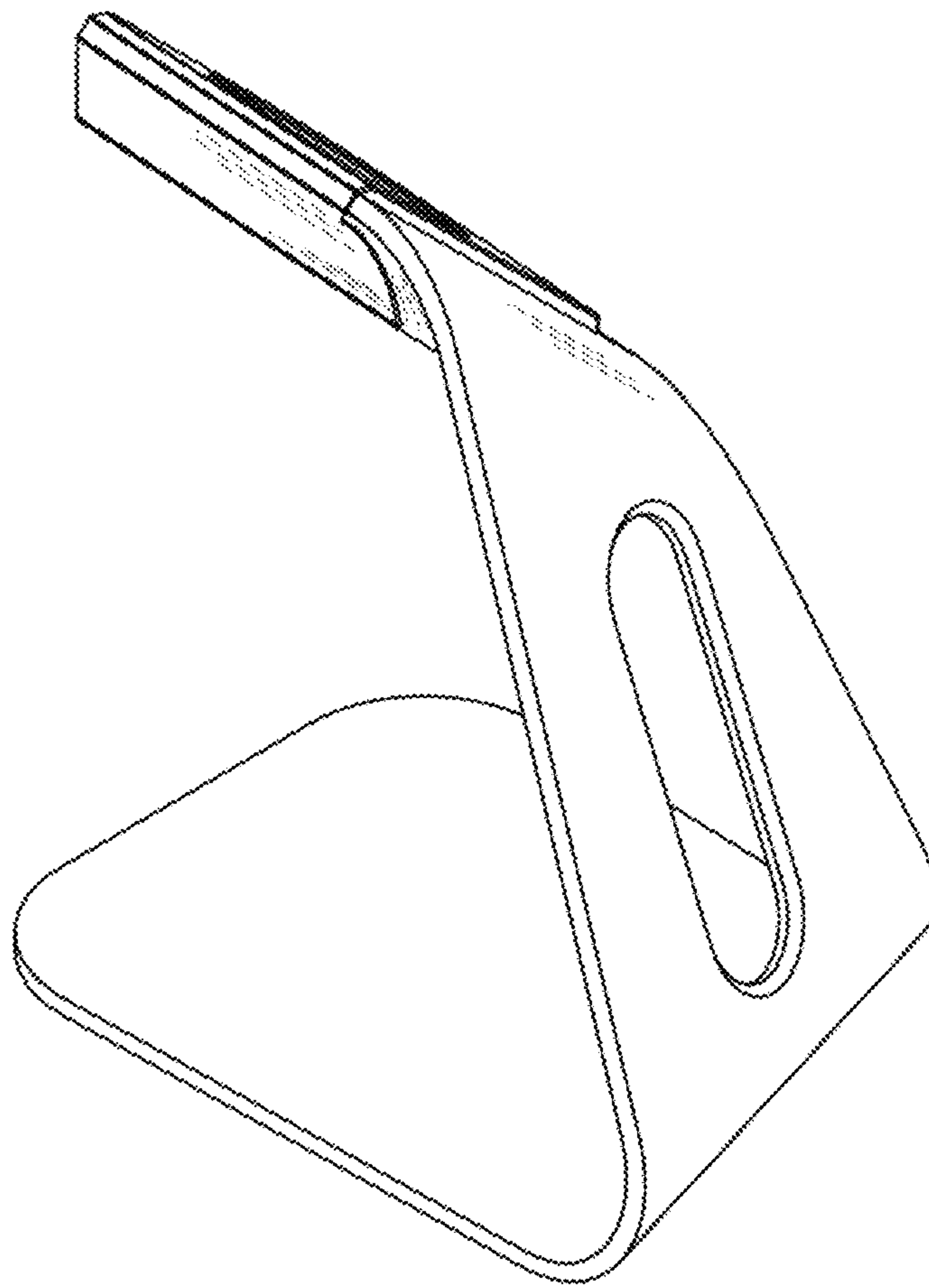


FIG. 3

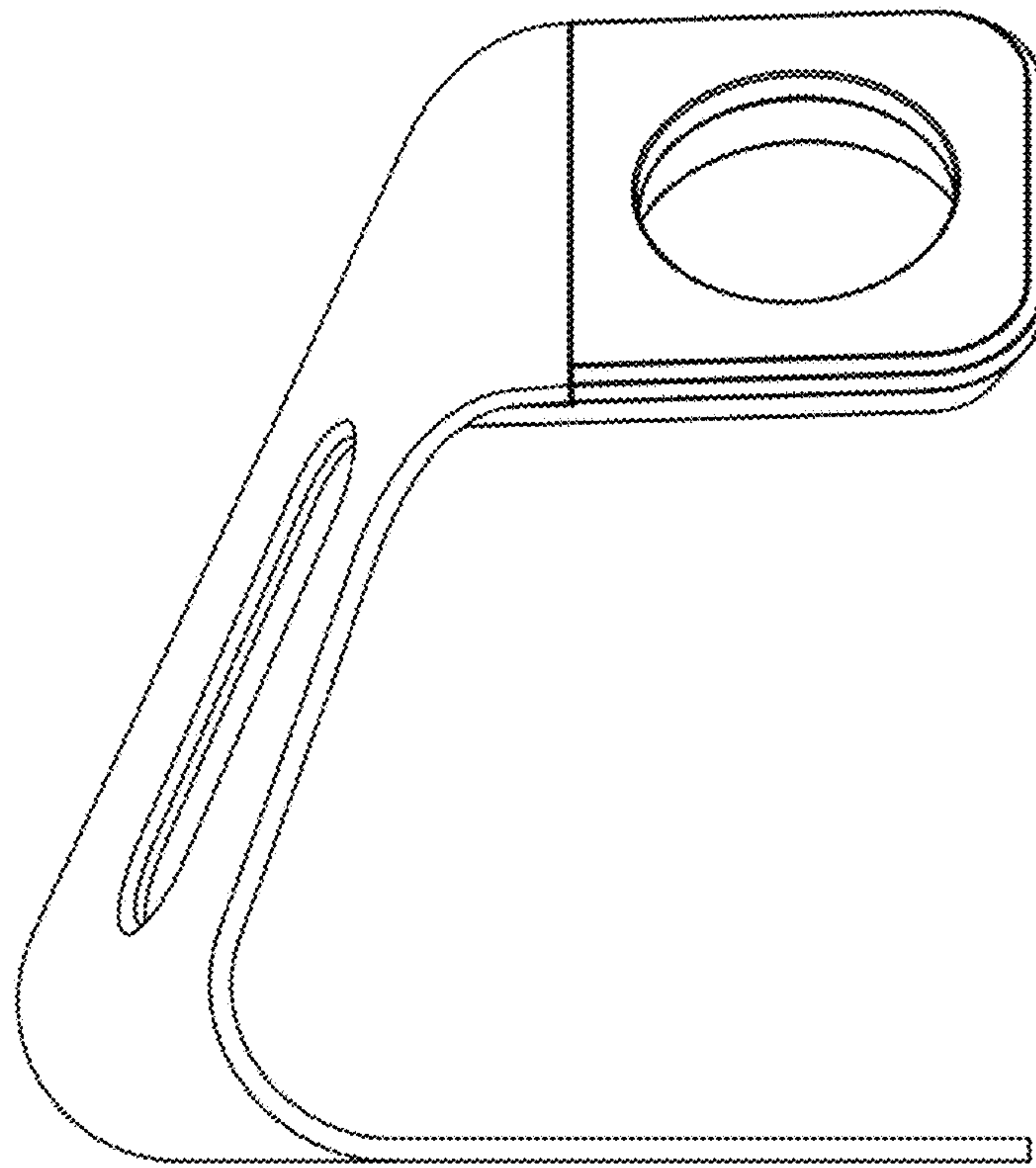


FIG. 4

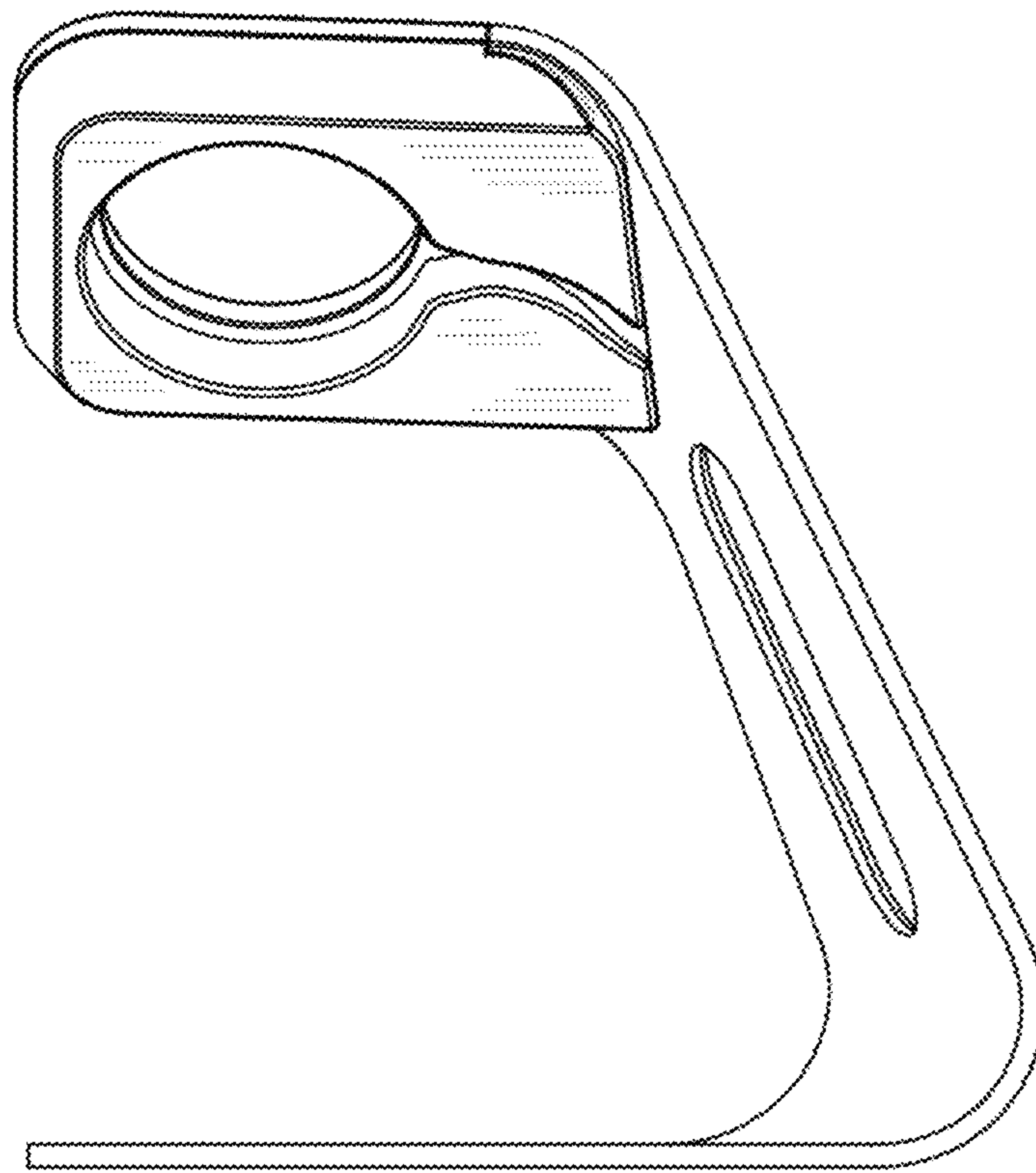


FIG. 5

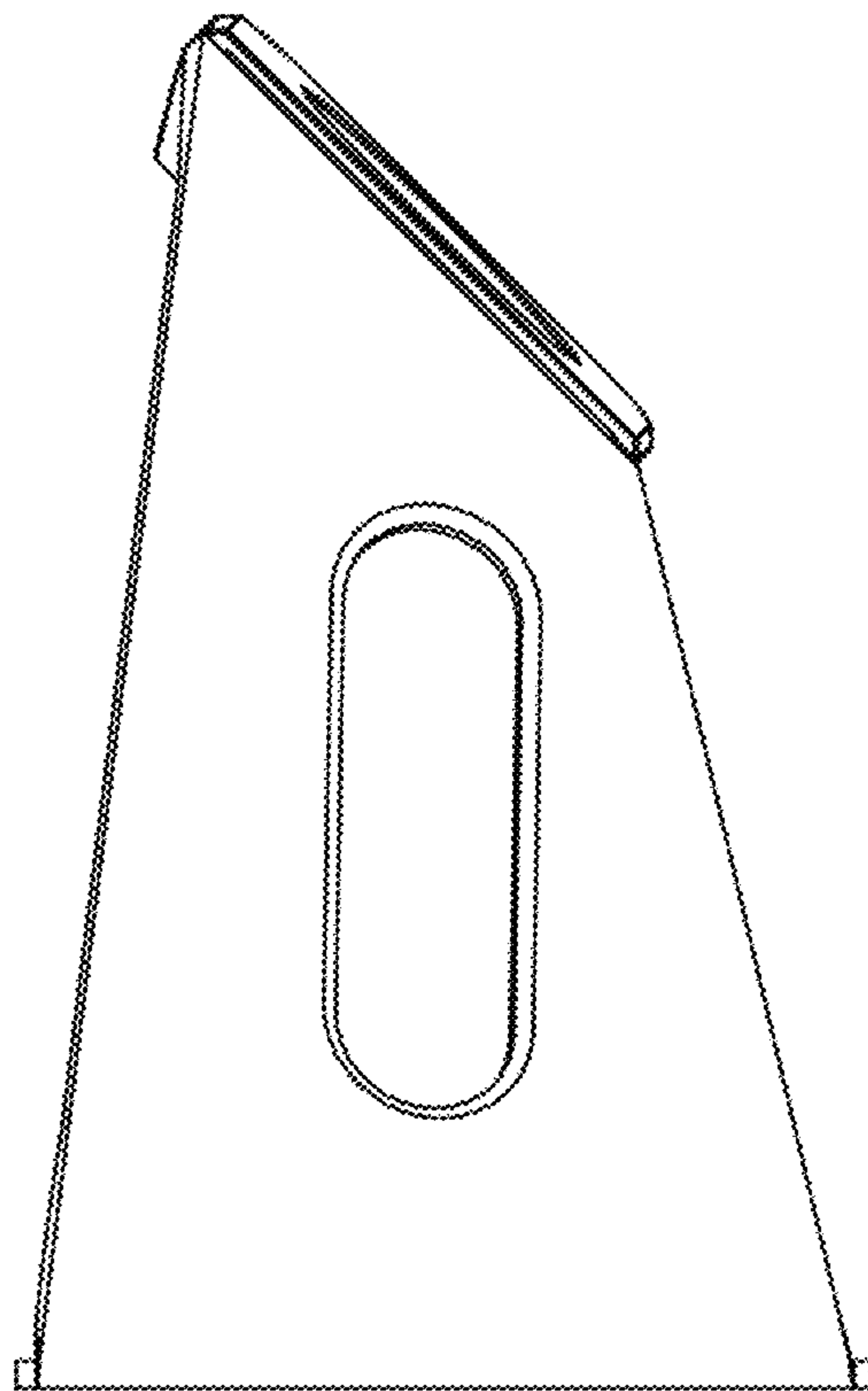


FIG. 6

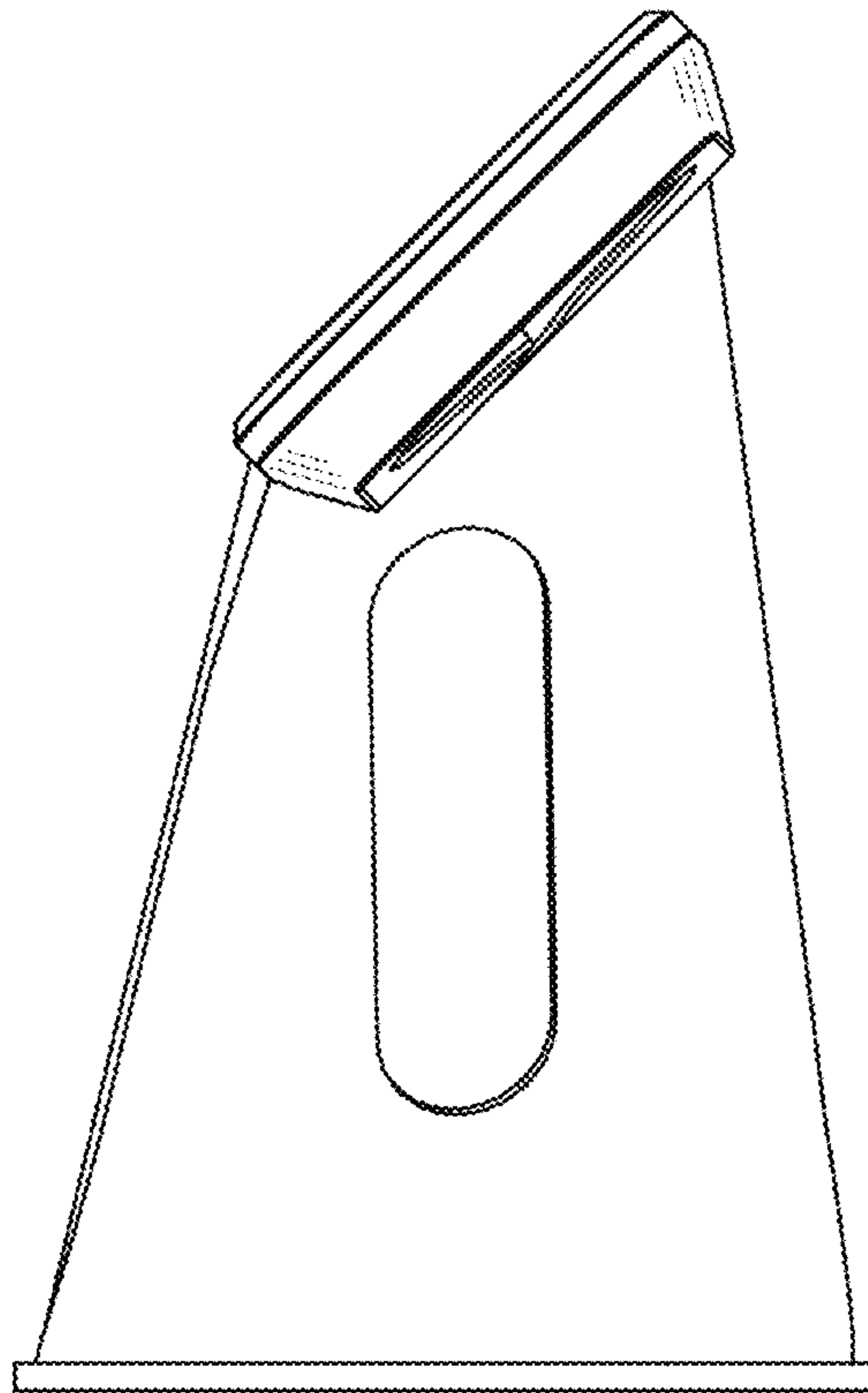


FIG. 7

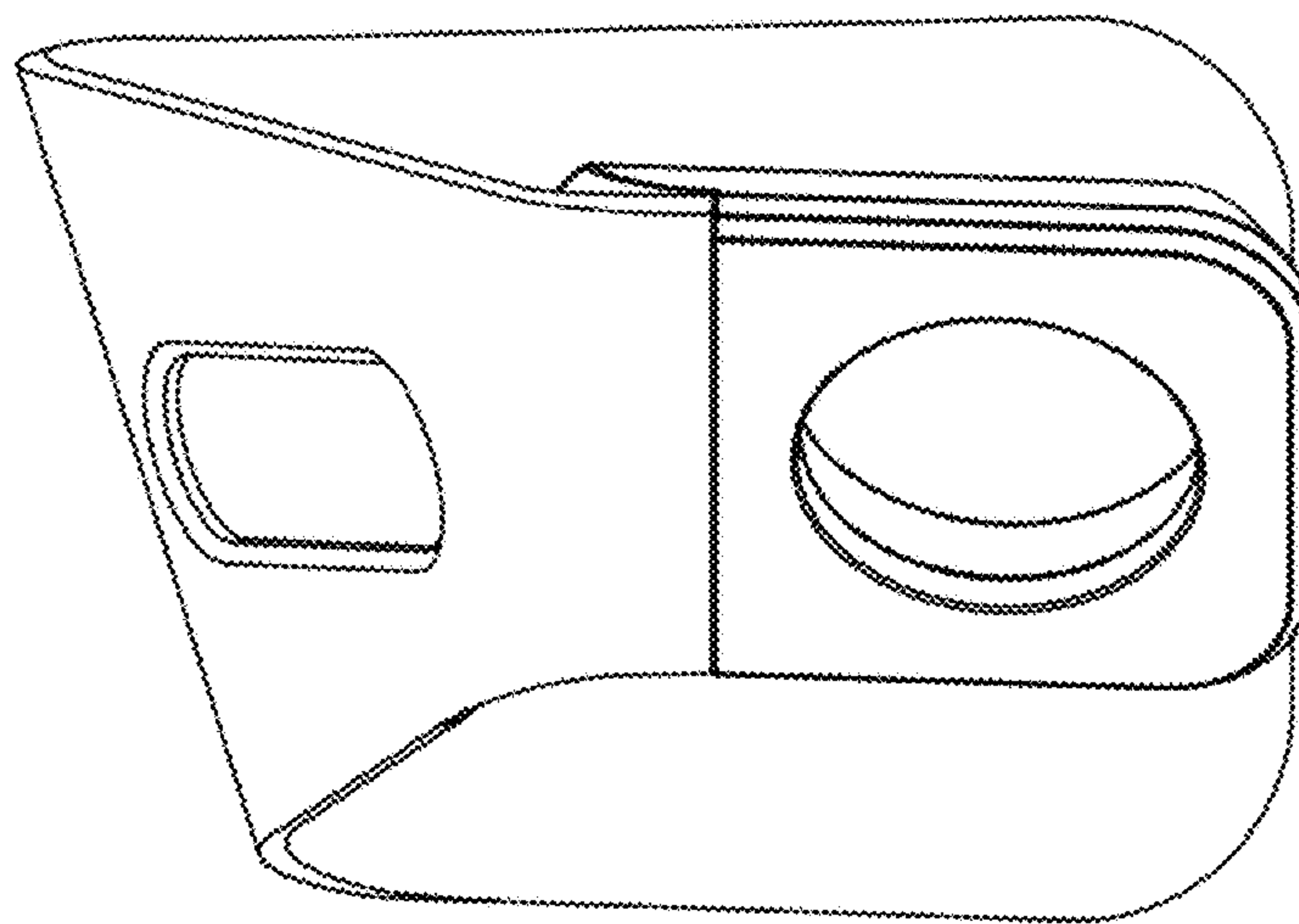


FIG. 8

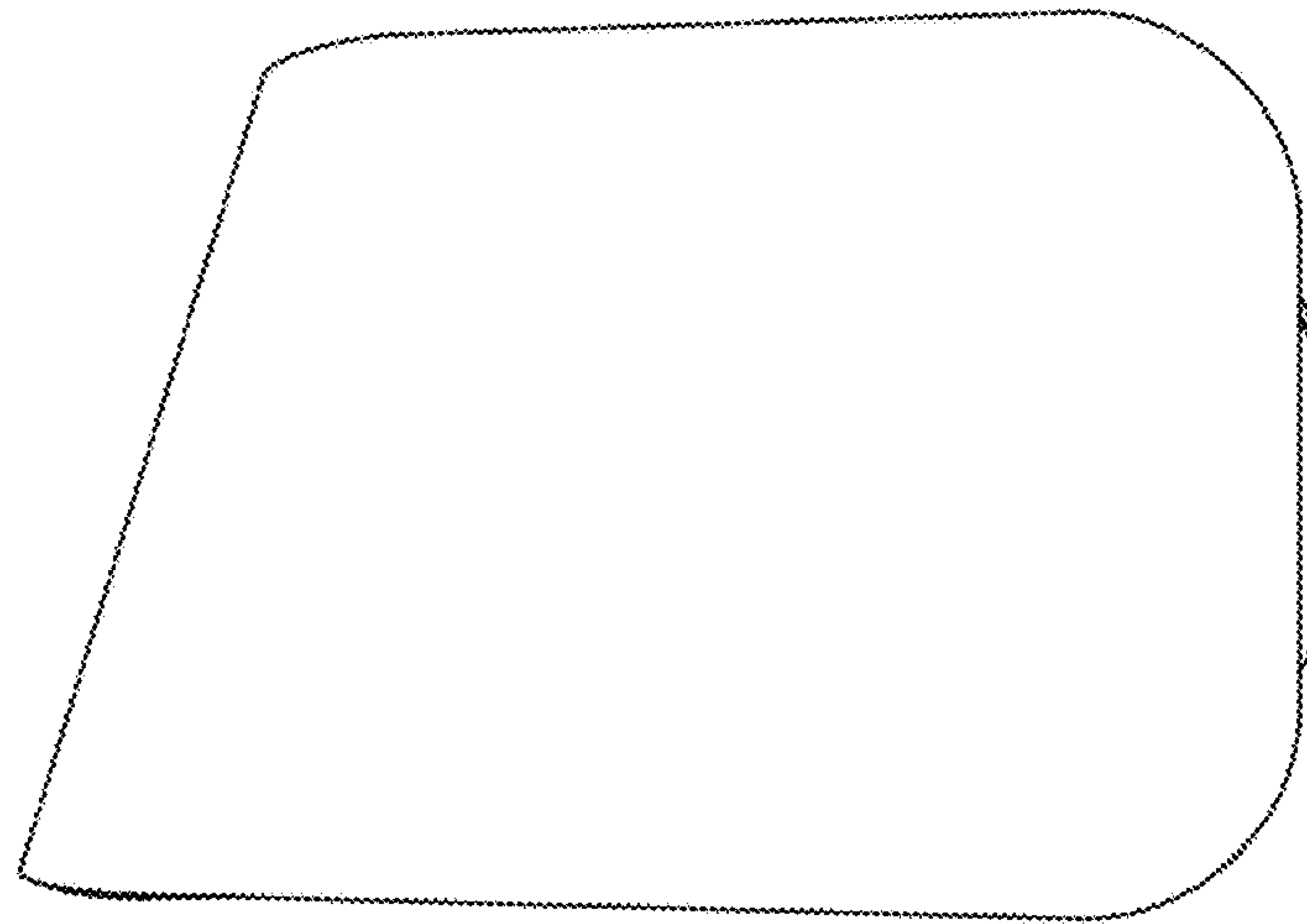


FIG. 9

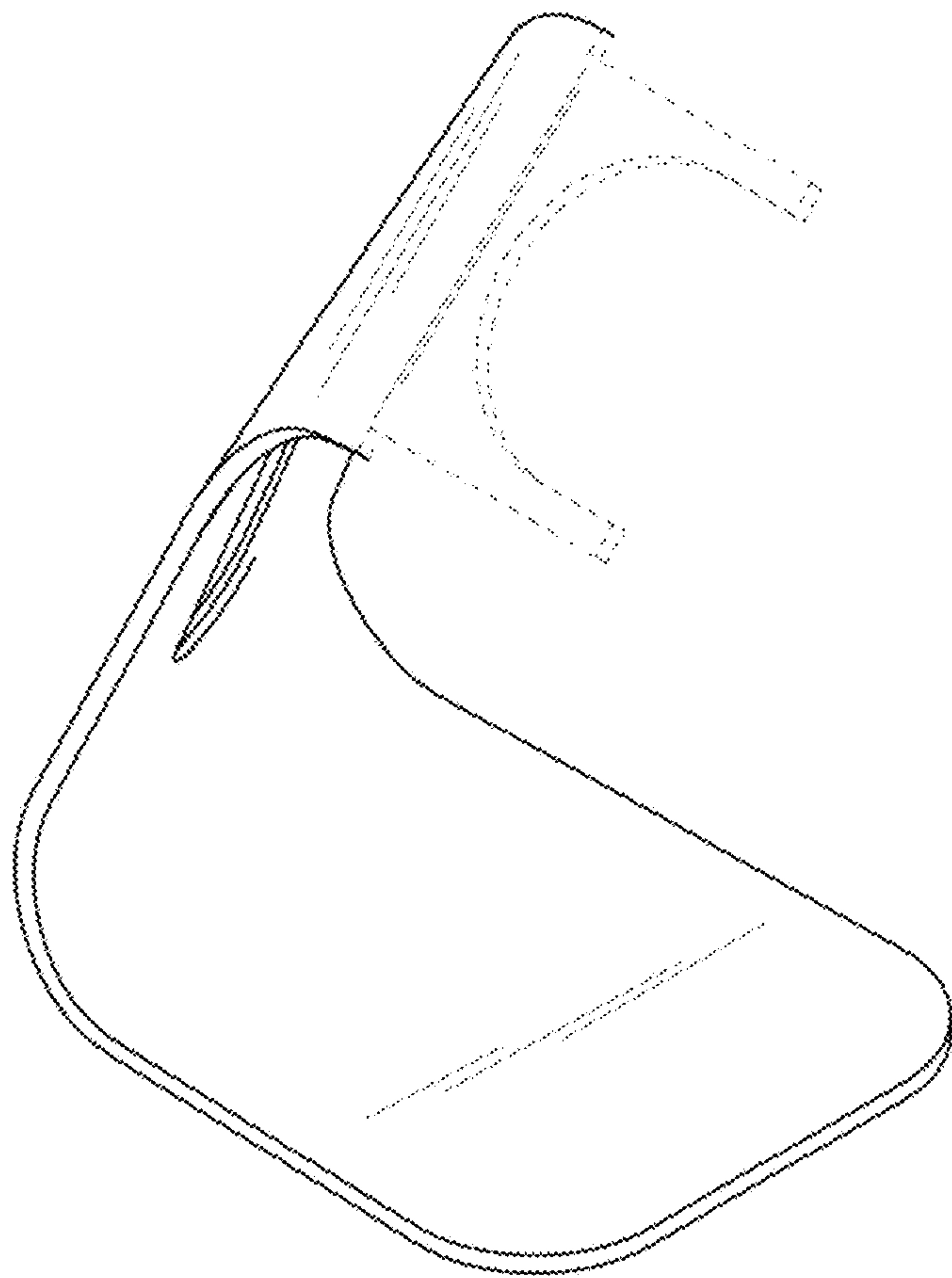


FIG. 10

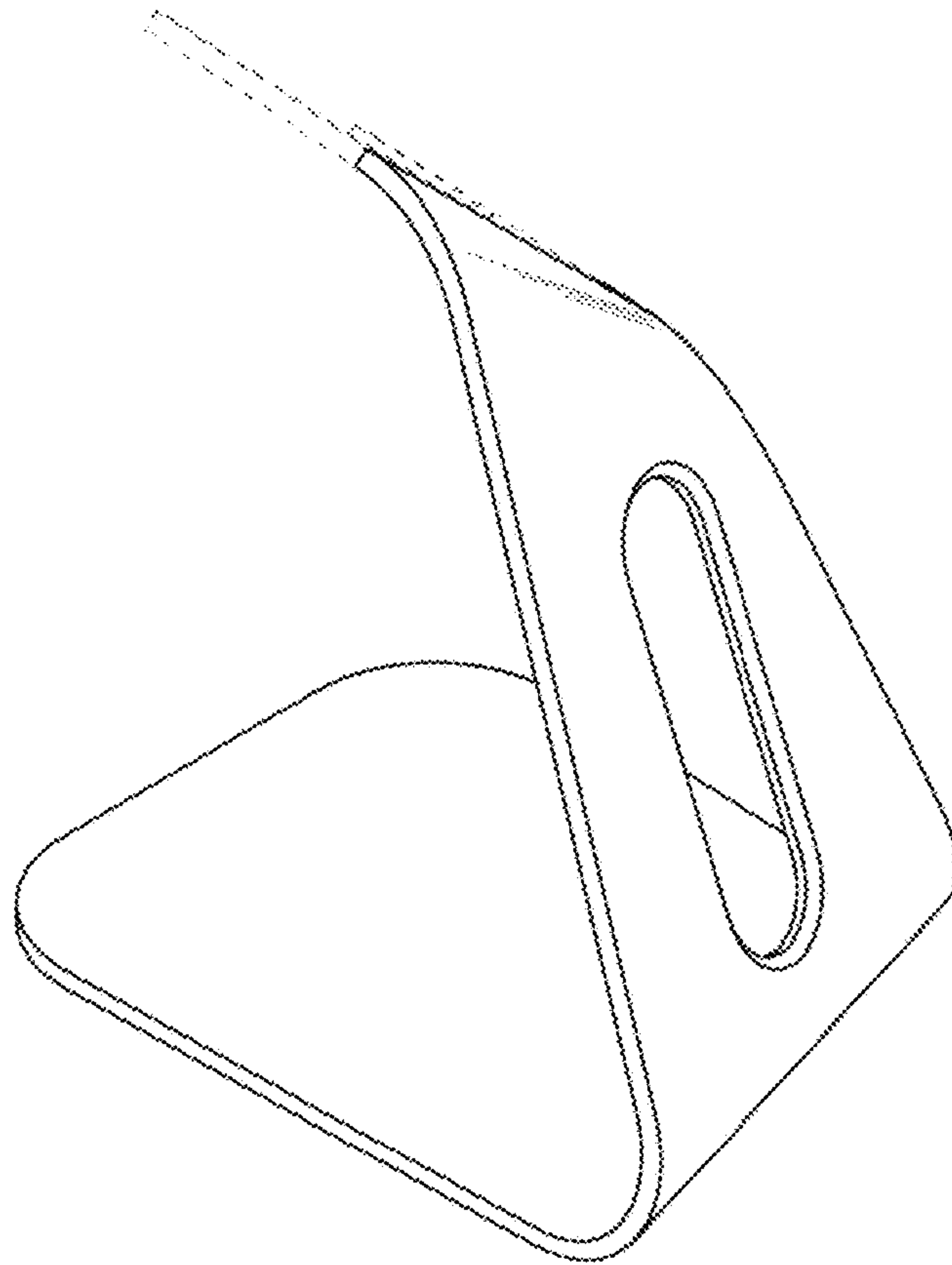


FIG. 11

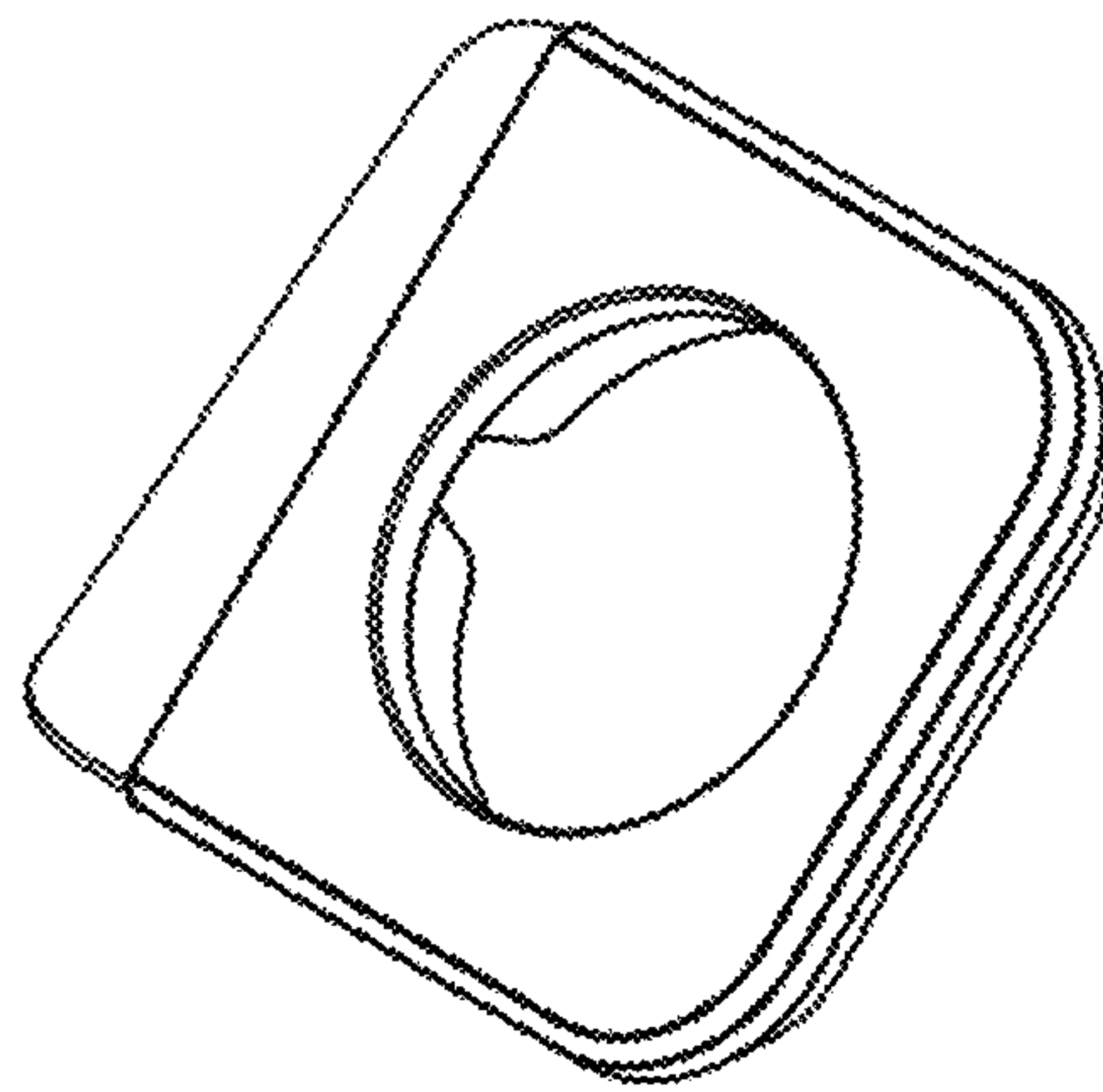


FIG. 12

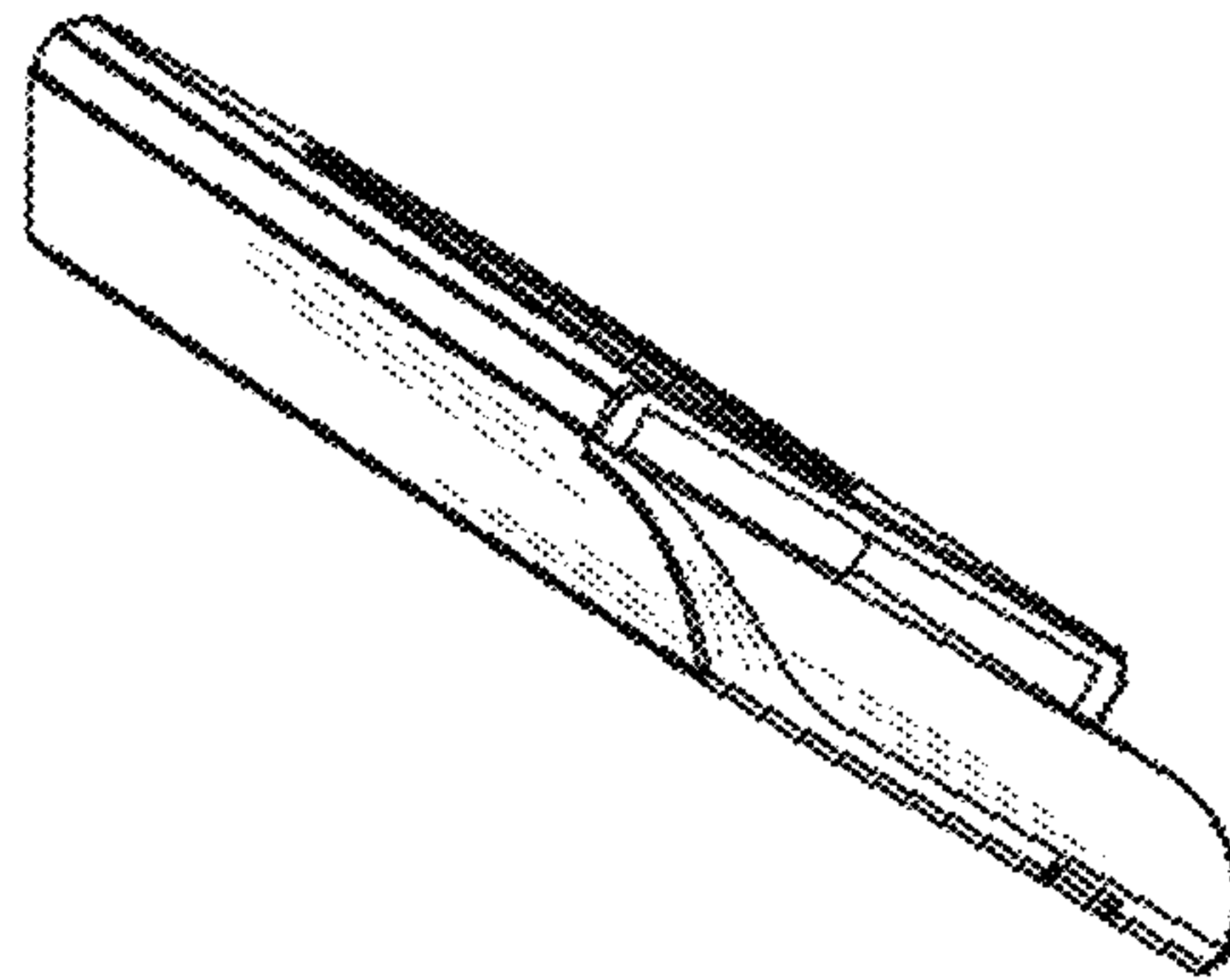


FIG. 13

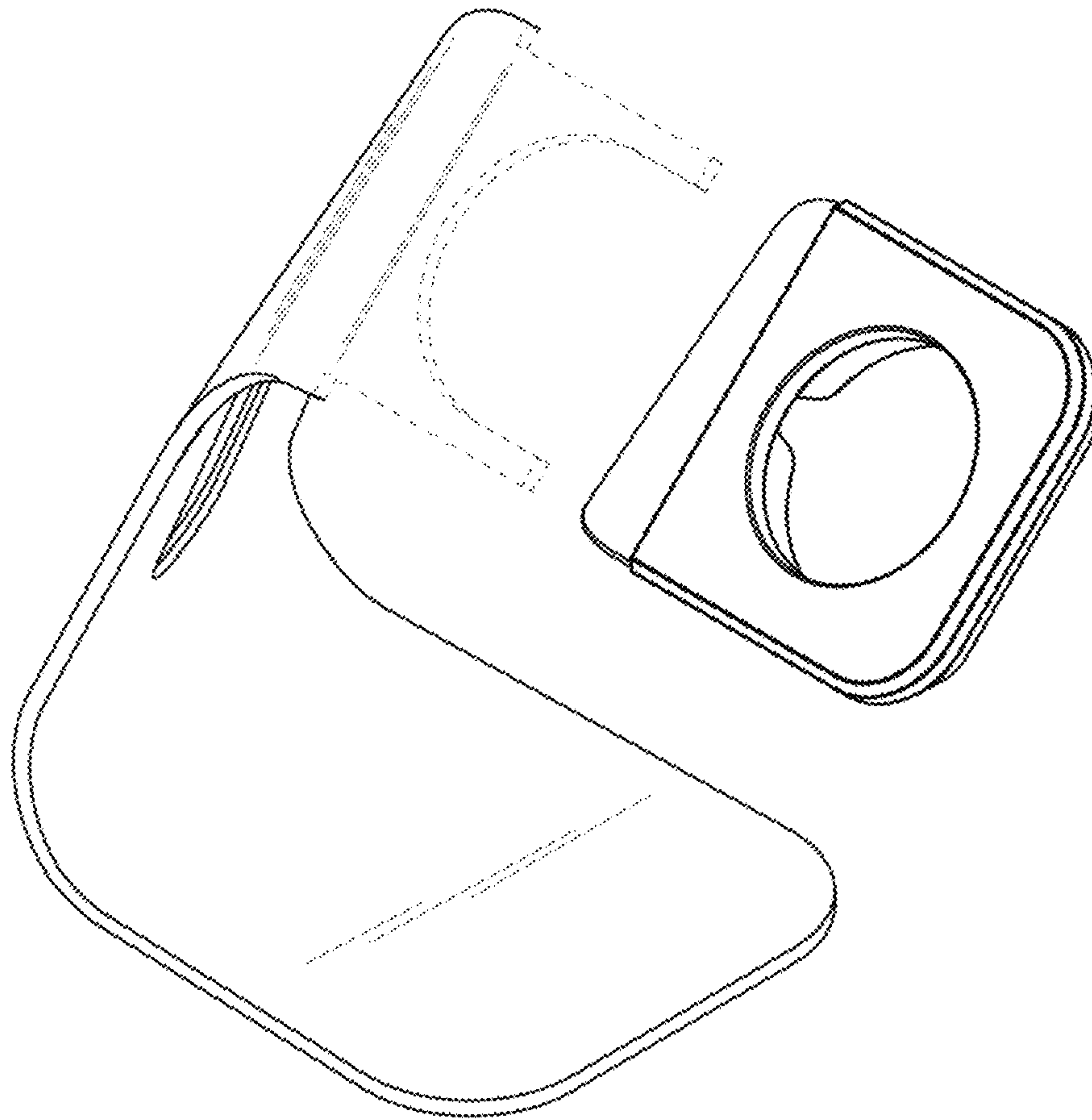


FIG. 14

