



US00D788085S

(12) **United States Design Patent**
Matsuoka

(10) **Patent No.:** **US D788,085 S**

(45) **Date of Patent:** **** May 30, 2017**

(54) **ANTENNA**

(71) Applicant: **Google Inc.**, Mountain View, CA (US)

(72) Inventor: **Yoshimichi Matsuoka**, Sunnyvale, CA (US)

(73) Assignee: **Google Inc.**, Mountain View, CA (US)

(**) Term: **15 Years**

(21) Appl. No.: **29/563,208**

(22) Filed: **May 3, 2016**

Related U.S. Application Data

(62) Division of application No. 29/491,292, filed on May 20, 2014, now Pat. No. Des. 760,705.

(51) **LOC (10) Cl.** **14-03**

(52) **U.S. Cl.**
USPC **D14/230**

(58) **Field of Classification Search**
USPC D14/230-238, 299, 358
CPC H01Q 7/00; H01Q 13/10; H01Q 9/285;
H01Q 19/30; H01Q 19/12; H01Q 1/38
See application file for complete search history.

(56) **References Cited**

U.S. PATENT DOCUMENTS

- 3,239,838 A * 3/1966 Kelleher H01Q 9/065
343/789
- D262,151 S * 12/1981 Sussman D28/83
- 4,853,704 A * 8/1989 Diaz H01Q 13/085
343/767
- D345,564 S * 3/1994 Kadono D14/230
- D528,537 S * 9/2006 Wang D14/230
- D531,995 S * 11/2006 Shinkawa D14/230
- D540,314 S * 4/2007 Allen D14/230
- D560,214 S * 1/2008 Yuba D14/230
- D565,035 S * 3/2008 Takisawa D14/230
- D565,298 S * 4/2008 Braun D3/273
- D574,769 S * 8/2008 Fisher D13/108

- D582,806 S * 12/2008 Schmid-Schweiger D10/65
- D618,240 S * 6/2010 Larmour D14/230
- 7,839,347 B2 * 11/2010 Schneider H01Q 7/00
343/741
- D664,126 S * 7/2012 Feit D14/230
- D675,569 S * 2/2013 Chang D13/133
- 8,368,602 B2 * 2/2013 Hill H01Q 9/285
343/702
- D684,957 S * 6/2013 Smith D14/242
- D697,059 S * 1/2014 Miller D14/230

(Continued)

OTHER PUBLICATIONS

Amazon.com: RCA ANT1450BF Multi-Directional Amplified Digital Flat Antenna, oldest review 2008, https://www.amazon.com/RCA-ANT1450BF-Multi-Directional-Amplified-Digital/dp/B001GE6T9A/ref=cm_cr_arp_d_product_top?ie=UTF8, [site visited Jan. 18, 2017 8:56:49 PM].*

(Continued)

Primary Examiner — John Windmuller

Assistant Examiner — John R Yeh

(74) *Attorney, Agent, or Firm* — Honigman Miller Schwartz and Cohn LLP

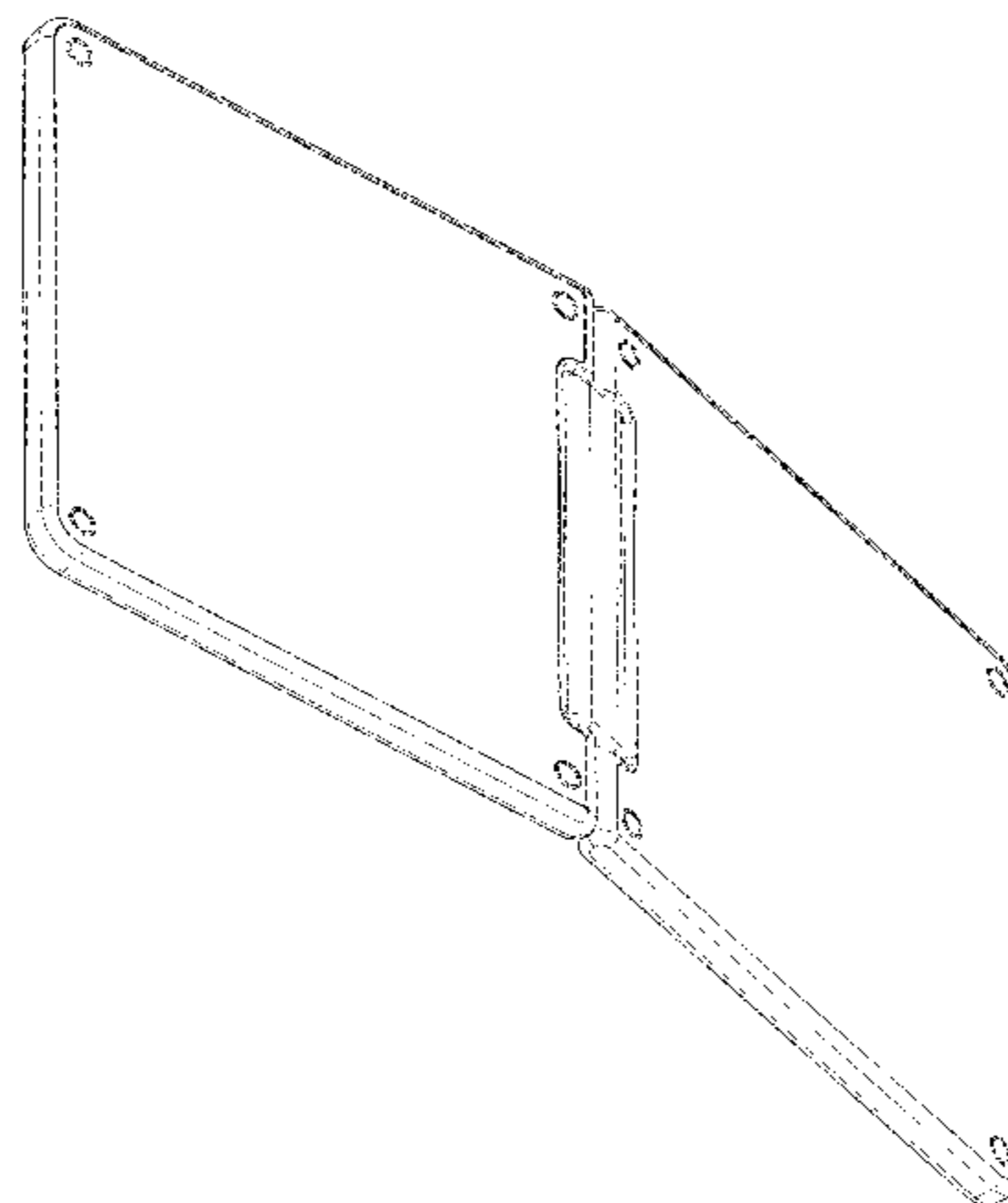
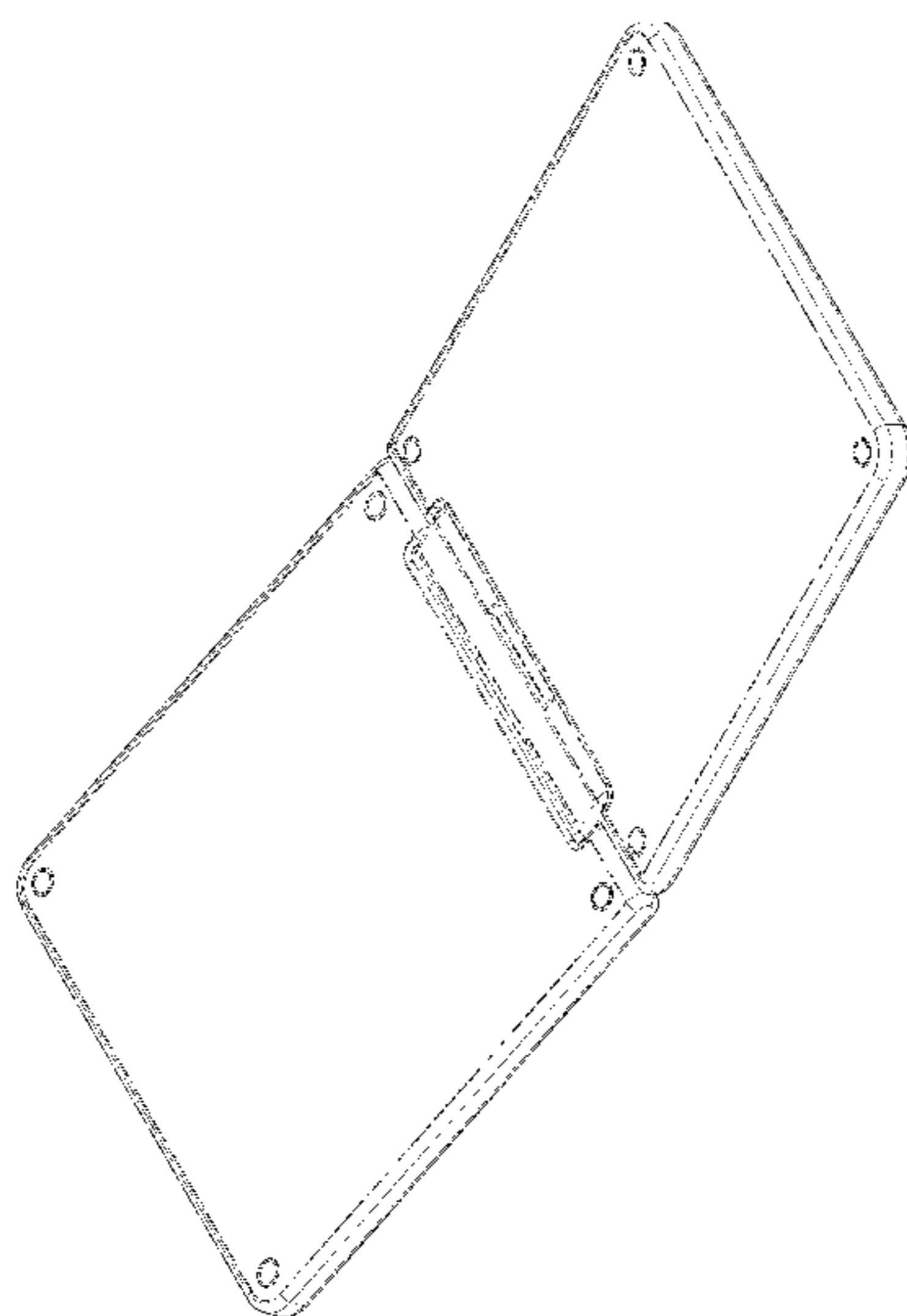
(57) **CLAIM**

The ornamental design for an antenna, as shown and described.

DESCRIPTION

FIG. 1 is a top perspective view of an antenna, showing my new design;
FIG. 2 is a bottom perspective view thereof;
FIG. 3 is a top view thereof;
FIG. 4 is a bottom view thereof;
FIG. 5 is a left side view thereof;
FIG. 6 is a right side view thereof;
FIG. 7 is a front view thereof; and,
FIG. 8 is a rear view thereof.

1 Claim, 8 Drawing Sheets



(56)

References Cited

U.S. PATENT DOCUMENTS

D728,577 S	*	5/2015	Amit	D14/435
D754,641 S	*	4/2016	Suleiman	D14/230
D758,999 S	*	6/2016	Matsuoka	D14/230
D760,705 S	*	7/2016	Matsuoka	D14/230
D774,023 S	*	12/2016	Fariello	D14/230

OTHER PUBLICATIONS

Business Insider—Google’s Loon Balloons Keep Falling Out Of The Sky—article date Nov. 20, 2014, <http://www.businessinsider.com/googles-loon-balloons-keep-falling-out-of-the-sky-2014-11>, [site visited Jan. 18, 2017 8:49:03 PM].*

* cited by examiner

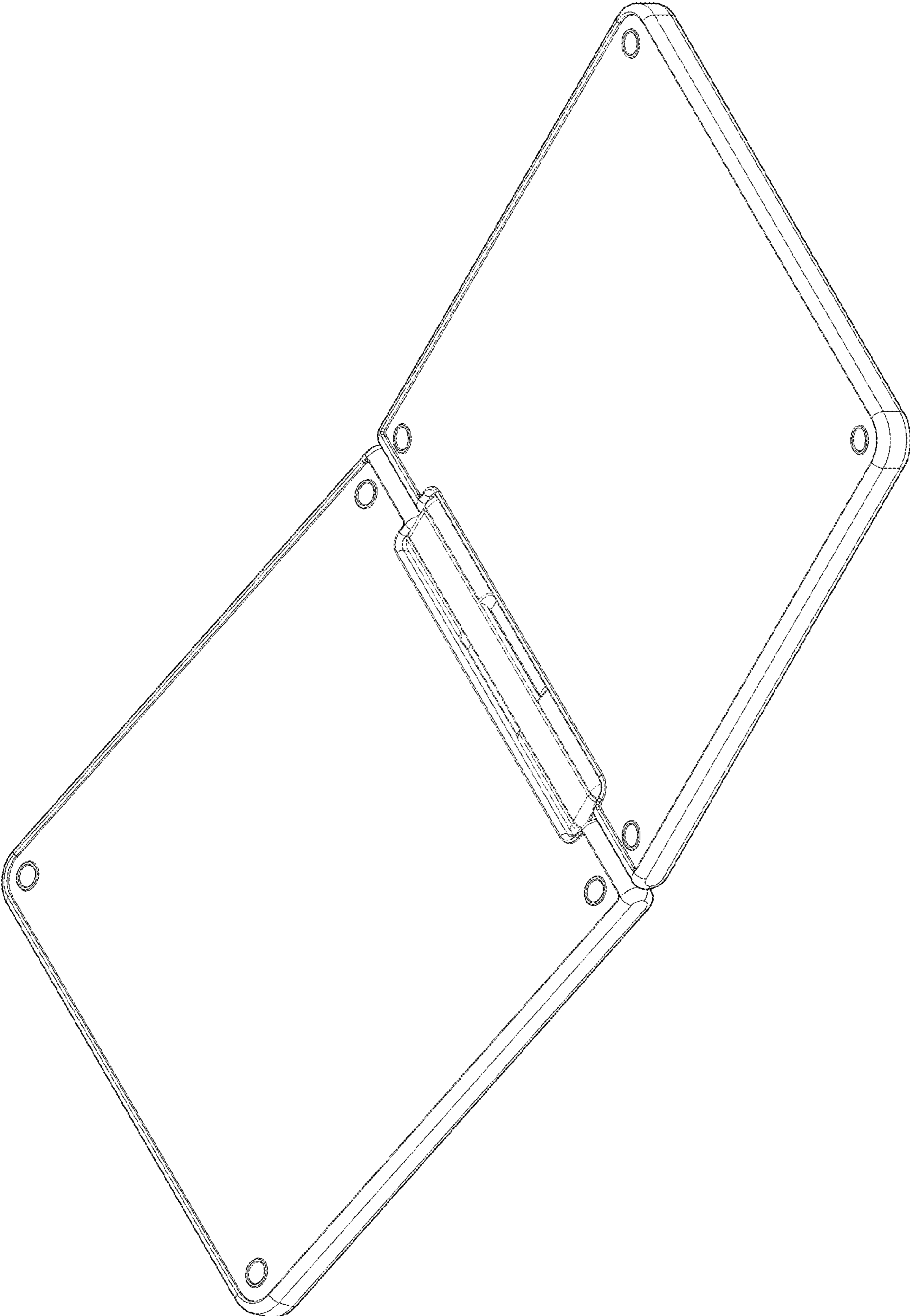


FIG. 1

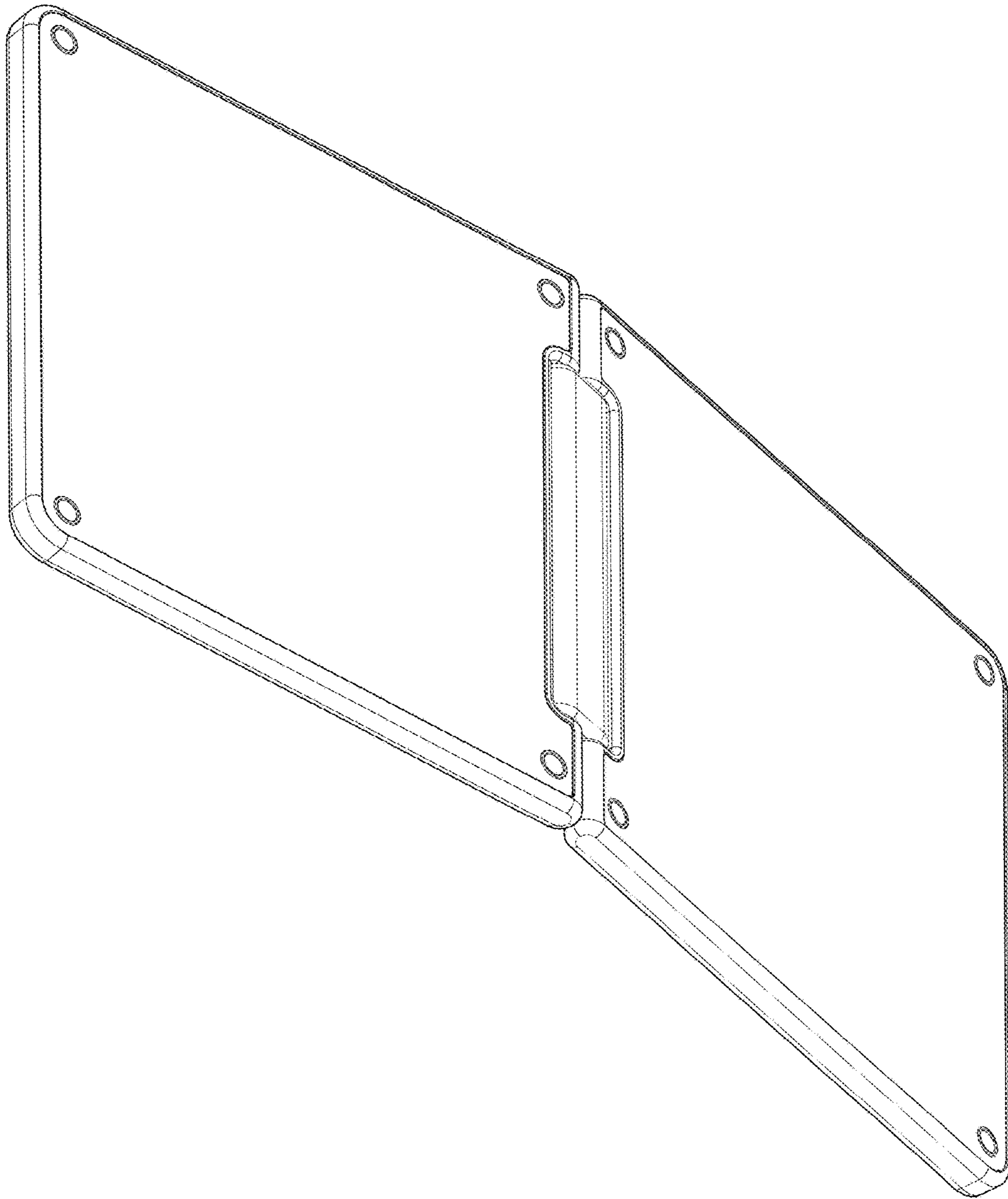


FIG. 2

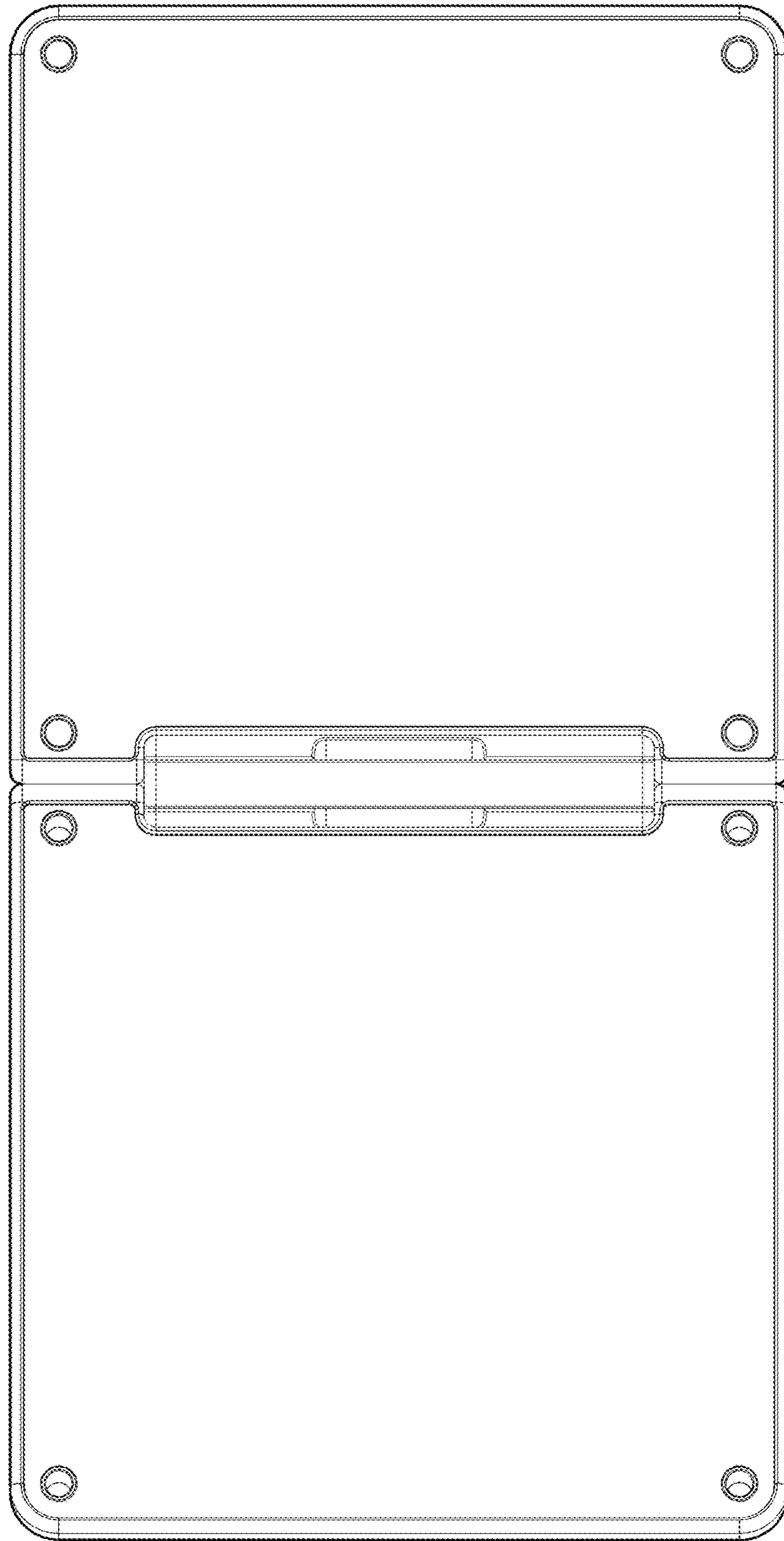


FIG. 3

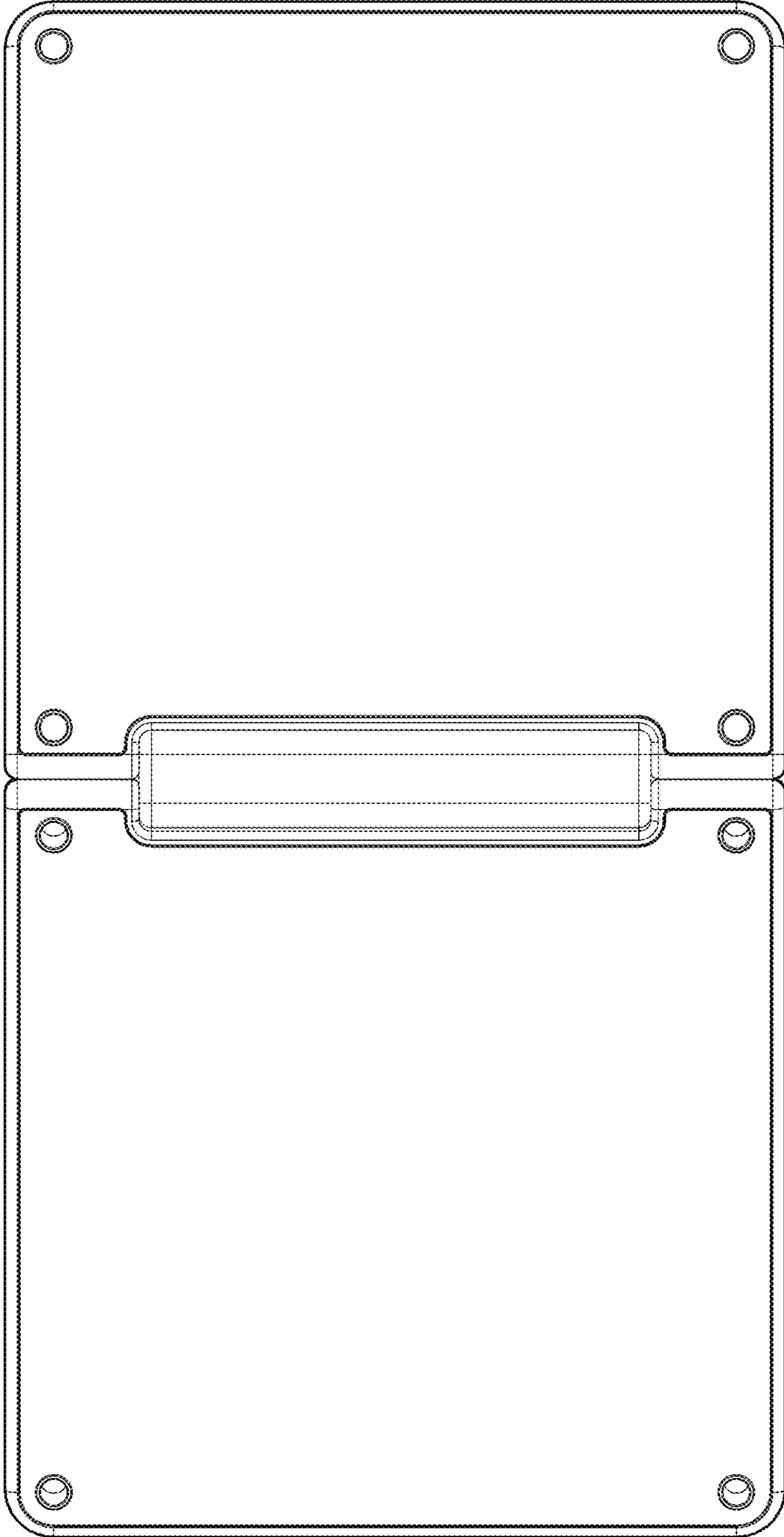


FIG. 4

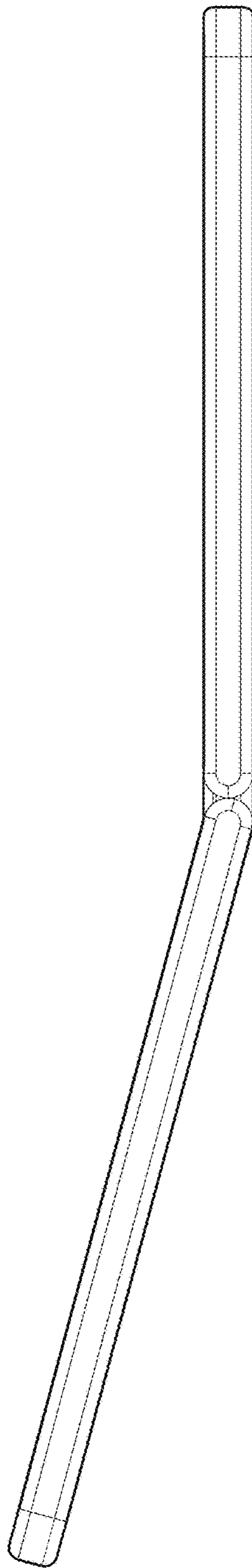


FIG. 5

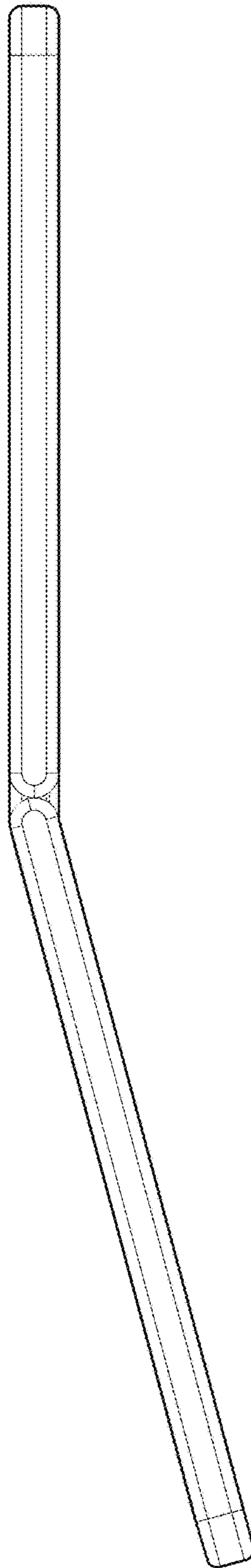


FIG. 6

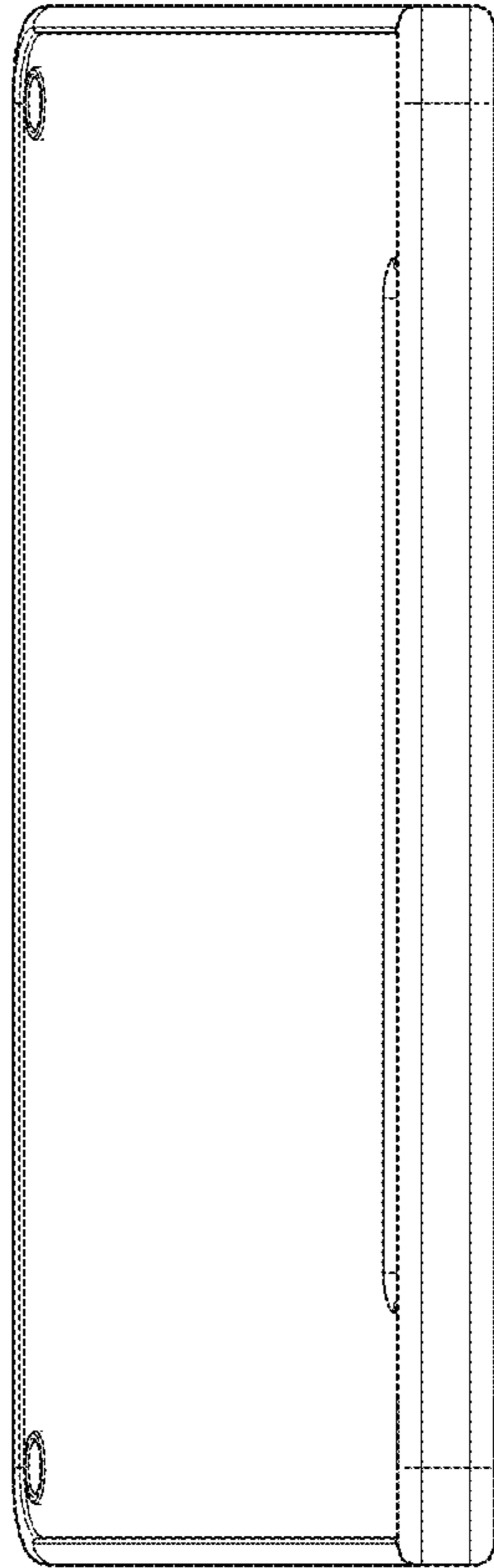


FIG. 7

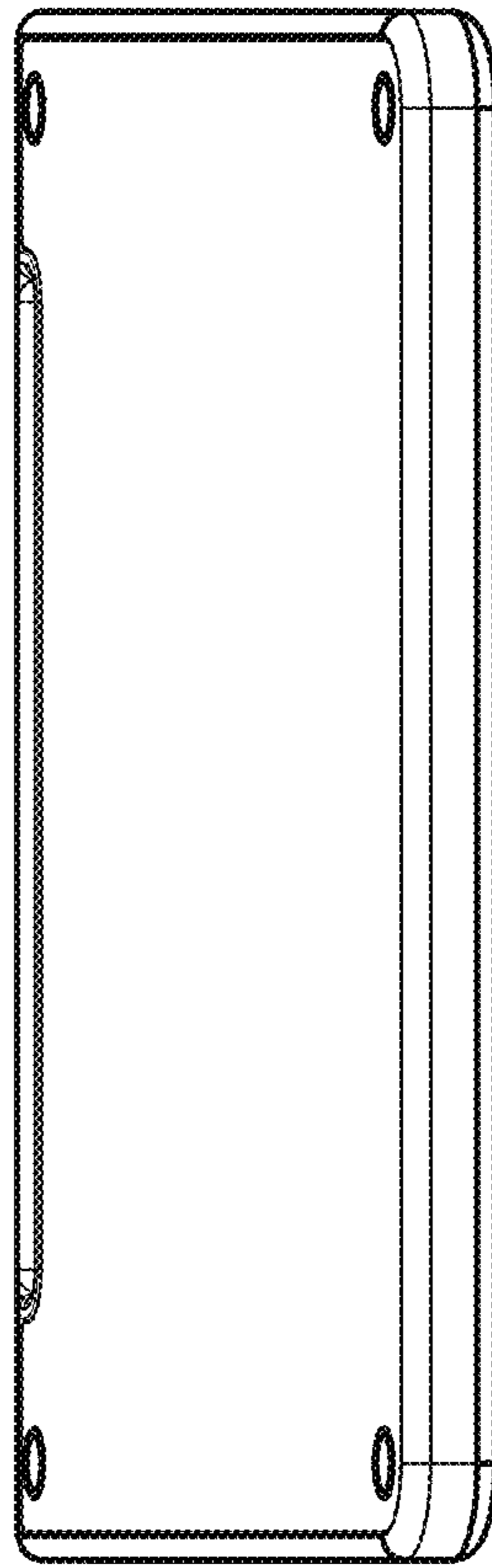


FIG. 8