



US00D788083S

(12) **United States Design Patent**
Zheng et al.

(10) **Patent No.:** **US D788,083 S**
(45) **Date of Patent:** **** May 30, 2017**

- (54) **ANTENNA**
- (71) Applicant: **Airgain, Incorporated**, San Diego, CA (US)
- (72) Inventors: **Bei Zheng**, Zhang Jia Gang (CN);
Mengyi Tao, Zhang Jia Gang (CN);
Ziming He, Irvine, CA (US)
- (73) Assignee: **Airgain Incorporated**, San Diego, CA (US)

D589,035	S	*	3/2009	Hellgren	D14/230
D592,195	S		5/2009	Wu et al.		
7,570,215	B2		8/2009	Abramov et al.		
D599,334	S		9/2009	Chiang		
D606,053	S		12/2009	Wu et al.		
D607,442	S		1/2010	Su et al.		
D608,769	S		1/2010	Bufe		
D612,368	S		3/2010	Yang et al.		
7,705,783	B2		4/2010	Rao et al.		
7,729,662	B2		6/2010	Abramov et al.		
D621,819	S		8/2010	Tsai et al.		
7,843,390	B2		11/2010	Liu		

(Continued)

(**) Term: **15 Years**

Primary Examiner — Catherine Tuttle

Assistant Examiner — Mary Malley

(21) Appl. No.: **29/540,024**

(74) *Attorney, Agent, or Firm* — Clause Eight IPS;

Michael Catania

(22) Filed: **Sep. 20, 2015**

(51) **LOC (10) Cl.** **14-03**

(57) **CLAIM**

(52) **U.S. Cl.**
USPC **D14/230**

The ornamental design for an antenna, as shown and described.

(58) **Field of Classification Search**
USPC D14/138, 230–238.1, 299, 358;
D12/42–43; D13/182; D8/396;
248/68.1

DESCRIPTION

CPC H01L 33/48; H01L 33/486; H01L 23/02;
H05K 5/00; H01Q 13/10; H01Q 7/00;
F16L 3/2235; F16L 3/227; Y10T
403/7141

FIG. 1 is a top plan view of an antenna showing our new design together with a base in broken lines; FIG. 2 is a side elevation view thereof; FIG. 3 is a front elevation view thereof; FIG. 4 is bottom plan view thereof; FIG. 5 is a top perspective view thereof; FIG. 6 is a top plan view of the antenna without the unclaimed base structure; FIG. 7 is a front elevation view thereof; FIG. 8 is a top plan view showing our design in the context of an alternative unclaimed base structure; FIG. 9 is a side elevation view thereof; FIG. 10 is a front elevation view thereof; FIG. 11 is bottom plan view thereof; and, FIG. 12 is a top perspective view thereof. The broken lines are for illustrative purposes only and form no part of the claimed design.

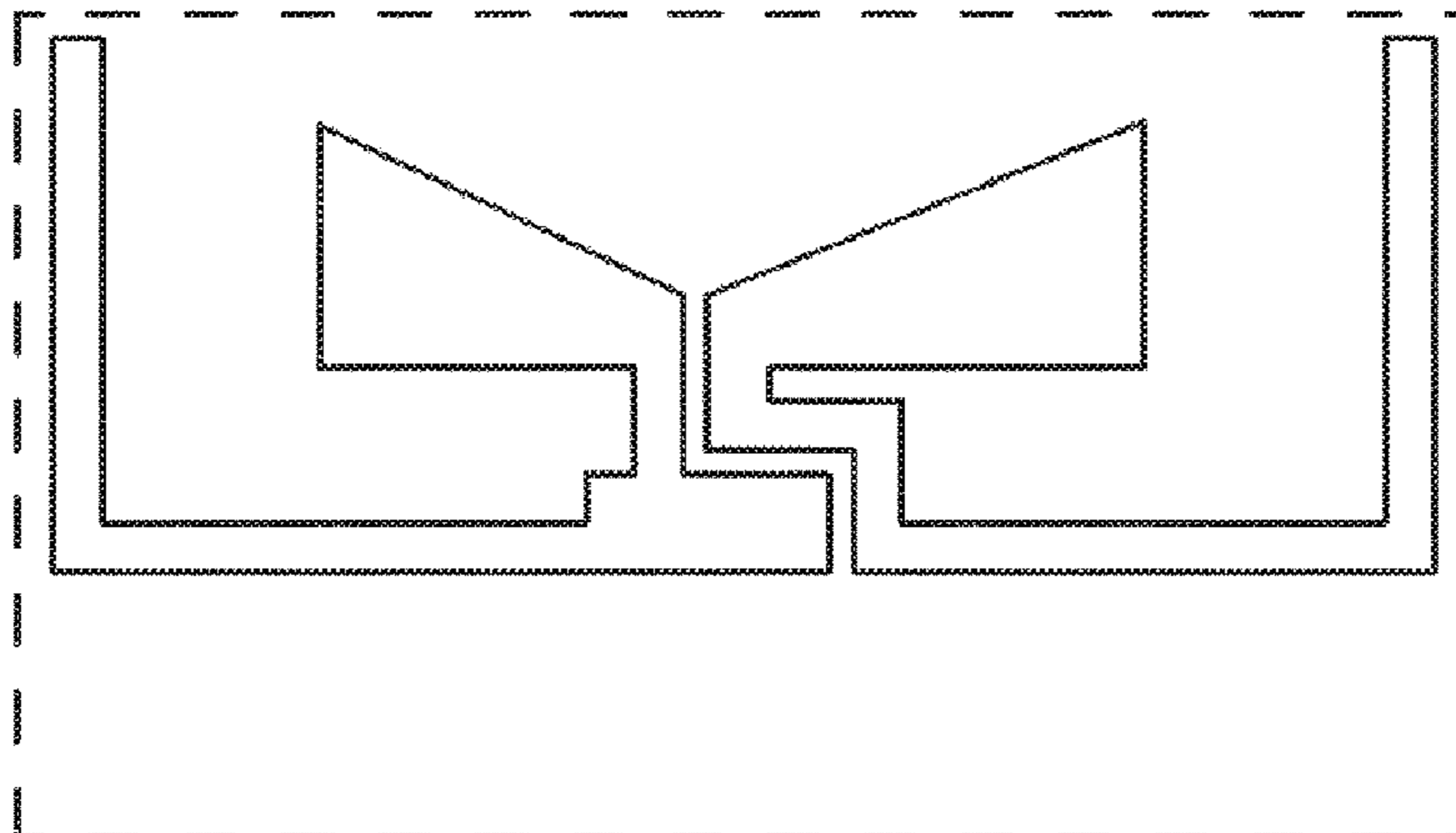
See application file for complete search history.

(56) **References Cited**

U.S. PATENT DOCUMENTS

7,061,437	B2	6/2006	Lin et al.
7,148,849	B2	12/2006	Lin
7,215,296	B2	5/2007	Abramov et al.
D546,821	S	7/2007	Oliver
D549,696	S	8/2007	Oshima et al.
7,333,067	B2	2/2008	Hung et al.
7,336,959	B2	2/2008	Khitrik et al.
D573,589	S	7/2008	Montgomery et al.
7,405,704	B1	7/2008	Lin et al.
7,477,195	B2	1/2009	Vance

1 Claim, 8 Drawing Sheets



(56)

References Cited

U.S. PATENT DOCUMENTS

D633,483 S	3/2011	Su et al.	D708,602 S	7/2014	Gosalia et al.
D635,127 S	3/2011	Tsai et al.	D709,053 S	7/2014	Chang et al.
7,907,971 B2	3/2011	Salo et al.	D710,832 S	8/2014	Yang
D635,560 S	4/2011	Tsai et al.	D710,833 S	8/2014	Zheng et al.
D635,963 S	4/2011	Poddaturi	8,854,265 B1	10/2014	Yang et al.
D635,964 S	4/2011	Poddaturi	D716,775 S	11/2014	Bidermann
D635,965 S	4/2011	Mi et al.	D764,446 S *	8/2016	Chang D14/230
D636,382 S	4/2011	Poddaturi	D766,221 S *	9/2016	Zheng D14/230
7,965,242 B2	6/2011	Abramov et al.	D766,882 S *	9/2016	Schulteis D14/230
D649,962 S	12/2011	Tseng et al.	D766,883 S *	9/2016	Yang D14/230
D651,198 S	12/2011	Mi et al.	D766,884 S *	9/2016	Zheng D14/240
D654,059 S	2/2012	Mi et al.	2002/0003499 A1	1/2002	Kouam et al.
D654,060 S	2/2012	Ko et al.	2004/0222936 A1	11/2004	Hung et al.
D658,639 S	5/2012	Huang et al.	2005/0073462 A1	4/2005	Lin et al.
D659,129 S	5/2012	Mi et al.	2005/0190108 A1	9/2005	Lin et al.
D659,685 S	5/2012	Huang et al.	2006/0077113 A1*	4/2006	Yuanzhu H01Q 9/0457 343/770
D659,688 S	5/2012	Huang et al.	2006/0208900 A1	9/2006	Tavassoli Hozouri
8,175,036 B2	5/2012	Visuri et al.	2007/0030203 A1	2/2007	Tsai et al.
8,184,601 B2	5/2012	Abramov et al.	2008/0150829 A1	6/2008	Lin et al.
D662,916 S	7/2012	Huang et al.	2009/0002244 A1	1/2009	Woo
8,248,970 B2	8/2012	Abramov et al.	2009/0058739 A1	3/2009	Konishi
D671,097 S	11/2012	Mi et al.	2009/0135072 A1	5/2009	Ke et al.
8,310,402 B2	11/2012	Yang	2009/0262028 A1	10/2009	Mumbru et al.
D676,429 S	2/2013	Gosalia et al.	2010/0188297 A1	7/2010	Chen et al.
D678,255 S	3/2013	Ko et al.	2010/0309067 A1	12/2010	Tsou et al.
8,423,084 B2	4/2013	Abramov et al.	2011/0006950 A1	1/2011	Park et al.
D684,565 S	6/2013	Wei	2012/0038514 A1	2/2012	Bang
D685,352 S	7/2013	Wei	2012/0229348 A1	9/2012	Chiang
D685,772 S	7/2013	Zheng et al.	2012/0242546 A1	9/2012	Hu et al.
D686,600 S	7/2013	Yang	2014/0061712 A1*	3/2014	Lin H01L 33/387 257/99
D689,474 S	9/2013	Yang et al.	2015/0162664 A1*	6/2015	Kawata H01Q 1/38 343/749
D692,870 S	11/2013	He	2015/0295314 A1*	10/2015	Oh H01Q 1/243 343/866
D694,738 S	12/2013	Yang	2016/0035947 A1*	2/2016	Hsing Chen H01L 33/54 257/98
D695,279 S	12/2013	Yang et al.	2016/0049734 A1*	2/2016	Kim H01Q 13/16 343/702
D695,280 S	12/2013	Yang et al.	2016/0211207 A1*	7/2016	Lin H05K 1/02
D703,195 S	4/2014	Zheng			
D703,196 S	4/2014	Zheng			
D706,247 S	6/2014	Zheng et al.			
D706,750 S	6/2014	Bringuier			
D706,751 S	6/2014	Chang et al.			

* cited by examiner

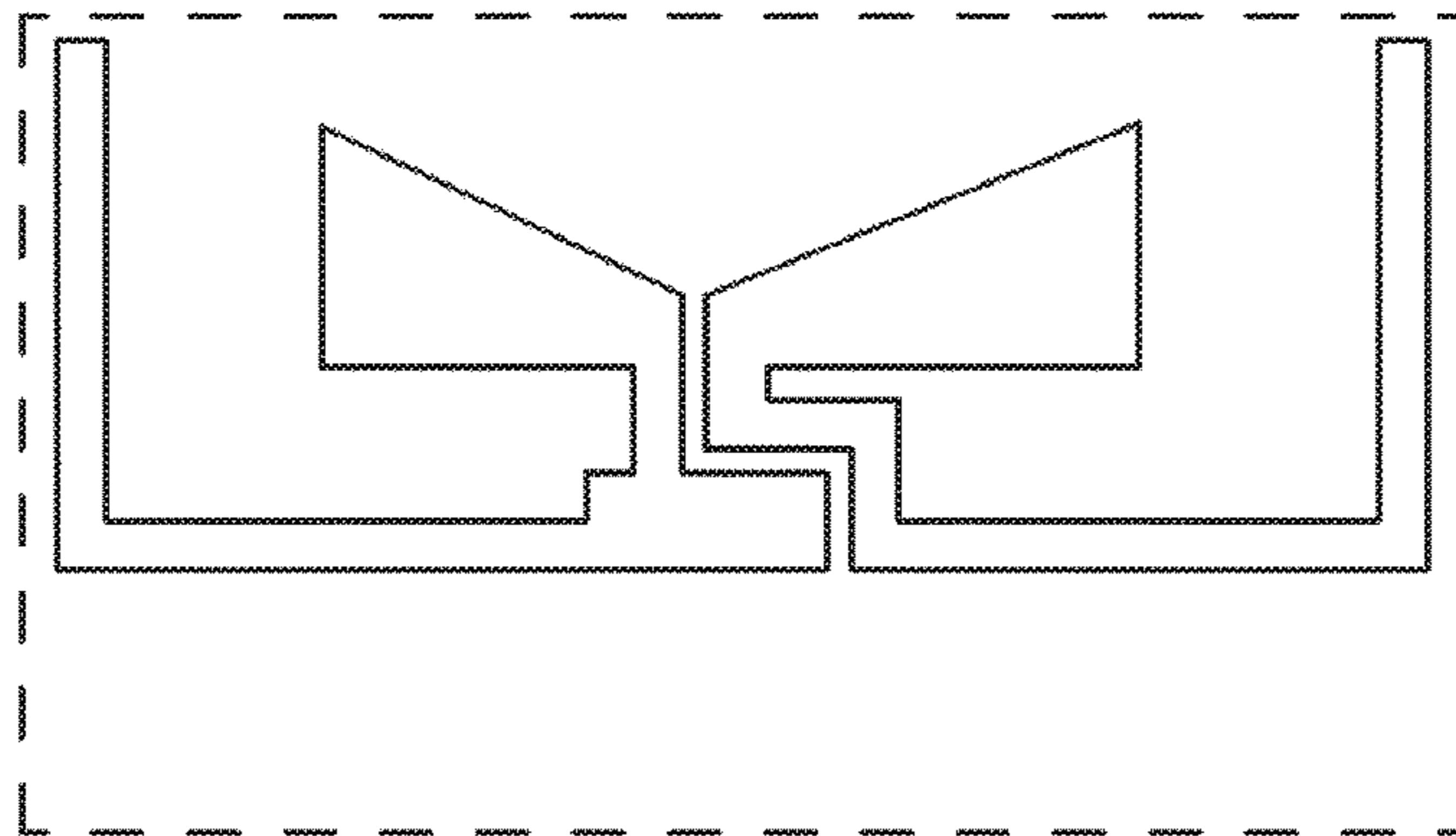


FIG. 1



FIG. 2

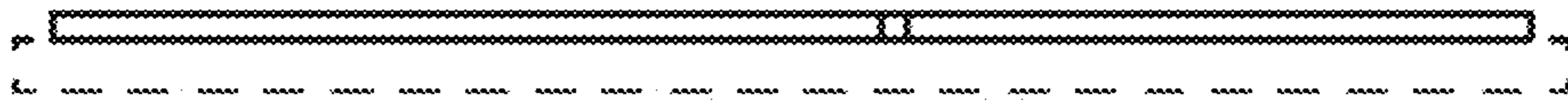


FIG. 3

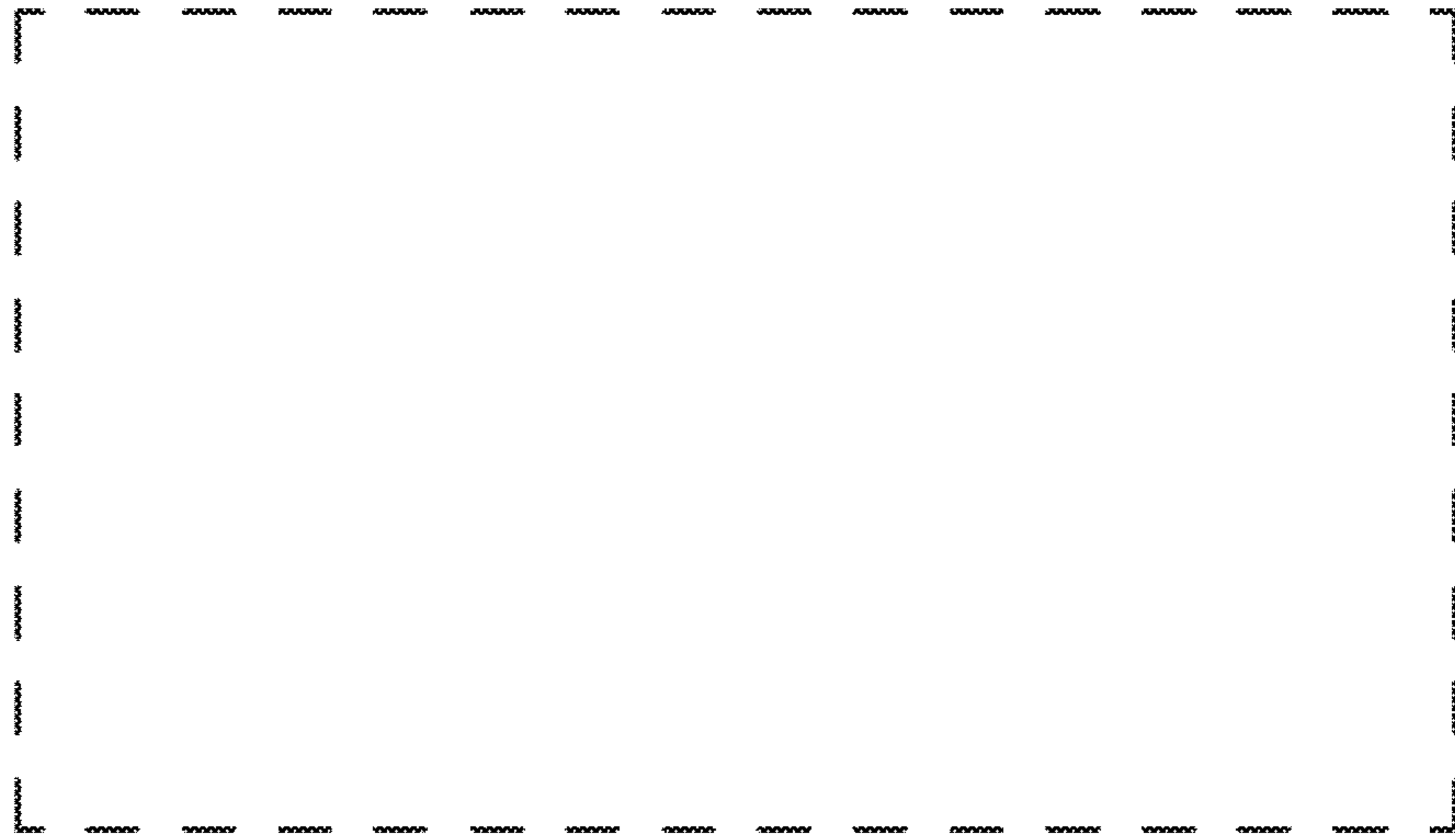


FIG. 4

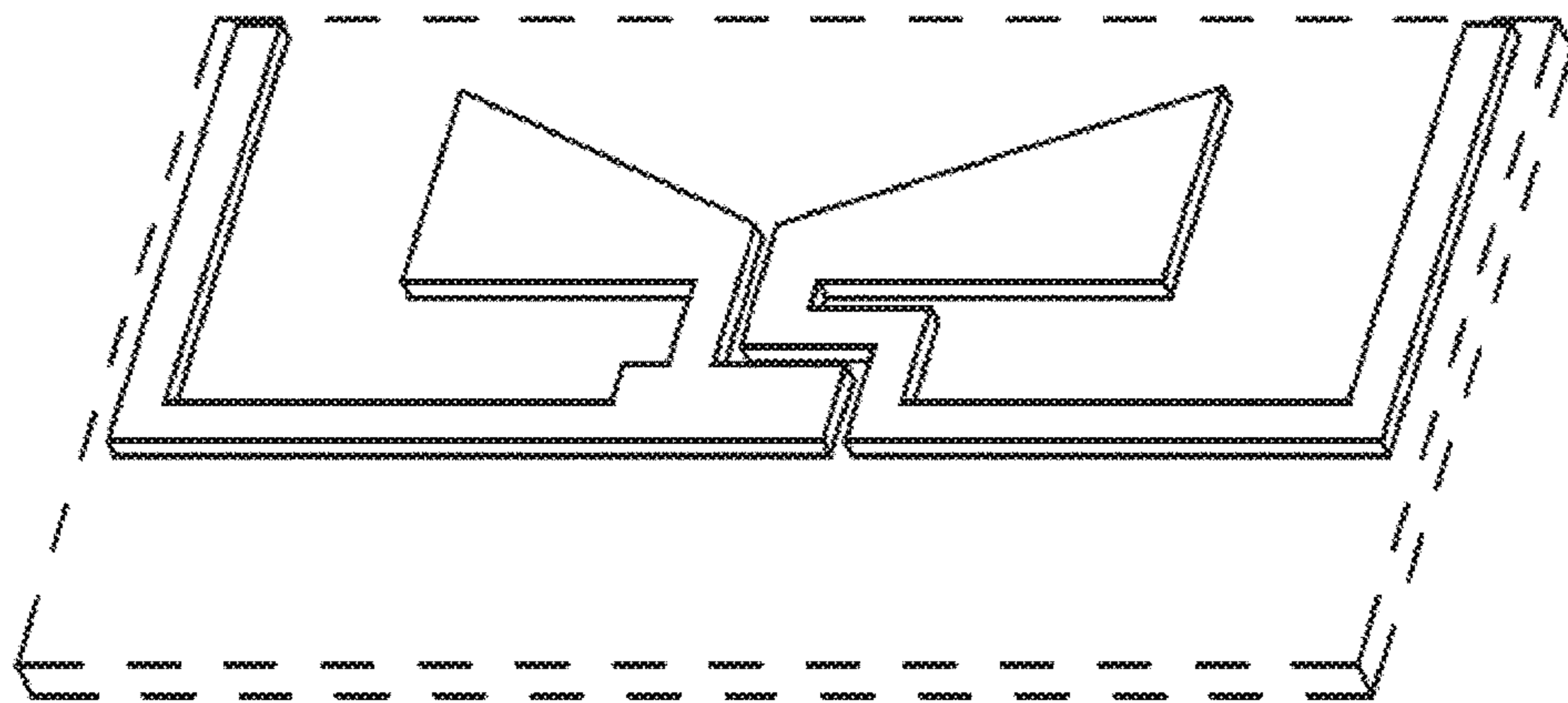


FIG. 5

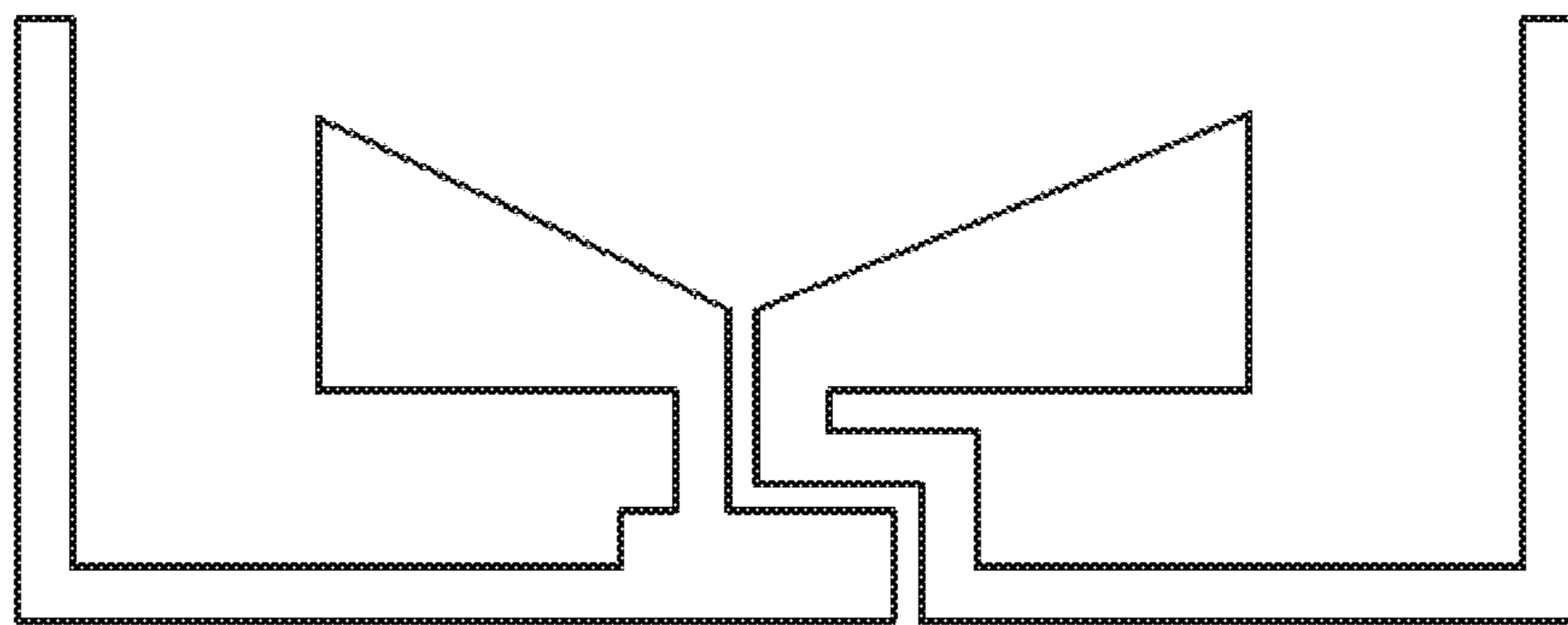


FIG. 6



FIG. 7

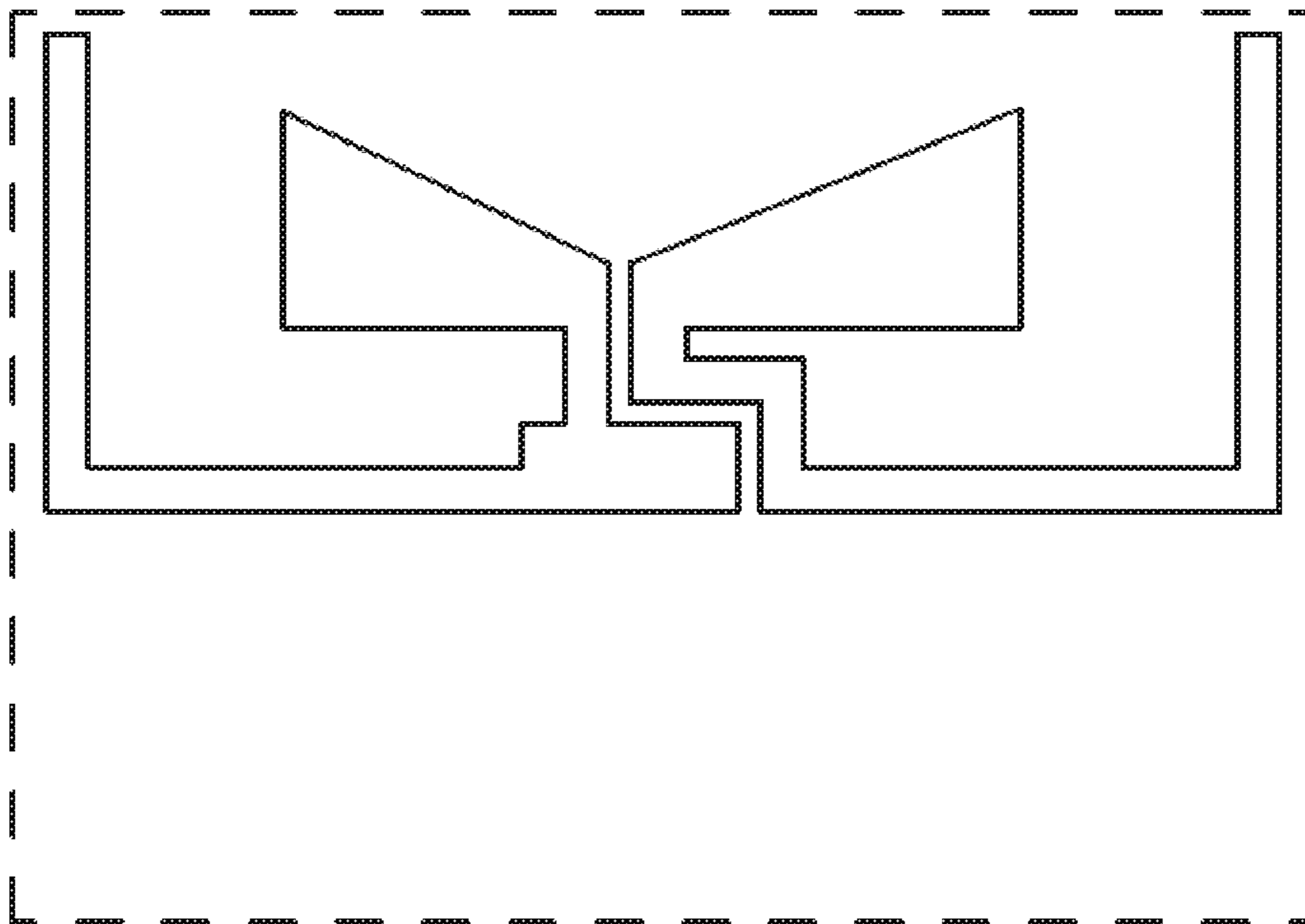


FIG. 8



FIG. 9



FIG. 10



FIG. 11

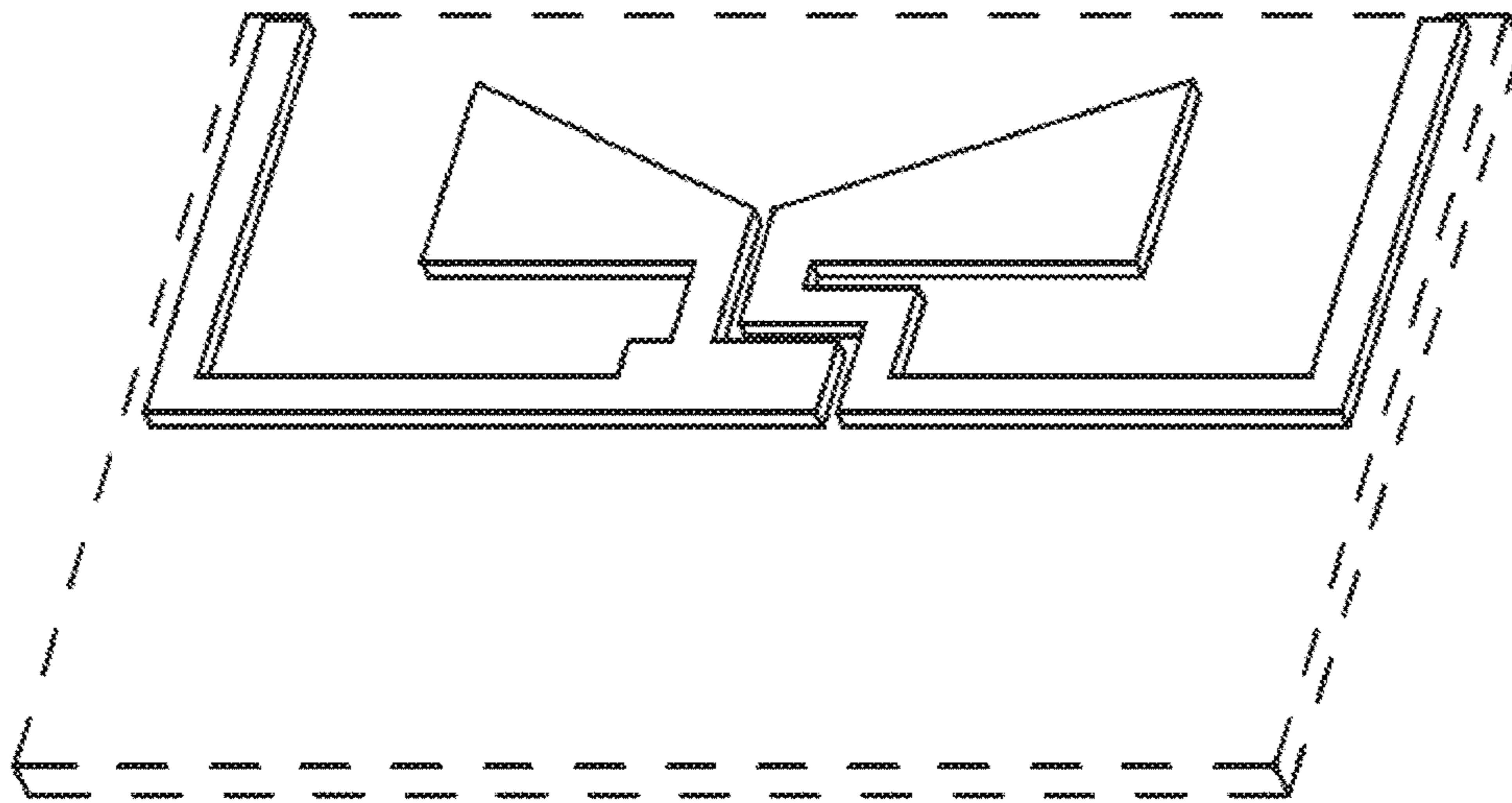


FIG. 12