



US00D788081S

(12) **United States Design Patent**
Austin-Smith

(10) **Patent No.:** **US D788,081 S**

(45) **Date of Patent:** **** May 30, 2017**

(54) **MICROPHONE WITH HOLDER FOR CELL PHONE OR CAMERA**

(71) Applicant: **Worlds Apart Limited**, St Columb Major (GB)

(72) Inventor: **James Austin-Smith**, St Columb Major (GB)

(73) Assignee: **Worlds Apart Limited** (GB)

(**) Term: **15 Years**

(21) Appl. No.: **29/561,172**

(22) Filed: **Apr. 14, 2016**

(30) **Foreign Application Priority Data**

Feb. 19, 2016 (EP) 002993238

(51) **LOC (10) Cl.** **14-01**

(52) **U.S. Cl.**
USPC **D14/226**

(58) **Field of Classification Search**

USPC D14/225, 226, 228, 229; 181/129, 130, 181/135; 379/430, 431; D8/355, 394, D8/396; 381/364, 363, 355, 361, 362, 381/189, 360; 248/411, 454, 453, 448, 248/447, 515, 638, 559, 636, 562, 229.26, 248/316.7

CPC . H04R 1/02; H04R 1/04; H04R 25/00; H04R 5/027; H04R 5/00; G03B 17/00; H04M 1/05

See application file for complete search history.

(56) **References Cited**

U.S. PATENT DOCUMENTS

2,595,054 A * 4/1952 Chesick F16M 13/02 248/411
D177,955 S * 6/1956 Arbogast D8/354
2,776,462 A * 1/1957 Burroughs H04R 1/08 248/122.1

3,155,780 A * 11/1964 Burroughs H04R 1/08 381/357
D213,051 S * 12/1968 Herrold, III D14/228
D213,567 S * 3/1969 Kahn D14/228
3,452,955 A * 7/1969 Hartwig H04R 1/08 248/229.26
3,653,625 A * 4/1972 Plice H04R 1/08 188/322.5
D247,707 S * 4/1978 Armstrong D14/228
D250,222 S * 11/1978 Clark D17/22

(Continued)

FOREIGN PATENT DOCUMENTS

CN 200730146306.9 11/2008
CN 201530002404.X 4/2015

(Continued)

OTHER PUBLICATIONS

“Review: Which is the right new GoPro for you?” USA Today [Online]—Oct. 4, 2014, Retrieved from the internet: URL: <<http://www.usatoday.com/story/tech/columnist/talkingtech/2014/10/04/gopro-hero-4-review/16599369/>>.

Primary Examiner — Paula Greene

(74) *Attorney, Agent, or Firm* — Woodard Emhardt Moriarty McNett & Henry LLP

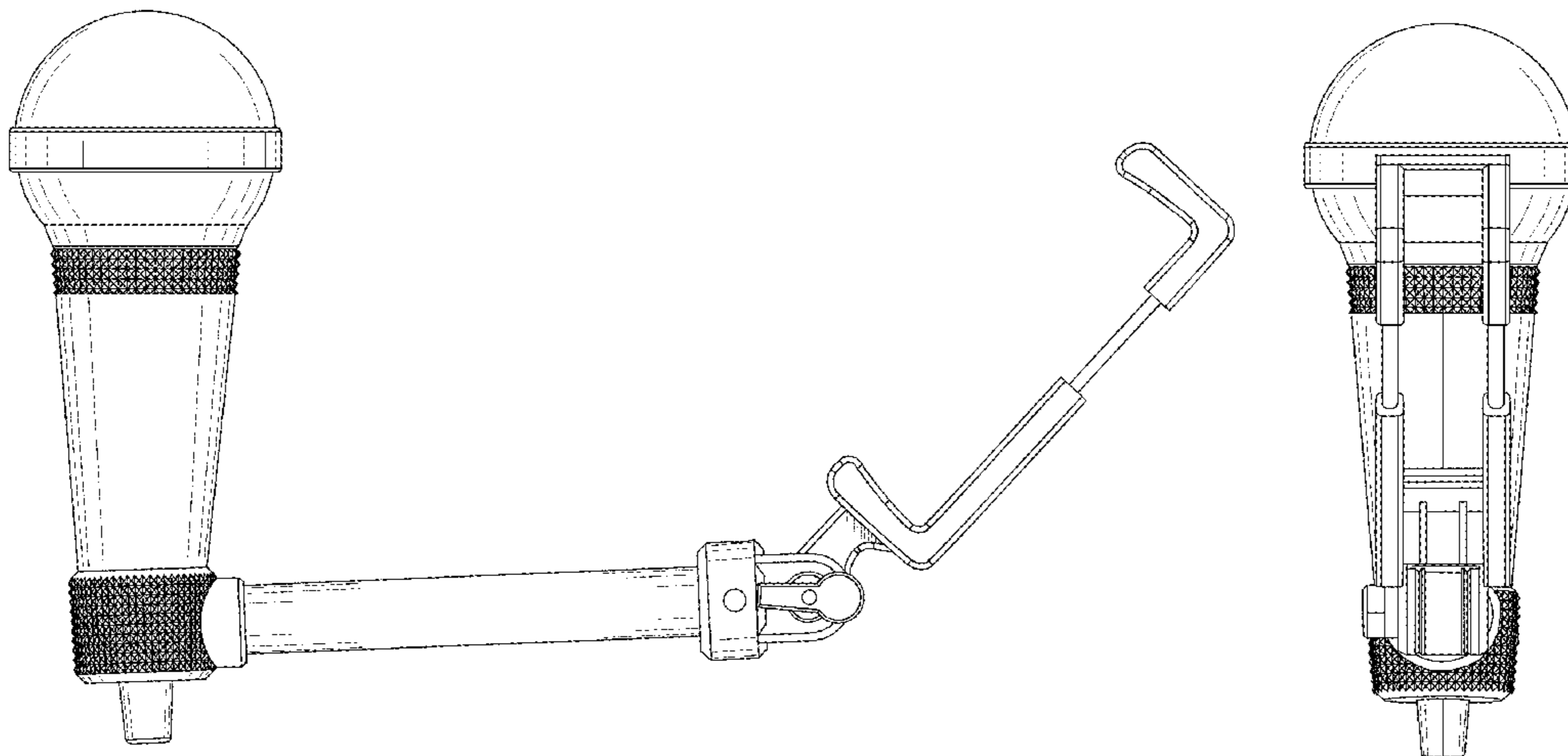
(57) **CLAIM**

I claim The ornamental design for a microphone with holder for cell phone or camera, as shown and described.

DESCRIPTION

FIG. 1 is a top view of a microphone with holder for cell phone or camera showing my new design;
FIG. 2 is a left side view thereof;
FIG. 3 is a front view thereof;
FIG. 4 is a right side view thereof;
FIG. 5 is a bottom view thereof; and,
FIG. 6 is a back view thereof.

1 Claim, 6 Drawing Sheets



(56)

References Cited

U.S. PATENT DOCUMENTS

4,194,096 A * 3/1980 Ramsey H04R 1/08
381/363
4,344,184 A * 8/1982 Edwards H04B 1/04
343/702
4,466,596 A * 8/1984 Cohen G10G 5/00
248/231.41
4,577,070 A * 3/1986 Shulman H04R 1/08
248/104
4,633,045 A * 12/1986 Bartlett H04R 1/38
381/345
4,752,794 A * 6/1988 Bohannon F16M 11/2028
362/11
D305,026 S * 12/1989 Wolf D14/229
4,910,795 A * 3/1990 McCowen H04R 1/083
381/355
D310,368 S * 9/1990 Derhaag D14/225
5,144,677 A * 9/1992 Asakura H04R 1/086
381/150
5,706,359 A * 1/1998 Chang H04R 1/08
381/355
5,742,697 A * 4/1998 Ching-Chung H04R 1/083
381/355
5,988,585 A * 11/1999 Eaton H04R 1/08
248/559
6,061,457 A * 5/2000 Stockhamer H04R 1/00
367/140
D435,037 S * 12/2000 Liu D14/228
6,201,877 B1 * 3/2001 Chang H04R 1/08
381/364
D444,782 S * 7/2001 Chung D14/228
D449,041 S * 10/2001 Koike D14/228
6,424,724 B1 * 7/2002 Ming-Cheng H04R 1/08
381/355
D462,343 S * 9/2002 Wang D14/225
6,463,159 B1 * 10/2002 Ming-Cheng H04R 1/08
381/355
6,498,859 B2 * 12/2002 Kuerti H04R 3/002
381/361
D475,699 S * 6/2003 Thornton D14/228
6,597,796 B2 * 7/2003 Chang H04R 1/08
338/178
D479,836 S * 9/2003 Thornton D14/228
6,671,382 B2 * 12/2003 Chen H04R 1/08
381/189
D498,232 S * 11/2004 Ruhrig D14/228

D499,042 S * 11/2004 Schnur D11/26
6,842,528 B2 * 1/2005 Kuerti H04R 3/002
381/361
D504,678 S * 5/2005 Ruhrig D14/228
D507,262 S * 7/2005 Liu D14/228
6,968,070 B1 * 11/2005 Chiang H04R 1/08
381/355
D530,705 S * 10/2006 Shen D14/225
7,204,650 B2 * 4/2007 Ghanouni G03B 17/00
396/420
D563,396 S * 3/2008 Probst D14/228
D579,928 S * 11/2008 Murata D14/229
D585,434 S * 1/2009 Ganley D14/225
D618,222 S * 6/2010 Kallas D14/229
8,180,087 B2 * 5/2012 Wu H01R 31/06
381/122
D713,391 S * 9/2014 Ibuki D14/228
D737,252 S * 8/2015 Fereday D14/225
D772,205 S * 11/2016 Sunwoo D14/229
2003/0035561 A1 * 2/2003 Hsieh H04R 1/08
381/361
2004/0223752 A1 * 11/2004 Ghanouni G03B 17/00
396/419
2005/0157892 A1 * 7/2005 Chiu H04B 5/06
381/111
2007/0053680 A1 * 3/2007 Fromm F16M 11/14
396/420
2016/0091139 A1 * 3/2016 Levine F16M 13/04
294/139

FOREIGN PATENT DOCUMENTS

CN 201530022674.7 5/2015
CN 204459699 U 7/2015
CN 104819371 A 8/2015
CN 104848019 A 8/2015
CN 105351712 A 2/2016
CN 205017507 U 2/2016
CN 105472273 A 4/2016
CN 105491293 A 4/2016
DE 25 55 761 A1 6/1977
EP 00650320-0003 2/2007
EP 000650320-0004 2/2007
EP 000650320-0005 2/2007
EP 002963595-0001 2/2016
WO WO 2007/028618 3/2007
WO WO 2016/103244 A1 6/2016

* cited by examiner

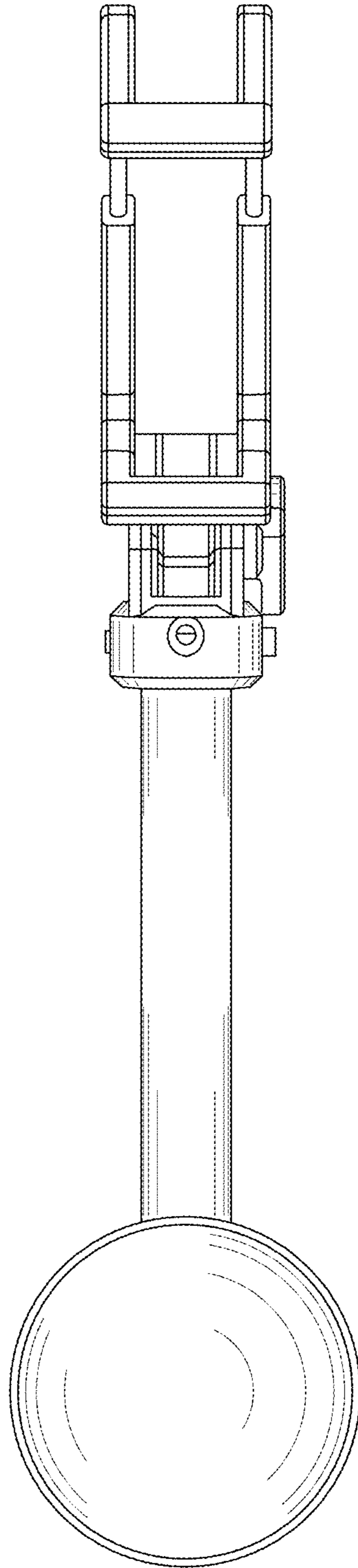


Fig. 1

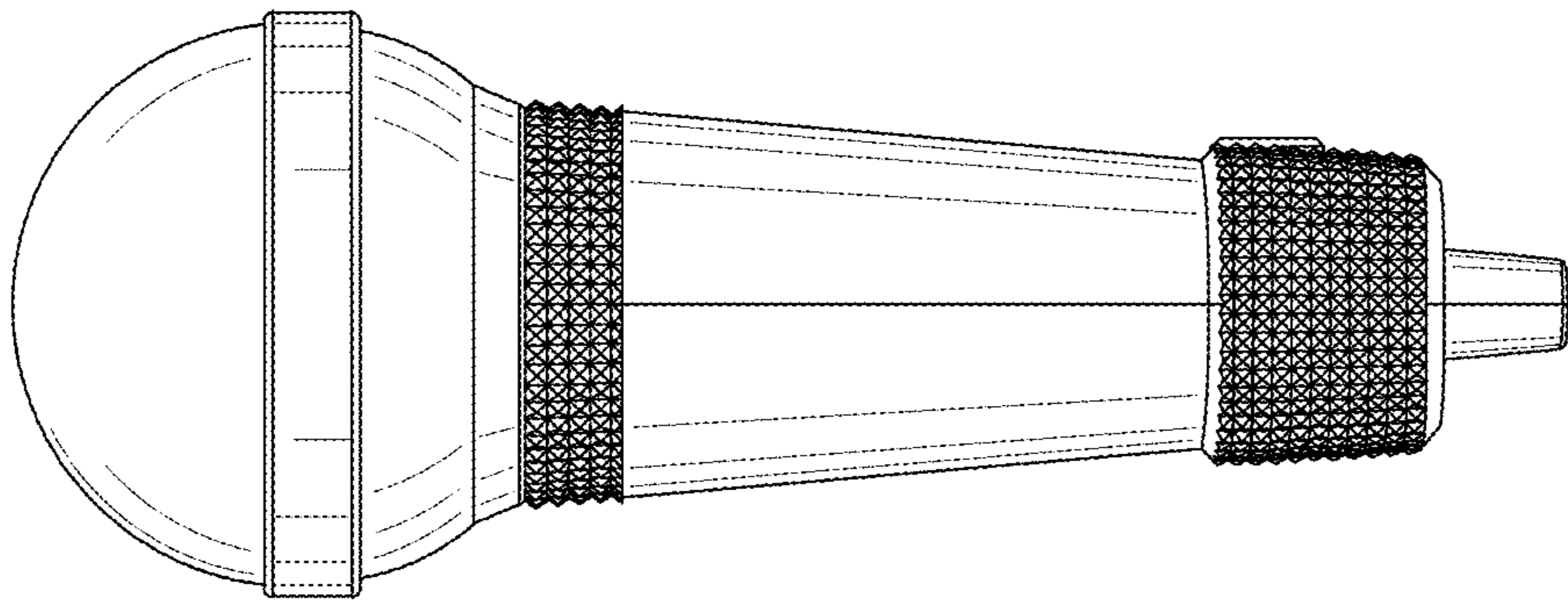


Fig. 2

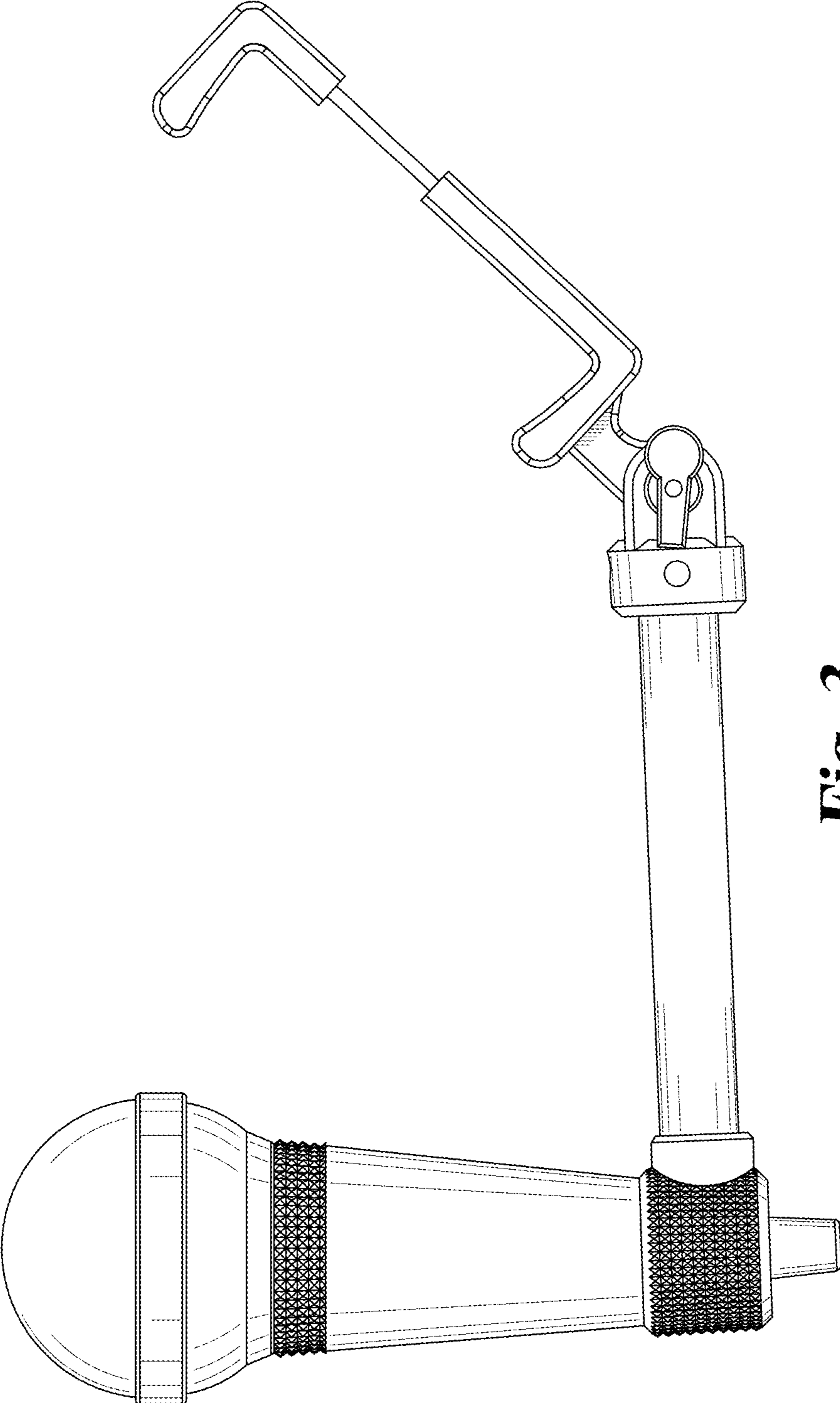


Fig. 3

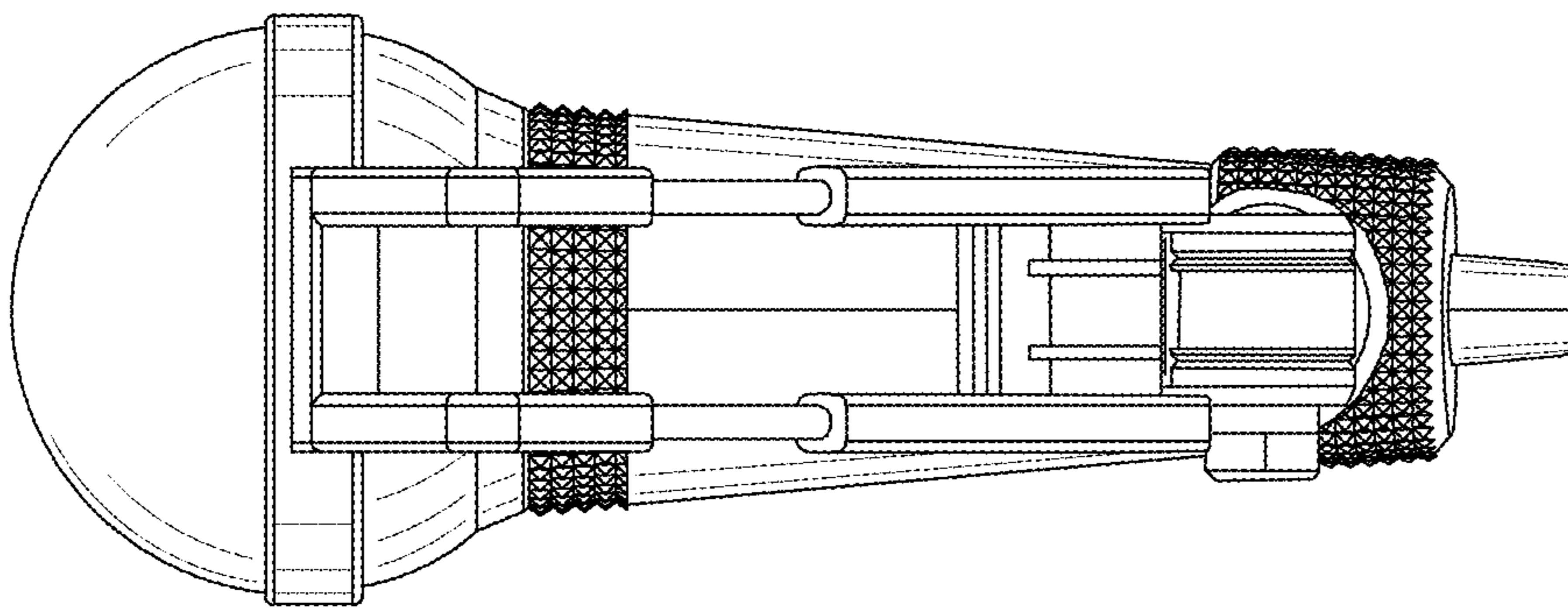


Fig. 4

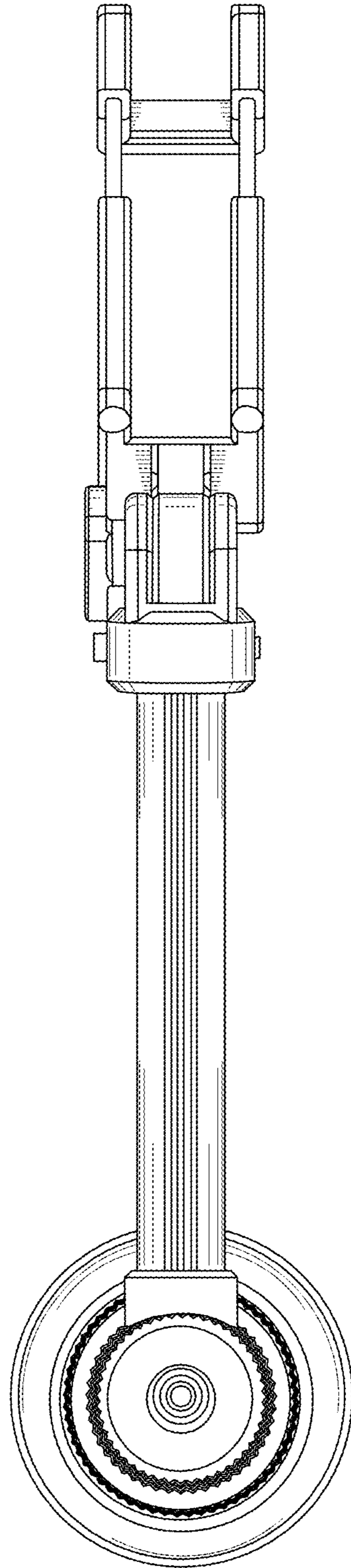


Fig. 5

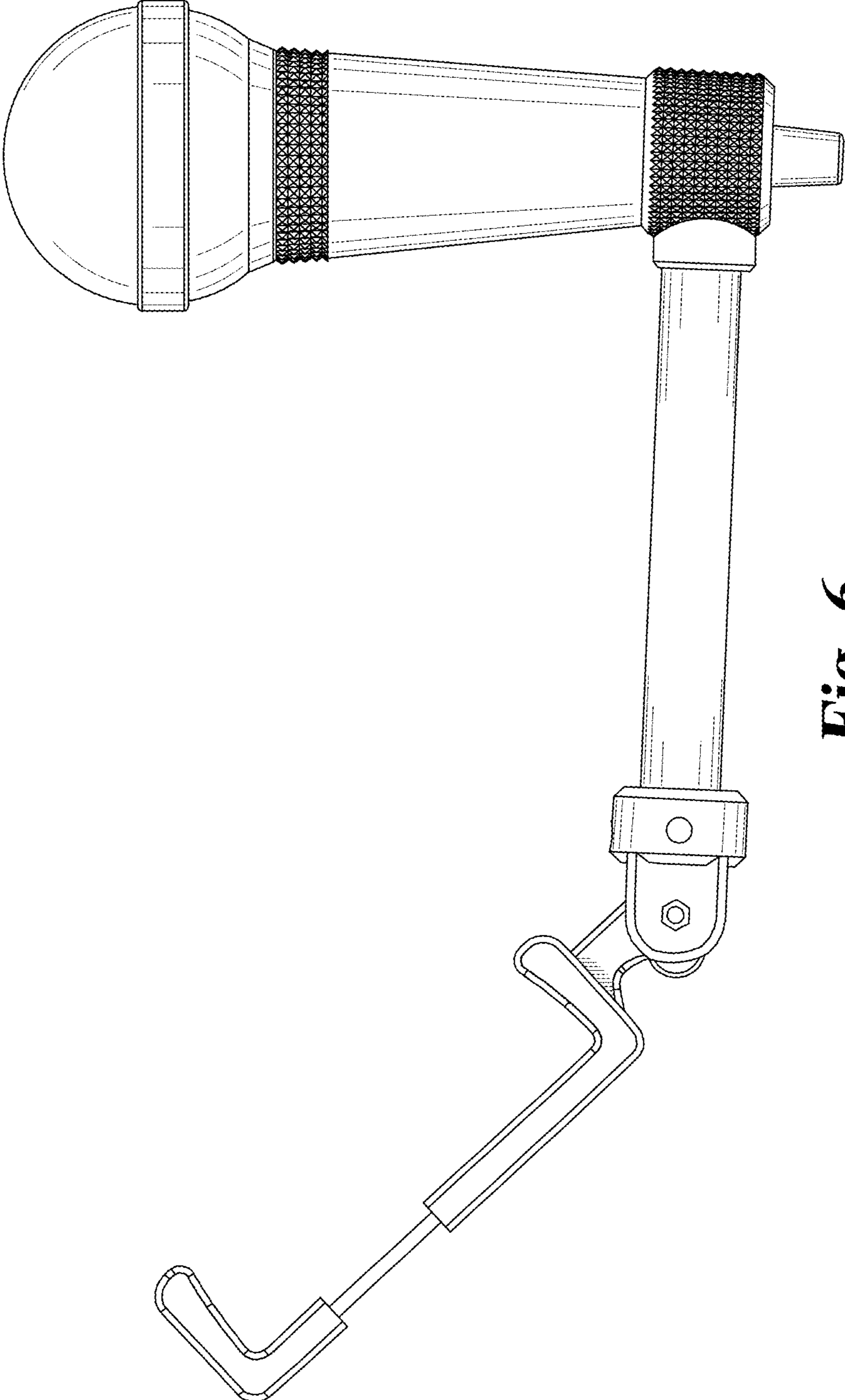


Fig. 6