



US00D788080S

(12) **United States Design Patent**  
**Turksu et al.**

(10) **Patent No.:** **US D788,080 S**  
(45) **Date of Patent:** **\*\* May 30, 2017**

(54) **HEADPHONE STAND WITH COMPUTER PORT**

(71) Applicant: **SARIANA, LLC**, San Diego, CA (US)

(72) Inventors: **Alan Turksu**, San Diego, CA (US);  
**Mustafa Burak Guclu**, San Diego, CA (US)

(73) Assignee: **SARIANA, LLC**, San Diego, CA (US)

(\*\*) Term: **15 Years**

(21) Appl. No.: **29/550,647**

(22) Filed: **Jan. 6, 2016**

(51) **LOC (10) Cl.** ..... **14-01**

(52) **U.S. Cl.**  
USPC ..... **D14/224**

(58) **Field of Classification Search**  
USPC ... D14/224, 205, 226, 223, 227, 229, 224.1,  
D14/250, 251, 155, 149; D6/315, 327;  
D7/683; D17/9, 13, 20; D16/136;  
D28/17, 61, 64.1, 38; D11/182, 144,  
D11/130.1, 130; 248/360, 312.1, 311.3,  
248/313; 211/85.18; 379/454, 447, 455,  
379/433.01; 381/151

CPC ..... H04M 1/05; H04R 25/00; A47K 5/04  
See application file for complete search history.

(56) **References Cited**

**U.S. PATENT DOCUMENTS**

1,165,840 A \* 12/1915 Brutus ..... A62C 13/78  
211/74  
1,475,605 A \* 11/1923 Smith ..... B60R 9/02  
206/315.3  
1,550,588 A \* 8/1925 Soldani ..... A47G 29/18  
248/313  
1,646,562 A \* 10/1927 Snow ..... B60R 11/00  
248/313

1,671,862 A \* 5/1928 Heinz ..... A61M 5/1415  
248/118  
D137,618 S \* 4/1944 Rolfer ..... 102/275.12  
D147,151 S \* 7/1947 Schinske ..... D13/107  
2,436,292 A \* 2/1948 De Mott ..... A47J 47/16  
248/311.3  
2,629,023 A \* 2/1953 La Fitte ..... H04M 1/05  
297/217.4  
2,878,324 A \* 3/1959 Guerrero ..... H04M 1/11  
379/447  
2,987,585 A \* 6/1961 Abysalh ..... H04M 1/0297  
248/301  
3,224,644 A \* 12/1965 Davis ..... B65D 83/267  
222/162  
3,693,923 A \* 9/1972 Ayoub ..... A47K 5/04  
211/73  
3,695,568 A \* 10/1972 Hogrebe ..... A47B 96/061  
248/222.51

(Continued)

*Primary Examiner* — Paula Greene

(74) *Attorney, Agent, or Firm* — Wagenknecht IP Law  
Group PC

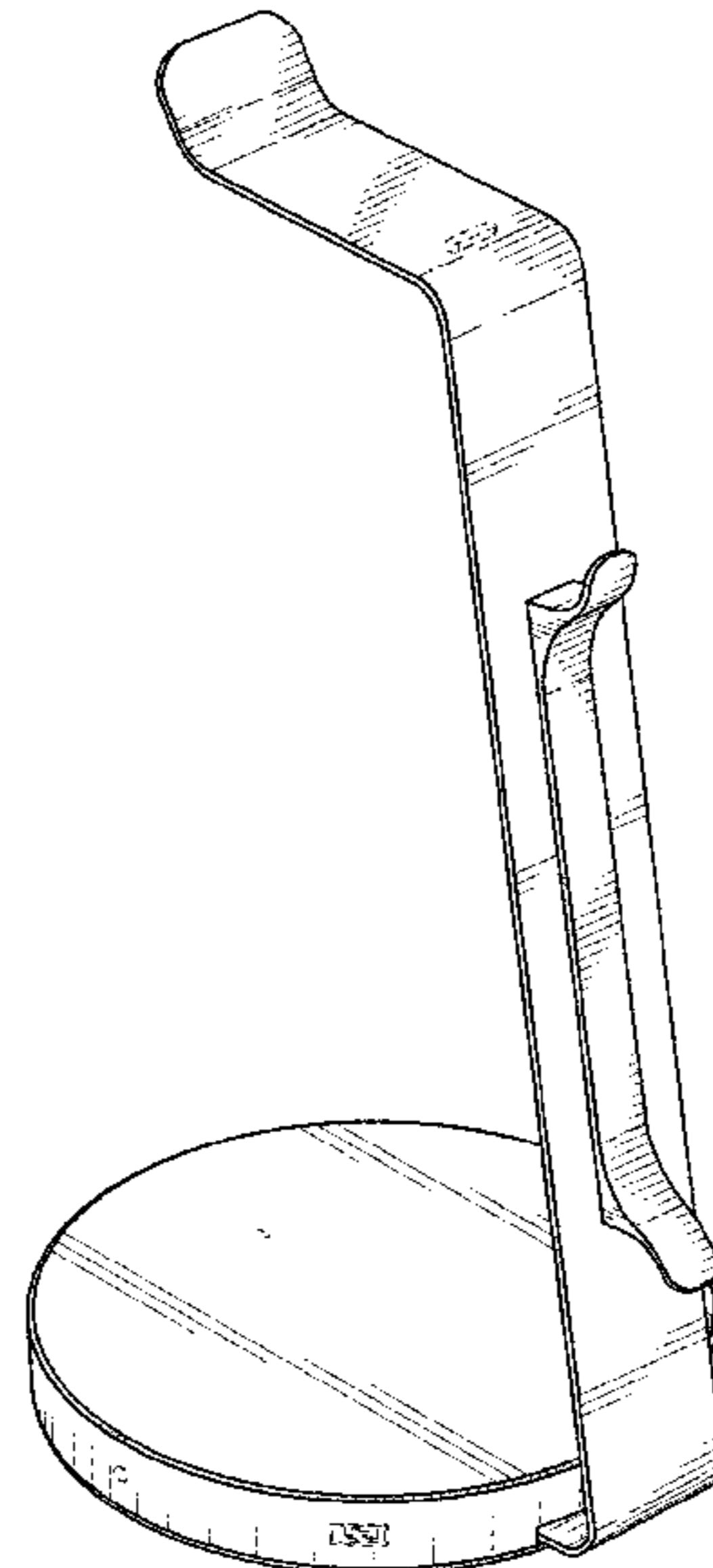
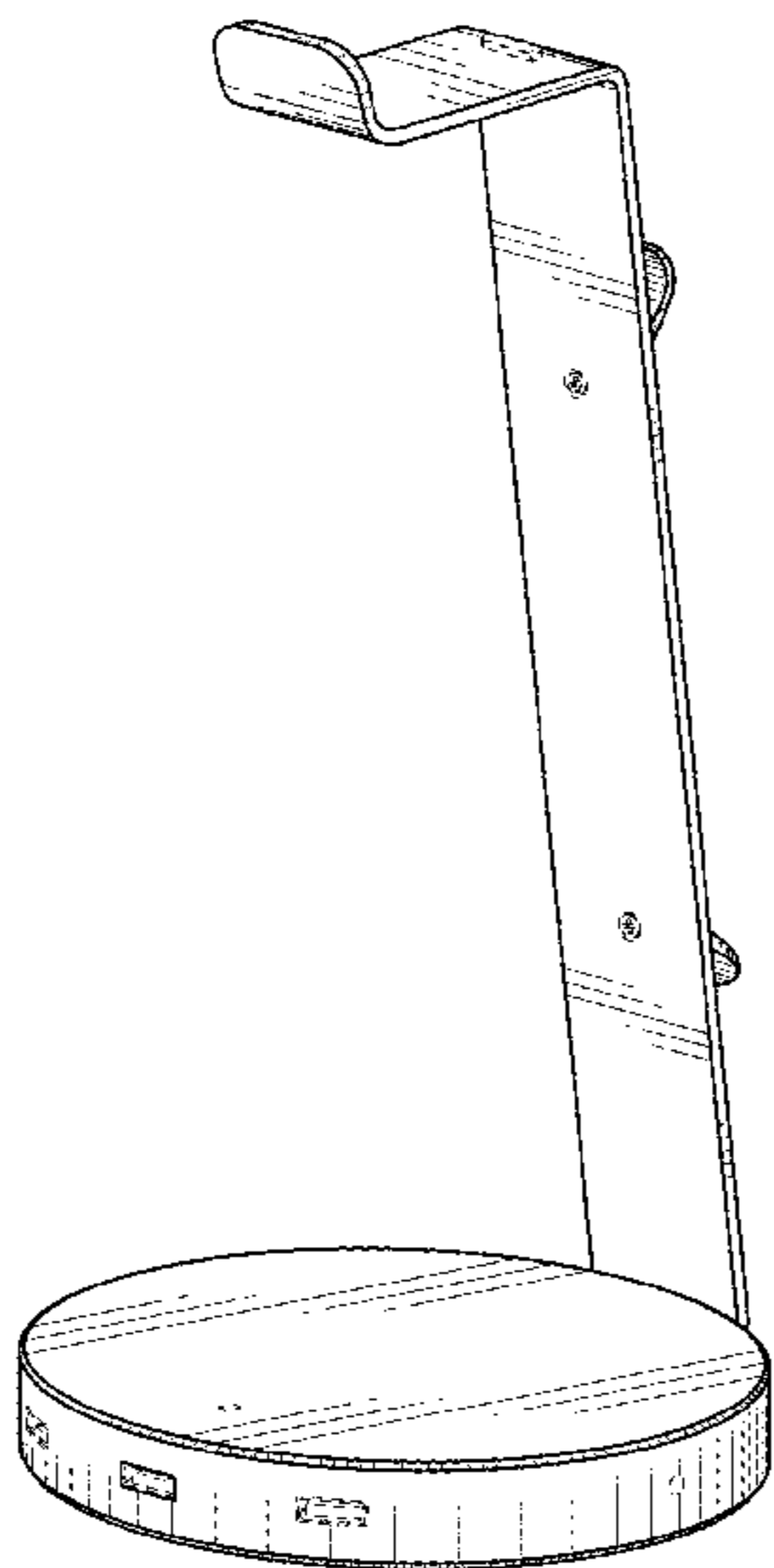
(57) **CLAIM**

What is claimed is an ornamental design for a headphone stand with computer port, as shown and described.

**DESCRIPTION**

FIG. 1 is a top, front, left perspective view of a headphone stand with computer port showing our new design; FIG. 2 is a top, back, left perspective view thereof; FIG. 3 is a front elevational view thereof; FIG. 4 is a back elevational view thereof; FIG. 5 is a right side elevational view thereof; FIG. 6 is a left side elevational view thereof; FIG. 7 is a top plan view thereof; and, FIG. 8 is a bottom plan view thereof. Wherein the broken lines are for illustrative purposes only and form no part of the claimed design.

**1 Claim, 4 Drawing Sheets**



(56)

References Cited

U.S. PATENT DOCUMENTS

D227,117 S \* 6/1973 Breger ..... D14/251  
 D230,014 S \* 1/1974 Edgell, Sr. .... D34/31  
 4,060,697 A \* 11/1977 Neal ..... A61F 4/00  
 4,527,018 A \* 7/1985 Offredi ..... H04M 1/04  
 379/446  
 D286,636 S \* 11/1986 Cooke ..... D14/253  
 D308,870 S \* 6/1990 Rioux, Jr. .... D14/251  
 D320,992 S \* 10/1991 Jondelius ..... D14/253  
 5,095,382 A \* 3/1992 Abe ..... H04B 10/114  
 320/107  
 D325,578 S \* 4/1992 Daido ..... D14/155  
 5,367,570 A \* 11/1994 Figueroa ..... H04M 1/04  
 379/428.01  
 D355,913 S \* 2/1995 Chong ..... D14/155  
 D357,016 S \* 4/1995 Li ..... D14/155  
 D357,248 S \* 4/1995 Cheng ..... D14/137  
 D387,784 S \* 12/1997 Nakamura ..... D14/155  
 D433,005 S \* 10/2000 McGugan ..... D14/142  
 D461,794 S \* 8/2002 Polito ..... D14/224

6,612,534 B2 \* 9/2003 Hennessey ..... F16M 11/28  
 248/161  
 D482,674 S \* 11/2003 Rath ..... D14/206  
 D496,029 S \* 9/2004 Skulley ..... D14/224  
 D553,106 S \* 10/2007 Griffin ..... D14/217  
 D564,501 S \* 3/2008 Rath ..... D14/224  
 D593,103 S \* 5/2009 Richter ..... D14/253  
 D593,998 S \* 6/2009 Bentley ..... D14/224  
 D595,697 S \* 7/2009 Mao ..... D14/205  
 D599,331 S \* 9/2009 Bentley ..... D14/224  
 D600,925 S \* 9/2009 Guffey ..... D6/327  
 D602,008 S \* 10/2009 Bentley ..... D14/205  
 D602,917 S \* 10/2009 Bentley ..... D14/224  
 D645,027 S \* 9/2011 Gougherty ..... D14/223  
 D662,089 S \* 6/2012 Gougherty ..... D14/224  
 D669,888 S \* 10/2012 Gougherty ..... D14/223  
 D684,145 S \* 6/2013 Rath ..... D14/206  
 D685,806 S \* 7/2013 Kim ..... D14/451  
 8,838,029 B2 \* 9/2014 Goldman ..... H04M 1/04  
 455/41.2  
 D765,623 S \* 9/2016 Yang ..... D14/224  
 2002/0003875 A1 \* 1/2002 Stewart ..... B60R 11/0241  
 379/433.01

\* cited by examiner

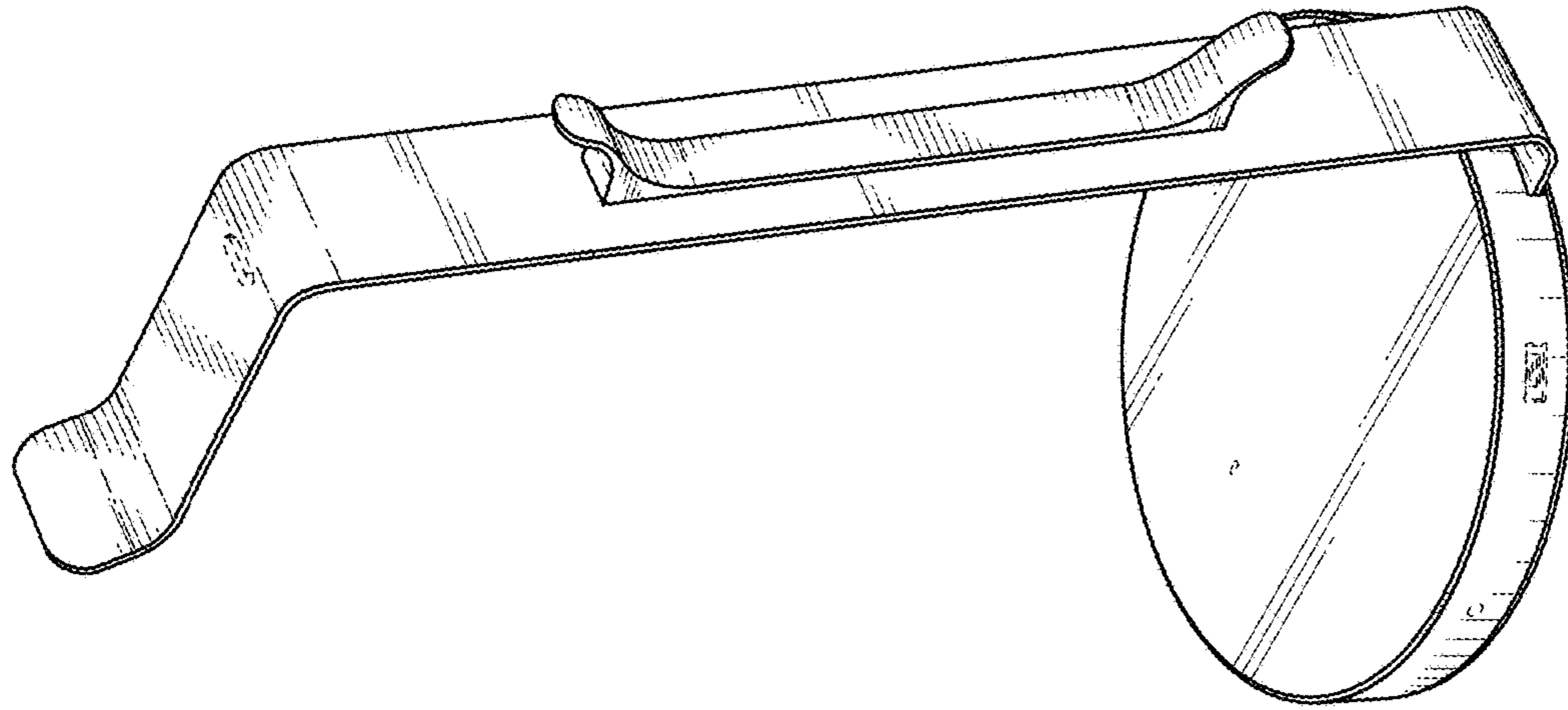


FIG. 2

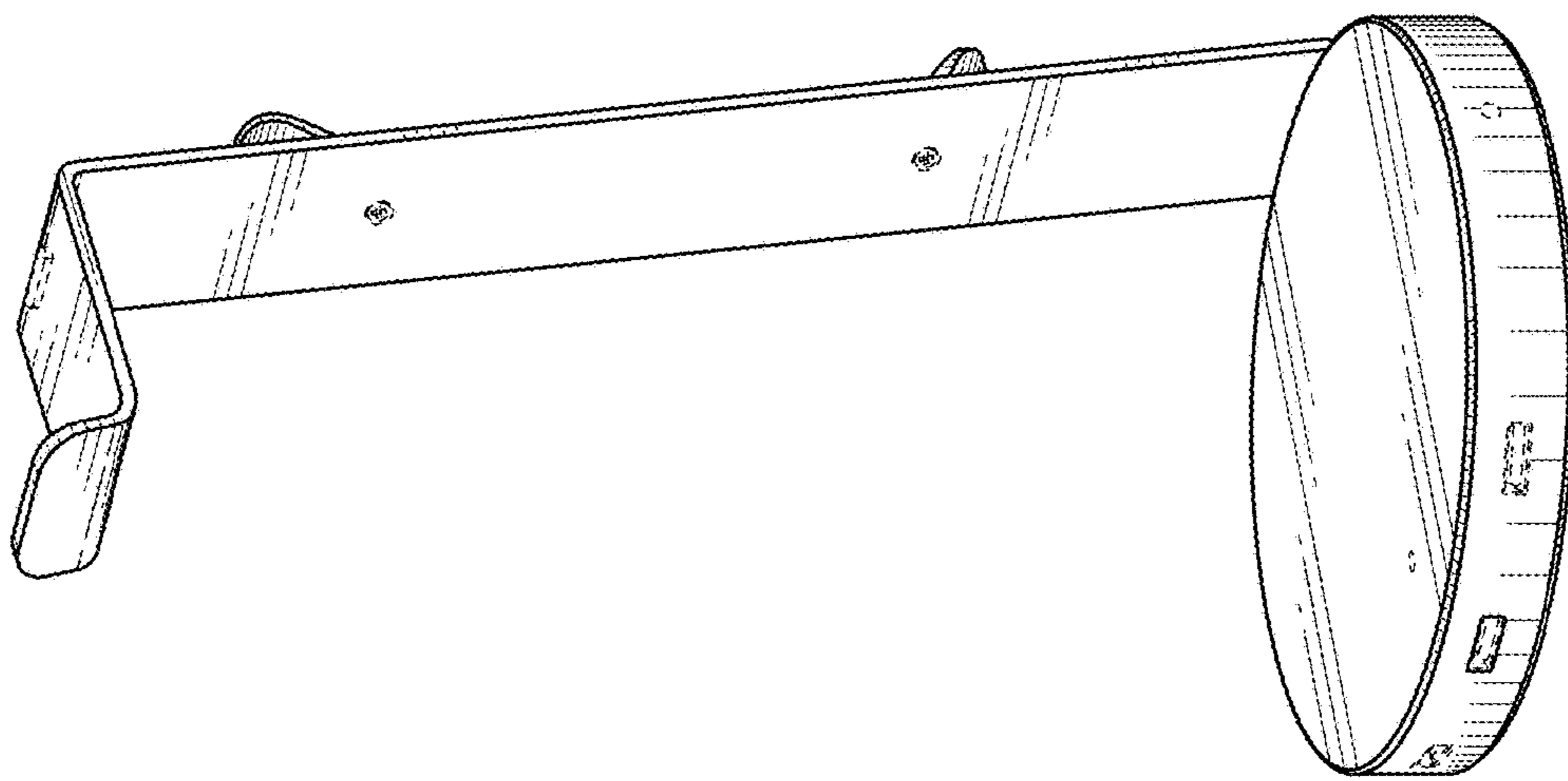


FIG. 1

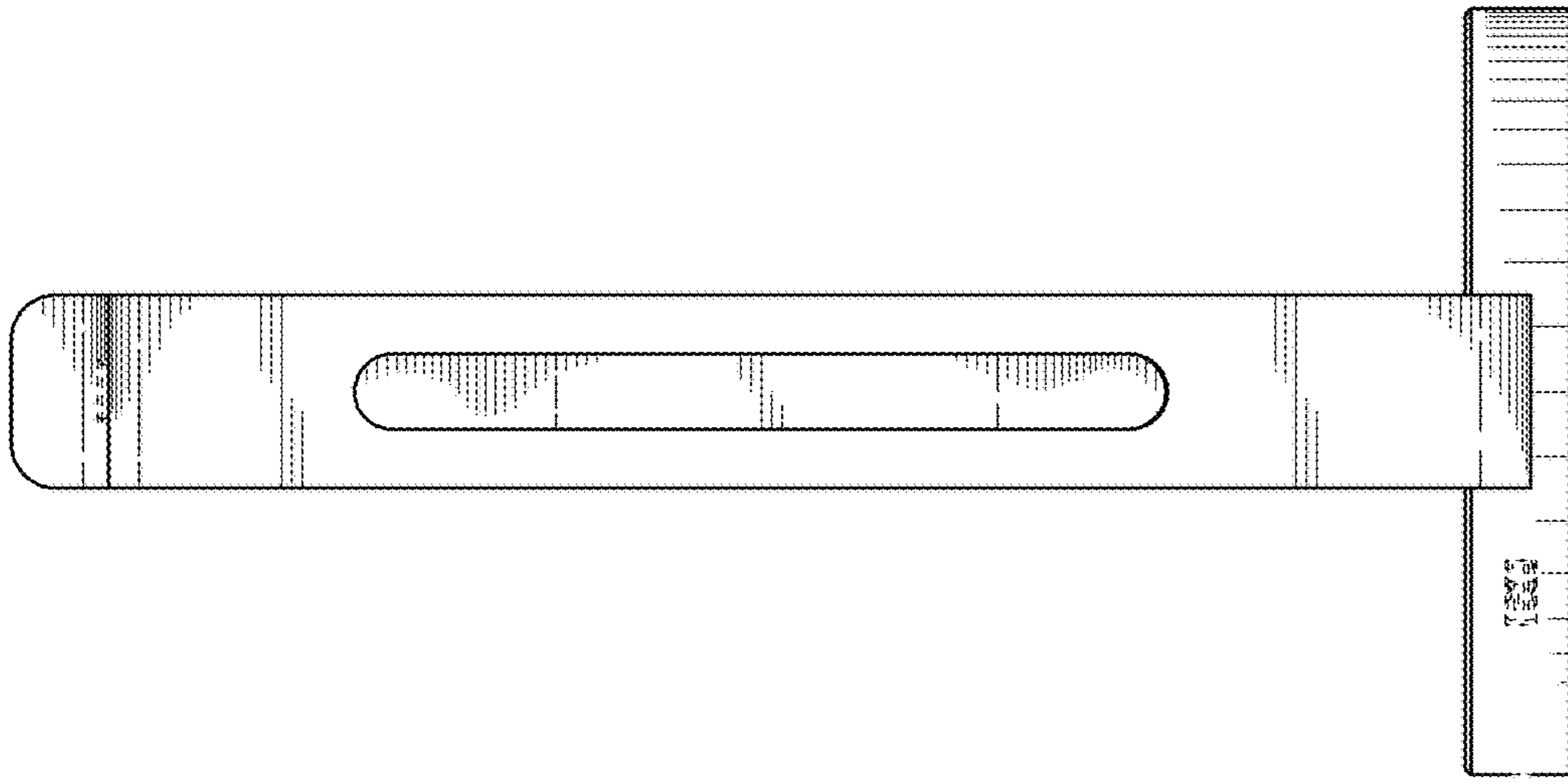


FIG. 4

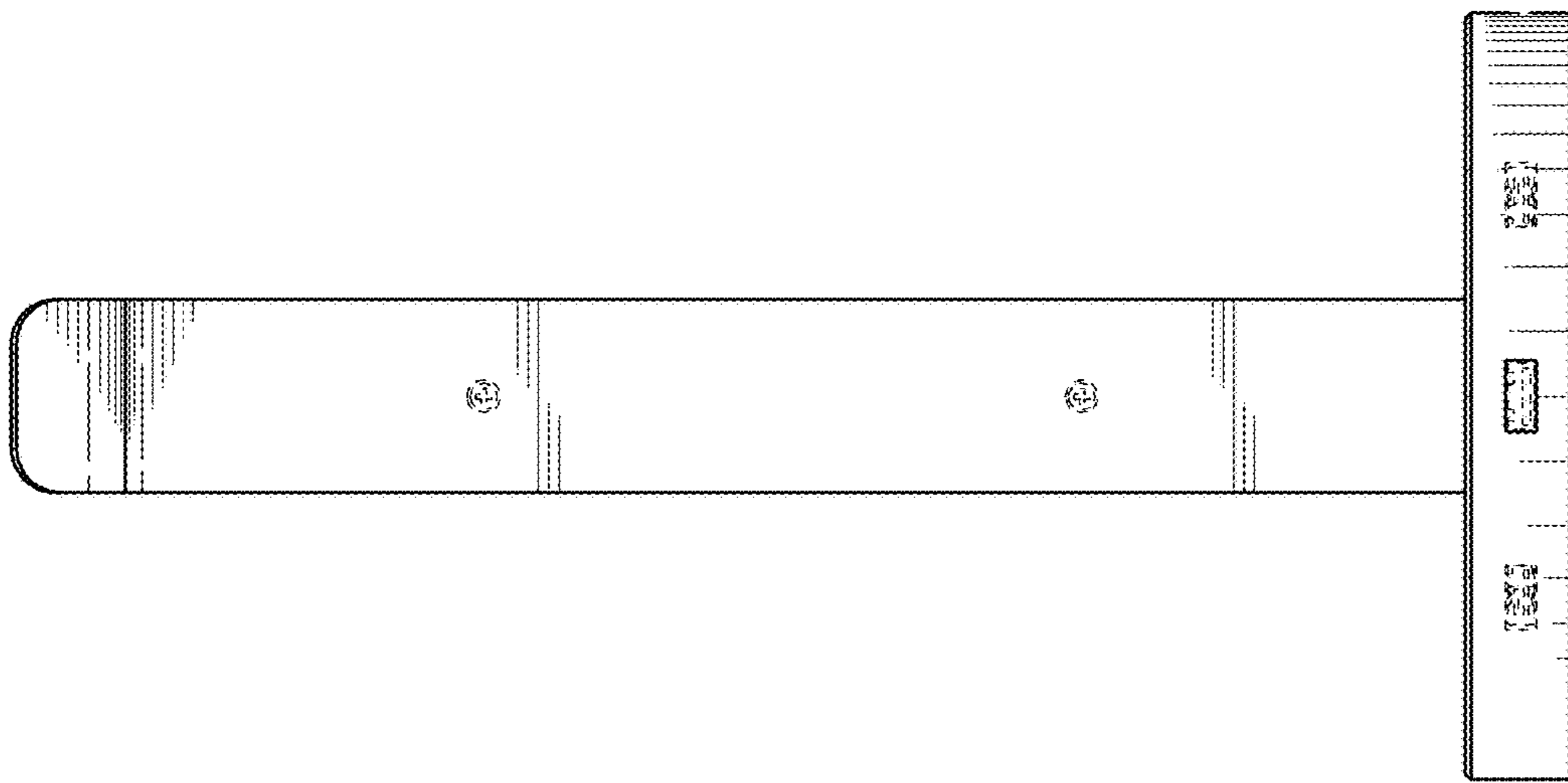


FIG. 3

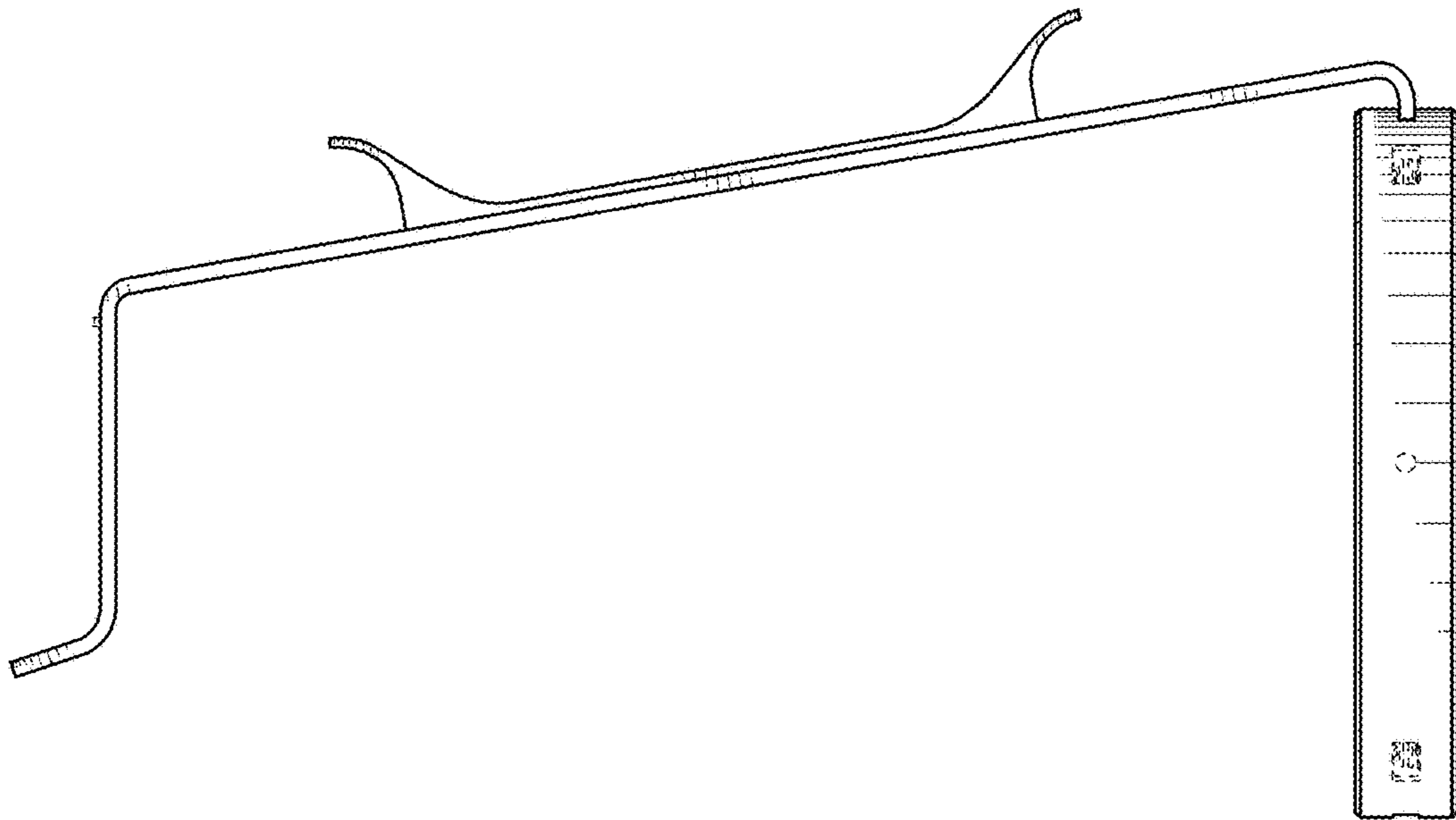


FIG. 5

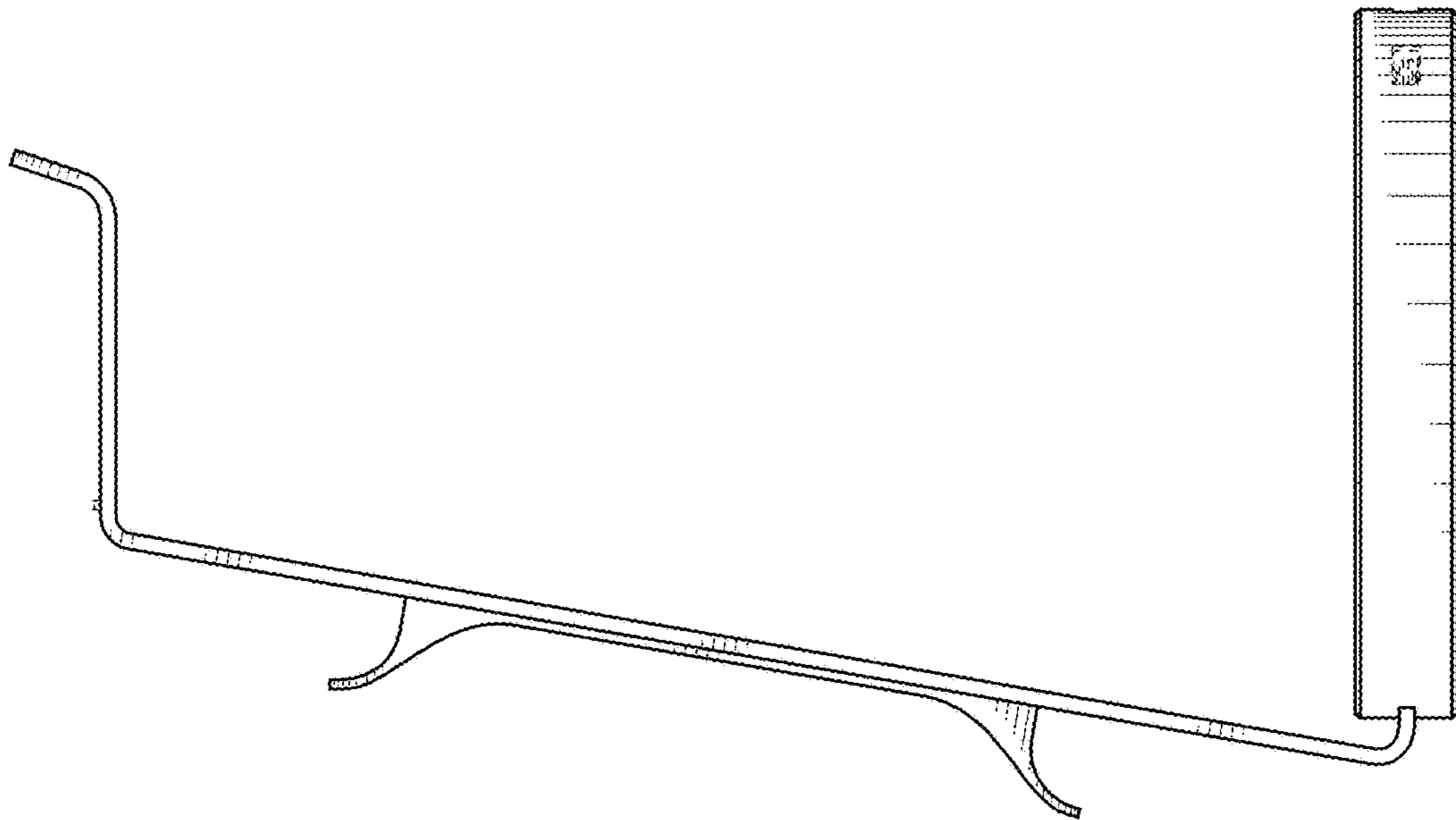


FIG. 6

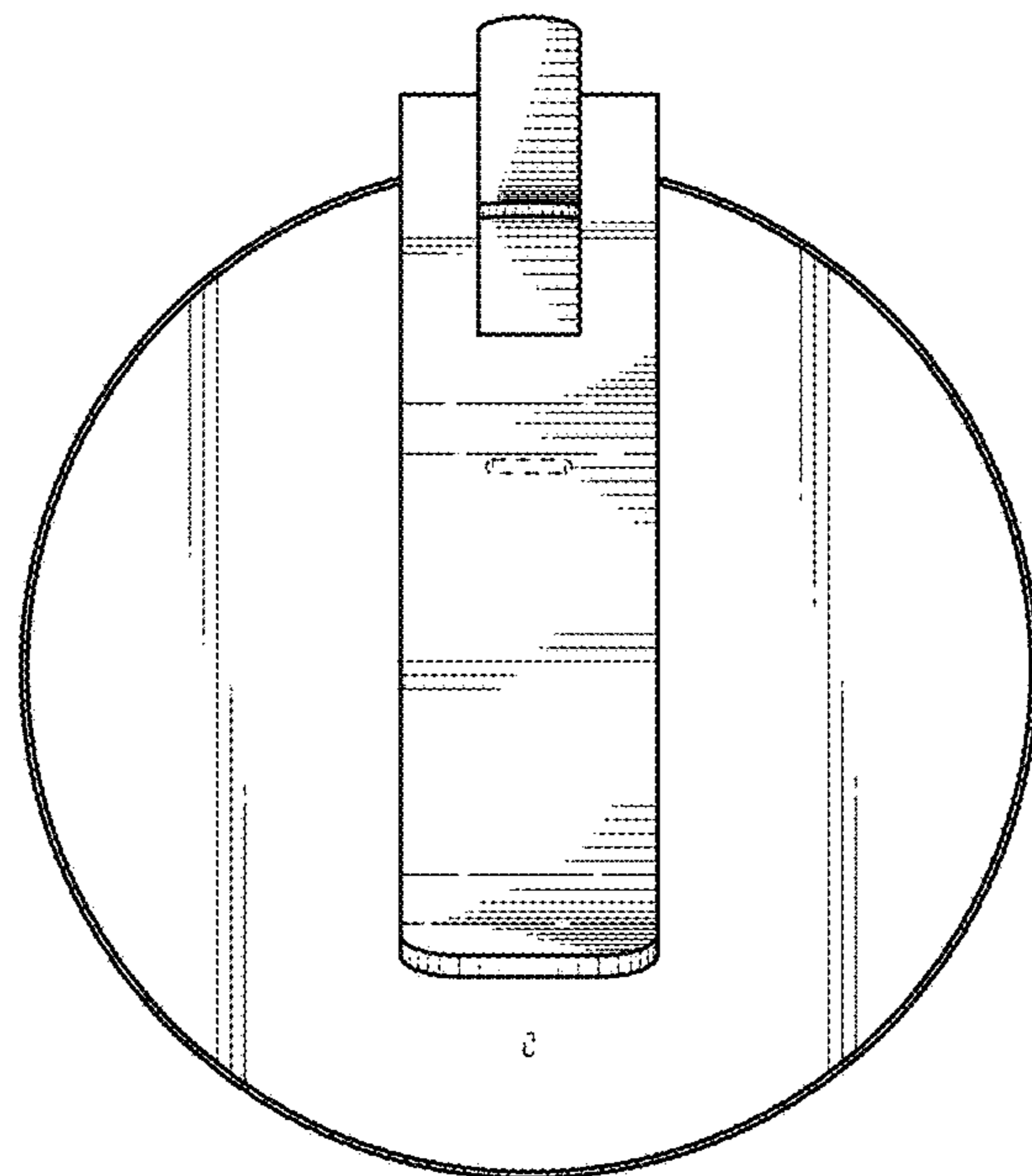


FIG. 7

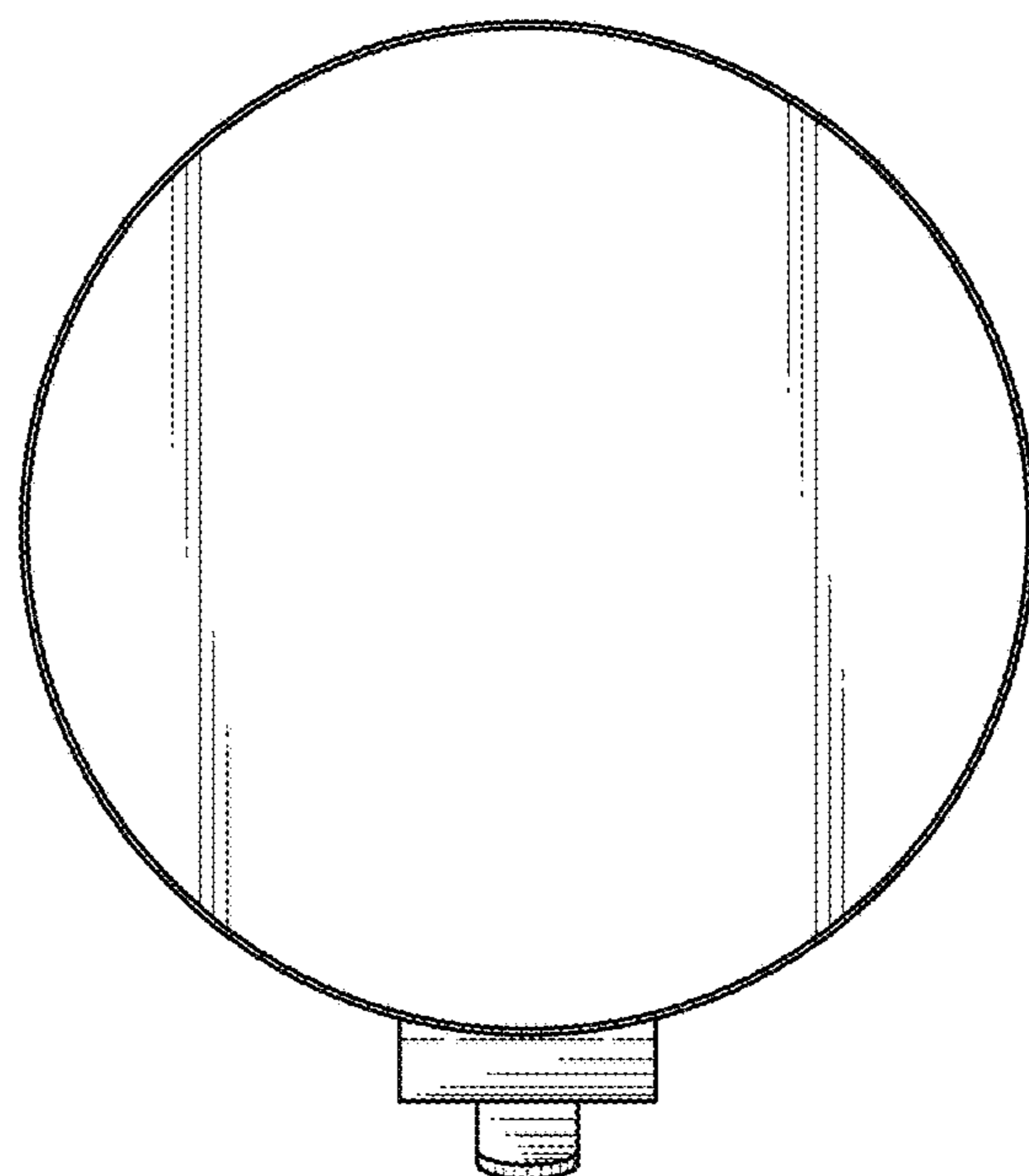


FIG. 8