



US00D788079S

(12) **United States Design Patent**
Son et al.

(10) **Patent No.:** **US D788,079 S**
(45) **Date of Patent:** **** May 30, 2017**

(54) **ELECTRONIC DEVICE**

(71) Applicant: **Samsung Electronics Co., Ltd.**,
Suwon-si (KR)

(72) Inventors: **Seounghyun Son**, San Francisco, CA
(US); **Howard Nuk**, San Francisco, CA
(US); **Dennis Miloseski**, Danville, CA
(US); **Rhys Bonahoom**, San Mateo, CA
(US); **Grace Lee**, San Francisco, CA
(US); **Jiyeon Lee**, San Francisco, CA
(US)

(73) Assignee: **Samsung Electronics Co., Ltd.**,
Suwon-si (KR)

(**) Term: **15 Years**

(21) Appl. No.: **29/550,940**

(22) Filed: **Jan. 8, 2016**

(51) **LOC (10) Cl.** **14-01**

(52) **U.S. Cl.**
USPC **D14/223**

(58) **Field of Classification Search**
USPC D14/223; D24/174; 181/129, 130, 135;
379/430, 431; 381/380, 381, 182, 374,
381/375, 370, 383, 385
CPC H04R 1/10; H04R 25/00; H04R 1/105;
H04R 1/1066; H04R 1/1016; H04R
1/1058; A61F 11/08
See application file for complete search history.

(56) **References Cited**

U.S. PATENT DOCUMENTS

D176,810 S *	1/1956	Norris	D14/192
D177,346 S *	4/1956	Norris	D14/192
D321,881 S *	11/1991	Hopewell	D14/192
D350,961 S *	9/1994	Nakamura	D14/205
D452,857 S *	1/2002	Hong	D14/206
D464,638 S *	10/2002	Huang	D14/205

D469,755 S *	2/2003	Hlas	D14/223
6,625,469 B1 *	9/2003	Hwang	H04B 1/385 379/433.01
D529,901 S *	10/2006	Ohta	D14/223
D543,972 S *	6/2007	Taylor	D14/223
D559,837 S *	1/2008	Nakano	D14/223
D574,814 S *	8/2008	Hammond	D14/205
D579,006 S *	10/2008	Kim	D14/223
D597,534 S *	8/2009	Christopher	D14/223
D603,380 S *	11/2009	Hutchieson	D14/223
D618,211 S *	6/2010	Oguro	D14/205
D621,817 S *	8/2010	Brickstad	D14/223
D635,558 S *	4/2011	Zheng	D14/206
7,949,127 B2 *	5/2011	Pedersen	H04R 1/1066 379/430
D652,817 S *	1/2012	Lee	D14/205

(Continued)

FOREIGN PATENT DOCUMENTS

EM 001231476-0002 7/2010

Primary Examiner — Paula Greene

(74) *Attorney, Agent, or Firm* — NSIP Law

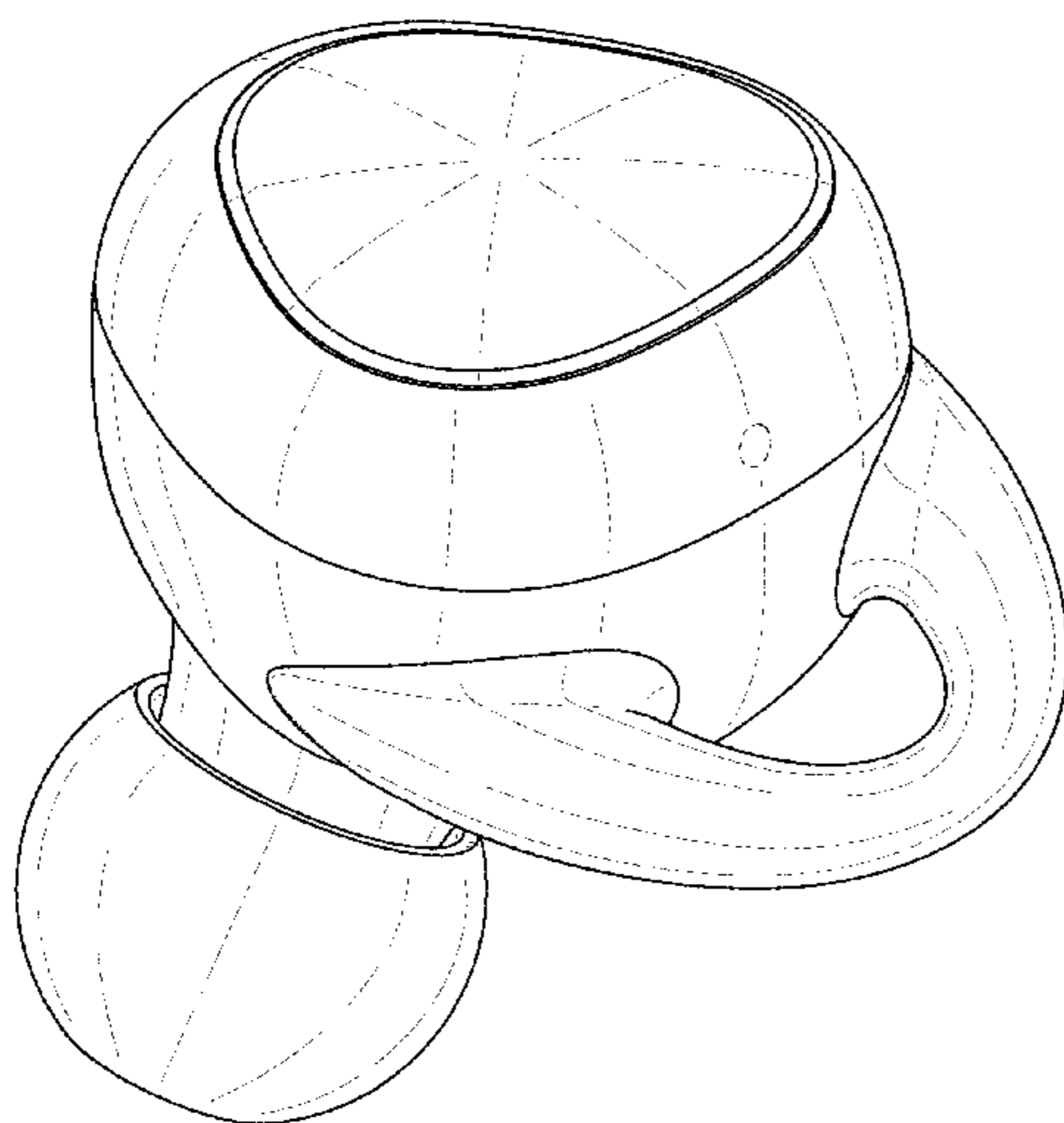
(57) **CLAIM**

We claim the ornamental design for an electronic device, as shown and described.

DESCRIPTION

FIG. 1 is a front perspective view of an electronic device showing our new design;
FIG. 2 is a front view thereof;
FIG. 3 is a rear view thereof;
FIG. 4 is a left-side view thereof;
FIG. 5 is a right-side view thereof;
FIG. 6 is a top view thereof;
FIG. 7 is a bottom view thereof; and,
FIG. 8 is a rear perspective view thereof.
The broken lines in the figures show portions of the electronic device which form no part of the claimed design.

1 Claim, 8 Drawing Sheets



(56)

References Cited

U.S. PATENT DOCUMENTS

D660,292	S *	5/2012	Rautiainen	D14/223
8,229,154	B2 *	7/2012	Ito	H04R 1/10 242/378.4
D666,581	S *	9/2012	Perez	D14/223
D681,602	S *	5/2013	Koch	D14/205
D699,215	S *	2/2014	Koch	D14/205
D705,757	S	5/2014	Yashiro	
D711,356	S *	8/2014	Yang	D14/223
8,983,108	B2 *	3/2015	Ho	H04R 1/1058 181/135
D729,775	S *	5/2015	Seo	D14/205
D733,103	S	6/2015	Jeong et al.	
D735,169	S *	7/2015	Shieh	D14/223
D773,439	S *	12/2016	Walker	D14/205
D777,710	S *	1/2017	Palmborg	D14/223
2011/0142276	A1 *	6/2011	Uchida	H04R 1/1075 381/370
2011/0176699	A1 *	7/2011	Lin	H04R 1/1016 381/374
2014/0064548	A1 *	3/2014	Chu	H04R 1/1091 381/380
2014/0205125	A1 *	7/2014	Triato	H04R 1/105 381/330

* cited by examiner

FIG. 1

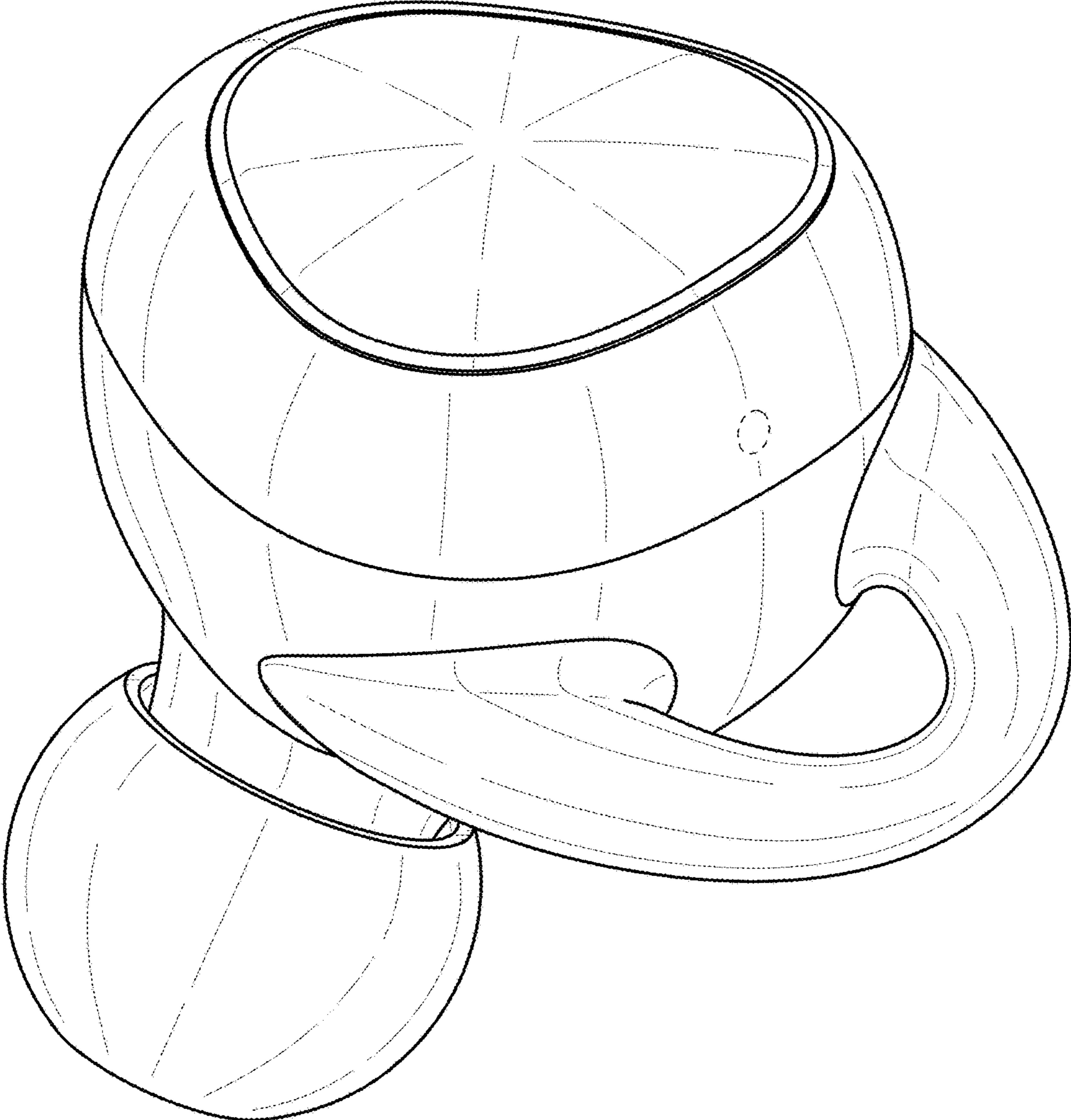


FIG. 2

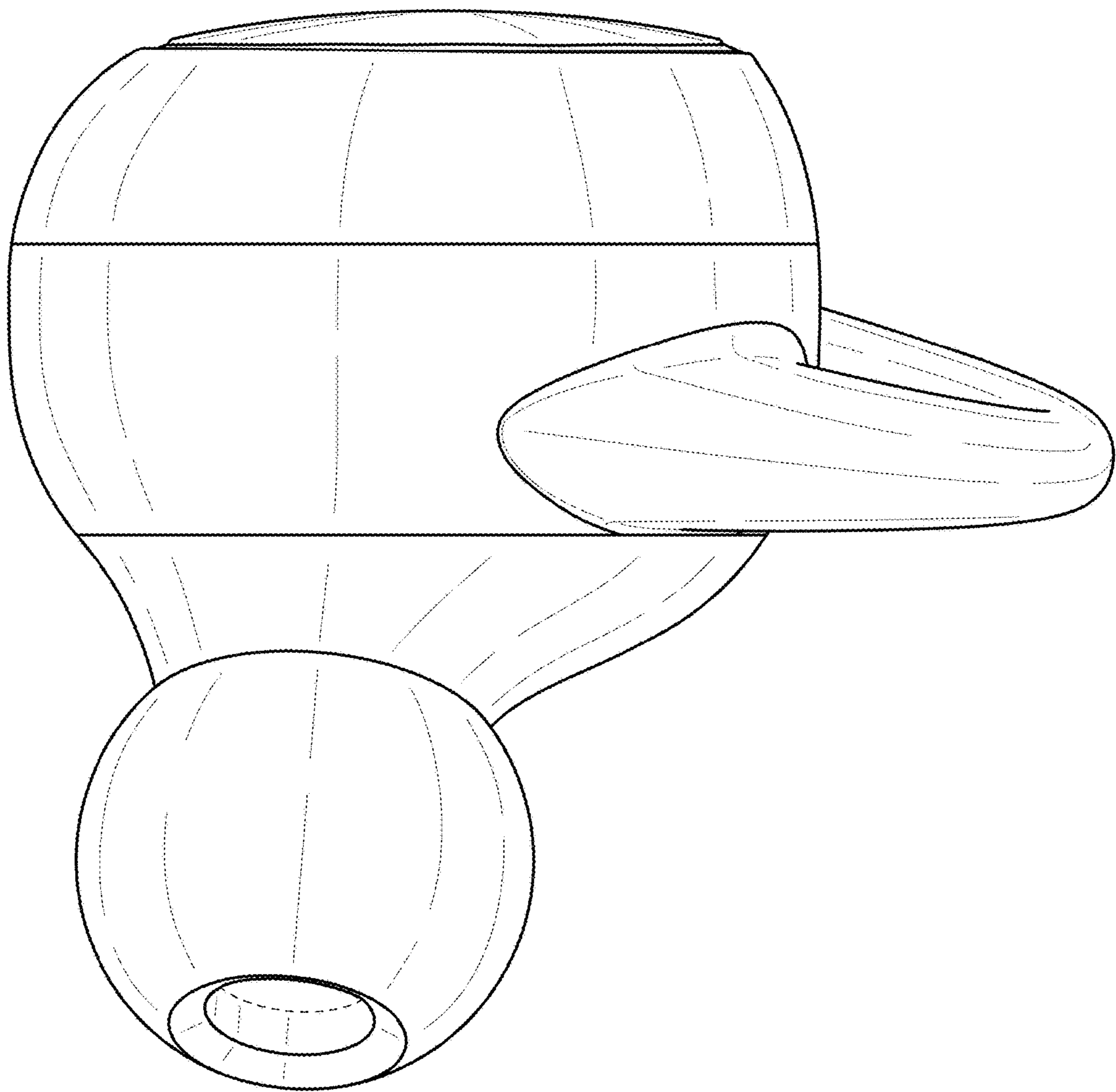


FIG. 3

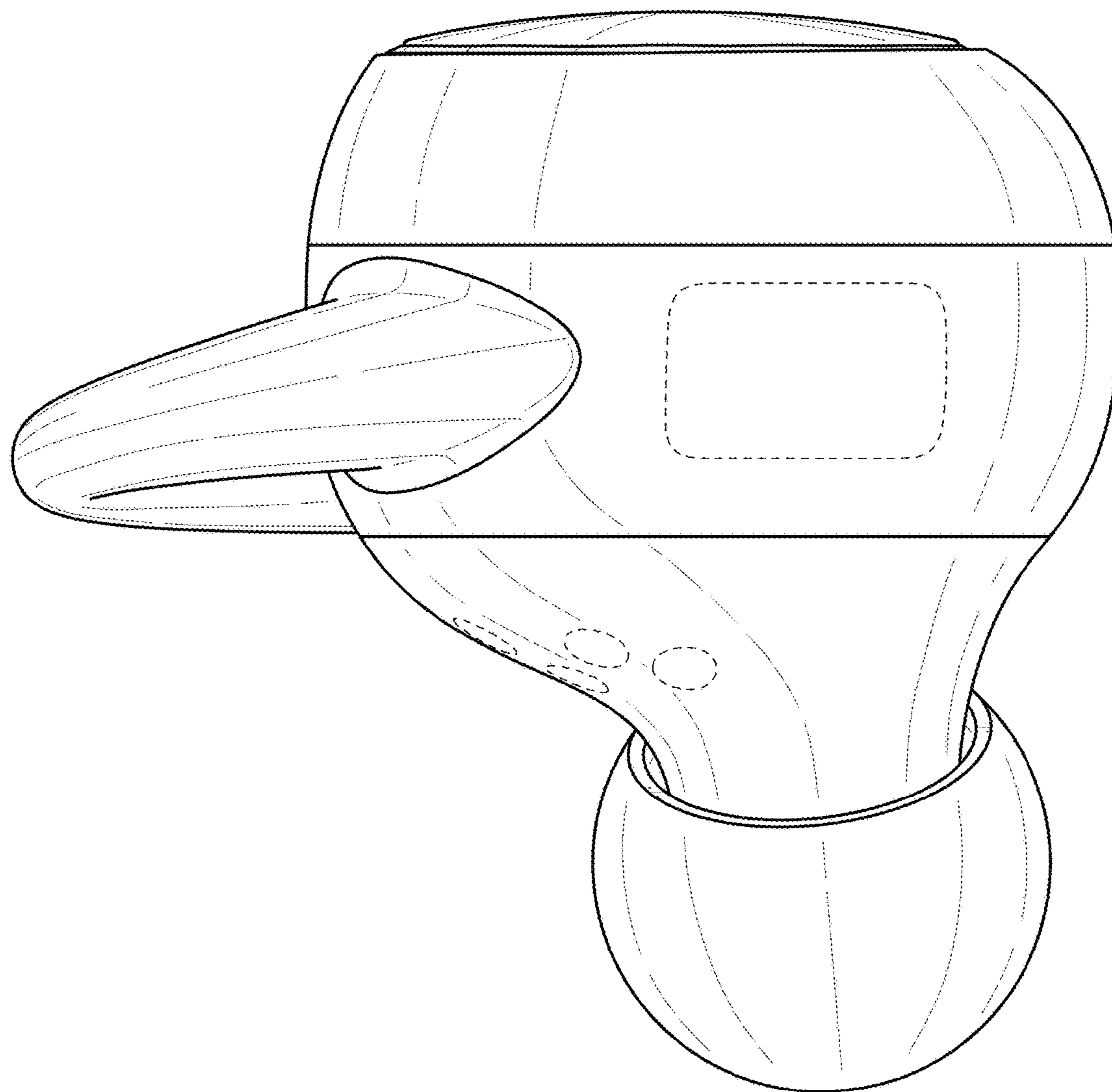


FIG. 4

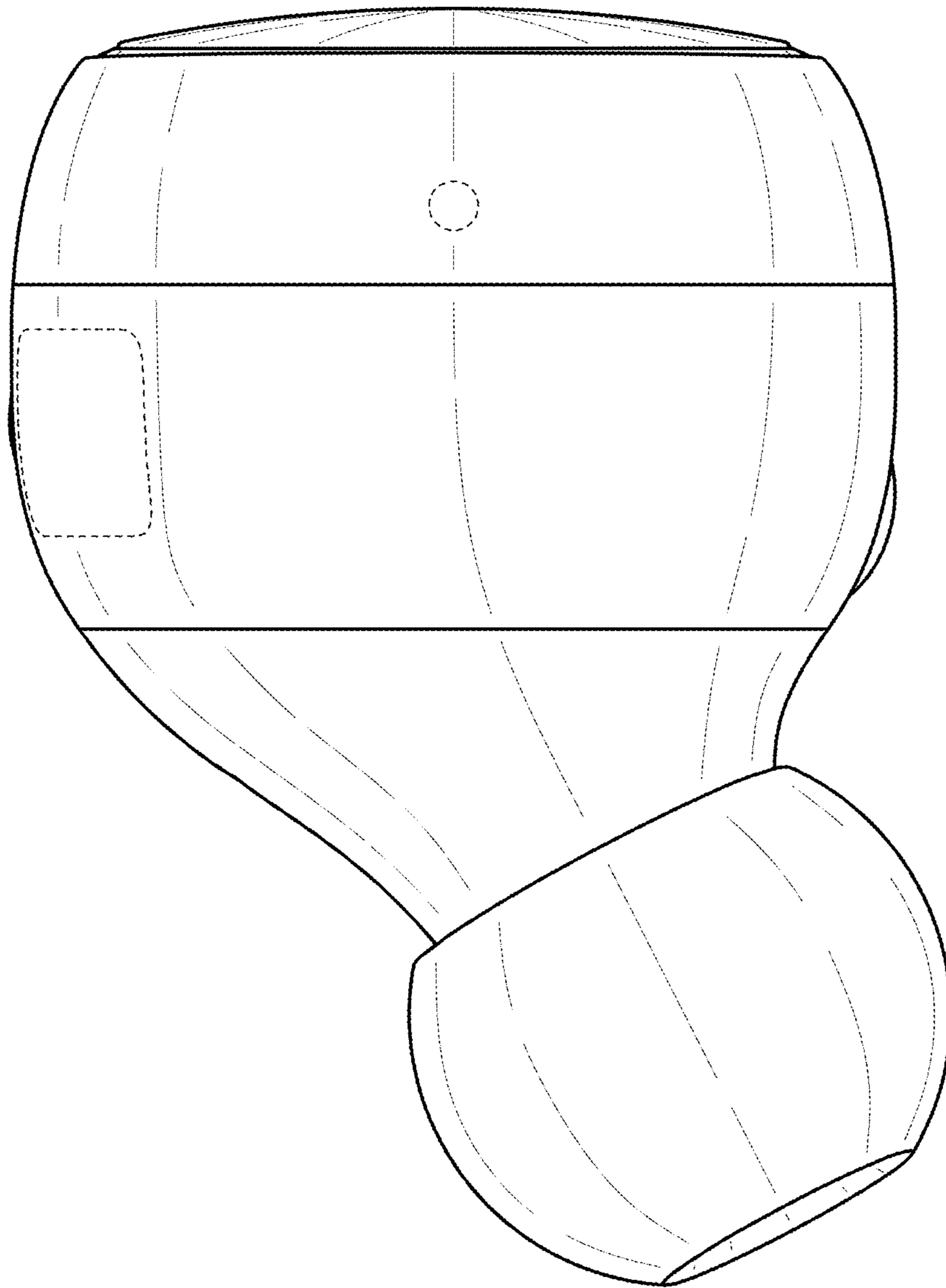


FIG. 5

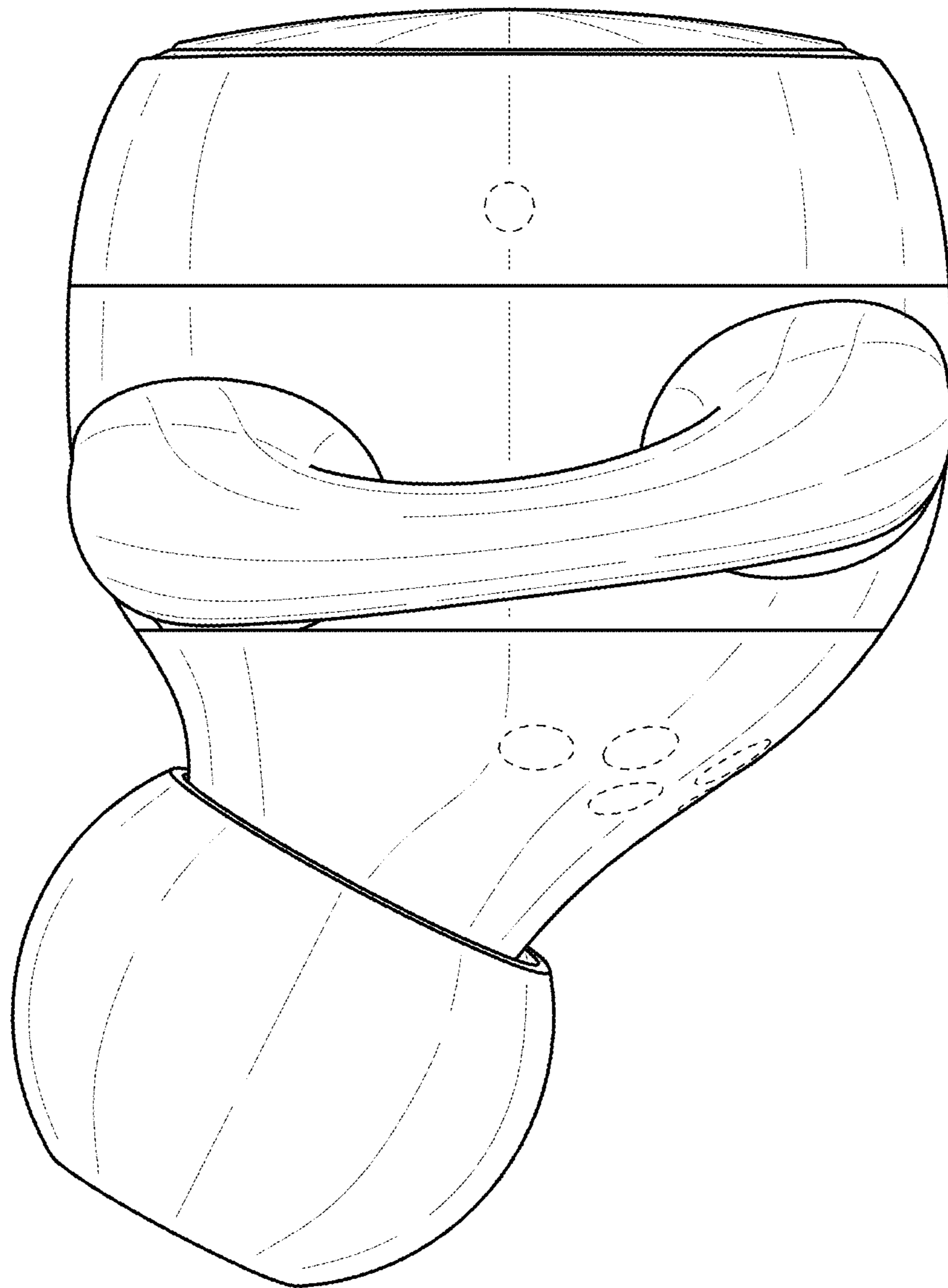


FIG. 6

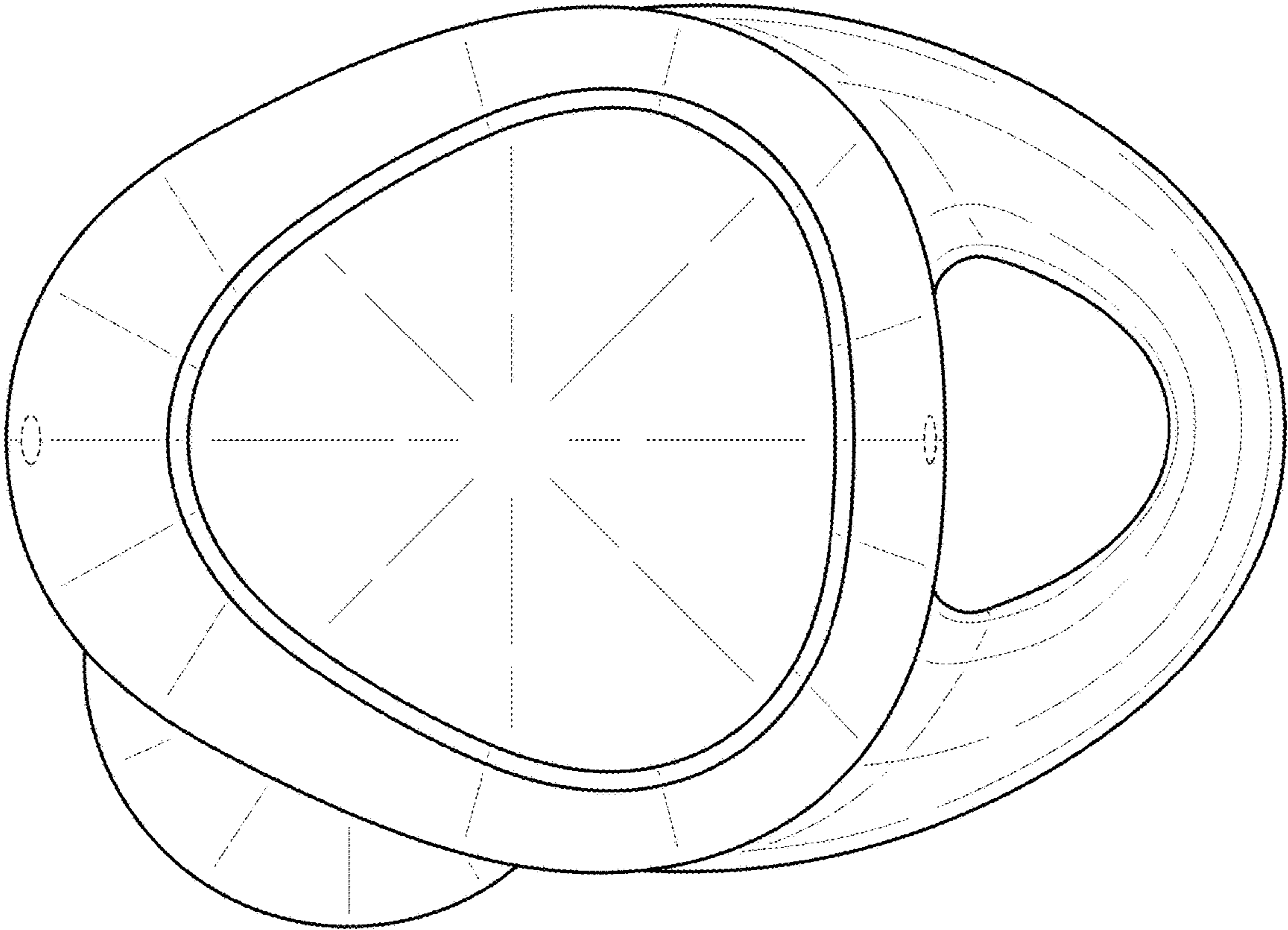


FIG. 7

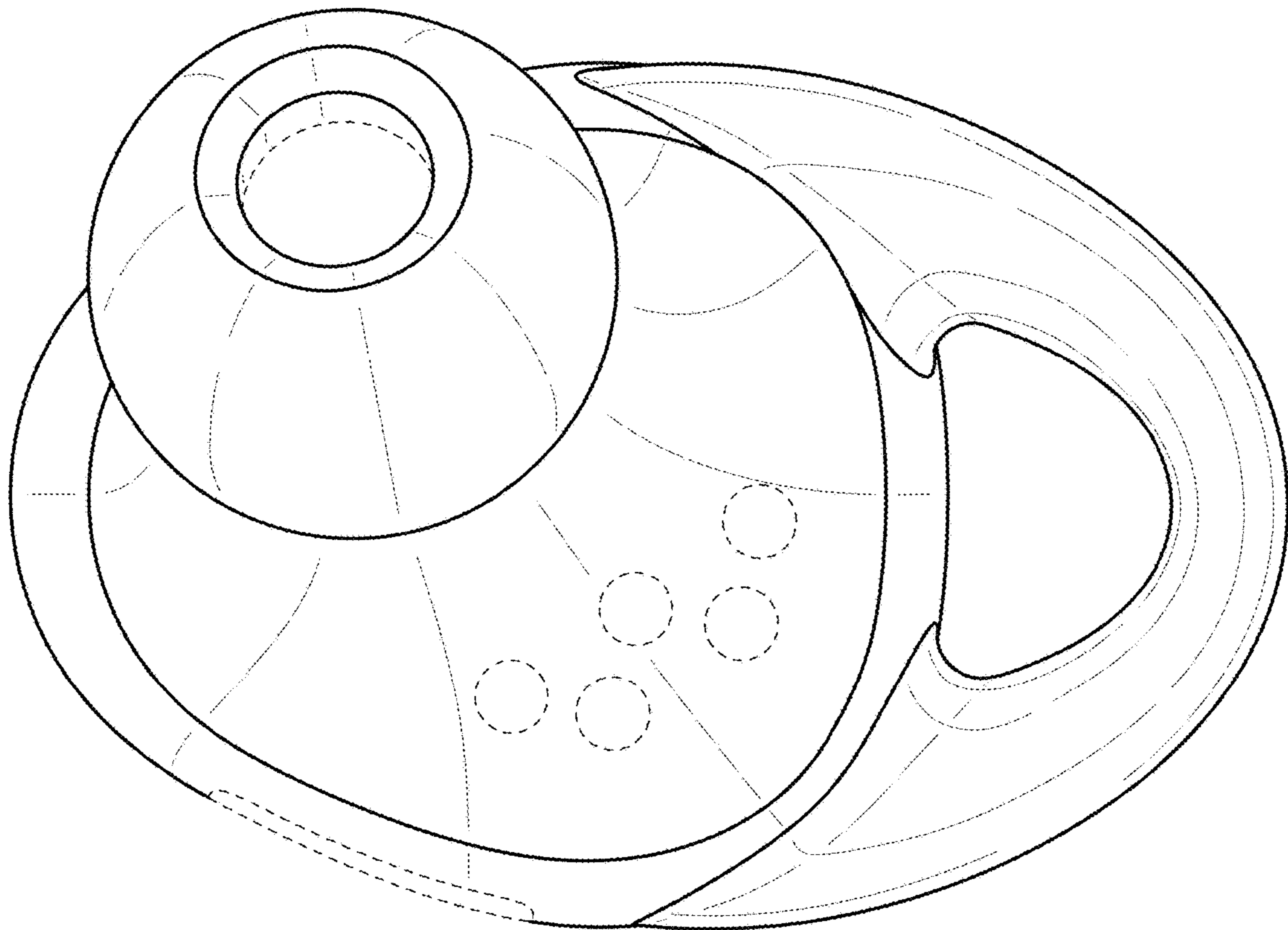


FIG. 8

