



US00D788076S

(12) **United States Design Patent** (10) **Patent No.:** **US D788,076 S**
Swendseid et al. (45) **Date of Patent:** **** May 30, 2017**

(54) **PORTABLE DIGITAL MIXER**

(71) Applicants: **Kent Benke Swendseid**, Woodinville, WA (US); **Benjamin Seth Olswang**, Seattle, WA (US); **John Phillip Boudreau**, Seattle, WA (US)

(72) Inventors: **Kent Benke Swendseid**, Woodinville, WA (US); **Benjamin Seth Olswang**, Seattle, WA (US); **John Phillip Boudreau**, Seattle, WA (US)

(73) Assignee: **LOUD Technologies Inc**, Woodinville, WA (US)

(**) Term: **15 Years**

(21) Appl. No.: **29/547,764**

(22) Filed: **Dec. 7, 2015**

(51) **LOC (10) Cl.** **14-03**

(52) **U.S. Cl.**
USPC **D14/217**

(58) **Field of Classification Search**
USPC D14/217, 257, 258, 434, 496, 162, 167, D14/175, 188, 196-198, 498-511
CPC ... G06F 1/1626; G06F 1/1688; G10L 19/008; G10L 19/167; H03G 3/00; H03G 3/04; H03G 3/3005; H03G 3/3089; H03G 5/00;
(Continued)

(56) **References Cited**

U.S. PATENT DOCUMENTS

D611,036 S * 3/2010 Cooper D13/123
D613,270 S * 4/2010 Cooper D13/123
(Continued)

Primary Examiner — Brandon M Rosati

Assistant Examiner — Khawaja Anwar

(74) *Attorney, Agent, or Firm* — Christensen O'Connor Johnson Kindness PLLC

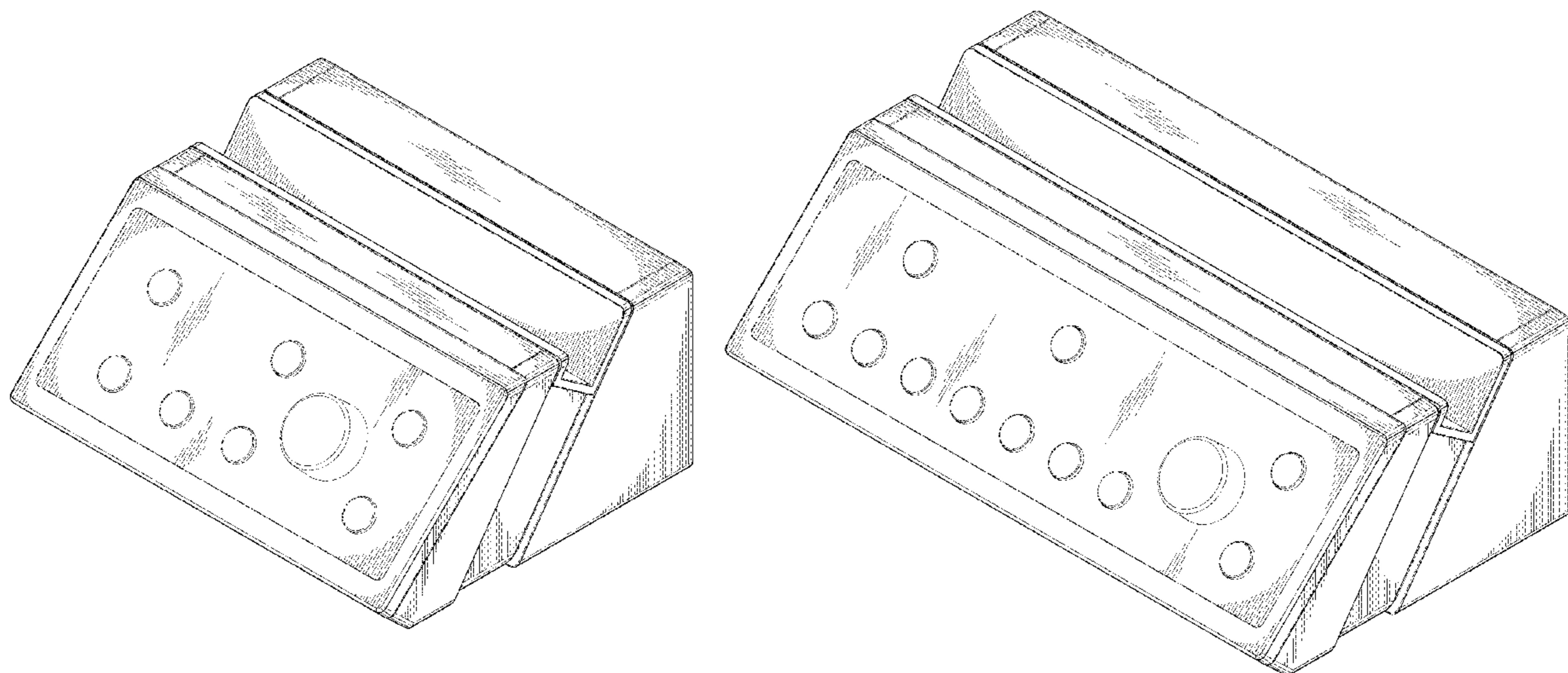
(57) **CLAIM**

The ornamental design for a portable digital mixer, as shown and described.

DESCRIPTION

FIG. 1 is a top, front perspective view of the design of a portable digital mixer of the present application; FIG. 2 is a bottom, rear perspective view of the design in FIG. 1; FIG. 3 is a front elevational view of the design in FIG. 1; FIG. 4 is a rear elevational view of the design in FIG. 1; FIG. 5 is a top view of the design in FIG. 1; FIG. 6 is a bottom view of the design in FIG. 1; FIG. 7 is a side elevational view of the design in FIG. 1; FIG. 8 is a side elevational view of the design in FIG. 1 taken from the opposite side of the design relative to FIG. 7; FIG. 9 corresponds to FIG. 1 and shows the present design paired with a smart phone; FIG. 10 is a top, front perspective view of a second embodiment of the portable digital mixer of the present application; FIG. 11 is a bottom perspective view the design in FIG. 10; FIG. 12 is front elevational view of the design in FIG. 10; FIG. 13 is a rear elevational view of the design in FIG. 10; FIG. 14 is a top view of the design in FIG. 10; FIG. 15 is a bottom view of the design in FIG. 10; FIG. 16 is a side elevational view of the design in FIG. 10; FIG. 17 is a side elevational view of the design in FIG. 10 taken from the opposite side of the design relative to the design relative to FIG. 16; and, FIG. 18 corresponds to FIG. 10 and shows the present design paired with a smart phone. The elements depicted in broken line and in phantom line in the figures are included for environmental purposes only, and form no part of the claimed design.

1 Claim, 14 Drawing Sheets



(58) **Field of Classification Search**

CPC H03G 5/005; H03G 5/025; H03G 9/18;
G11B 19/02; G11B 20/10527; G11B
27/00; G11B 27/34; G11B 27/031; G11B
27/034; G11B 27/038; G11B 27/105;
G11B 33/025; H04R 3/00; H04R 3/005;
H04R 5/04; H04R 2205/021; H04R
2499/11

See application file for complete search history.

(56) **References Cited**

U.S. PATENT DOCUMENTS

D662,083	S	*	6/2012	Akana	D14/217
D676,832	S	*	2/2013	Akana	D14/217
D677,247	S	*	3/2013	Iijima	D14/217
D750,598	S	*	3/2016	Alexander	D14/217
D757,730	S	*	5/2016	Fletcher	D14/434
D769,878	S	*	10/2016	Fletcher	D14/434

* cited by examiner

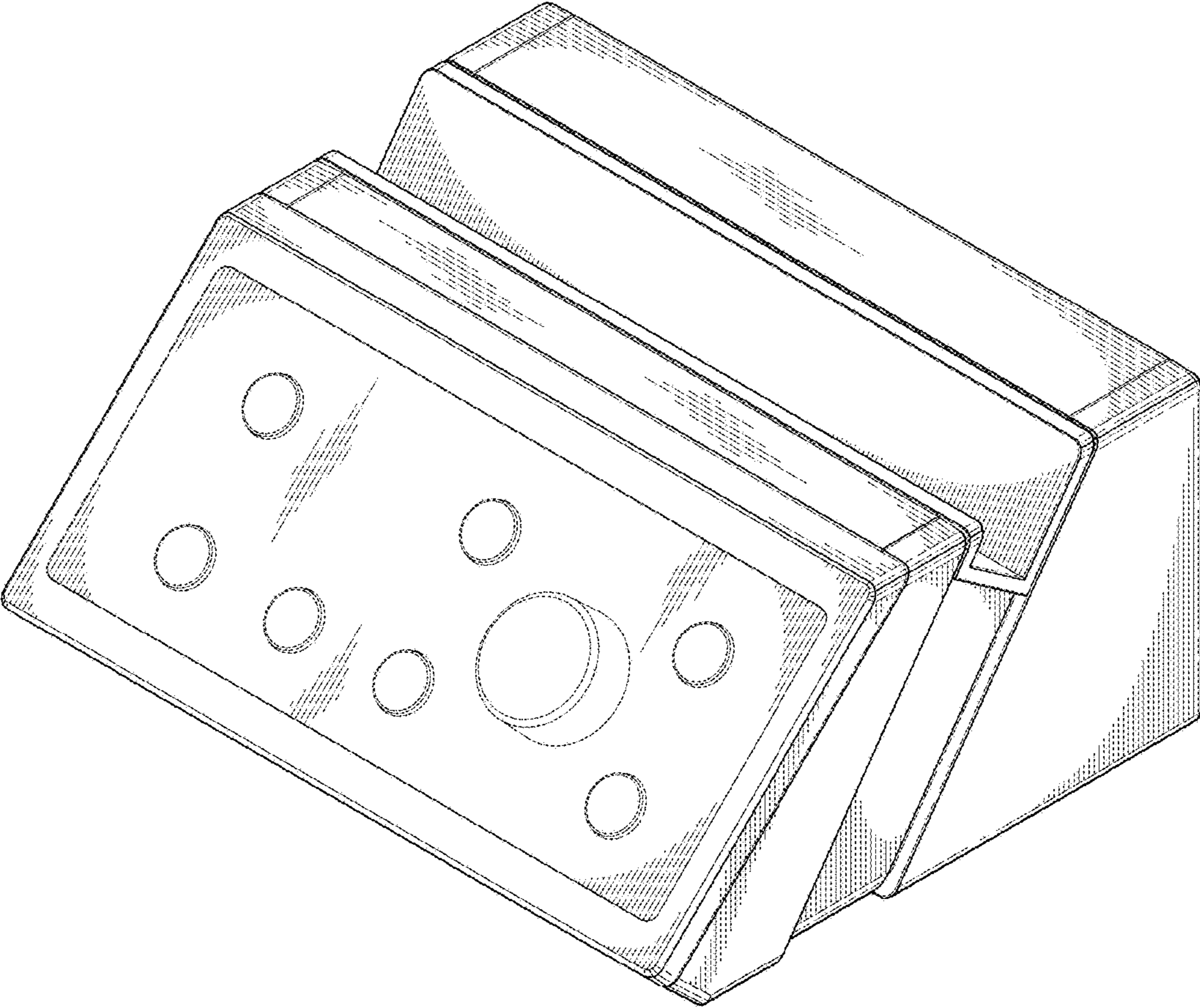


Fig. 1.

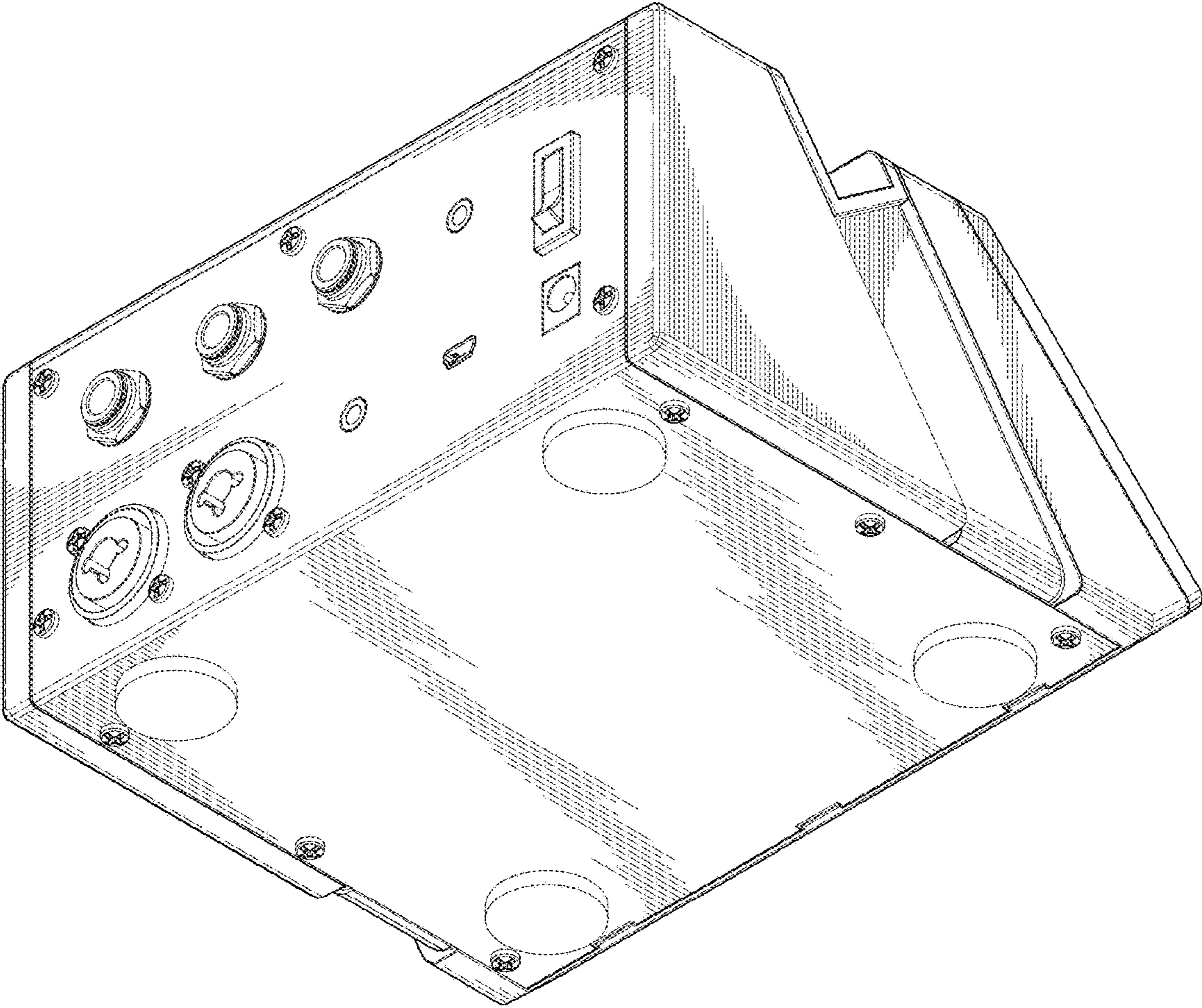


Fig. 2.

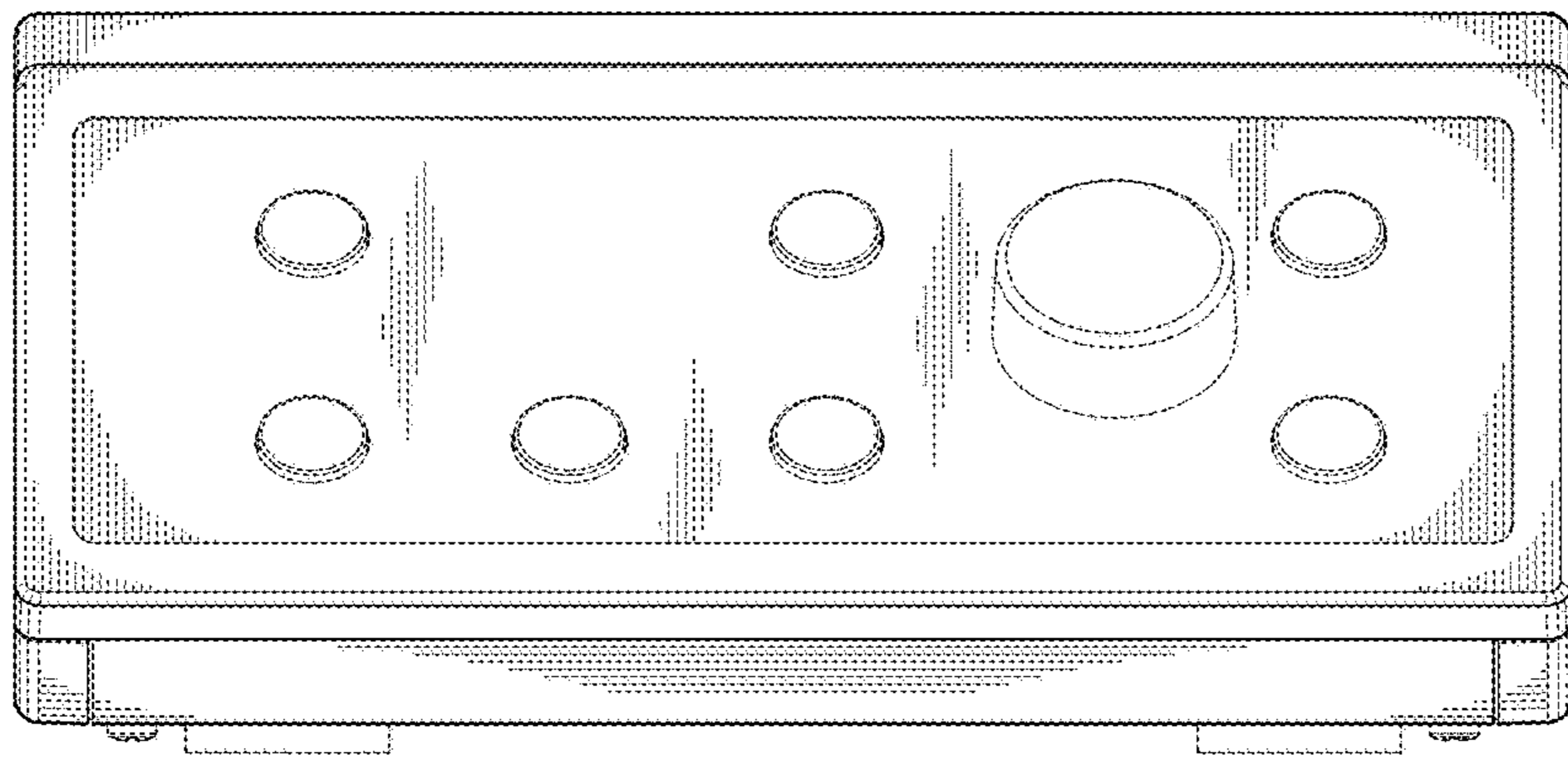


Fig. 3.

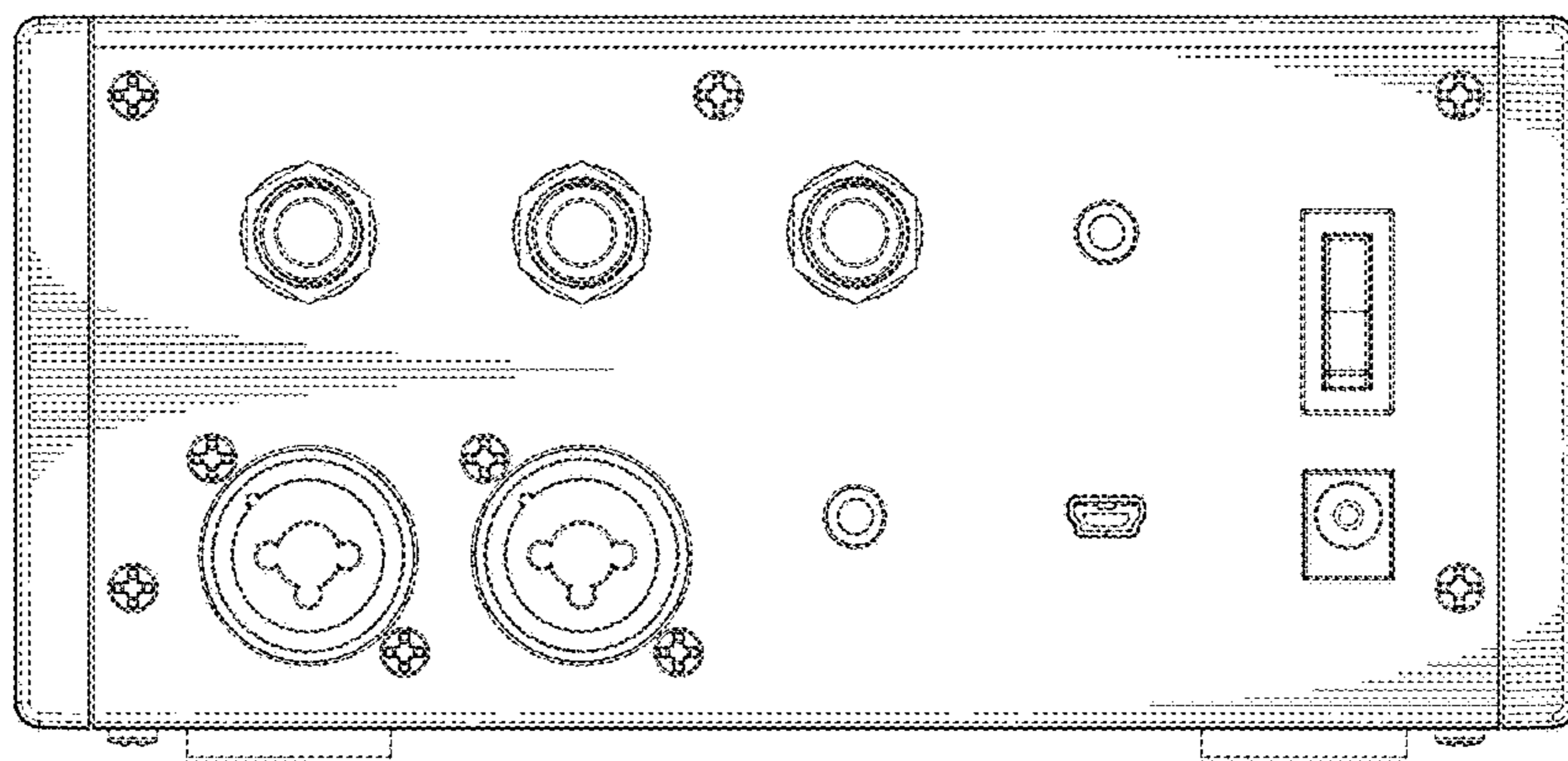


Fig. 4.

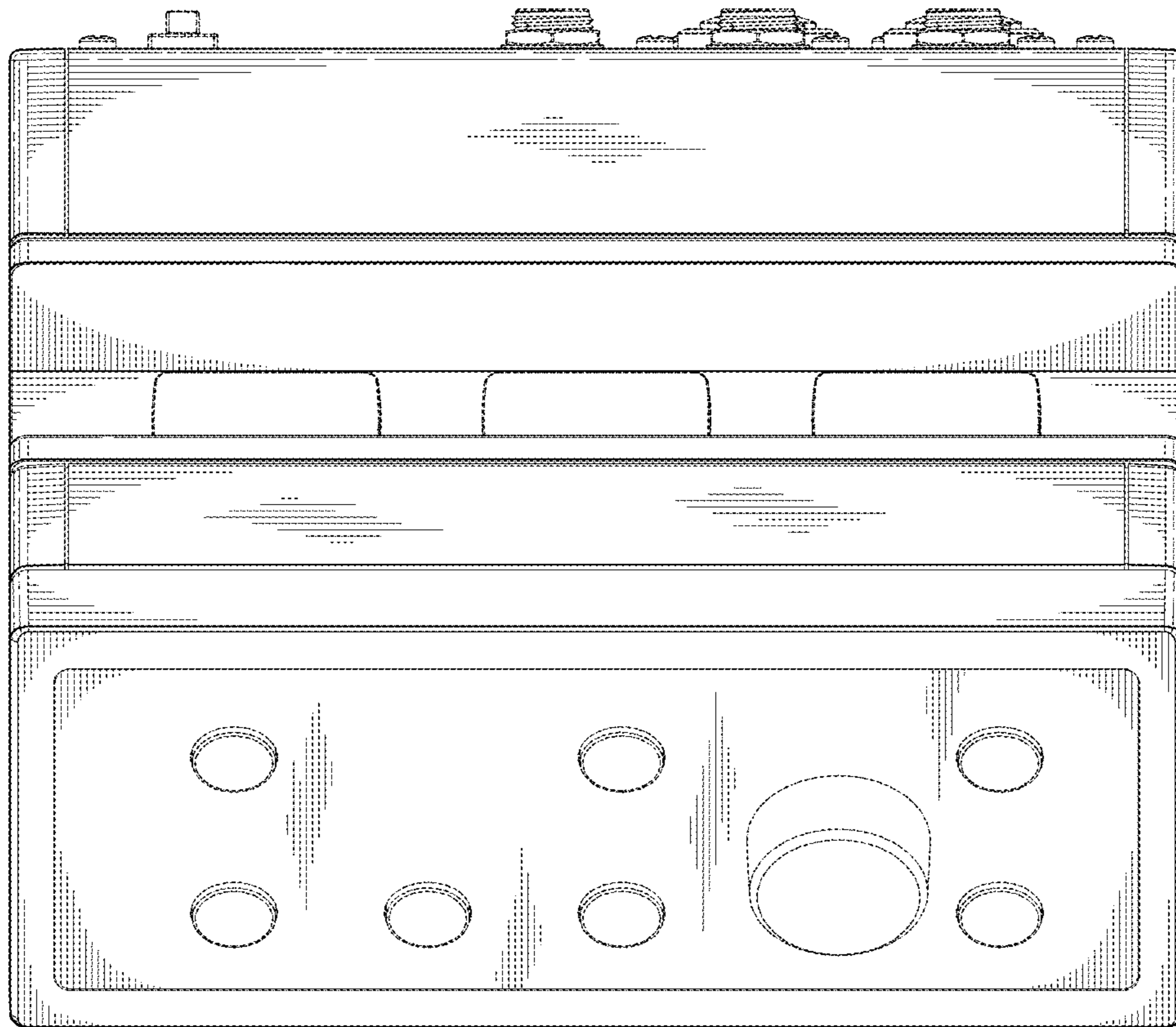


Fig. 5.

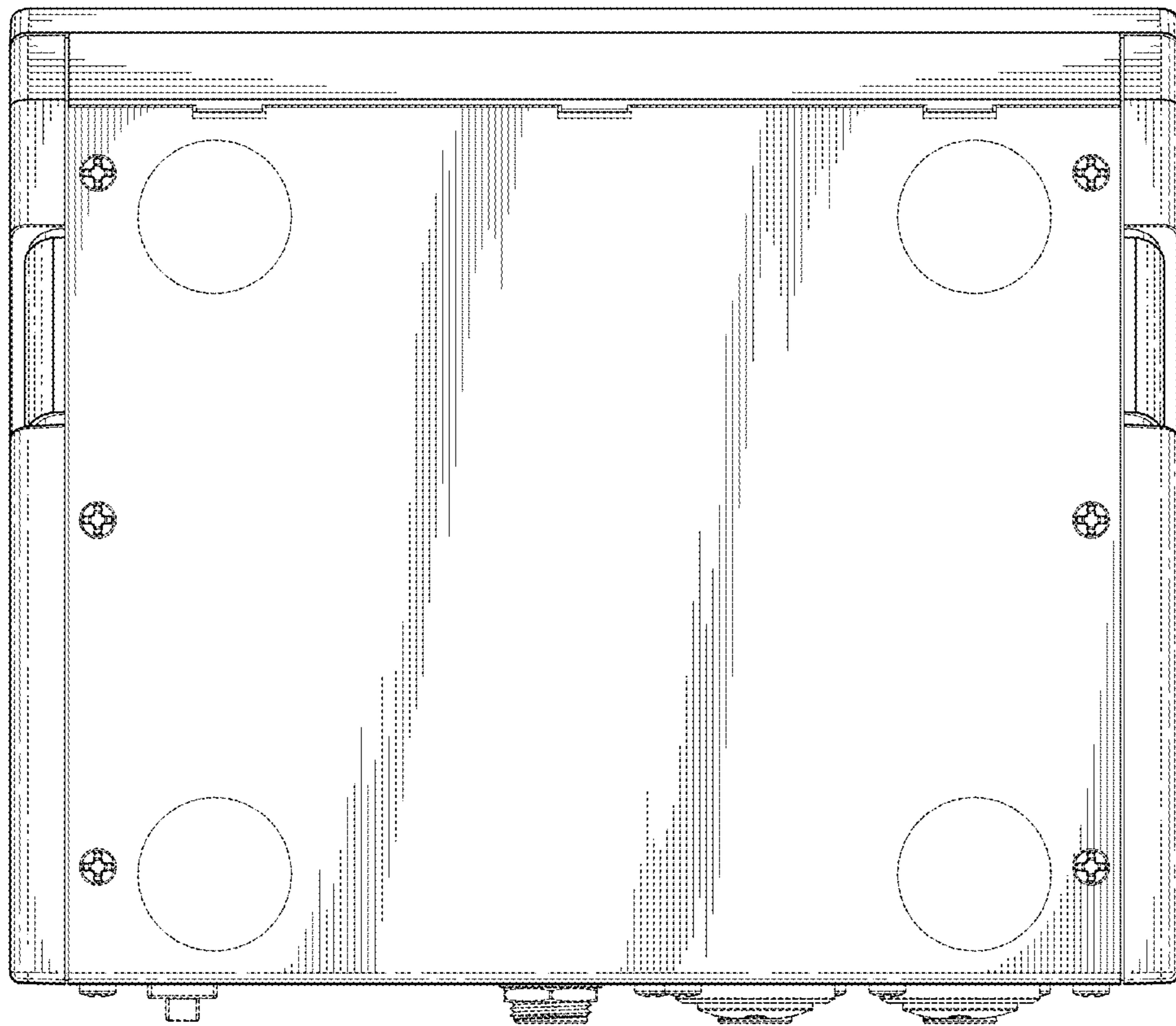


Fig. 6.

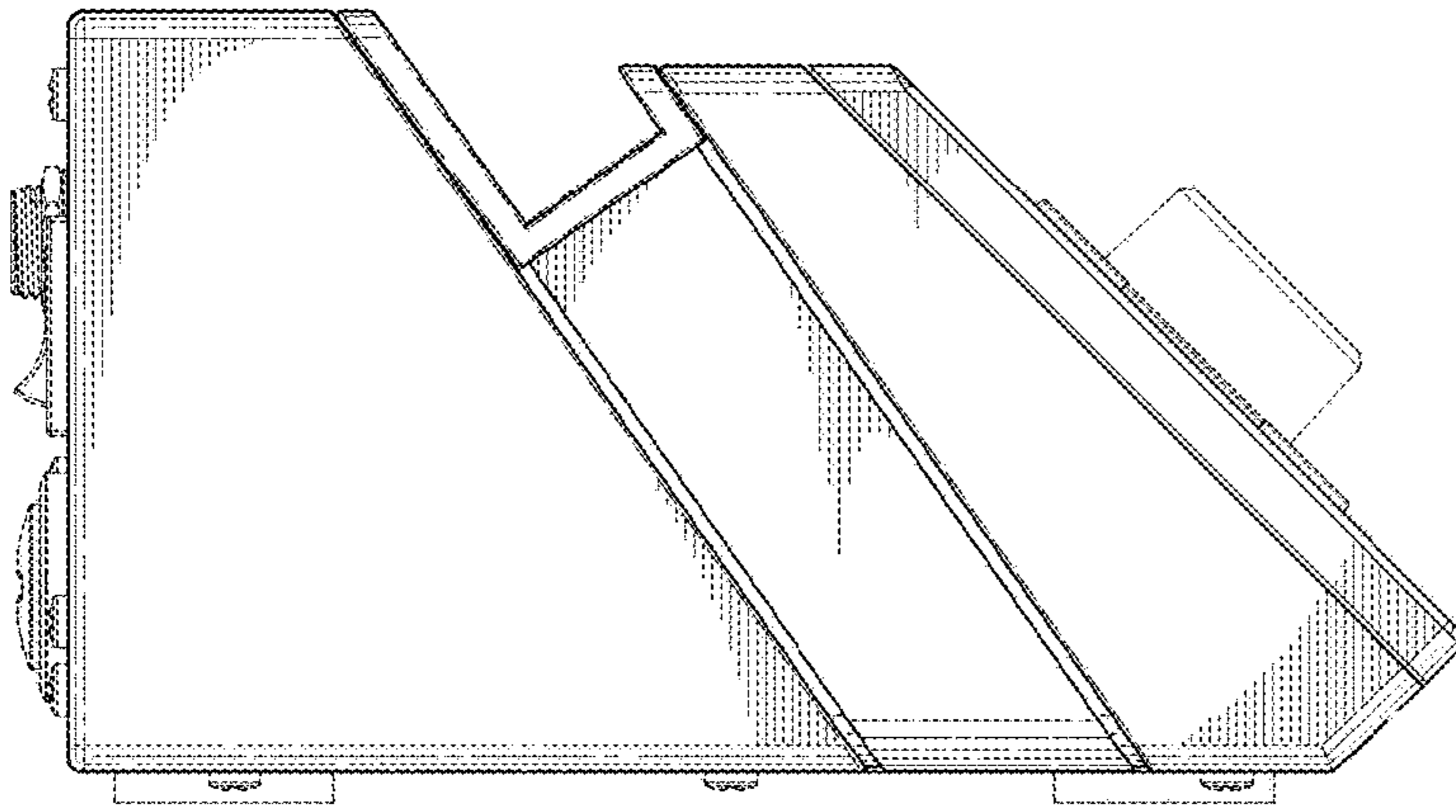


Fig. 7.

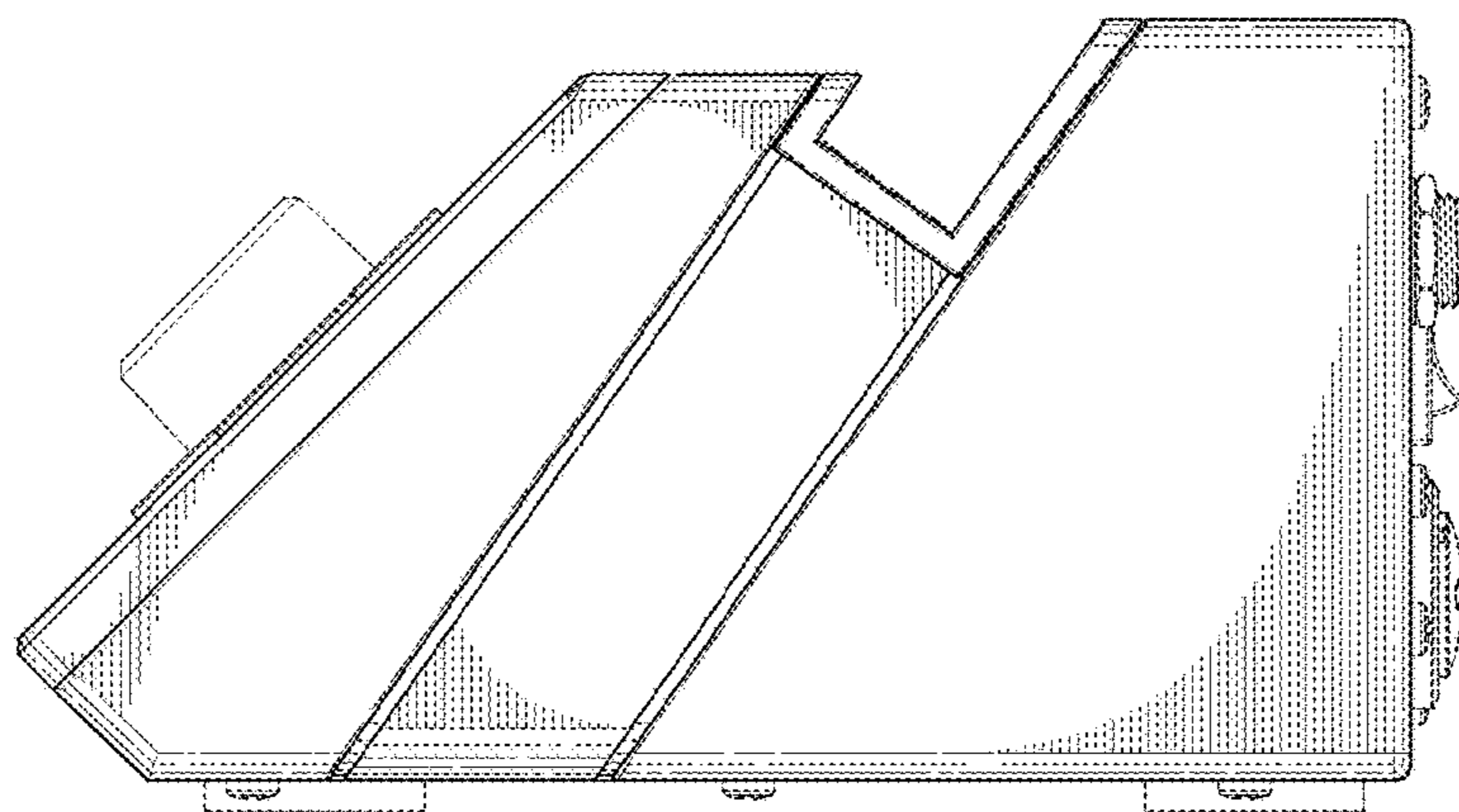


Fig. 8.

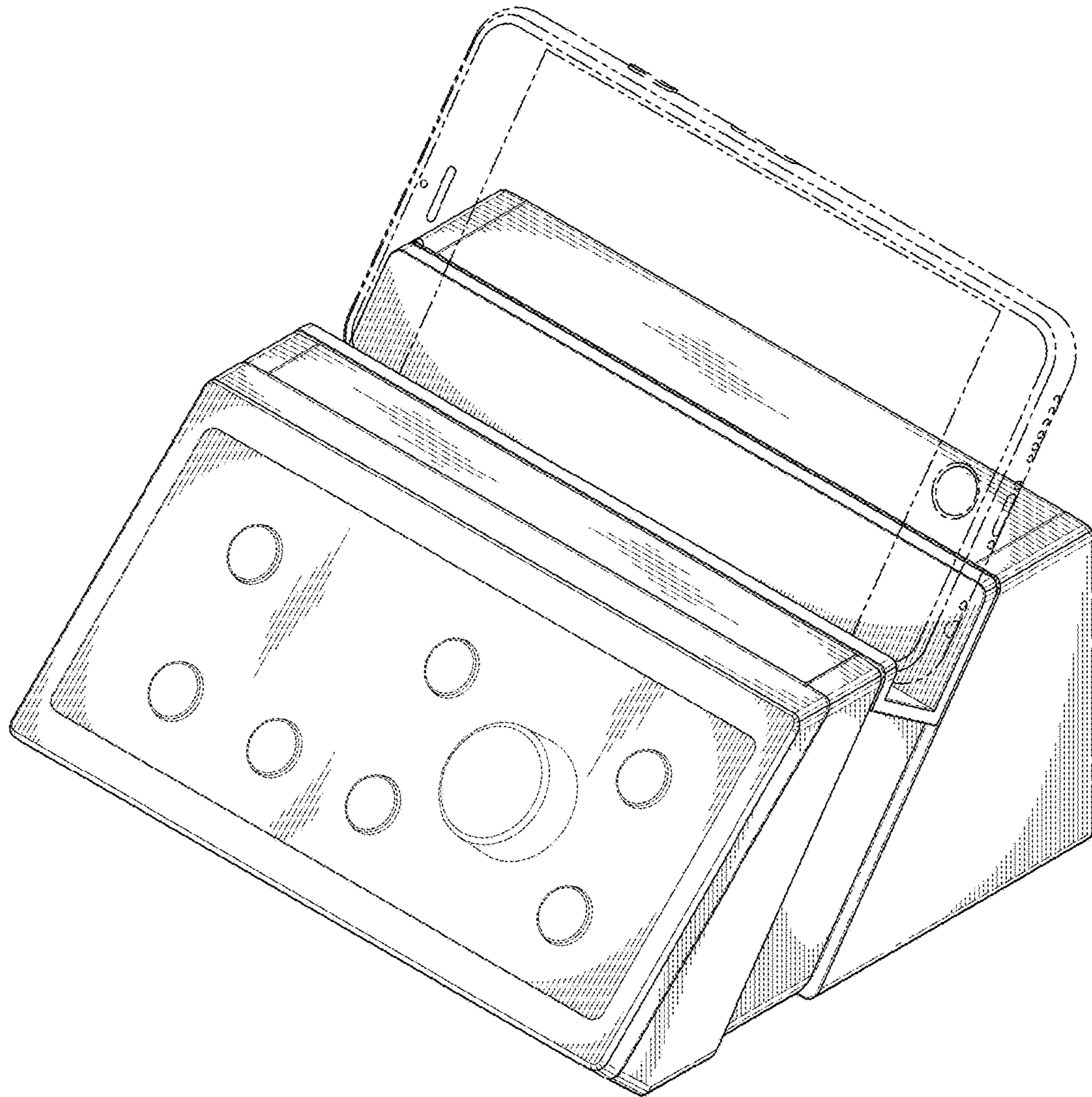


Fig. 9.

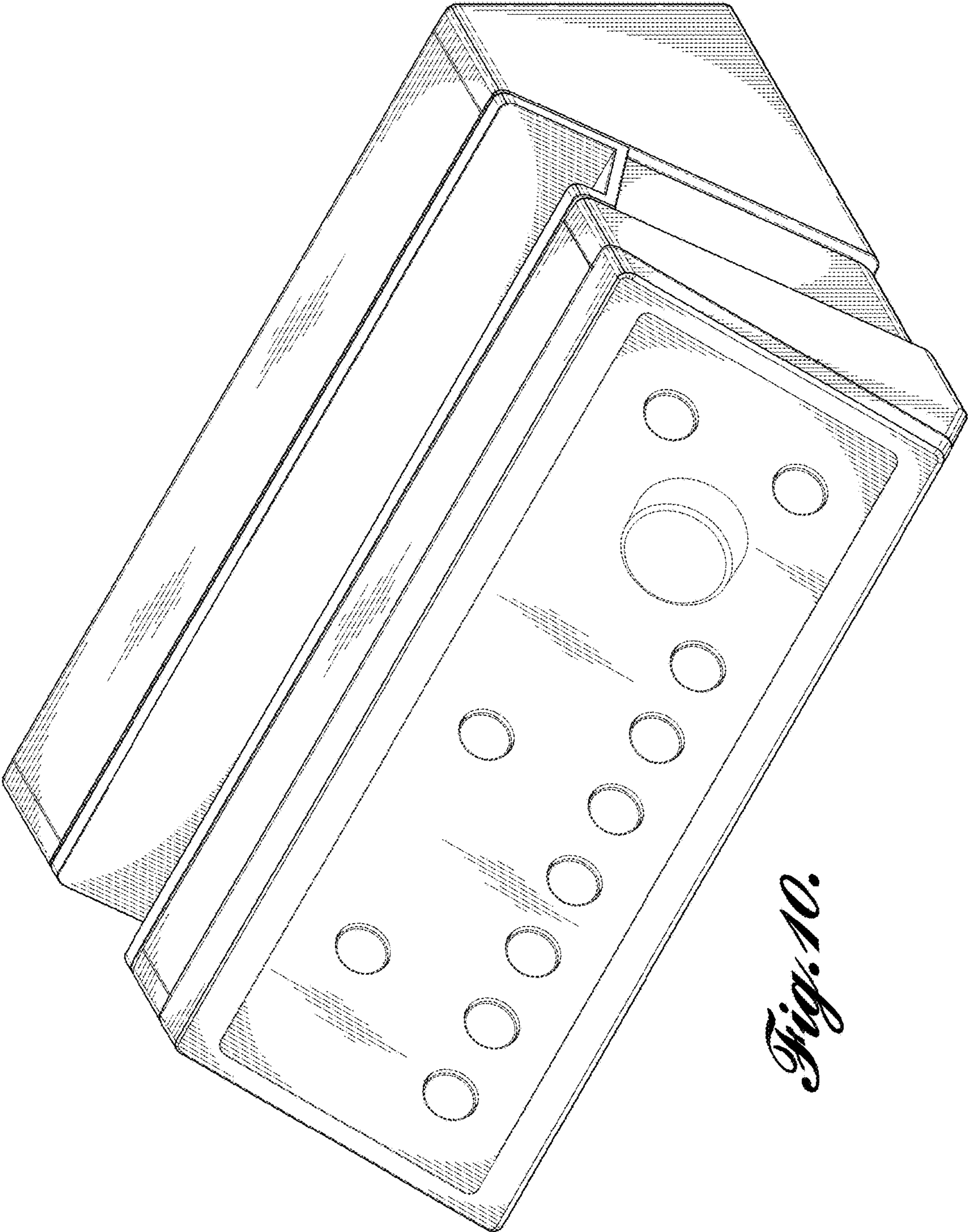


Fig. 10.

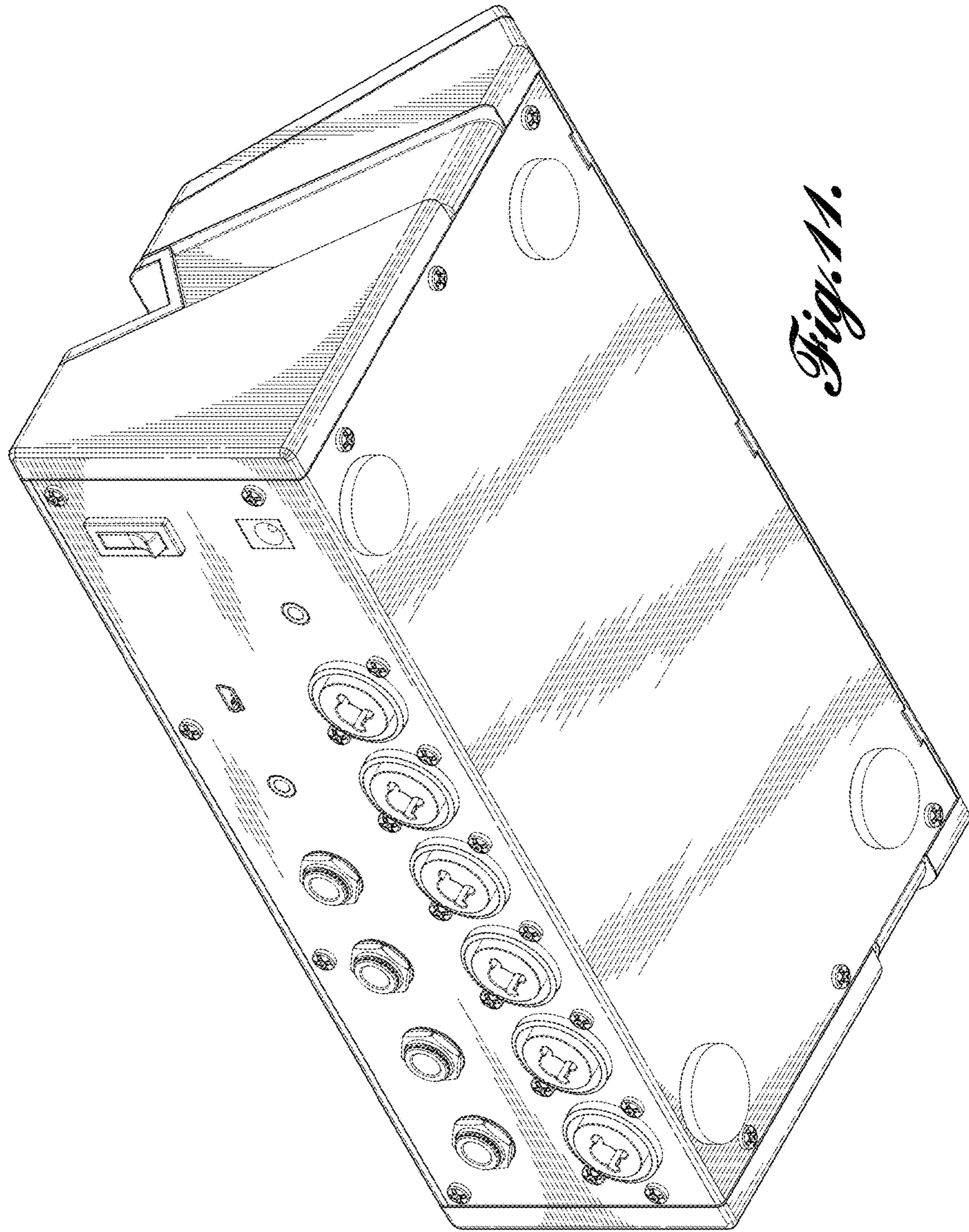


Fig. 11.

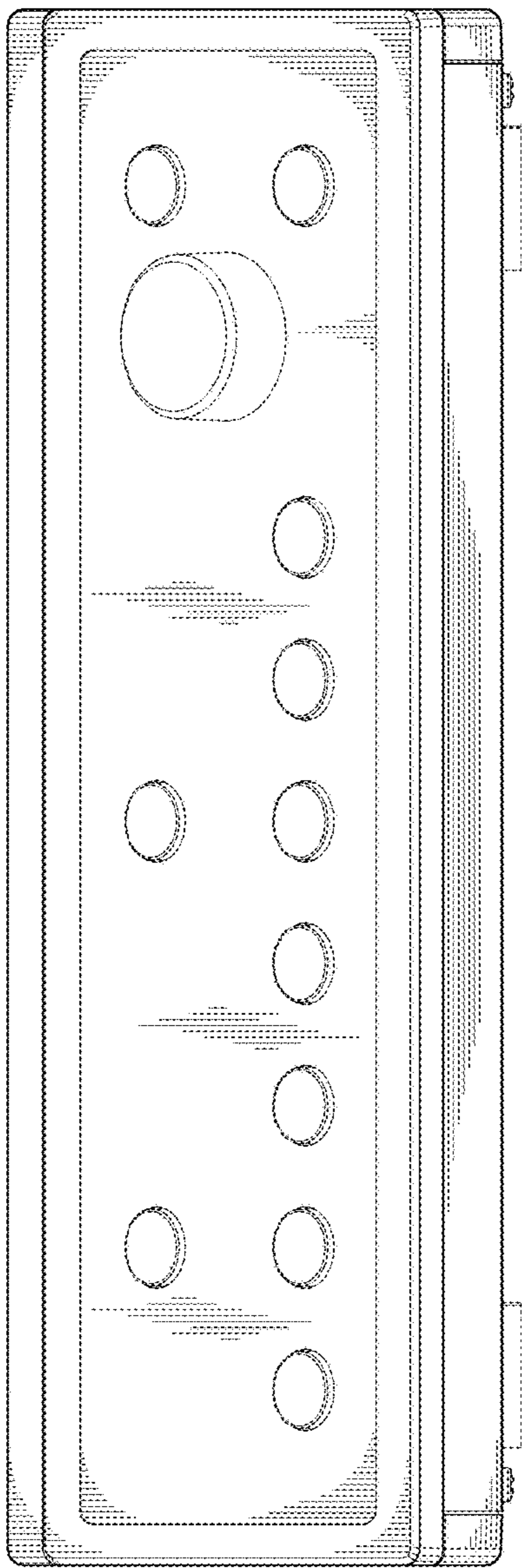


Fig. 12.

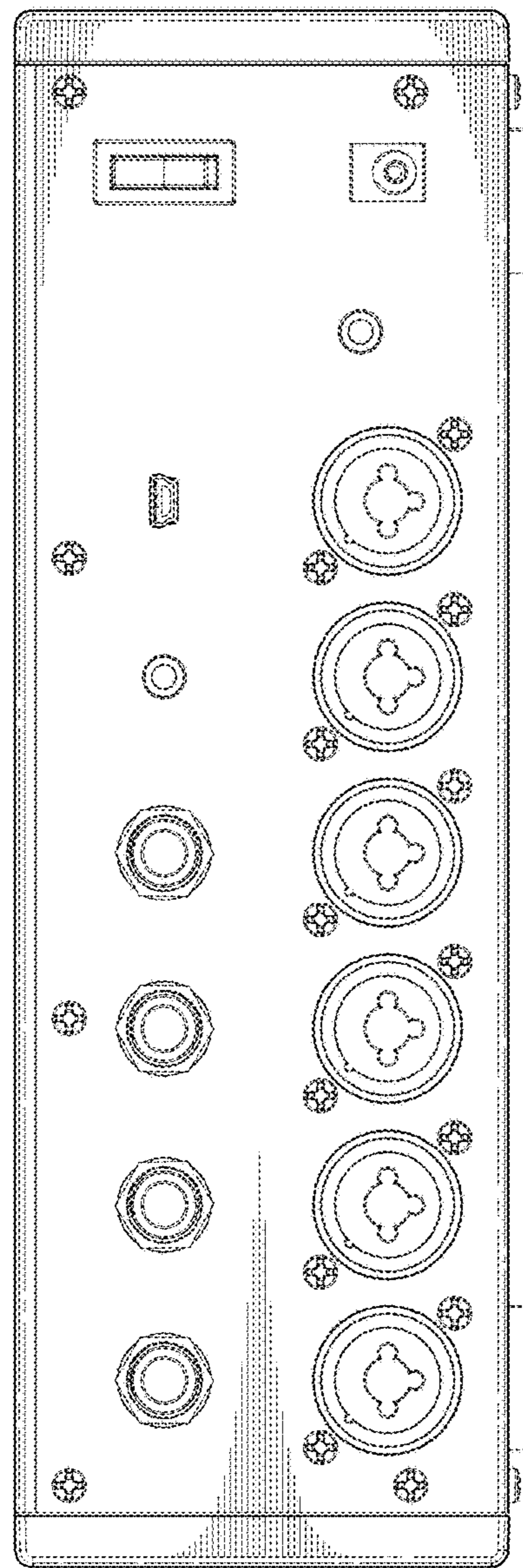


Fig. 13.

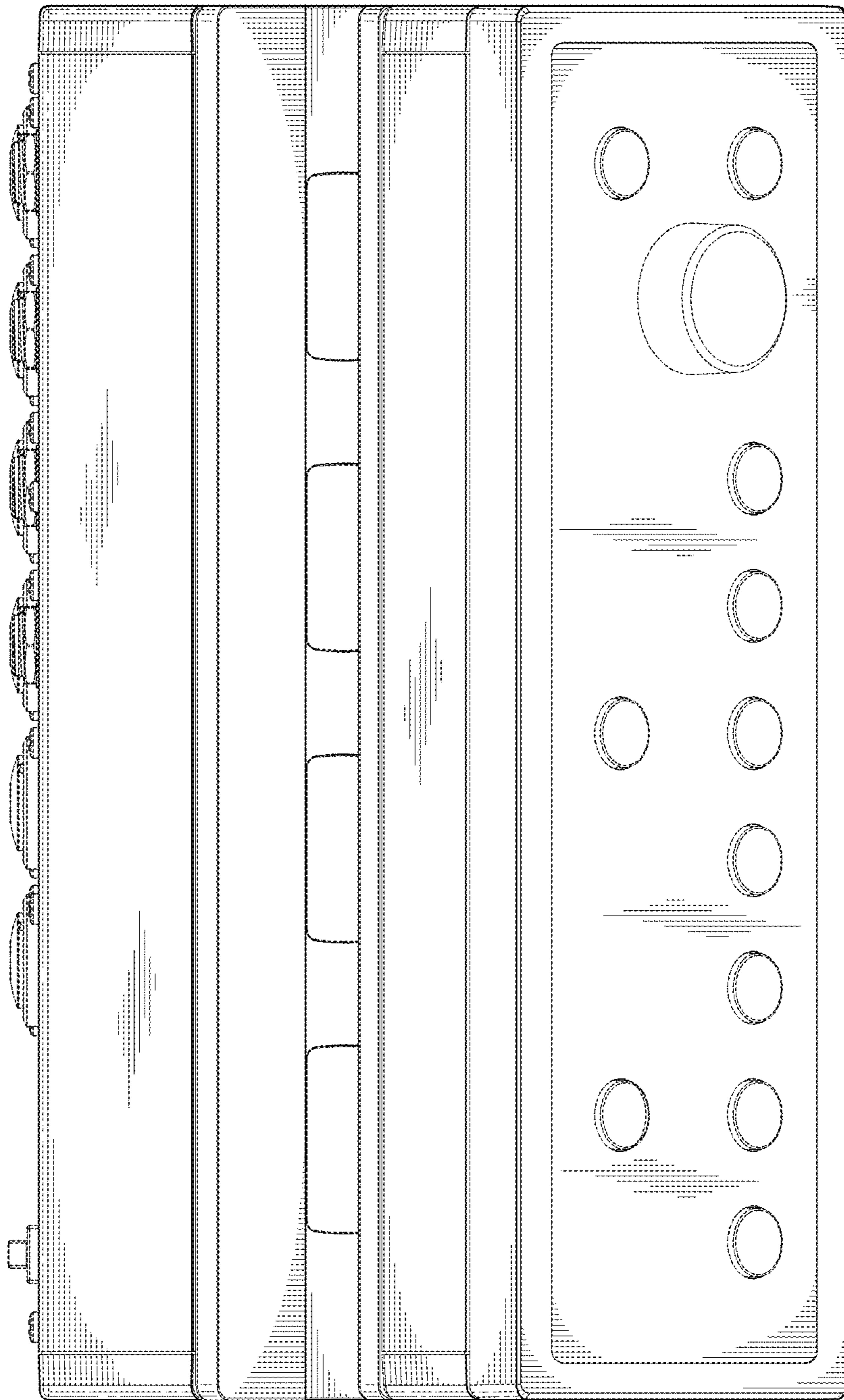


Fig. 14.

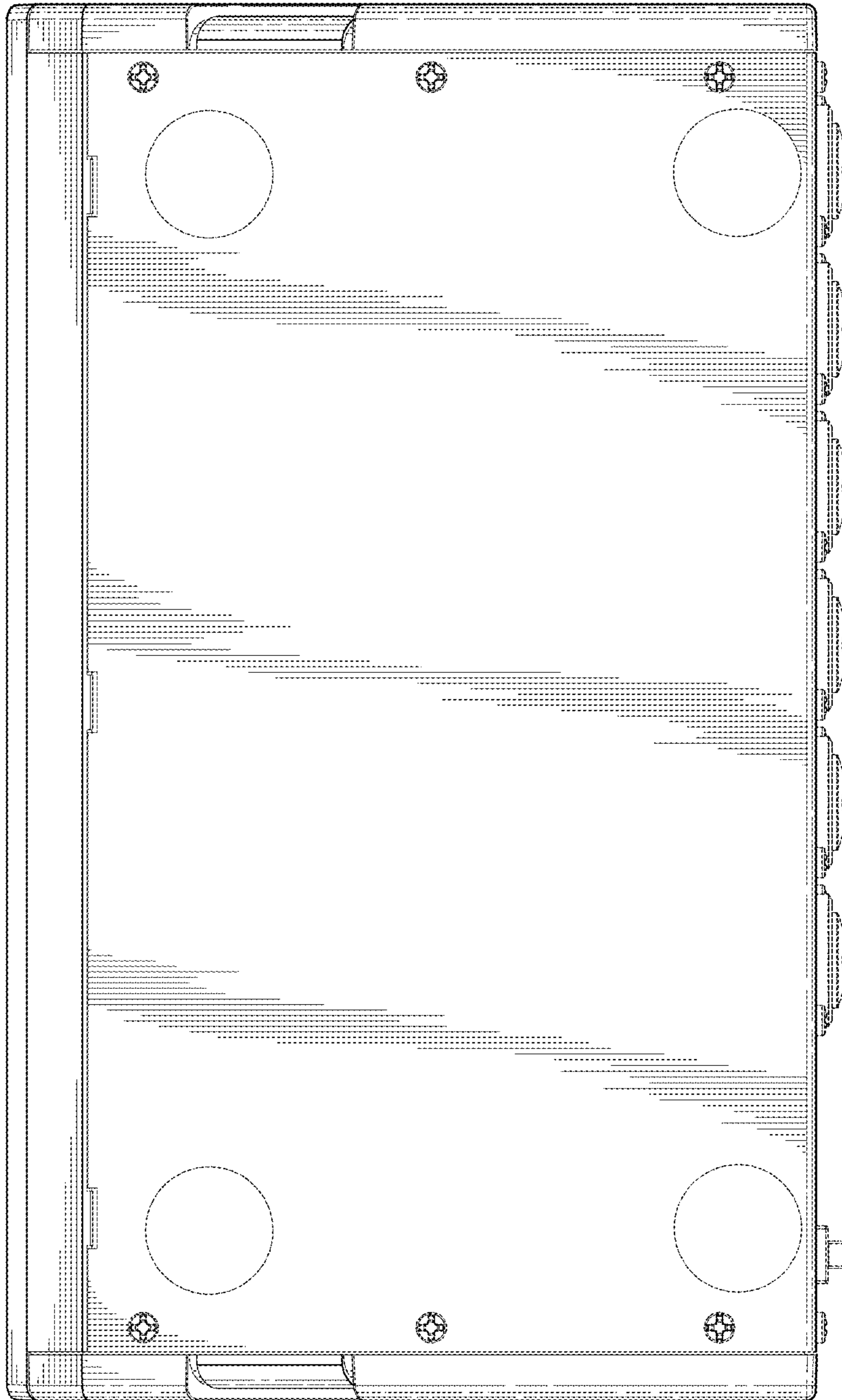


Fig. 15.

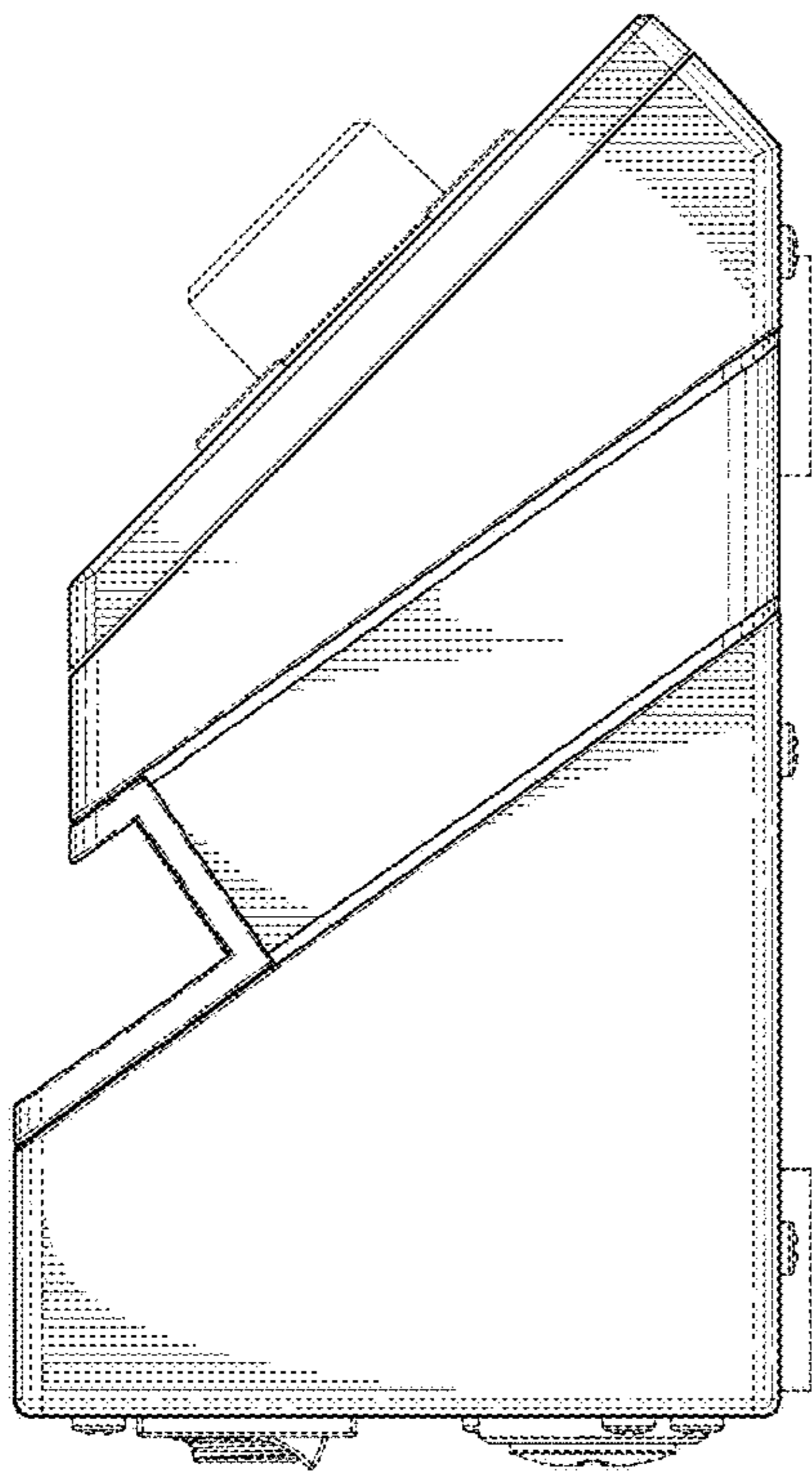


Fig. 16.

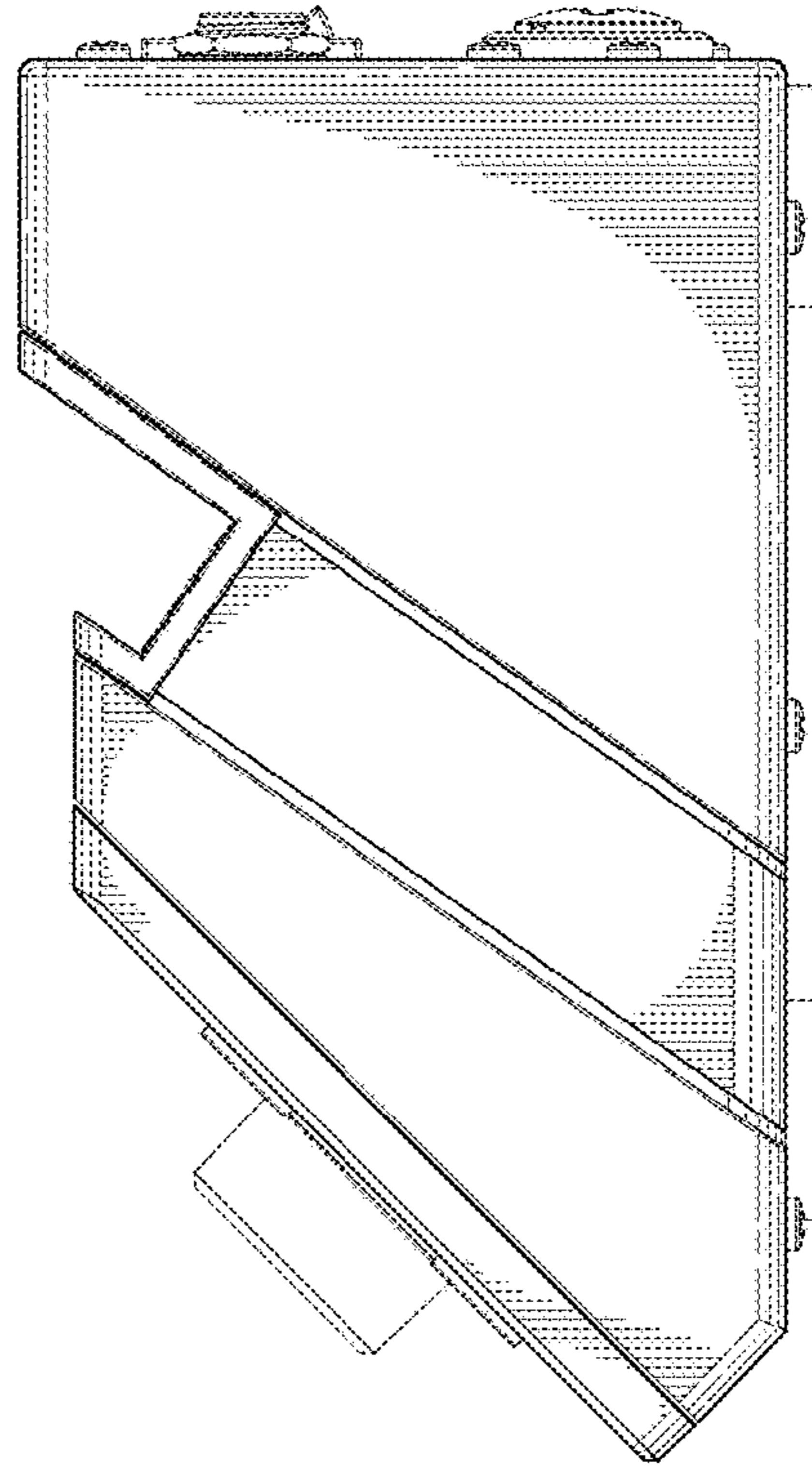


Fig. 17.

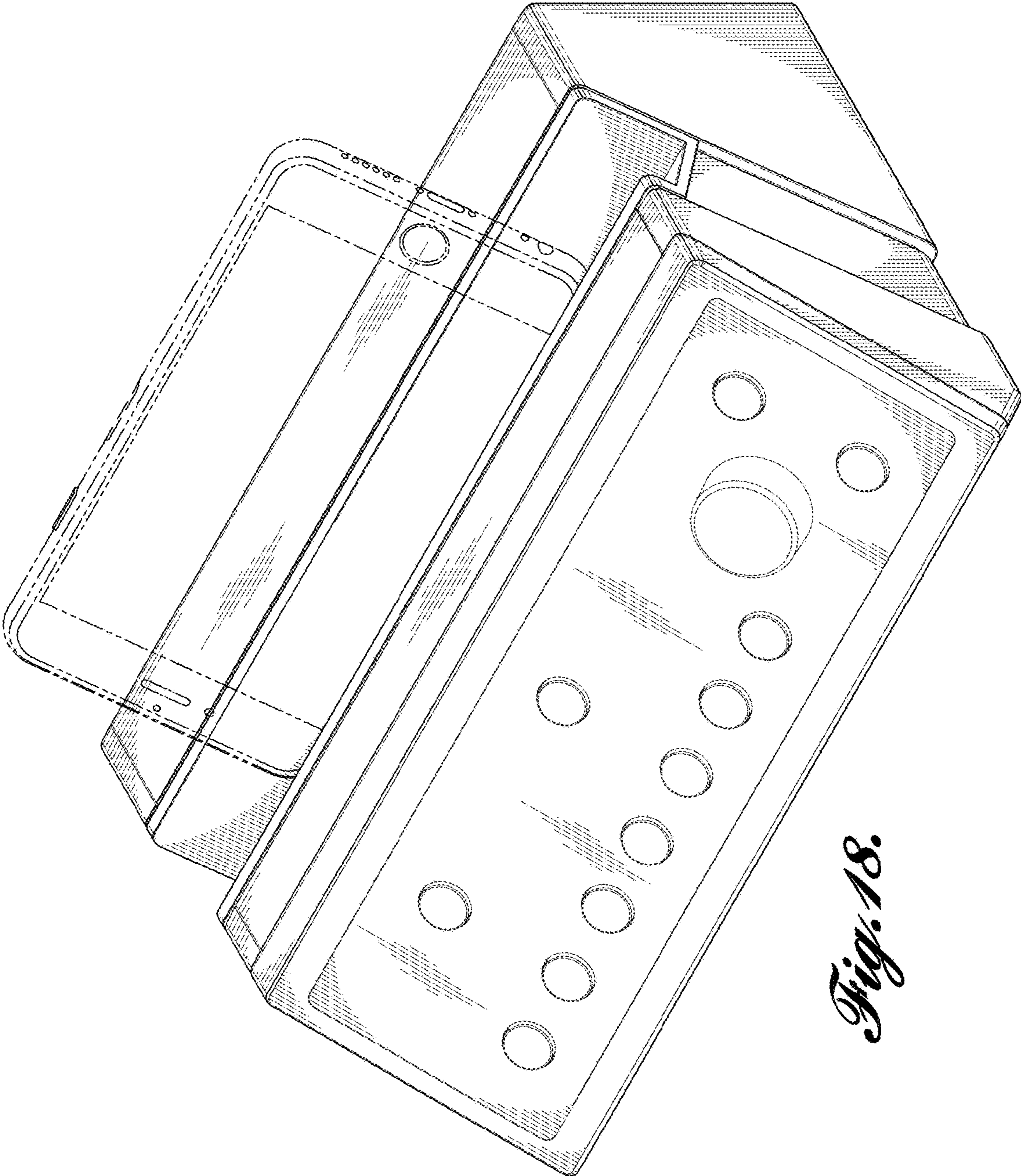


Fig. 18.