



US00D788075S

(12) **United States Design Patent**
Bailey

(10) **Patent No.:** **US D788,075 S**

(45) **Date of Patent:** **** May 30, 2017**

(54) **RECHARGEABLE MONO BLUETOOTH SPEAKER**

(71) Applicant: **Mitchell Bailey**, Rahway, NJ (US)

(72) Inventor: **Mitchell Bailey**, Rahway, NJ (US)

(73) Assignee: **SDI TECHNOLOGIES, INC.**,
Rahway, NJ (US)

(**) Term: **15 Years**

(21) Appl. No.: **29/552,079**

(22) Filed: **Jan. 20, 2016**

(51) **LOC (10) Cl.** **14-01**

(52) **U.S. Cl.**

USPC **D14/216**; D14/204; D14/210; D14/215

(58) **Field of Classification Search**

USPC D14/168, 188, 194, 195, 196, 204, 210,
D14/211, 212, 213, 214, 215, 216

CPC B60R 11/0217; G06F 1/1688; G10K 9/22;
G10K 11/004; H03F 1/327; H04M 1/03;

H04M 1/035; H04N 5/642; H04N
21/4852; H04S 3/00; H04S 7/30; H04R

1/02; H04R 1/06; H04R 1/021; H04R
1/025; H04R 1/026; H04R 1/028; H04R

1/105; H04R 1/323; H04R 1/403; H04R
1/2803; H04R 1/2834; H04R 5/02; H04R

7/20; H04R 9/06; H04R 9/025; H04R
2201/021; H04R 2400/00; H04R 2400/07;

H04R 2499/11; H04R 2499/13; H04R
2499/15

See application file for complete search history.

(56) **References Cited**

U.S. PATENT DOCUMENTS

D315,562 S * 3/1991 Brown D14/213
D489,706 S * 5/2004 Chen D14/195
D537,072 S * 2/2007 Kim D14/215
D577,356 S * 9/2008 Moon D14/168
D598,898 S * 8/2009 Davidson D14/215

D599,821 S * 9/2009 Tang D14/168
D606,517 S * 12/2009 Nousiainen D14/216
D648,322 S * 11/2011 Peng D14/216
D668,635 S * 10/2012 Endo D14/216
D737,249 S * 8/2015 Zhao D14/216
D752,551 S * 3/2016 Wong D14/216
D758,989 S * 6/2016 Vogt, Jr. D14/204

(Continued)

OTHER PUBLICATIONS

Portable Bluetooth Speaker, announced Oct. 14, 2016 [online], [site visited Feb. 3, 2017]. Available from internet, URL: <<https://www.amazon.com/dp/B01M59M1O9?psc=1>>.*

(Continued)

Primary Examiner — Keli L Hill

Assistant Examiner — Karra S Johnson

(74) *Attorney, Agent, or Firm* — Ostrolenk Faber LLP

(57) **CLAIM**

The ornamental design for a rechargeable mono bluetooth speaker, as shown and described.

DESCRIPTION

FIG. 1 is a top, front, right side perspective view of a rechargeable mono bluetooth speaker showing my new design;

FIG. 2 is a front view thereof;

FIG. 3 is a rear view thereof;

FIG. 4 is a left side view thereof;

FIG. 5 is a right side view thereof;

FIG. 6 is a top view thereof;

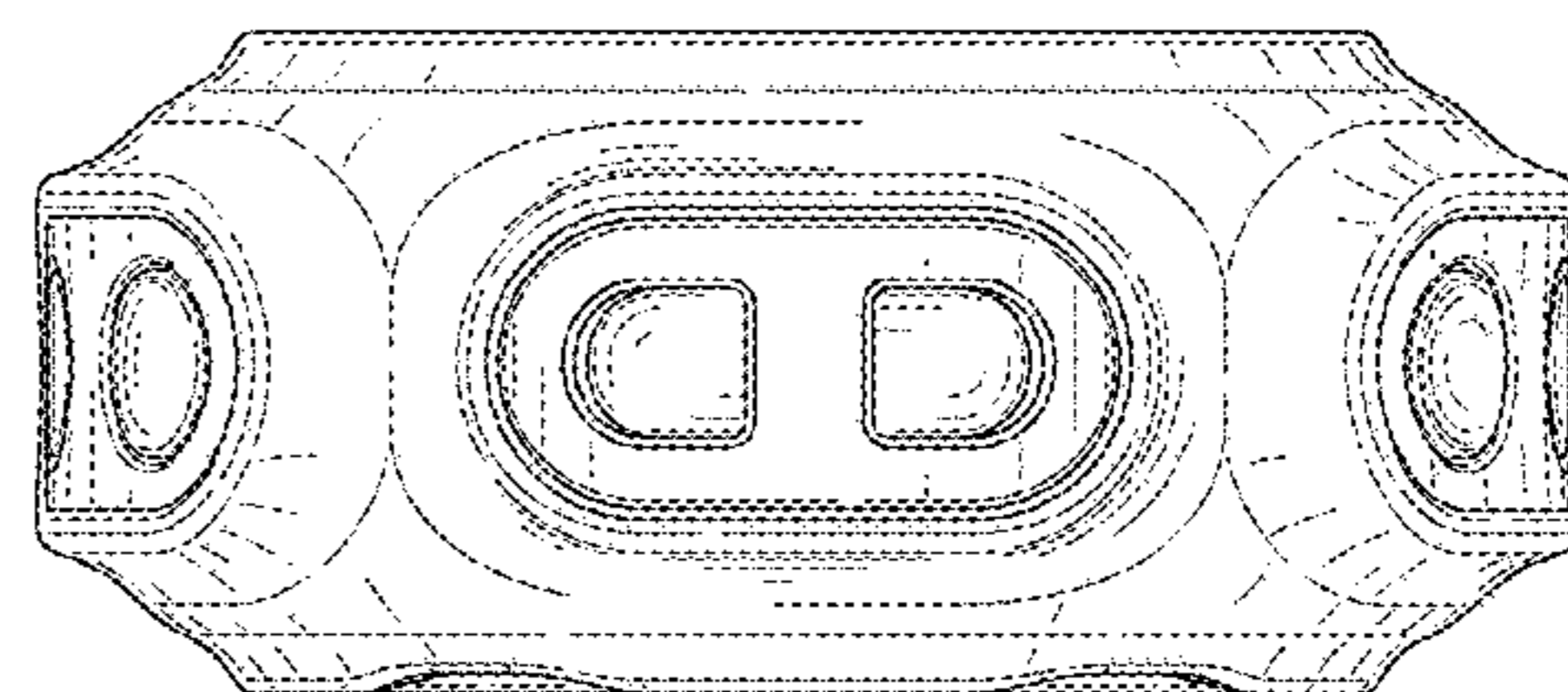
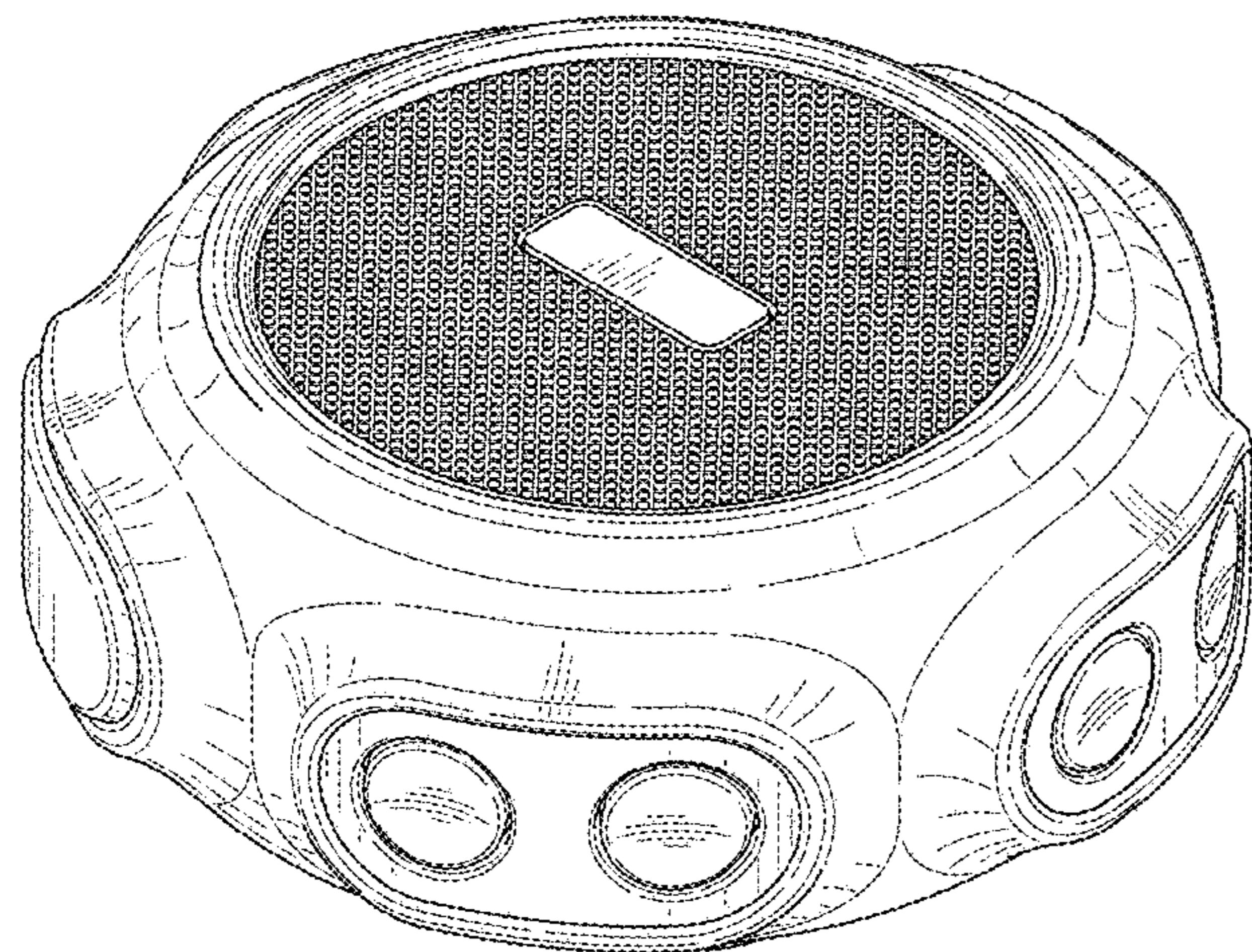
FIG. 7 is a bottom view thereof;

FIG. 8 is a cross-sectional view thereof along line 8-8 in FIG. 2; and,

FIG. 9 is a cross-sectional view thereof along line 9-9 in FIG. 5.

The broken lines in the drawings illustrate environmental material that forms no part of the claimed design.

1 Claim, 7 Drawing Sheets



(56)

References Cited

U.S. PATENT DOCUMENTS

D768,113 S * 10/2016 Lee D14/216

OTHER PUBLICATIONS

Bicycle Bluetooth Speaker, announced Jul. 11, 2016 [online], [site visited Feb. 3, 2017]. Available from internet, URL: <<https://www.amazon.com/GOSO-Bluetooth-Waterproof-Rechargeable-Wireless/dp/B01FMU9BUC>>.*

* cited by examiner

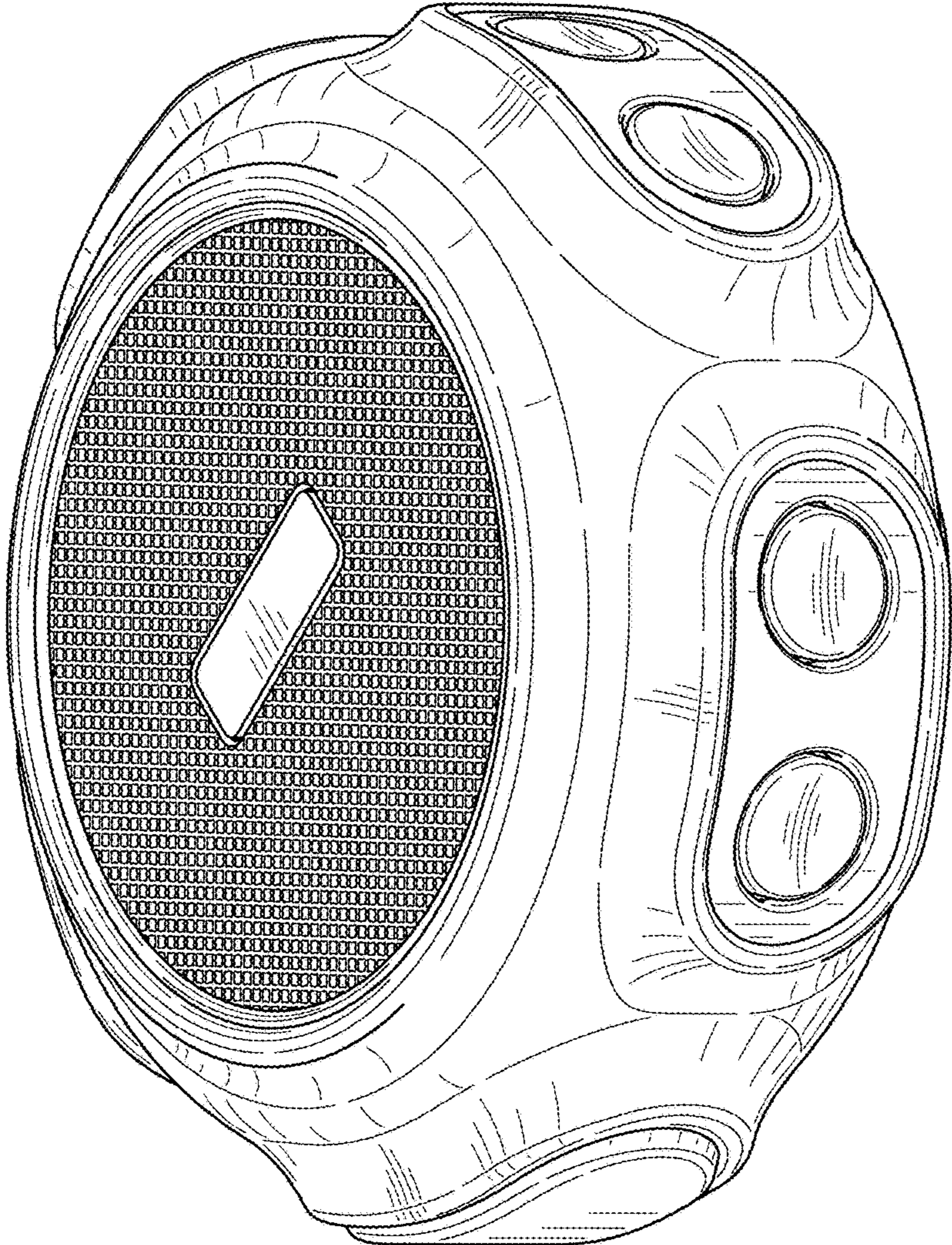


FIG. 1

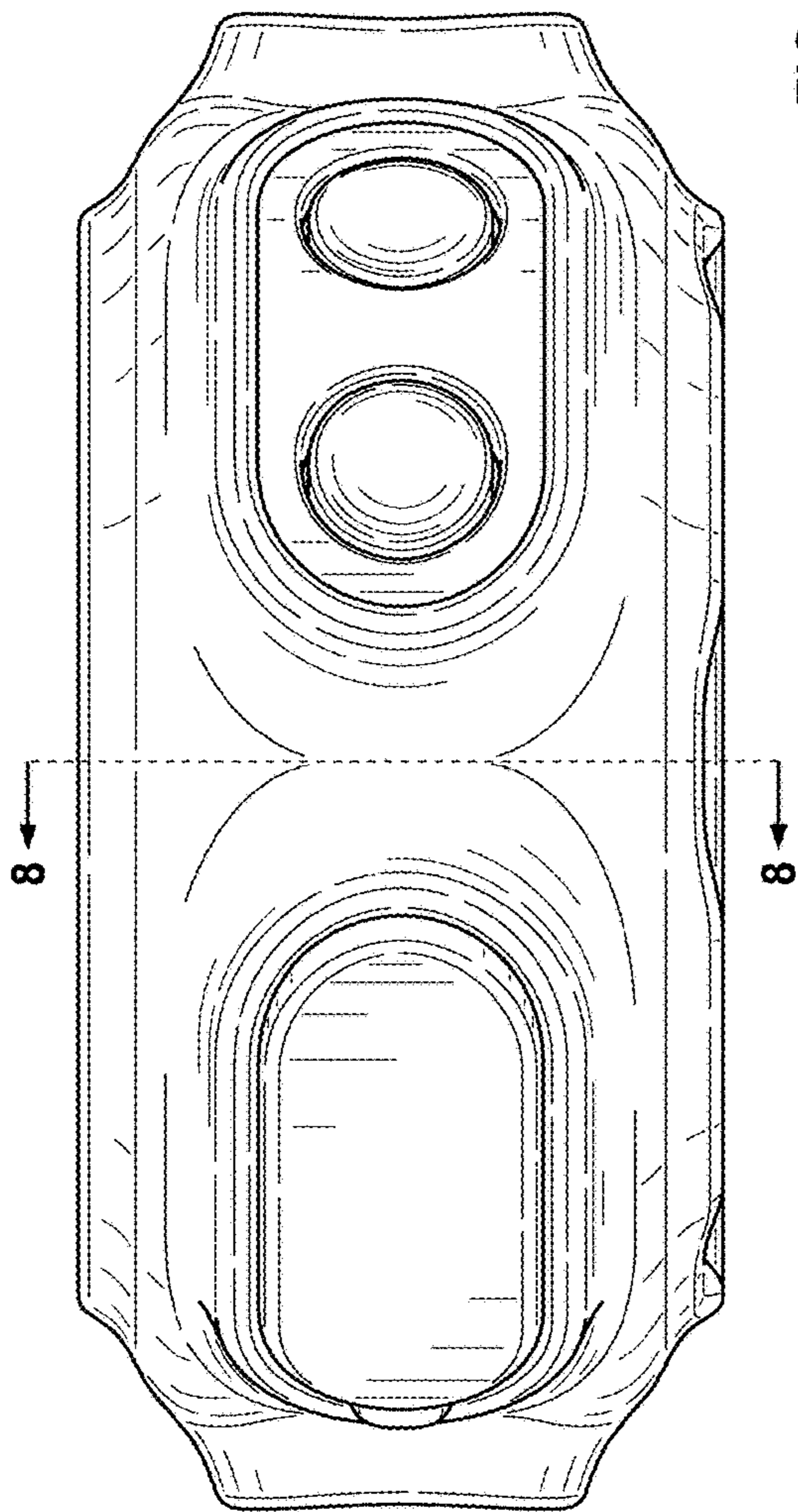


FIG. 2

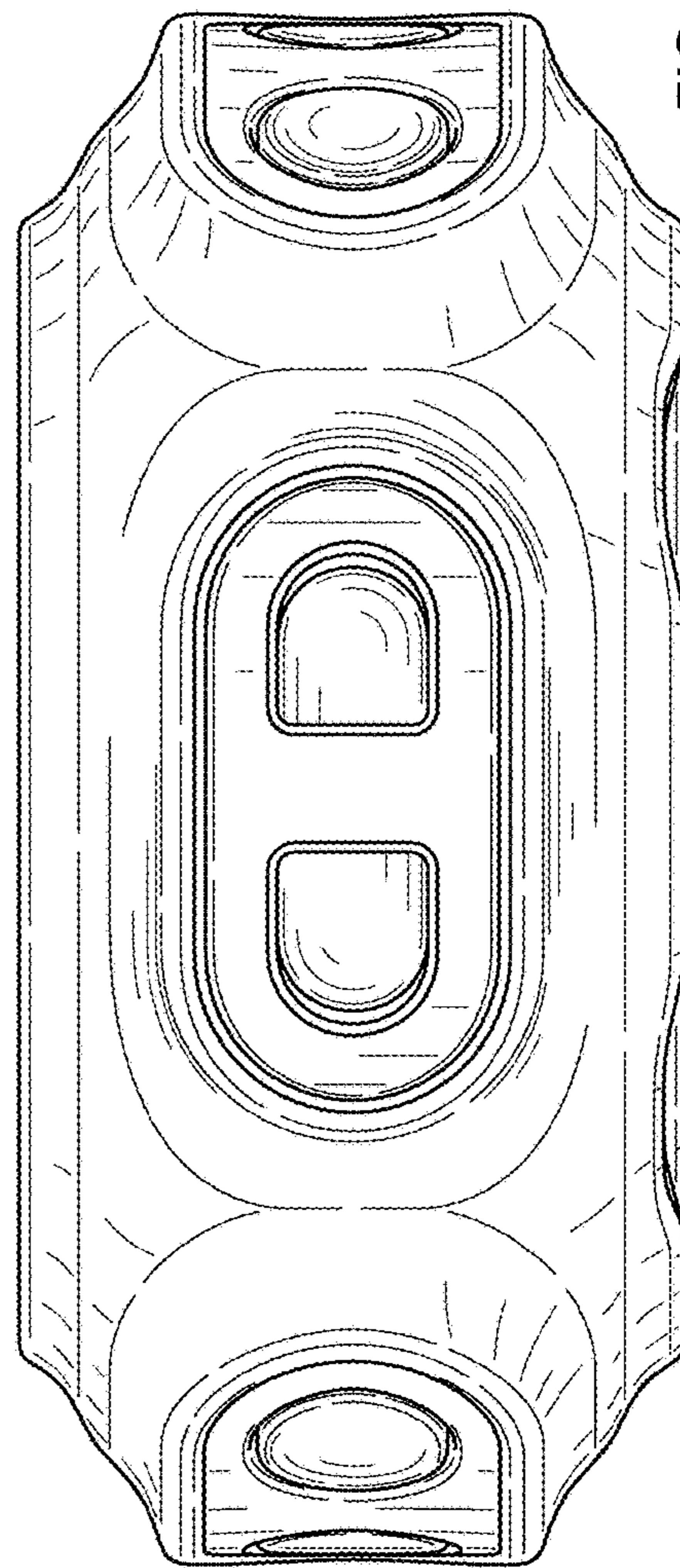


FIG. 3

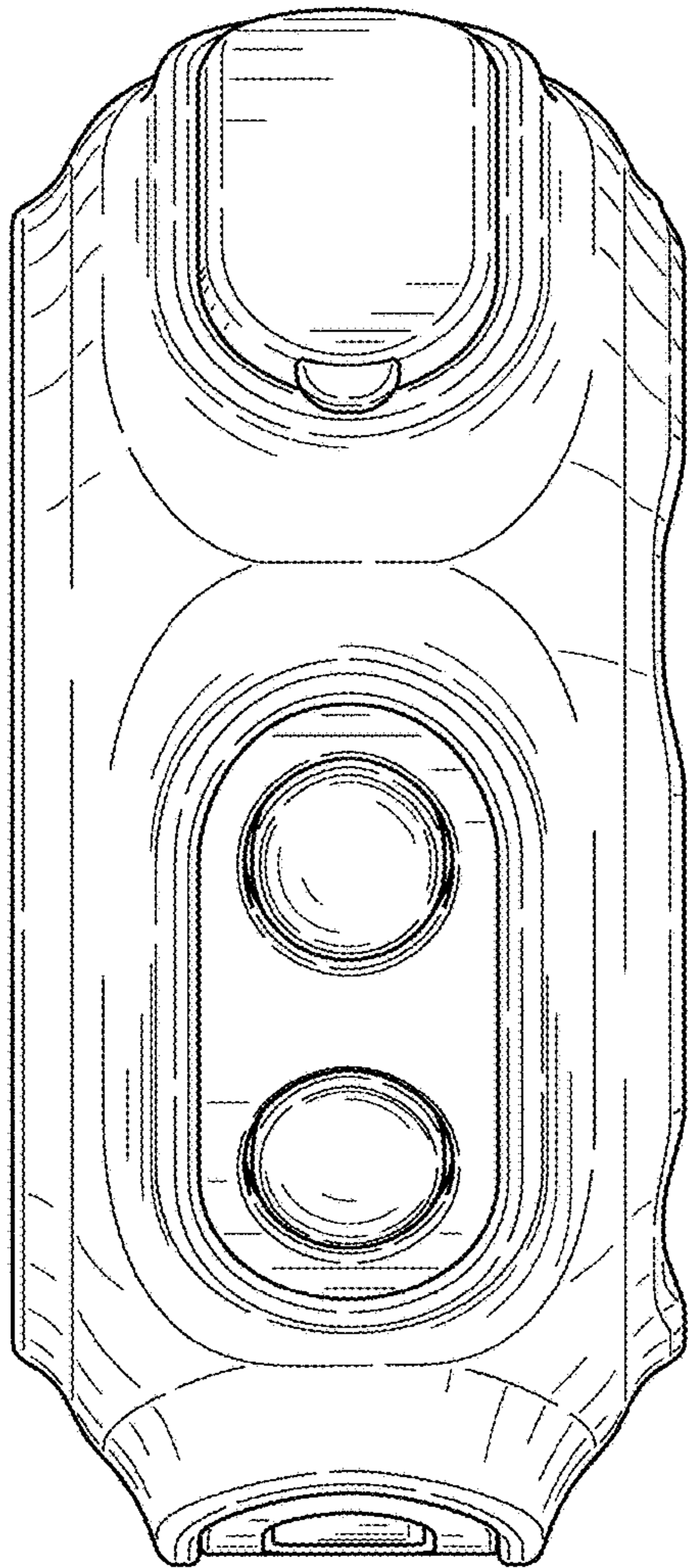


FIG. 4

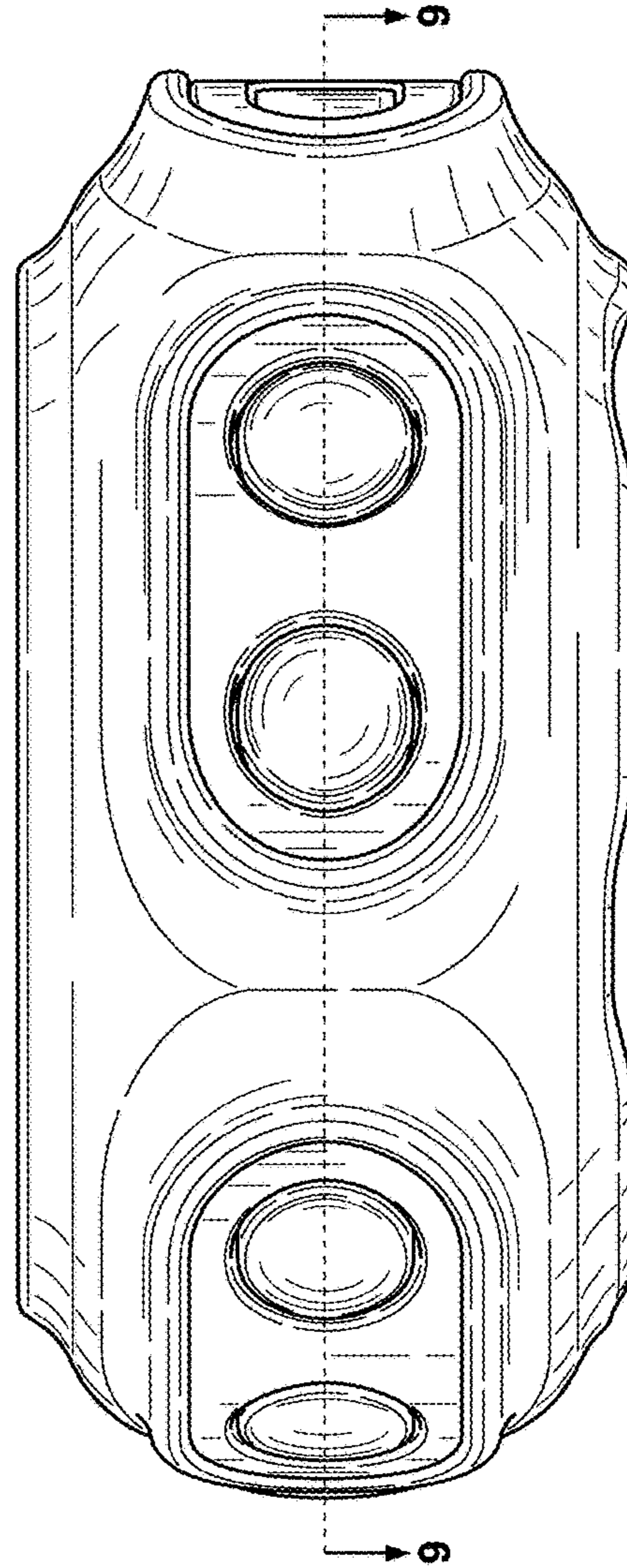


FIG. 5

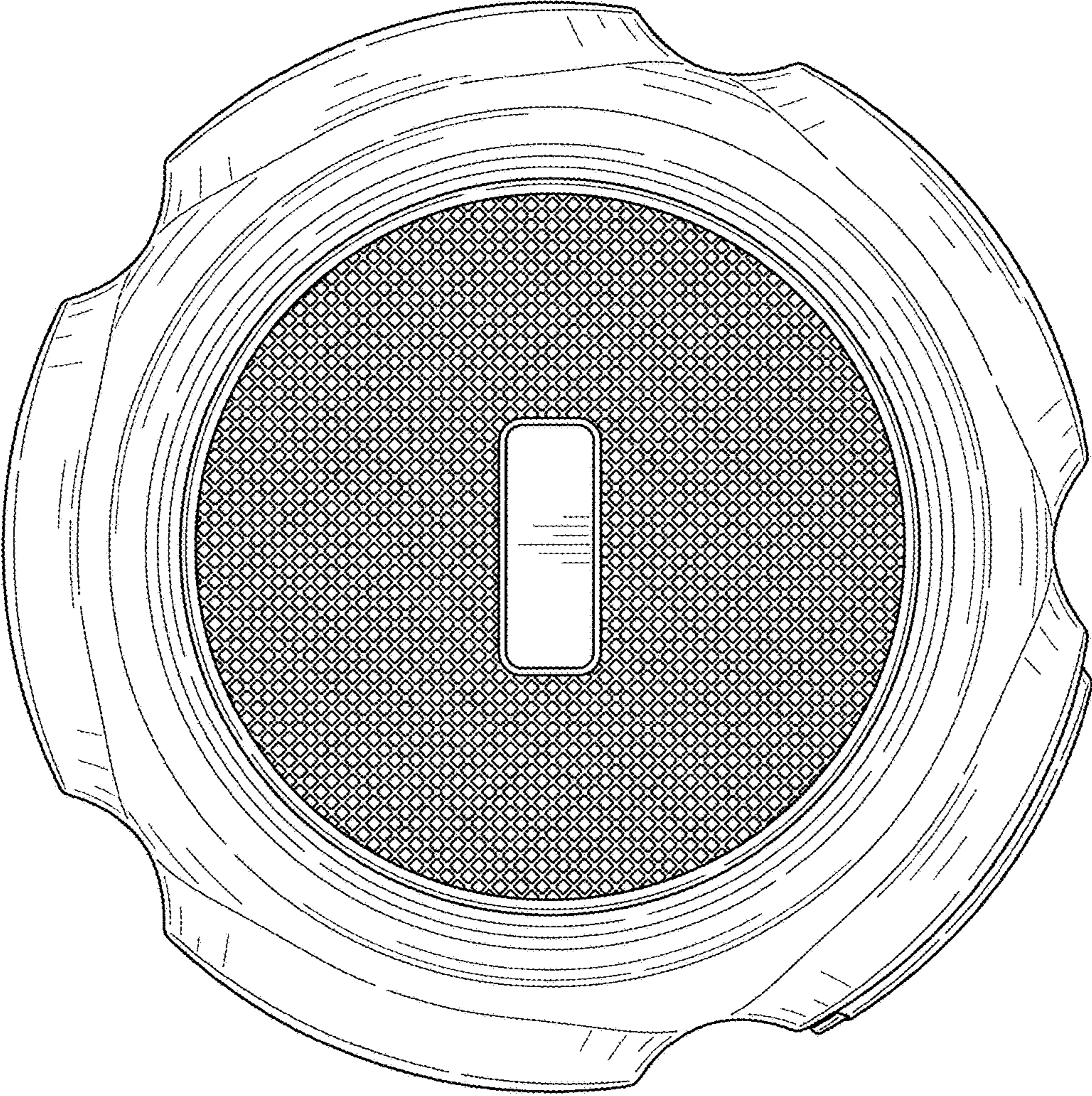


FIG. 6

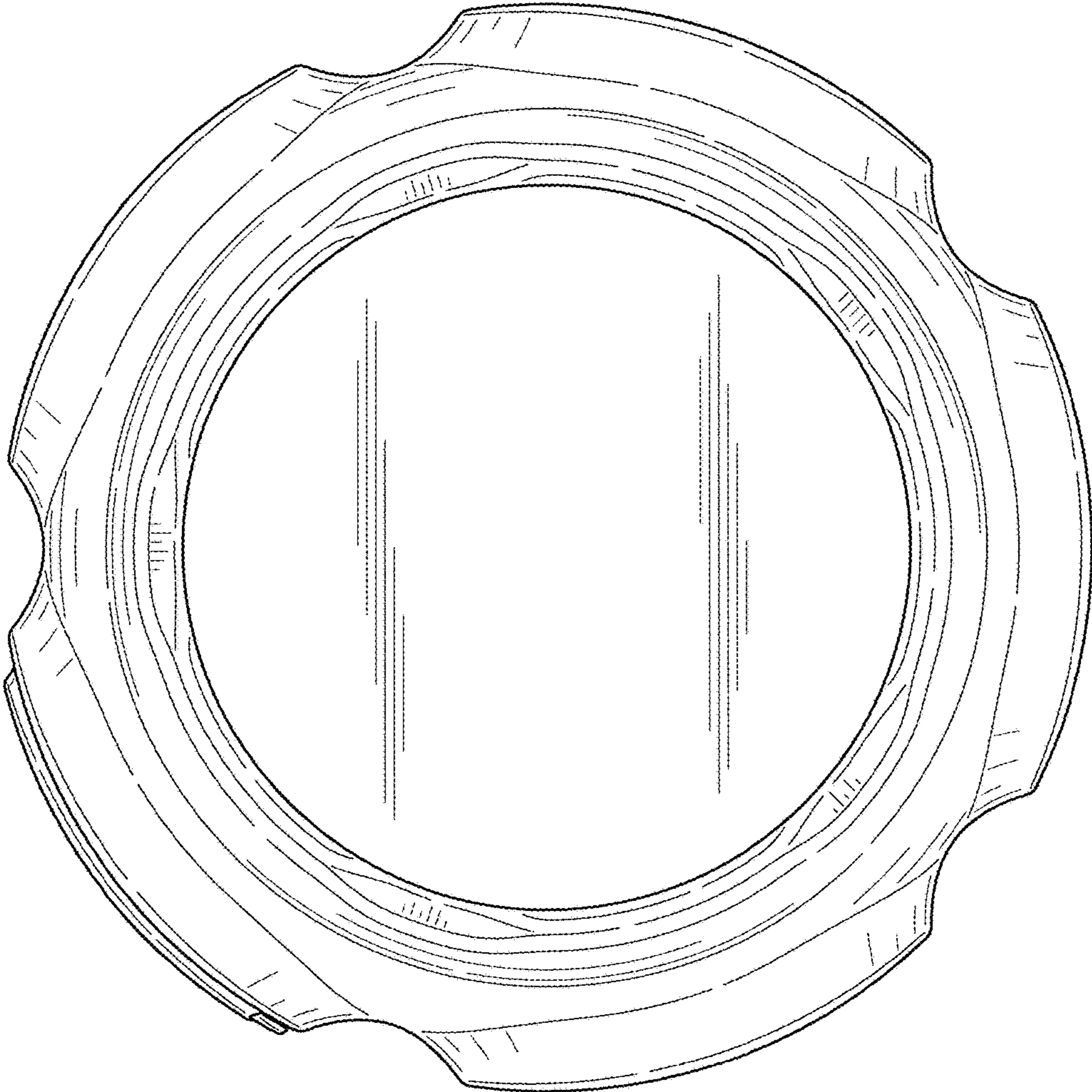


FIG. 7

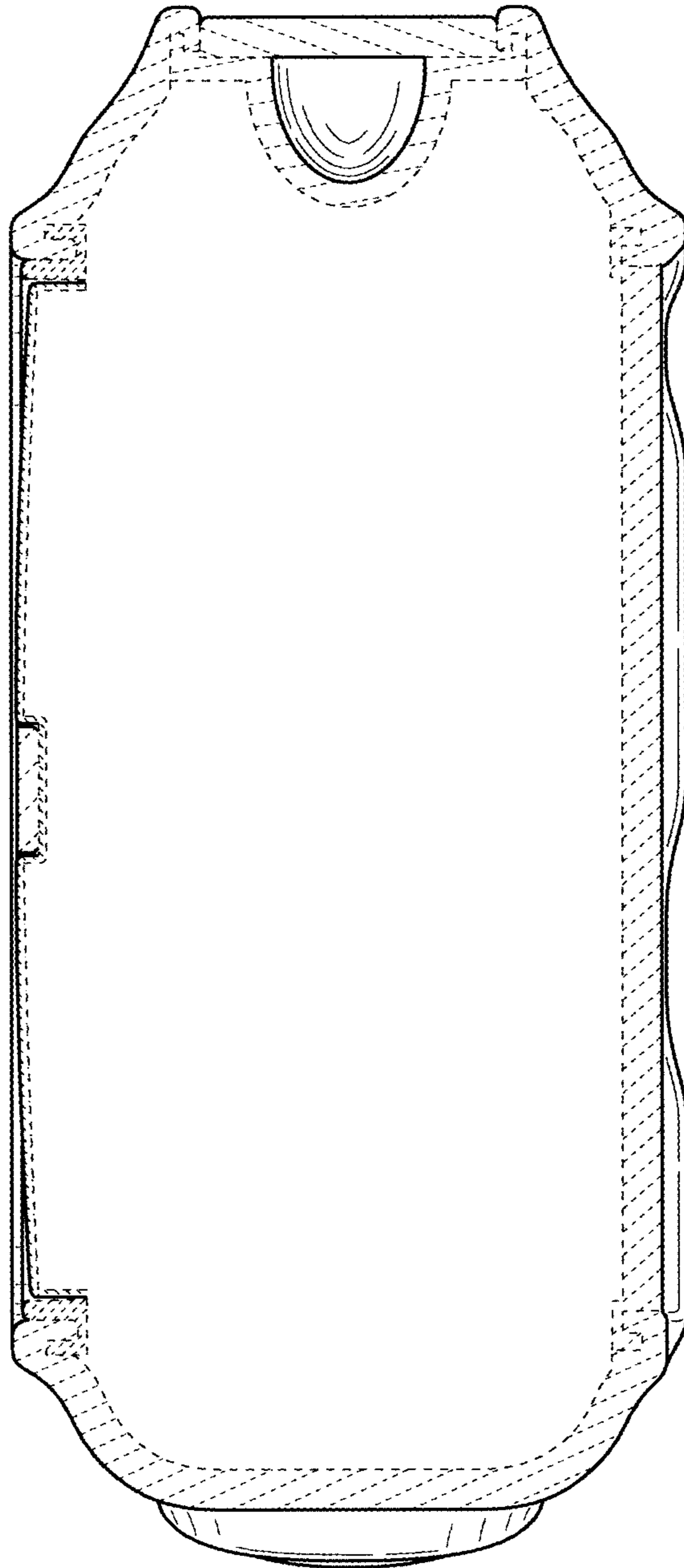


FIG. 8

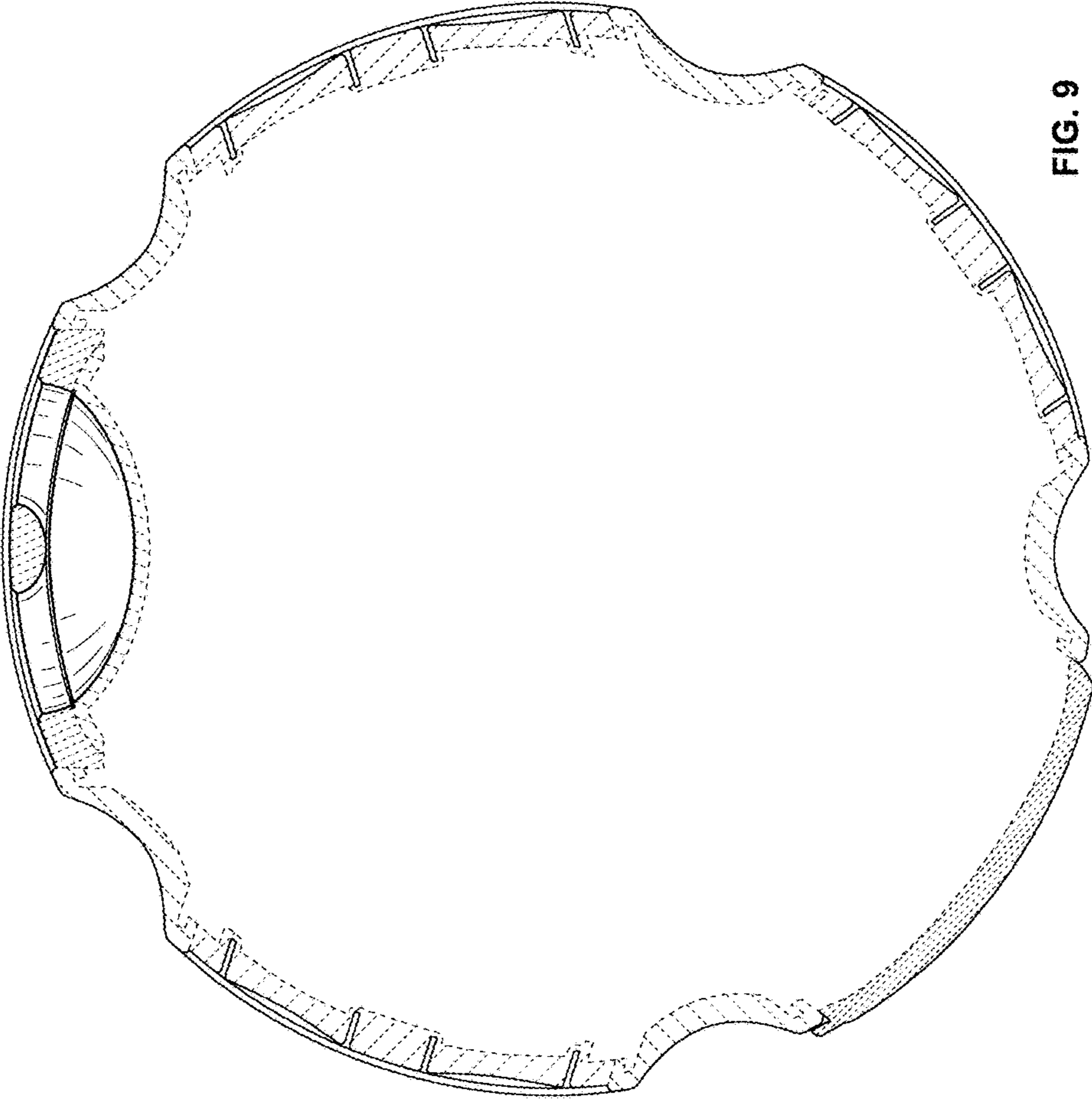


FIG. 9