



US00D788074S

(12) **United States Design Patent**  
**Green et al.**

(10) **Patent No.:** **US D788,074 S**

(45) **Date of Patent:** **\*\* May 30, 2017**

- (54) **LOW PROFILE SPEAKER**
- (71) Applicant: **Bose Corporation**, Framingham, MA (US)
- (72) Inventors: **Seth N. Green**, Newton, MA (US);  
**Ning Zhang**, Shenzhen (CN)
- (73) Assignee: **Bose Corporation**, Framingham, MA (US)
- (\*\*) Term: **15 Years**
- (21) Appl. No.: **29/541,966**
- (22) Filed: **Oct. 9, 2015**
- (51) **LOC (10) Cl.** ..... **14-01**
- (52) **U.S. Cl.**  
USPC ..... **D14/216; D14/221**
- (58) **Field of Classification Search**  
USPC ..... D14/221, 204, 209, 209.1, 210, 211,  
D14/212-216, 222, 224, 224.1;  
181/143-144, 147-148, 150-153, 157,  
181/198-199; 381/300-303, 332-333,  
381/336, 345, 361-364, 386-388, 340,  
381/392  
CPC ..... H04R 1/02; H04R 5/00; H04R 25/00  
See application file for complete search history.

- (56) **References Cited**  
U.S. PATENT DOCUMENTS  
1,808,297 A \* 6/1931 Burgess ..... H04R 9/02  
381/406  
2,924,290 A \* 2/1960 Zuerker ..... H04R 7/12  
181/165  
D188,542 S \* 8/1960 Levy ..... D14/216  
D250,586 S \* 12/1978 Nussdorfer ..... D14/216

- 4,284,166 A \* 8/1981 Gale ..... H04R 1/2826  
181/156
- D360,417 S \* 7/1995 Mark ..... D14/215
- D393,641 S \* 4/1998 Hai-Fu ..... D14/216
- D434,751 S \* 12/2000 Sogabe ..... D14/214
- D439,238 S \* 3/2001 Mackie ..... D14/214
- D442,945 S \* 5/2001 Mahgerefteh ..... D14/221
- D465,212 S \* 11/2002 Lytel ..... D14/211
- D497,902 S \* 11/2004 Farinelli ..... D14/216
- D522,496 S \* 6/2006 Smith ..... D14/221
- D548,224 S \* 8/2007 Taylor ..... D14/216
- D560,210 S \* 1/2008 Marshall ..... D14/216
- D639,779 S \* 6/2011 Chen ..... D14/216
- 8,175,321 B2 \* 5/2012 Bryant ..... H04R 7/122  
381/396
- 8,422,714 B2 \* 4/2013 Peng ..... H04R 1/2803  
181/155
- D775,107 S \* 12/2016 Green ..... D14/221

\* cited by examiner

*Primary Examiner* — Paula Greene

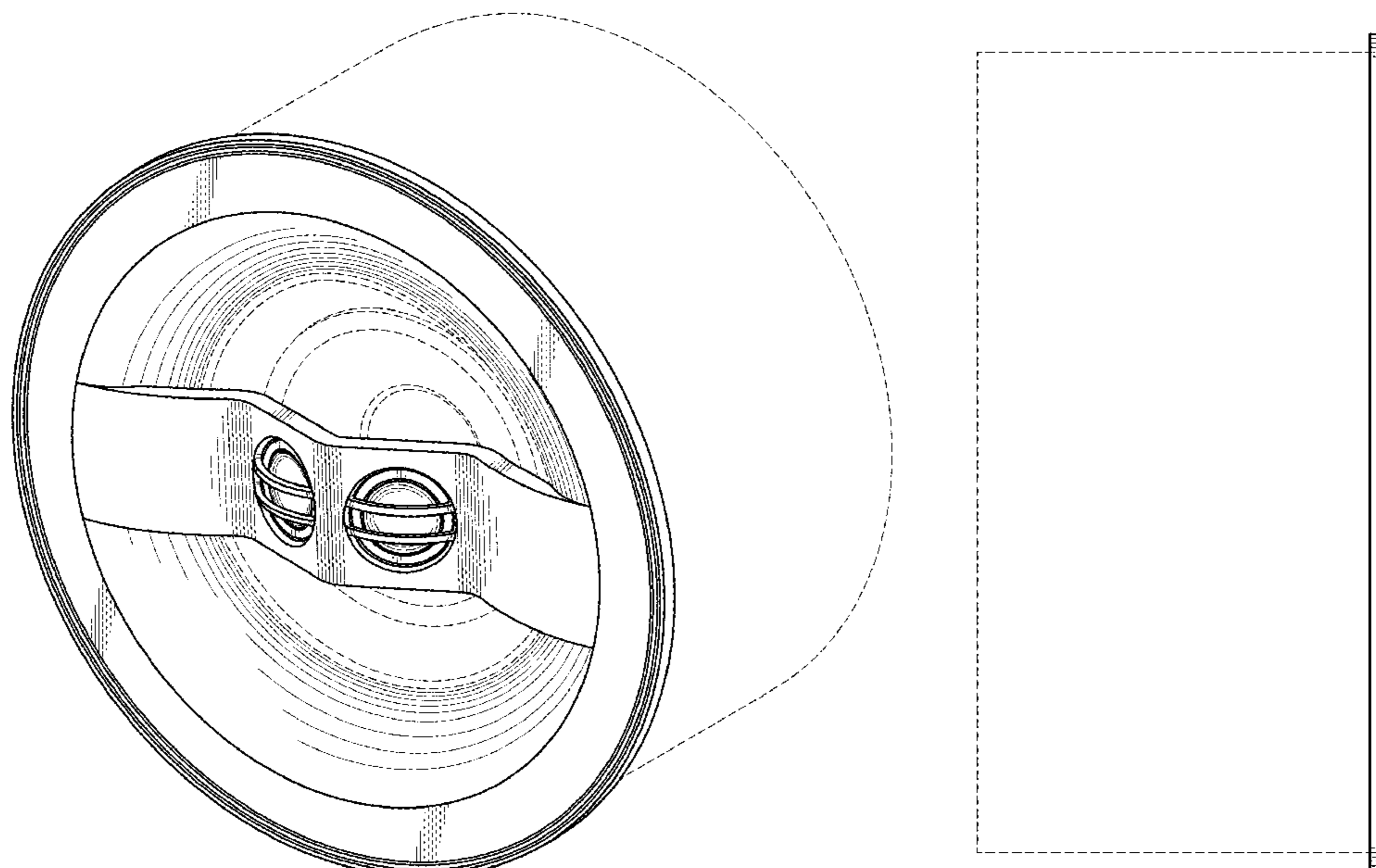
(57) **CLAIM**

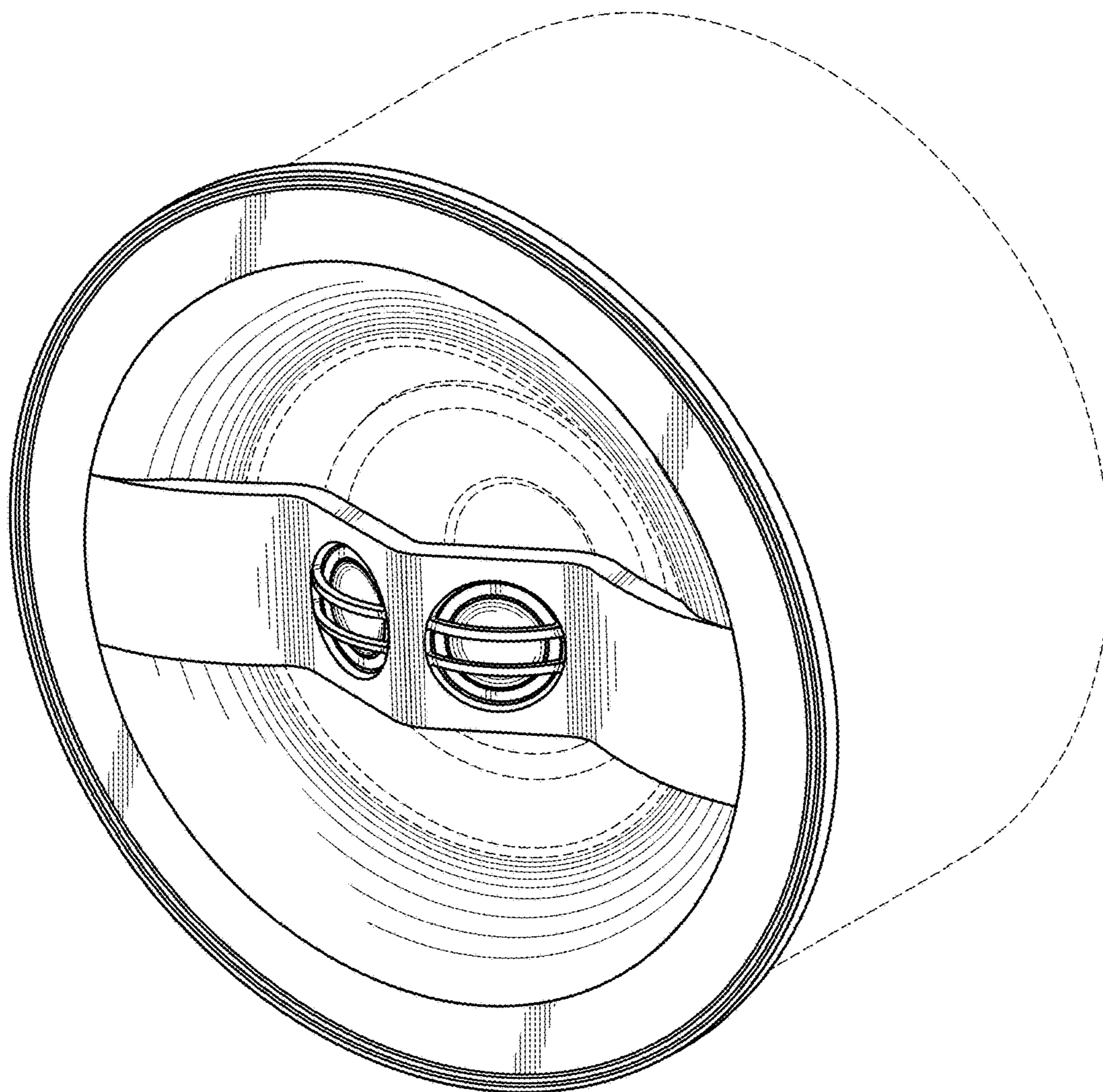
The ornamental design for a low profile speaker, substantially as shown and described.

**DESCRIPTION**

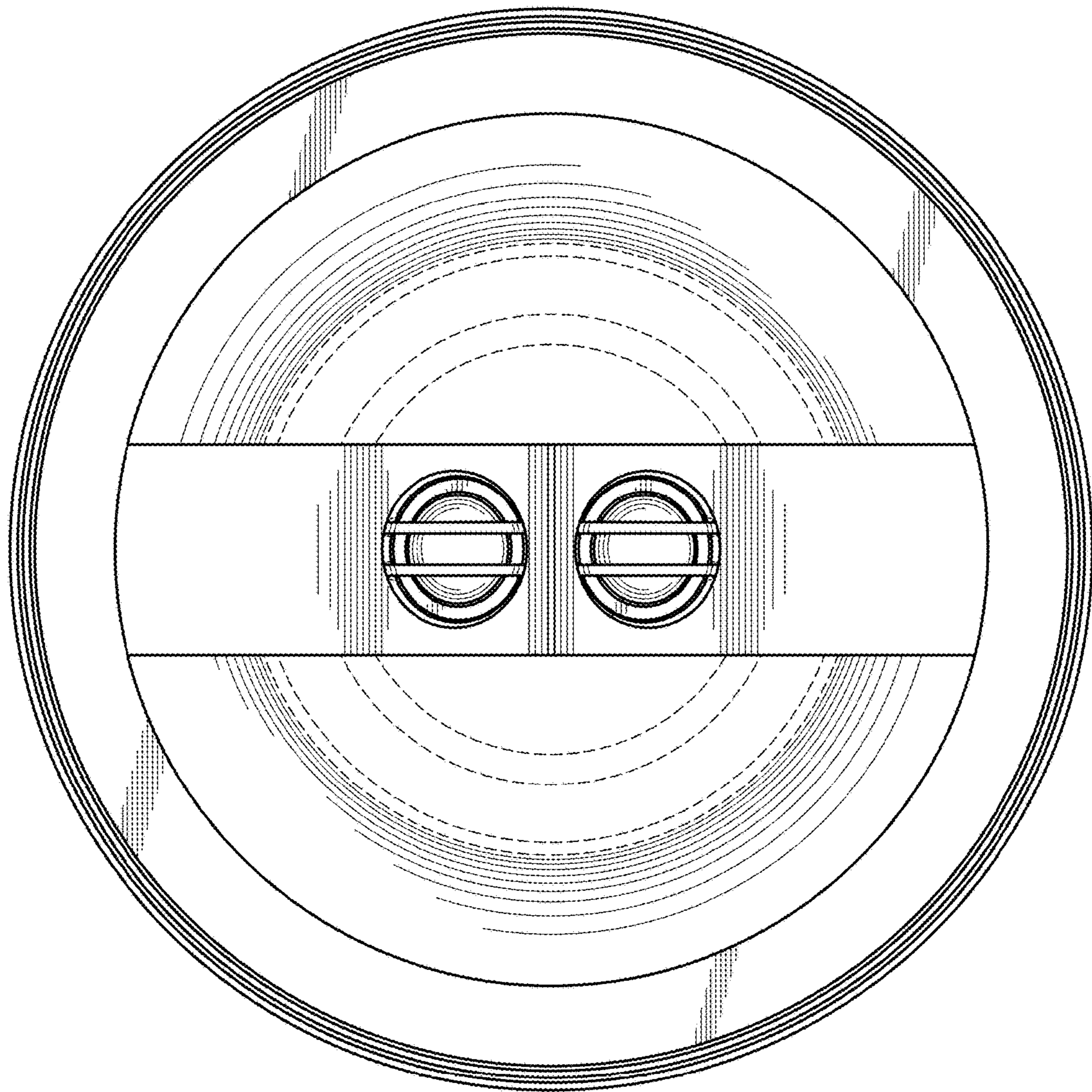
FIG. 1 is a perspective view of a low profile speaker as seen from the front, top and side;  
 FIG. 2 is a front view thereof;  
 FIG. 3 is a rear view thereof;  
 FIG. 4 is a top view thereof;  
 FIG. 5 is a bottom view thereof;  
 FIG. 6 is an opposite side view thereof; and,  
 FIG. 7 is a side view thereof.  
 The dotted line portions of the drawings represent environmental structure only and form no part of the claimed design.

**1 Claim, 6 Drawing Sheets**

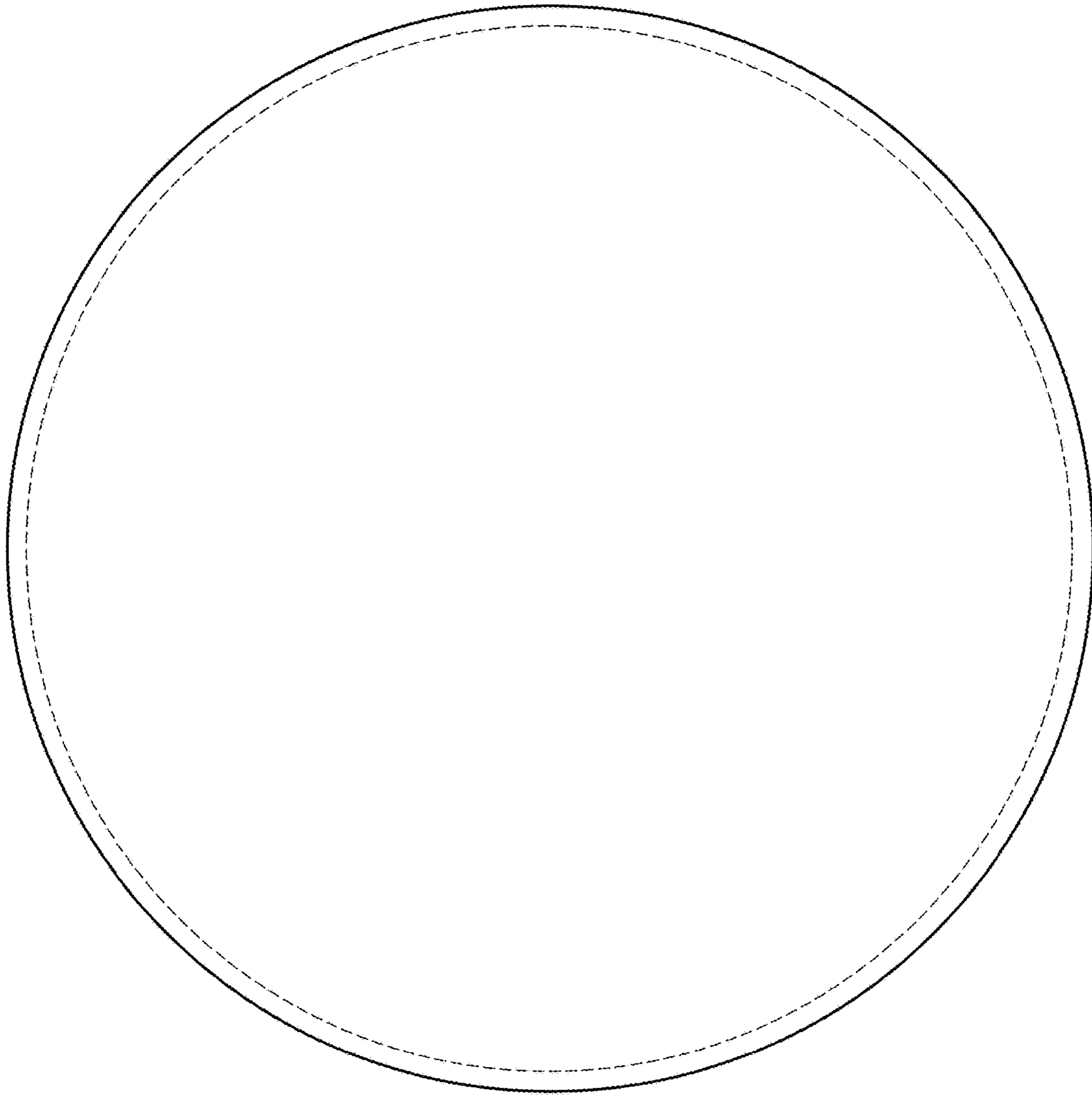




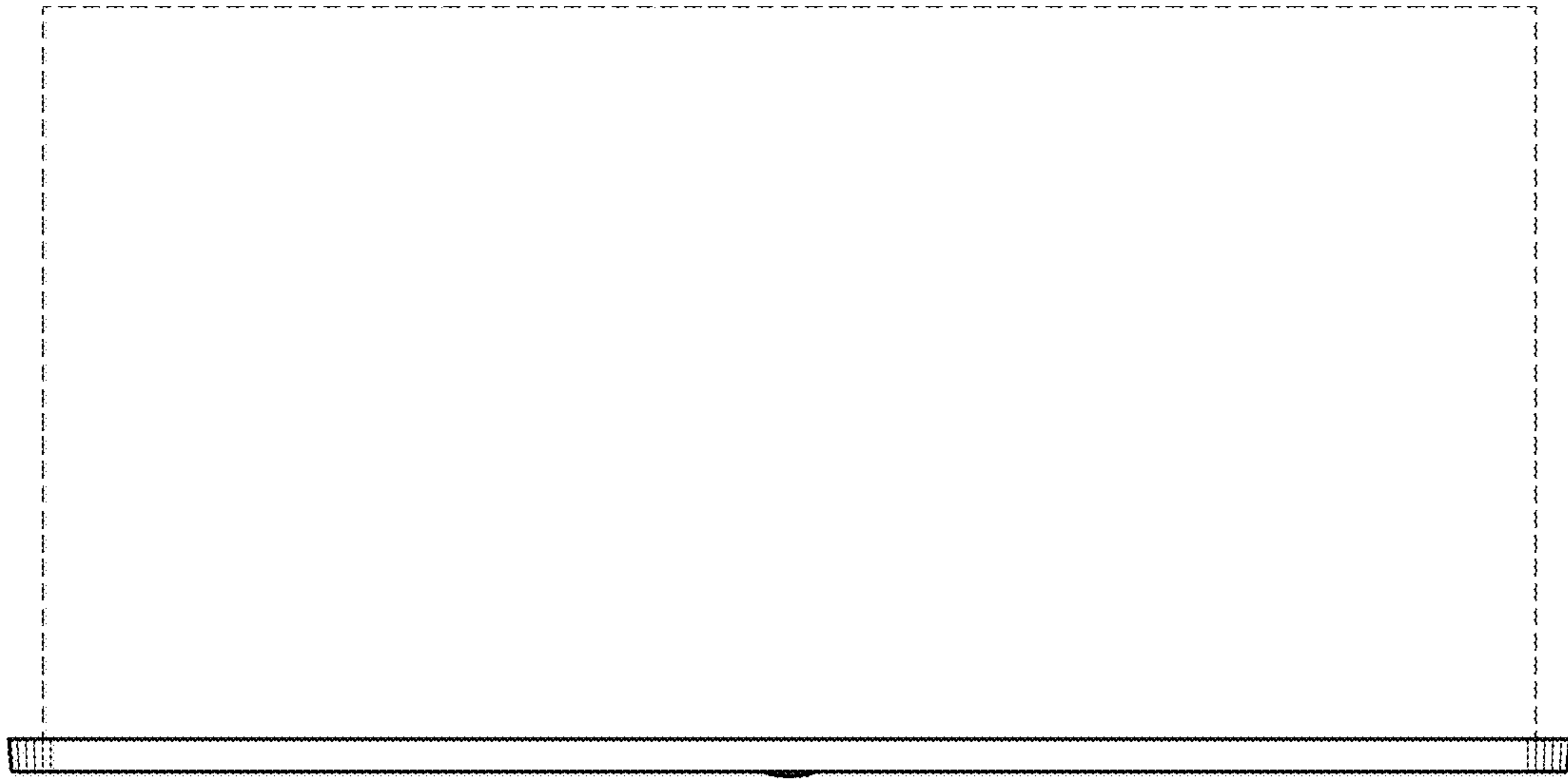
**FIG. 1**



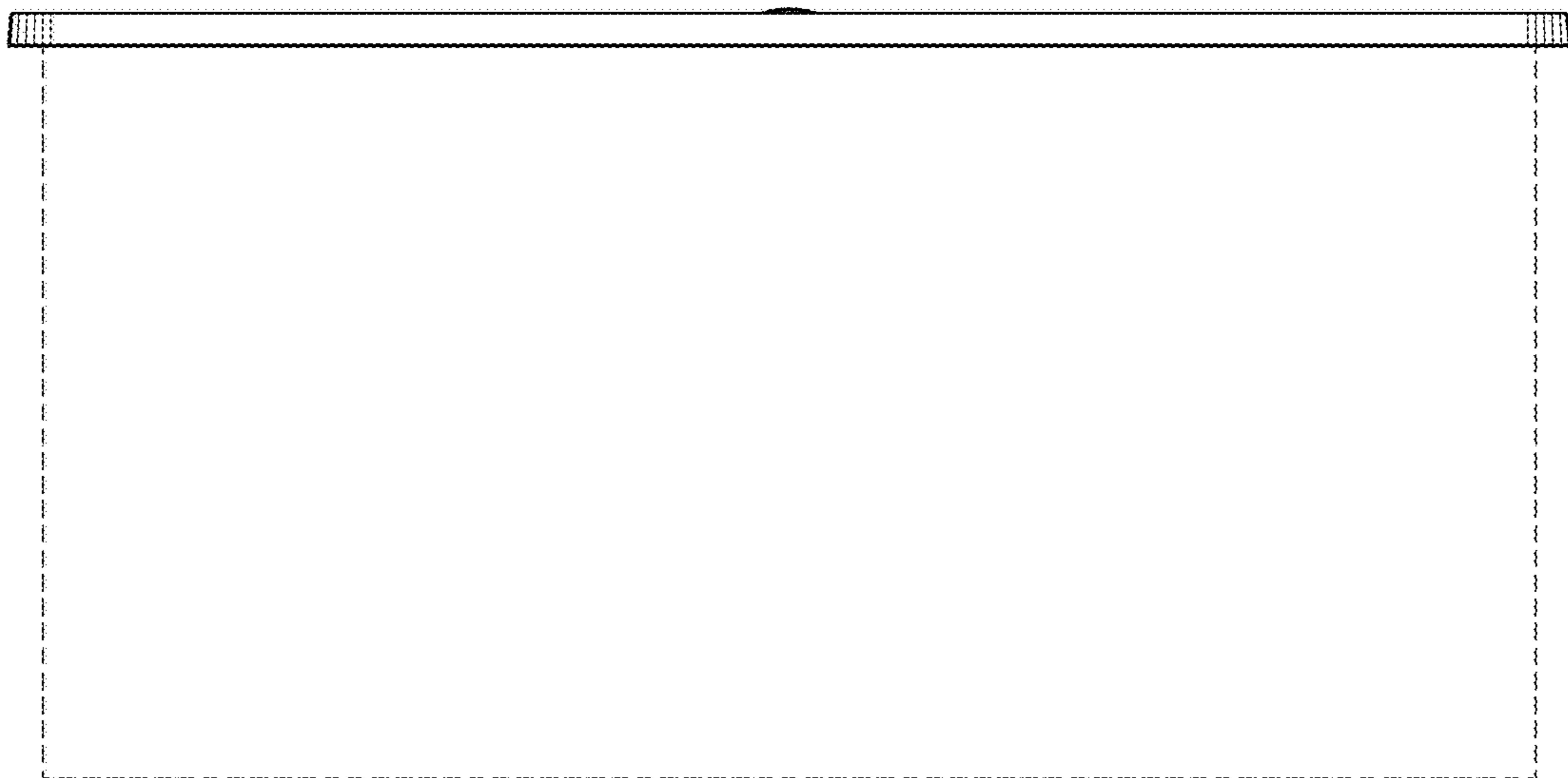
**FIG. 2**



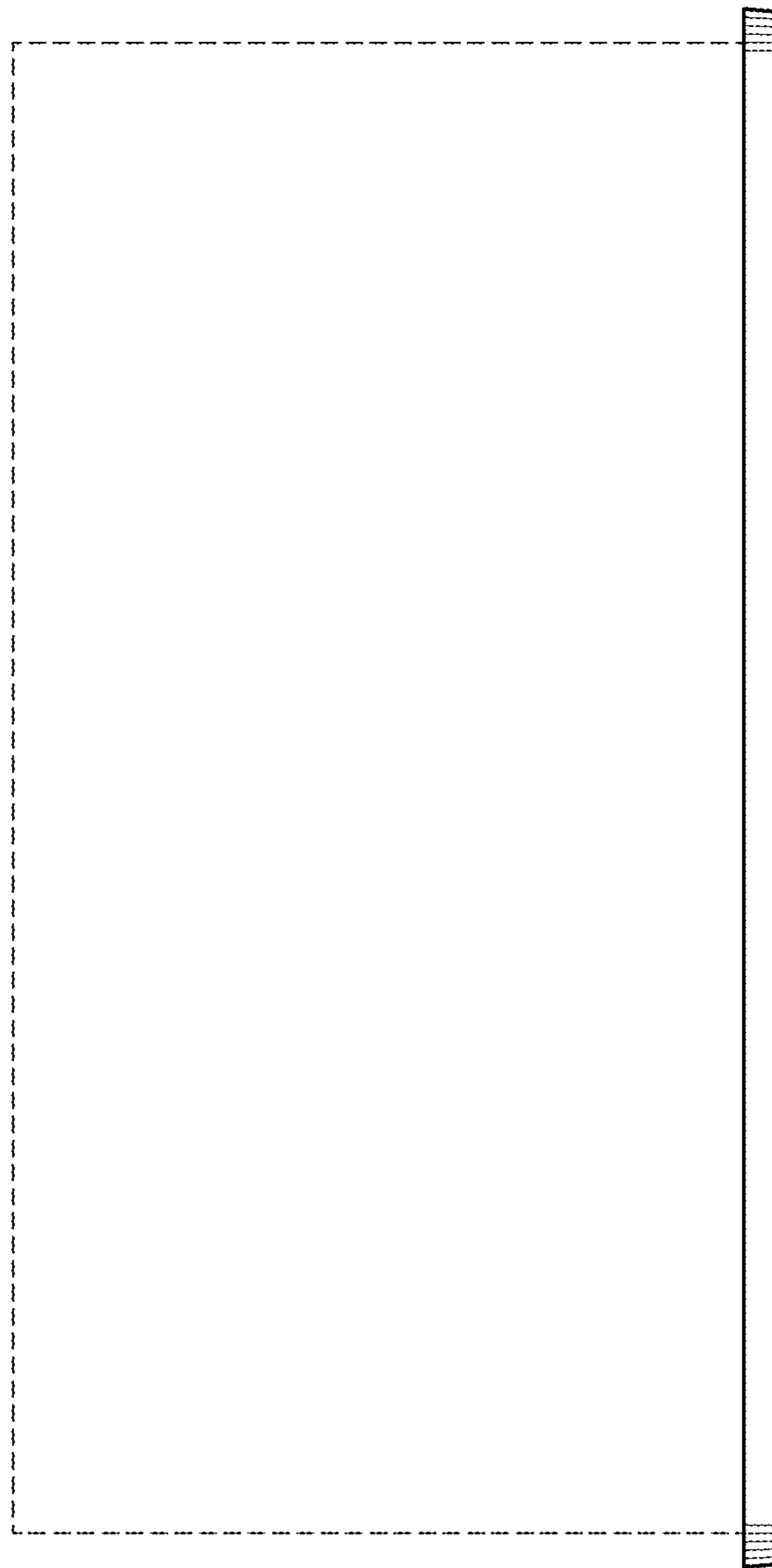
**FIG. 3**



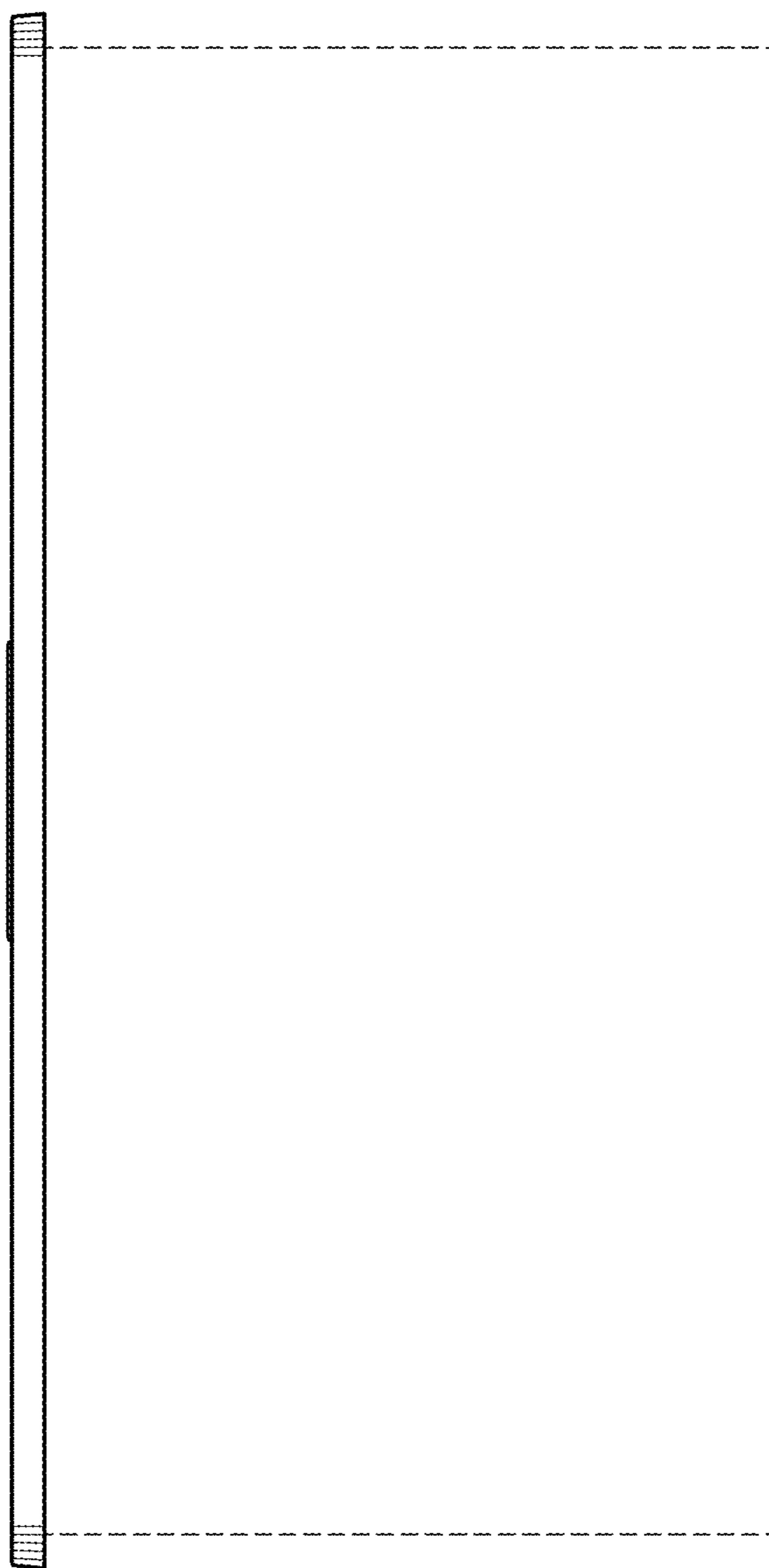
**FIG. 4**



**FIG. 5**



**FIG. 6**



**FIG. 7**