



US00D788071S

(12) **United States Design Patent**
Logan

(10) **Patent No.:** **US D788,071 S**
(45) **Date of Patent:** **** May 30, 2017**

(54) **GAMING HEADSET**

(71) Applicant: **Voyetra Turtle Beach, Inc.**, Valhalla, NY (US)

(72) Inventor: **Andrew Logan**, Calabasas, CA (US)

(73) Assignee: **VOYETRA TURTLE BEACH, INC.**, Valhalla, NY (US)

(**) Term: **15 Years**

(21) Appl. No.: **29/549,107**

(22) Filed: **Dec. 18, 2015**

Related U.S. Application Data

(63) Continuation of application No. 29/529,087, filed on Jun. 3, 2015, now Pat. No. Des. 745,860.

(51) **LOC (10) Cl.** **14-01**

(52) **U.S. Cl.**
USPC **D14/205**

(58) **Field of Classification Search**
USPC D14/205, 206, 188, 192, 372, 496;
345/7, 8; D29/112; 2/209; 181/129,
181/130, 135; 379/430, 431; 381/380,
381/381

CPC H04R 1/1066; H04R 1/10; H04R 25/00;
G09G 5/00

See application file for complete search history.

(56) **References Cited**

U.S. PATENT DOCUMENTS

D159,223 S 4/1950 Olson
D194,408 S * 1/1963 Wentworth-Jessop 455/347
D197,012 S 12/1963 Dreyfuss
3,984,885 A * 10/1976 Yoshimura H04R 5/033
381/19

D248,231 S 6/1978 Goldman et al.
D280,323 S 8/1985 Scheid et al.

D287,849 S 1/1987 O'Malley et al.
D299,643 S 1/1989 Kubota
D302,429 S 7/1989 Leer
(Continued)

FOREIGN PATENT DOCUMENTS

EM 000180328-0002 5/2004
EM 000274634-0001 1/2005
(Continued)

OTHER PUBLICATIONS

Surround Sound PC Gaming Headset PC 363D, <http://en-us.sennheiser.com/gaming-headset-pc-363d> (accessed Jun. 5, 2015).
(Continued)

Primary Examiner — Paula Greene

(74) *Attorney, Agent, or Firm* — McAndrews, Held & Malloy, Ltd.

(57) **CLAIM**

The ornamental design for a gaming headset, as shown and described.

DESCRIPTION

FIG. 1 is a front perspective view of a gaming headset showing my new design;
FIG. 2 is a front elevation view thereof;
FIG. 3 is a rear elevation view thereof;
FIG. 4 is a right-side elevation view thereof;
FIG. 5 is a left-side elevation view thereof;
FIG. 6 is a top plan view thereof;
FIG. 7 is a bottom plan view thereof; and,
FIG. 8 is a rear perspective view thereof.
The dashed broken lines illustrate portions of the gaming headset that form no part of the claimed design.
The wavy black line at the end of the cable represents an unclaimed boundary line and forms no part of the claimed design.

1 Claim, 8 Drawing Sheets



(56)

References Cited

U.S. PATENT DOCUMENTS

4,987,592 A * 1/1991 Flagg H04R 1/08
379/430

5,018,599 A 5/1991 Dohi et al.

D319,241 S 8/1991 Daido et al.

D321,350 S 11/1991 Phelan

5,095,382 A * 3/1992 Abe H04B 10/114
320/107

D328,074 S 7/1992 Yamazaki et al.

D333,137 S * 2/1993 Burke D14/206

D345,162 S 3/1994 Yamatogi

D345,163 S 3/1994 Yamatogi

D348,465 S * 7/1994 Yamatogi D14/205

D351,172 S 10/1994 Nakamura et al.

D352,039 S 11/1994 Yurkonis et al.

D369,604 S 5/1996 Morimiya

5,574,795 A * 11/1996 Seki H04R 5/0335
381/370

D377,174 S * 1/1997 Runquist D14/206

D385,272 S 10/1997 Jensen et al.

5,793,878 A 8/1998 Chang

D405,449 S 2/1999 Nakamura et al.

D409,150 S 5/1999 Davis et al.

D411,200 S * 6/1999 Almqvist D14/192

D423,012 S 4/2000 Yasutomi

6,081,604 A 6/2000 Hikichi

D429,253 S 8/2000 Robertson et al.

D430,140 S 8/2000 Roman

D431,550 S 10/2000 Yoneda

D435,249 S 12/2000 Yasutomi

D436,095 S 1/2001 Schmidt et al.

D443,603 S 6/2001 Taylor et al.

D458,246 S 6/2002 Davies et al.

D467,895 S * 12/2002 Hirano D14/192

D468,722 S 1/2003 Schmidt et al.

D468,723 S 1/2003 Pham et al.

D476,639 S * 7/2003 Bergeron D14/205

D476,645 S 7/2003 Padala et al.

D484,485 S 12/2003 Matsuoka

6,678,897 B2 1/2004 Lindgren

6,724,906 B2 * 4/2004 Naksen H04R 1/1066
381/370

D491,163 S * 6/2004 Green D14/205

D493,574 S * 7/2004 Cheeks D28/61

D520,492 S * 5/2006 Chen D14/205

D524,794 S * 7/2006 Kim D14/205

D538,261 S 3/2007 Taylor et al.

D541,255 S * 4/2007 Taylor D14/205

D549,688 S * 8/2007 Suzuki D14/205

D566,688 S * 4/2008 Wang D14/206

D571,354 S * 6/2008 Ng D14/205

D589,492 S 3/2009 Mistry

D592,639 S * 5/2009 Kuh D14/205

D594,847 S * 6/2009 Suzuki D14/205

D613,266 S * 4/2010 Barry D14/205

D634,732 S * 3/2011 Kondo D14/205

D635,958 S * 4/2011 Ando D14/205

D641,727 S 7/2011 Krauss et al.

D645,023 S 9/2011 Brandis

D660,824 S * 5/2012 Hardi D14/205

D661,685 S 6/2012 Lee et al.

D662,490 S * 6/2012 McSweyn D14/205

D664,113 S * 7/2012 Katsumata D14/205

D684,141 S 6/2013 Takamoto

D689,463 S * 9/2013 Hardi D14/205

8,559,665 B2 10/2013 Schmidt et al.

8,593,374 B2 * 11/2013 Kato H04R 1/028
345/7

RE44,672 E 12/2013 Yang et al.

8,643,568 B2 2/2014 West et al.

D706,241 S * 6/2014 Szymanski H04R 1/1066
D14/205

RE45,056 E 8/2014 Yang et al.

D713,375 S * 9/2014 Dedinas D14/206

D721,052 S * 1/2015 Carr D14/205

D721,053 S * 1/2015 Fujioka D14/205

D724,560 S 3/2015 Galler

D726,146 S 4/2015 Binder et al.

D729,196 S 5/2015 Liu

D732,001 S 6/2015 Licht et al.

D732,503 S 6/2015 Brunner et al.

D741,286 S * 10/2015 Brennwald D14/205

D745,860 S * 12/2015 Logan D14/206

D746,793 S * 1/2016 Logan D14/206

D750,041 S * 2/2016 Birger D14/205

D757,680 S * 5/2016 Kelly D14/205

D766,207 S * 9/2016 Paterson D14/205

D766,208 S * 9/2016 Paterson D14/205

2001/0017925 A1 * 8/2001 Ceravolo H04M 1/05
381/370

2008/0069391 A1 * 3/2008 Steyn H04R 1/1025
381/371

FOREIGN PATENT DOCUMENTS

EM 000291745-0001 2/2005

EM 000991799-0001 8/2008

EM 001142582-0001 6/2009

EM 001309157-0001 1/2012

EM 001309157-0002 1/2012

EM 002011197-0001 3/2012

EM 002011197-0002 3/2012

EM 002124107-0001 10/2012

EM 001373476-0001 5/2013

EM 001373476-0002 5/2013

EM 001373476-0003 5/2013

WO DM/055161 9/2000

WO DM/081648 4/2013

OTHER PUBLICATIONS

Headphones with microphone vector icon, <http://www.shutterstock.com/pic-154701656/stock-vector-headphones-with-microphone-vector-icon.html> (accessed Jun. 5, 2015).

Original Sades SA-708 pc gamer headset dj studio headphone with microphone game earphones voice headset with mic, <http://www.aliexpress.com/item/Original-SADES-SA-708-PC-Gamer-Headset-DJ-Studio-Headphone-With-Microphone-Game-Earphones-Voice-Headset/1979402346.html?s=p> (accessed Jun. 5, 2015).

Cosonic CT-800 Gaming On-Ear Headphone with Mic for Computer, http://www.alibaba.com/product-detail/Cosonic-CT-800-Gaming-On-Ear_1984968377.html (accessed Jun. 5, 2015).

Lupuss G1 desktop earphones headset bass voice headset microphone CF, http://www.aliexpress.com/store/product/Lupuss-g1-desktop-earphones-headset-bass-voice-headset-microphone-cf/1686403_32278789265.html (accessed Jun. 5, 2015).

Headphones with microphone, <http://depositphotos.com/5237432/stock-photo-headphones-with-microphone.html> (accessed Jun. 5, 2015).

Vector—Realistic illustration of headset, http://www.123rf.com/photo_7588899_realistic-illustration-of-headset.html (accessed Jun. 5, 2015).

BeyerDynamic DT 109 Headset 400 ohms, with 200 ohms mic, grey, http://www.canford.co.uk/Products/54-109_BEYERDYNAMIC-DT-109-HEADSET-400-ohms-with-200-ohms-mic-grey (accessed Jun. 5, 2015).

Somic® G909 7.1CH Sound Effect Stereo Gaming Wired Headset with Microphone Vibration Bass Speakers and Soft Earpads, <http://www.gumptrade.com/computer-accessories/gaming-headsets/g909-7-1ch-stereo-gaming-wired-headset-microphone-with-vibration-increasing-bass-speakers-and-soft-earpads.html> (accessed Jun. 5, 2015).

Yellow headset with microphone isolated on white background, http://www.123rf.com/photo_12023794_yellow-headset-with-microphone-isolated-on-white-background.html?term=headset (accessed Jun. 5, 2015).

SurroFree Shipping Deep Bass Sound Light Stereo Game Headset Gaming Headphones Computer Earphones With Microphone for PC Gamer, <http://www.aliexpress.com/store/product/Surround-Sound->

(56)

References Cited

OTHER PUBLICATIONS

Game-Headset-Gaming-Headphones-With-Microphone-for-PC-Gamer-Game-Earphones-Voice-Headset/1302088_2008019493.html (accessed Jun. 5, 2015).

Kanen KM-780 Head-band Type 3.5mm-plug Wired Stereo Computer PC Headphone Headset with Microphone, <http://www.buysku.com/wholesale/kanen-km-780-head-band-type-3-5mm-plug-wired-stereo-computer-pc-headphone-headset-with-microphone-black.html> (accessed Jun. 5, 2015).

Tritton Kama Stereo Headset for Xbox One and Mobile Devices, <http://www.amazon.com/TRITTON-Kama-Stereo-Headset-Mobile-Devices/dp/B00KWADZY6> (accessed Jun. 5, 2015).

Idomax HF-290 USB Stereo Gaming Headset with Microphone, <http://www.shopmania.com/headphones/p-idomax-nf-290-usb-stereo-gaming-headset-w-microphone-black-231237613> (accessed Jun. 5, 2015).

Razer Chimaera 5.1 Wireless Gaming Headset Review, <http://www.ign.com/articles/2011/08/09/razer-chimaera-5-1-wireless-gaming-headset-review> (accessed Jun. 5, 2015).

Kinbas Stereo Headset Headband PC Notebook Gaming Headset With Microphone Black, <http://www.ebay.com.au/tm/KINBAS-Stereo-Headset-Headband-PC-Notebook-Gaming-Headset-With-Microphone-Black-/390675126827> (accessed Jun. 5, 2015).

Intex Streak Headset—IT-HS501, <https://www.mystore.lk/intex-streak-headset-it-hs501> (accessed Jun. 5, 2015).

Headset Classic Round Sticker, http://www.zazzle.ca/headset_classic_round_sticker-217639861761597142 (accessed Jun. 5, 2015).

Gaming Headset Buyer's Guide: Tritton Ghost Recon Future Soldier 7.1, <http://www.ripton.com/2012/05/28/gaming-headset-buyers-guide-tritton-ghost-recon-future-soldier-7-1/> (accessed Jun. 5, 2015).

Sennheiser MB Pro 2 Premium Double-Sided Bluetooth Headset, <http://www.voiplink.com/headsets/bluetooth-headsets/sennheiser-mb-pro-2-premium-double-sided-bluetooth-headset-506044-new.html> (accessed Jun. 5, 2015).

Sennheiser E906 Instrumental Microphone, <http://www.acclaim-music.com/Sennheiser-E906-Instrumental-Microphone.html> (accessed Jun. 5, 2015).

Black Microphone, <http://recordinghacks.com/2012/07/20/lewitt-Ict640-review/> (accessed Jun. 5, 2015).

* cited by examiner



FIG. 1

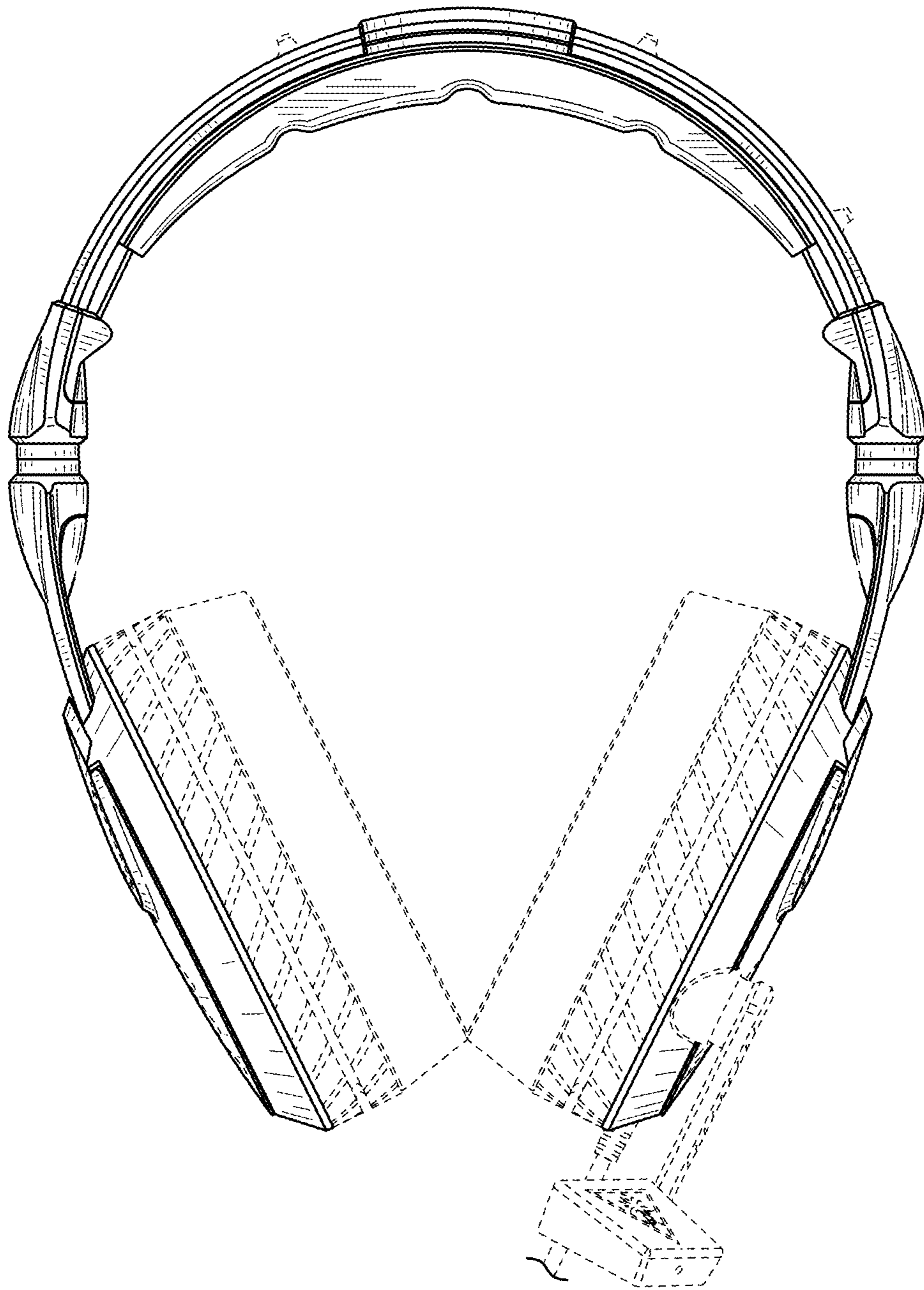


FIG. 2

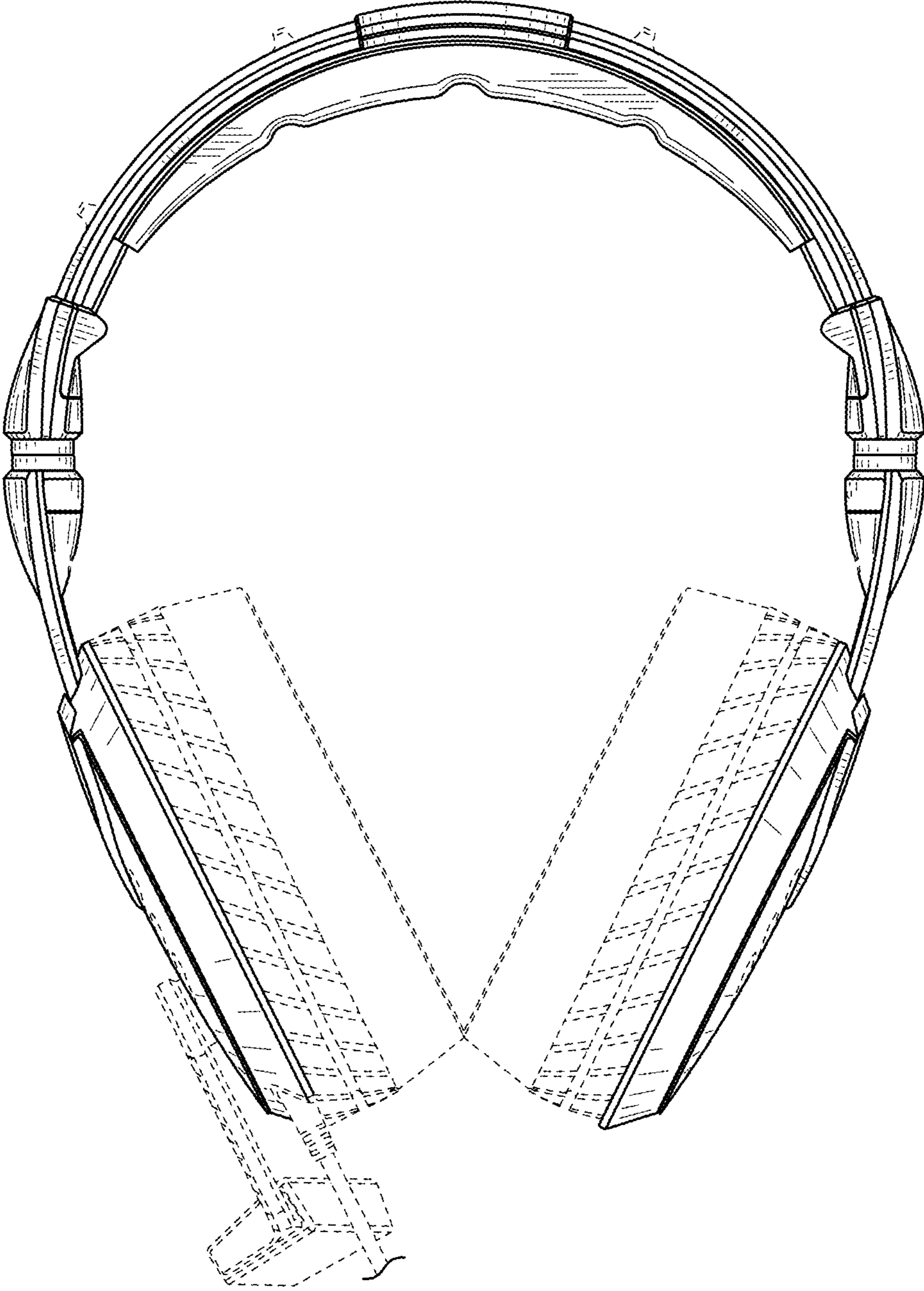


FIG. 3

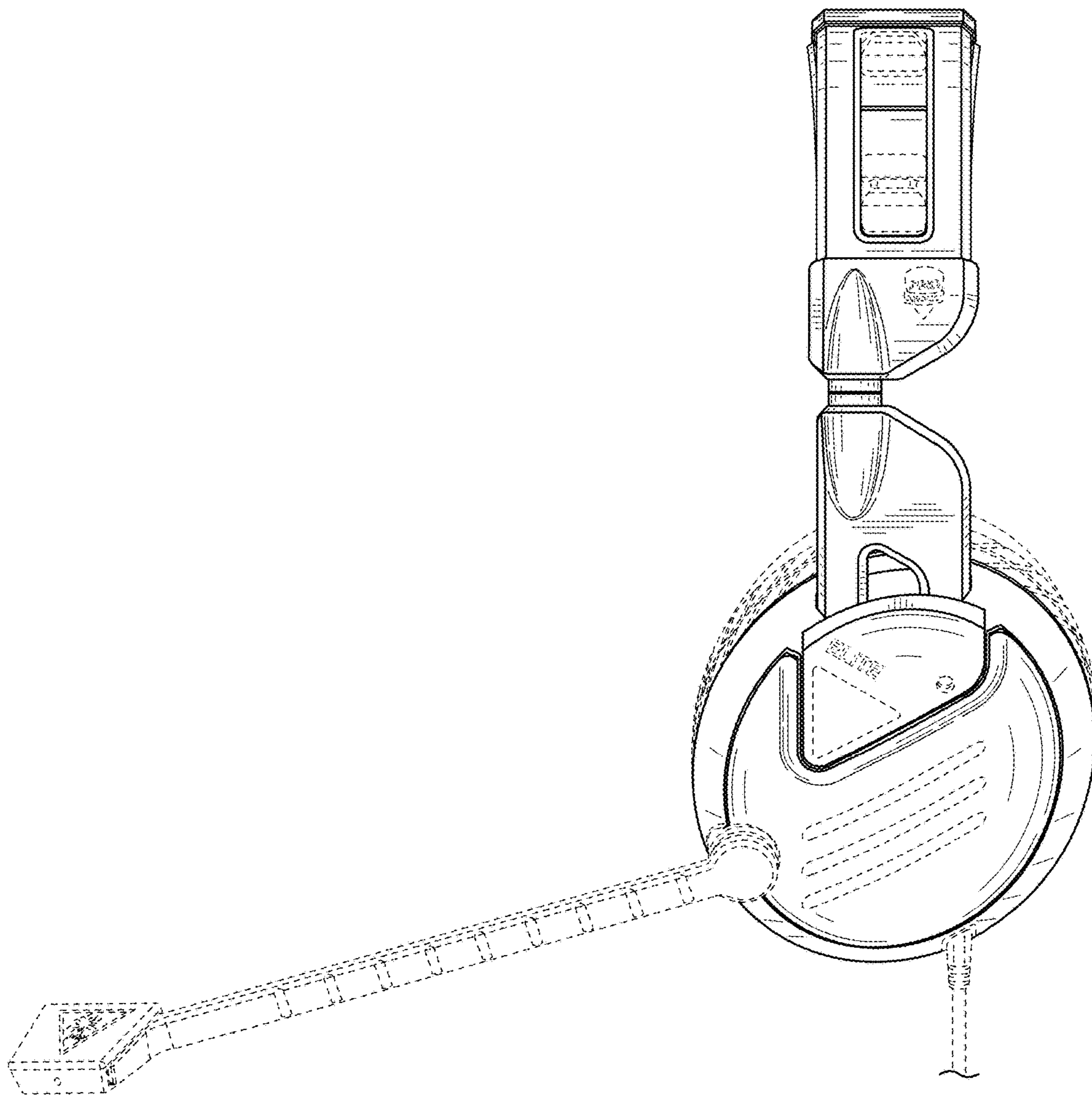


FIG. 4

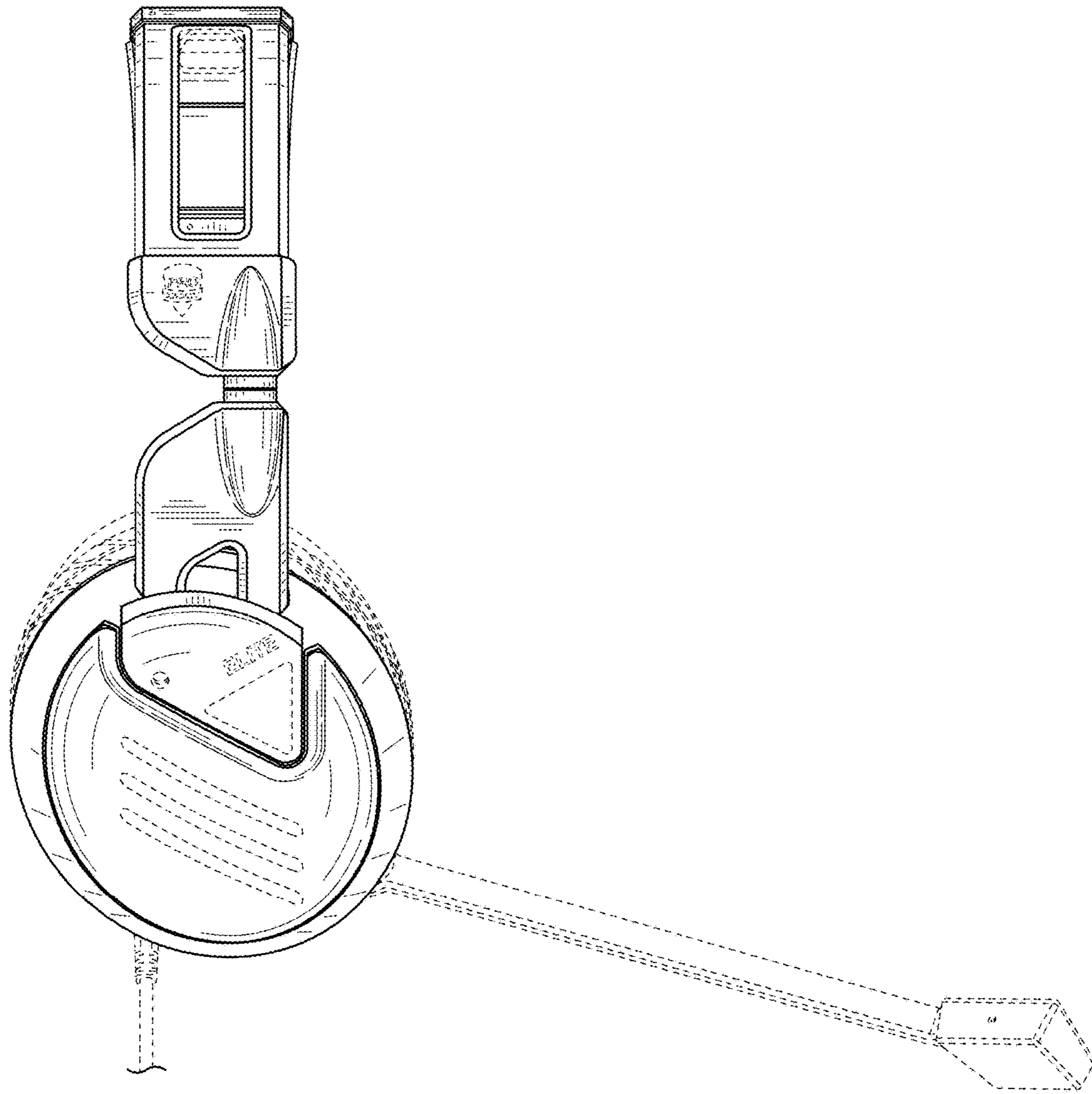


FIG. 5

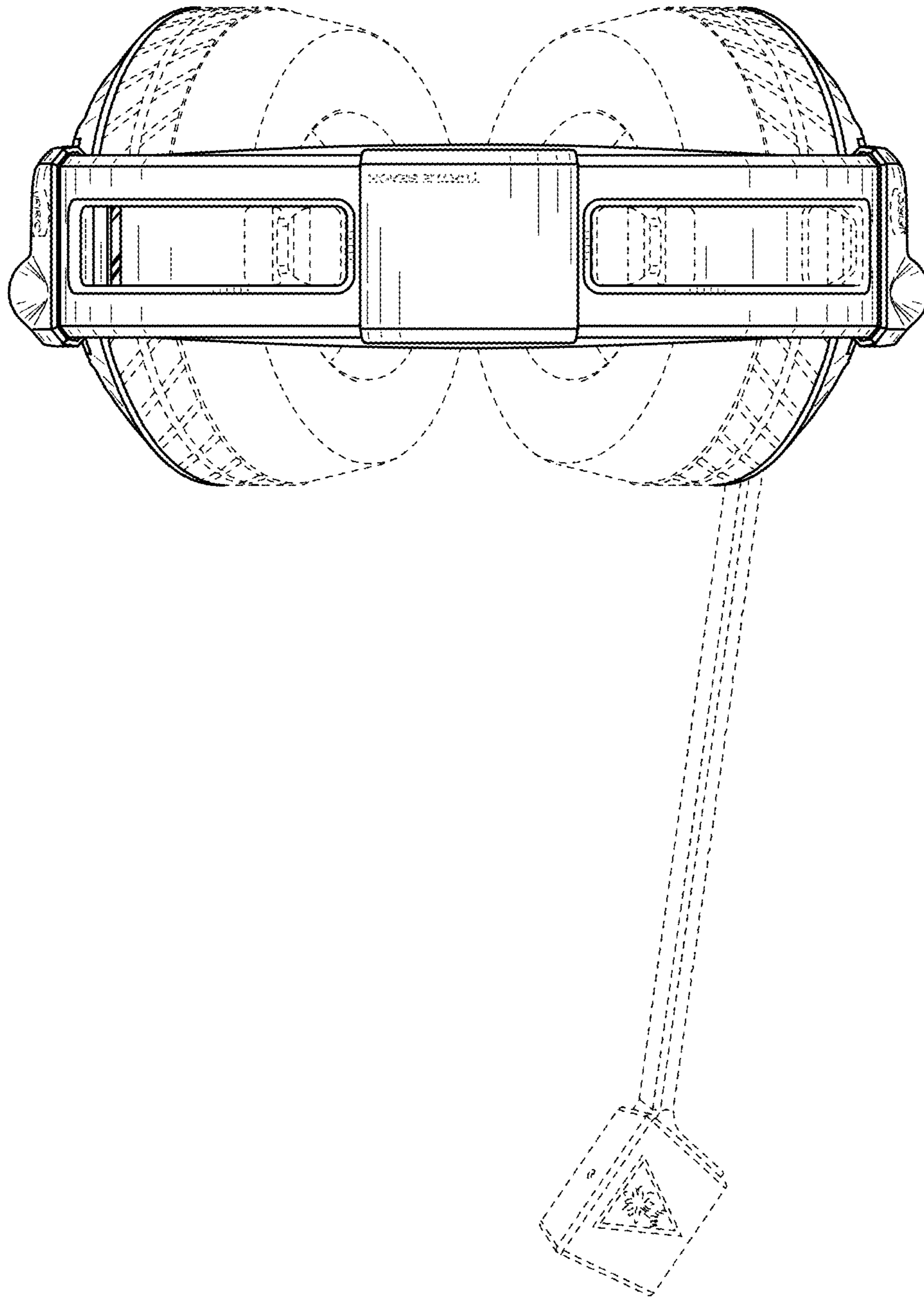


FIG. 6

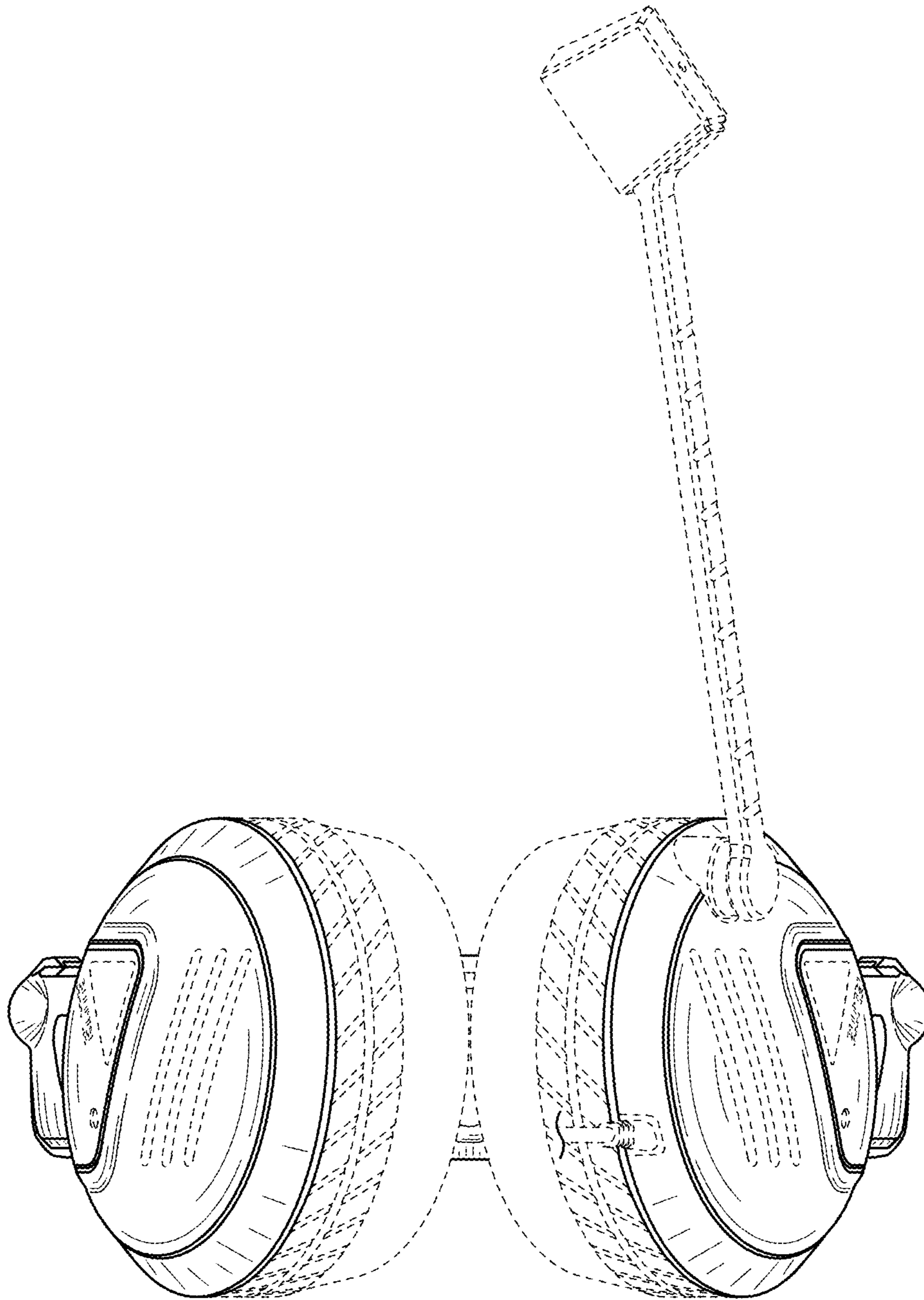


FIG. 7

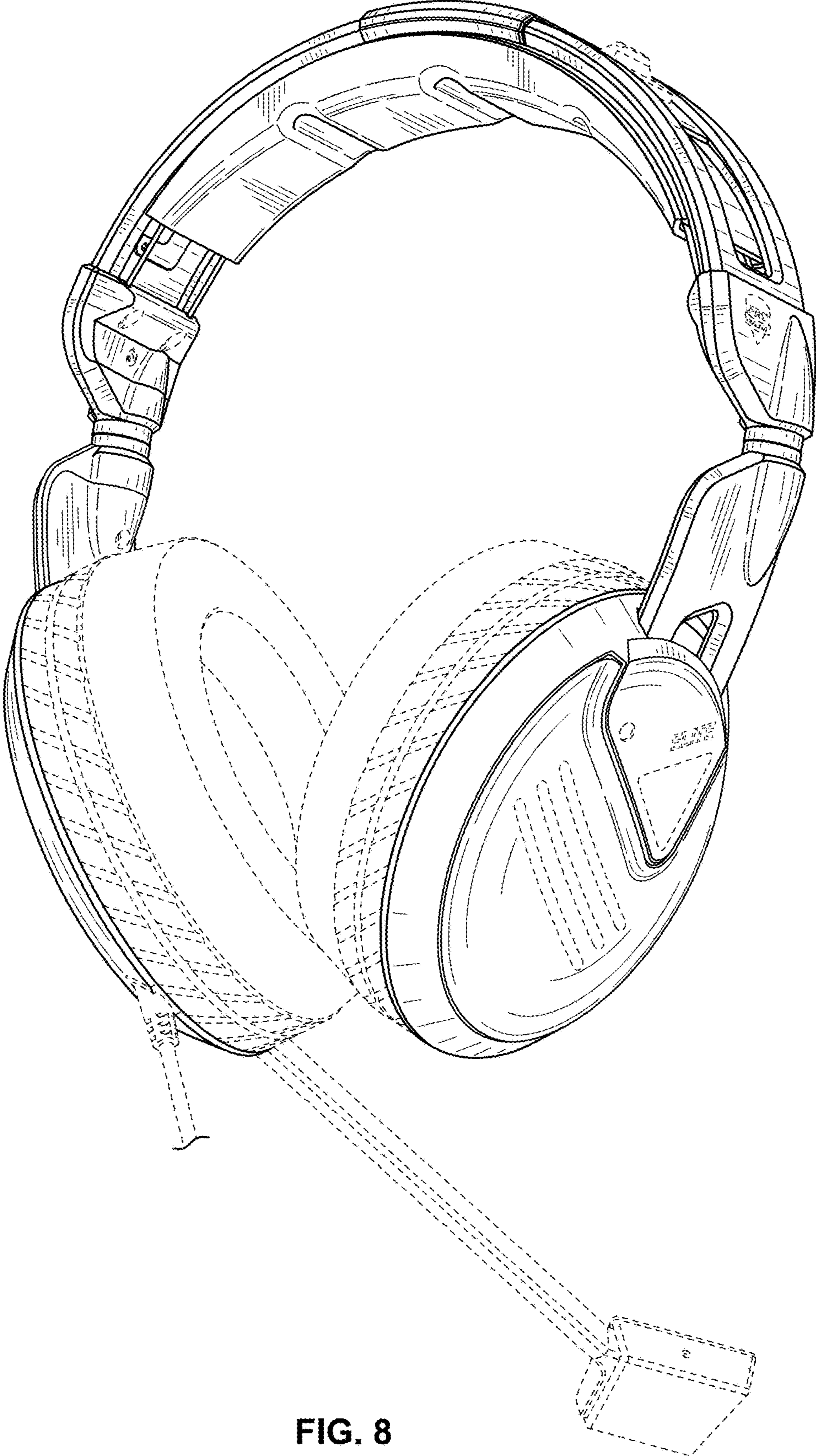


FIG. 8