



US00D788068S

(12) **United States Design Patent** (10) **Patent No.:** **US D788,068 S**
Pineau (45) **Date of Patent:** **** May 30, 2017**

- (54) **SPEAKER BOX**
- (71) Applicant: **FOCAL JMLAB**, La Talaudiere (FR)
- (72) Inventor: **Alain Pineau**, Vitry sur Seine (FR)
- (73) Assignee: **FOCAL JMLAB**, La Talaudiere (FR)
- (**) Term: **15 Years**
- (21) Appl. No.: **29/557,599**
- (22) Filed: **Mar. 10, 2016**
- (51) **LOC (10) Cl.** **14-01**
- (52) **U.S. Cl.**
USPC **D14/204**
- (58) **Field of Classification Search**
USPC D14/188, 204, 209.1, 210–215, 348, 349,
D14/352, 498–505; 181/143, 144, 148,
181/153, 157, 198, 199; 369/6–12;
381/300–303, 361–364, 366, 386–388
CPC G06F 1/1688; G10K 9/22; H04N 5/64;
H04R 1/02; H04R 1/021; H04R 1/025;
H04R 1/026; H04R 1/028; H04R 1/403;
H04R 1/2803; H04R 1/2834; H04R 5/02;
H04R 9/06; H04R 19/013; H04R
2201/021; H04R 2400/00; H04R 2499/11;
H05K 5/00; H05K 5/0086
See application file for complete search history.

D624,047 S * 9/2010 Kim D14/215
 D645,453 S * 9/2011 Kim D14/215
 D657,777 S * 4/2012 Jursch D14/215

OTHER PUBLICATIONS

Grace Digital GDI-BTSP201 Bluetooth Speaker, announced Sep. 2013, [online], site visited Nov. 10, 2016. Available from Internet, <URL: <http://www.benchmarkreviews.com>>.*

* cited by examiner

Primary Examiner — Ian Simmons

Assistant Examiner — Janice Lim

(74) *Attorney, Agent, or Firm* — Burr & Brown, PLLC

(57) **CLAIM**

The ornamental design for a speaker box, as shown and described.

DESCRIPTION

FIG. 1 is a front perspective view of embodiment one, of a speaker box, showing my new design;
 FIG. 2 is a front view thereof;
 FIG. 3 is a rear view thereof;
 FIG. 4 is a left side view thereof;
 FIG. 5 is a right side view thereof;
 FIG. 6 is a top plan view thereof;
 FIG. 7 is a bottom plan view thereof;
 FIG. 8 is a front perspective view of embodiment two, of a speaker box, showing my new design;
 FIG. 9 is a front view thereof;
 FIG. 10 is a rear view thereof;
 FIG. 11 is a left side view thereof;
 FIG. 12 is a right side view thereof;
 FIG. 13 is a top plan view thereof; and,
 FIG. 14 is a bottom plan view thereof.
 The broken line portions show unclaimed subject matter only and form no part of the claimed design.

(56) **References Cited**

U.S. PATENT DOCUMENTS

- D460,965 S * 7/2002 O'Brien D14/349
- D522,505 S * 6/2006 Sun D14/349
- D550,646 S * 9/2007 Kaneko D14/168
- D577,004 S * 9/2008 Lim D14/211
- D587,239 S * 2/2009 Raisanen D14/188
- D602,909 S * 10/2009 Cho D14/214
- D604,732 S * 11/2009 Sun D14/349

1 Claim, 14 Drawing Sheets

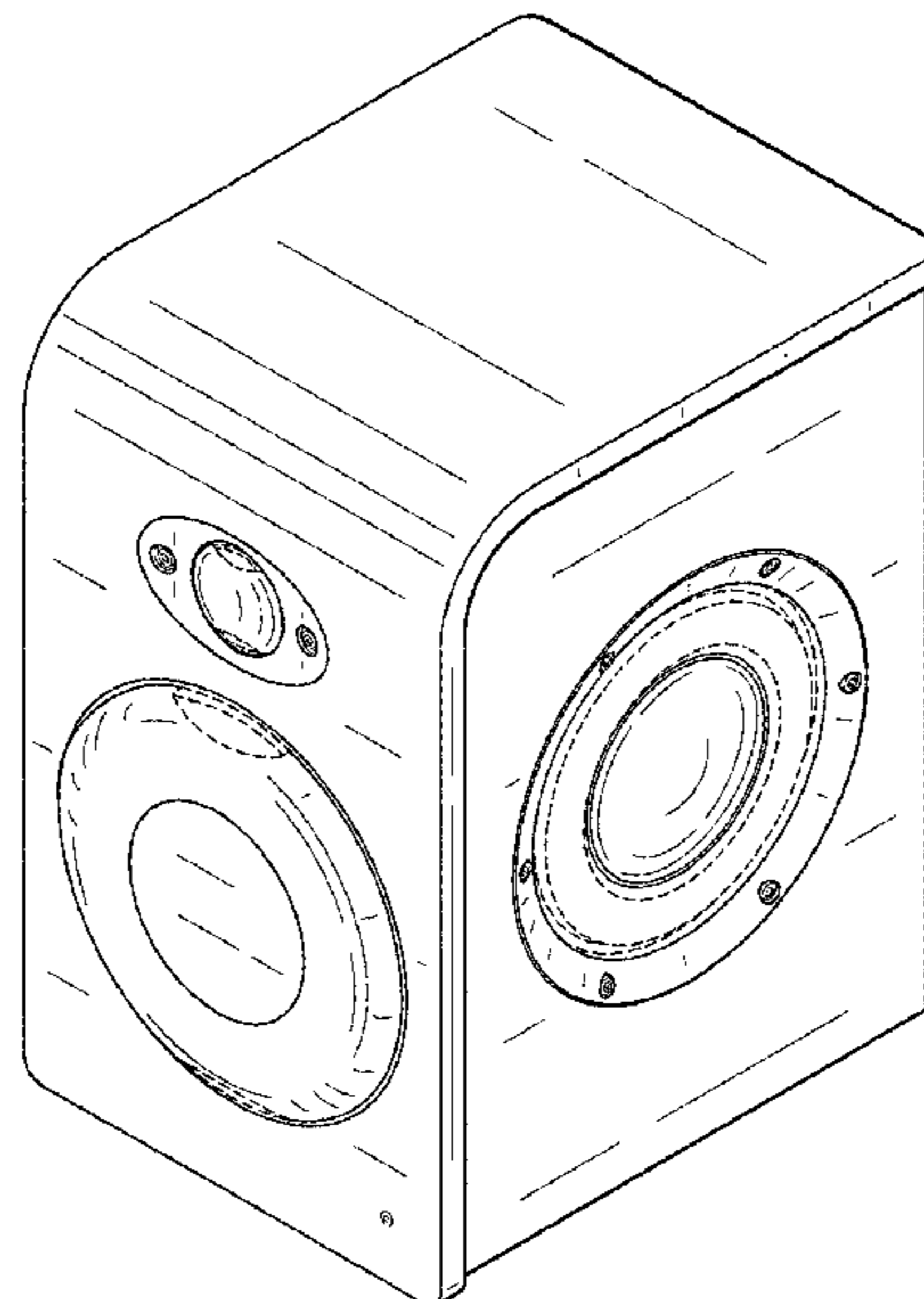


FIG. 1

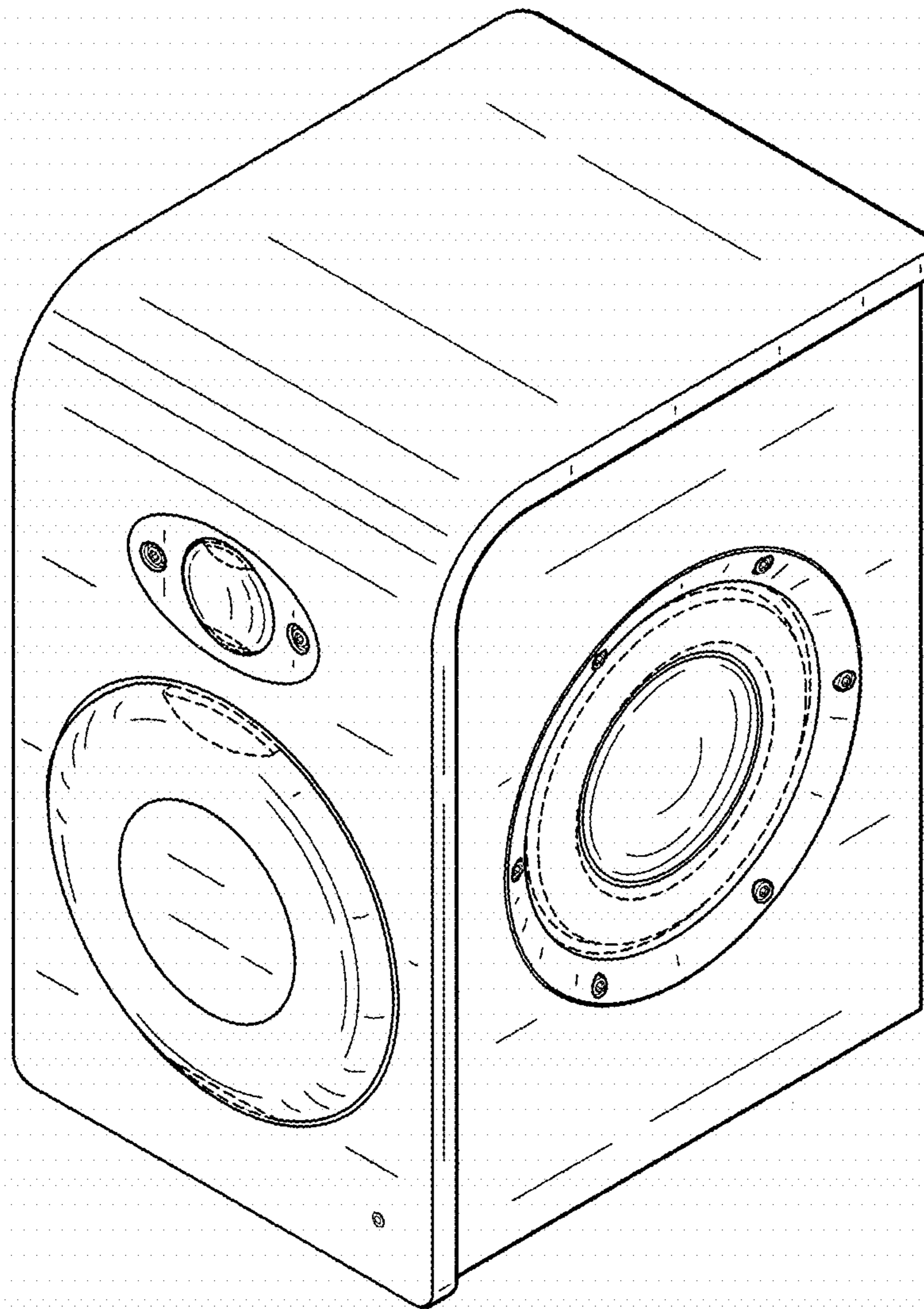


FIG. 2

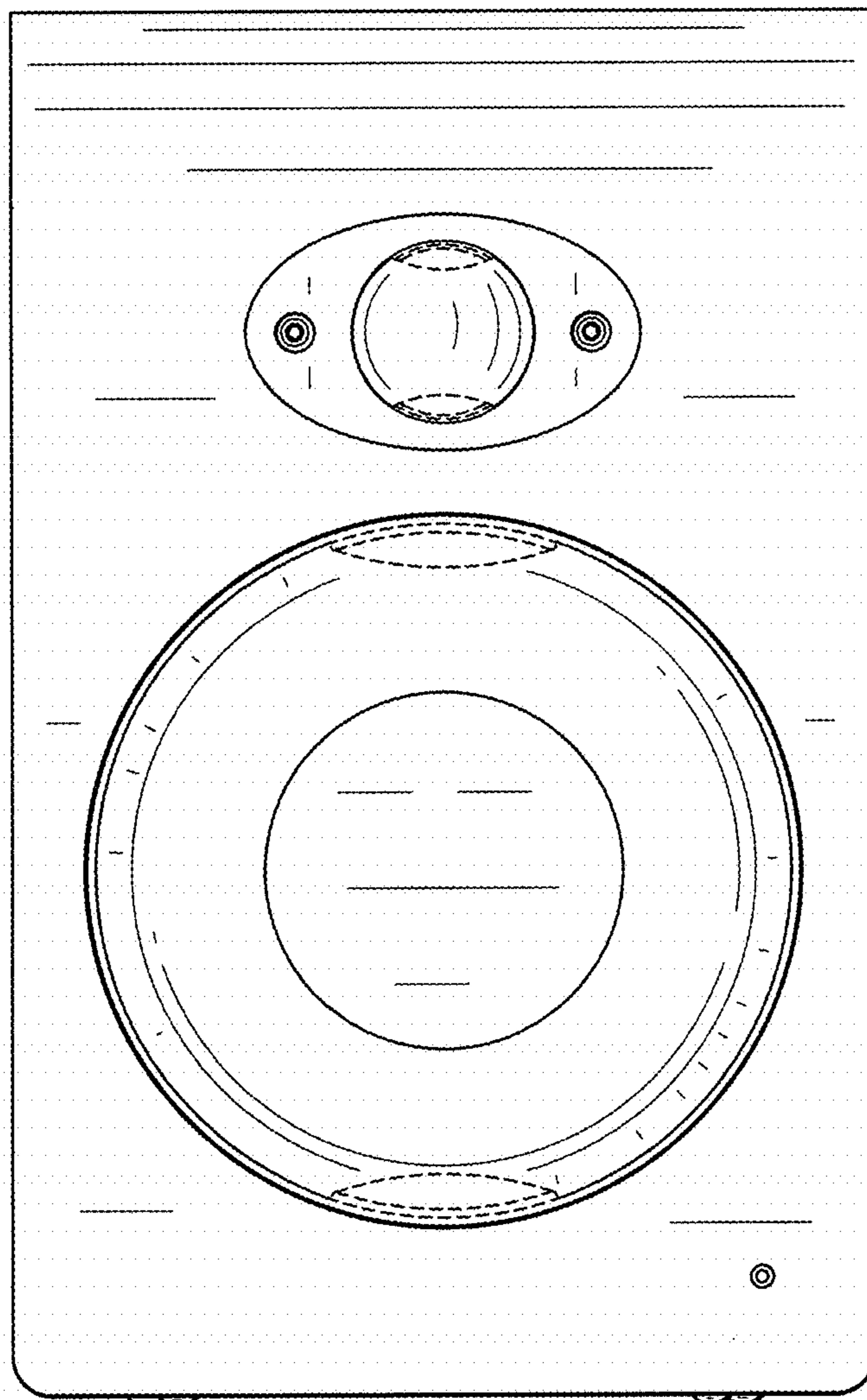


FIG. 3

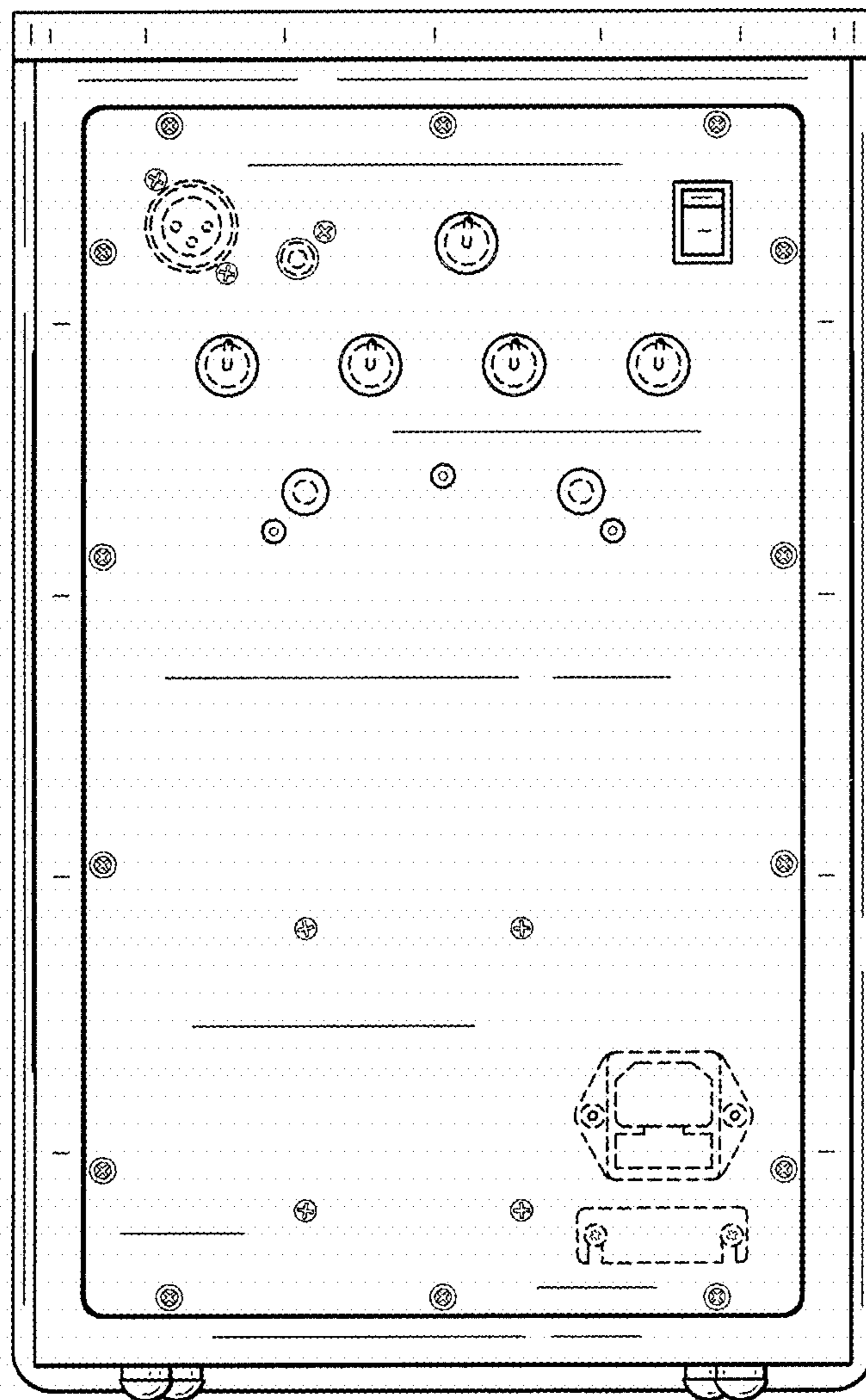


FIG. 4

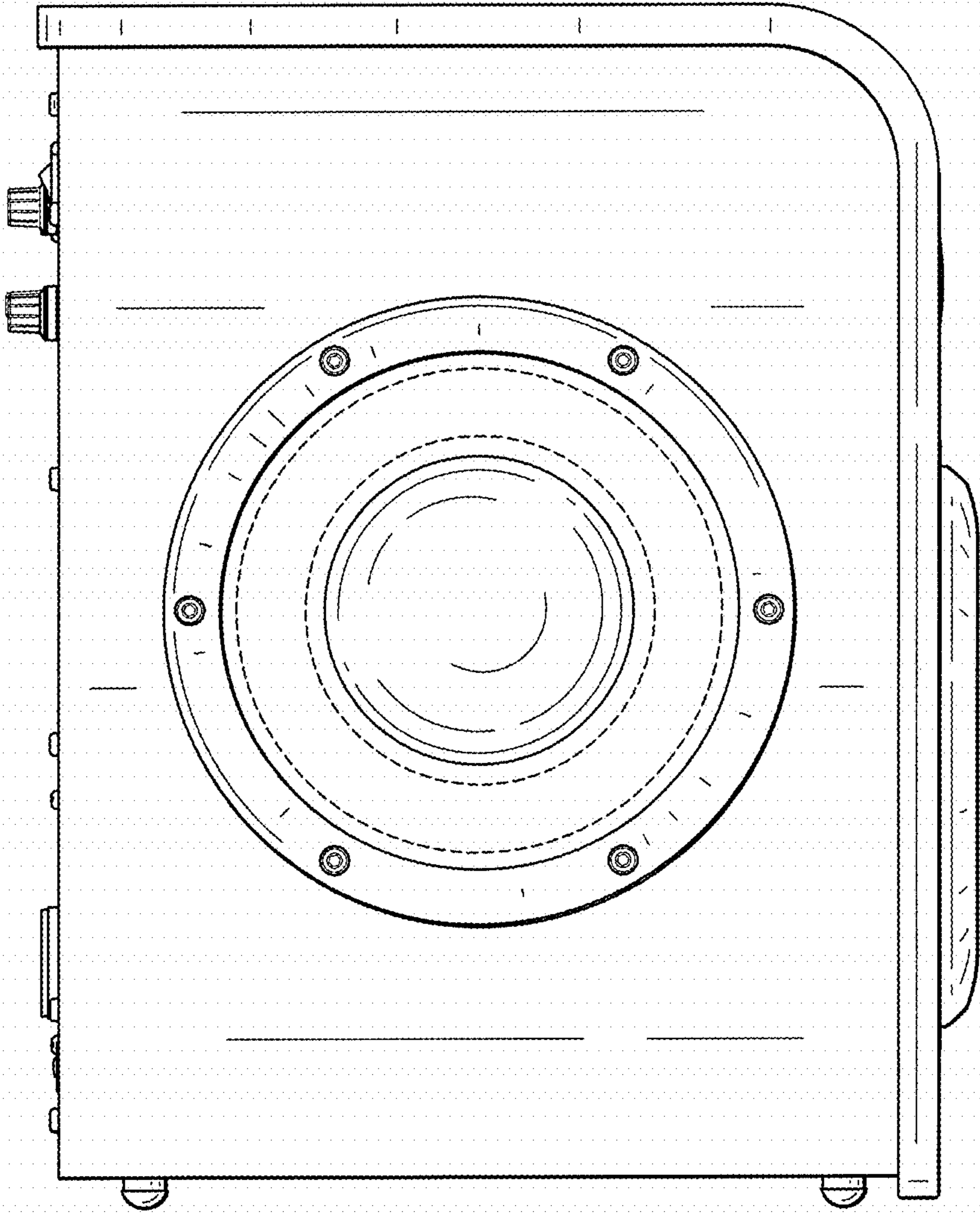


FIG. 5

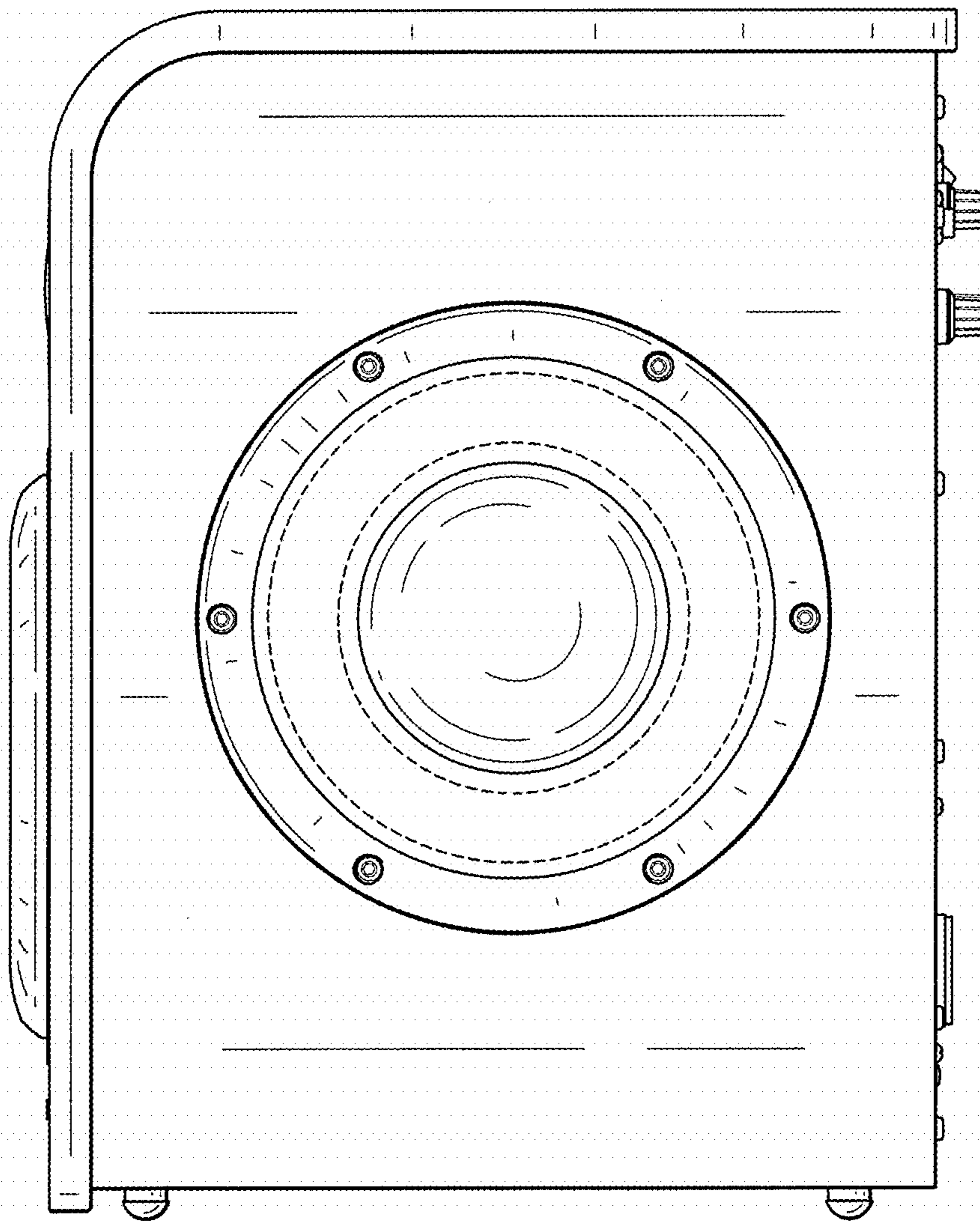


FIG. 6

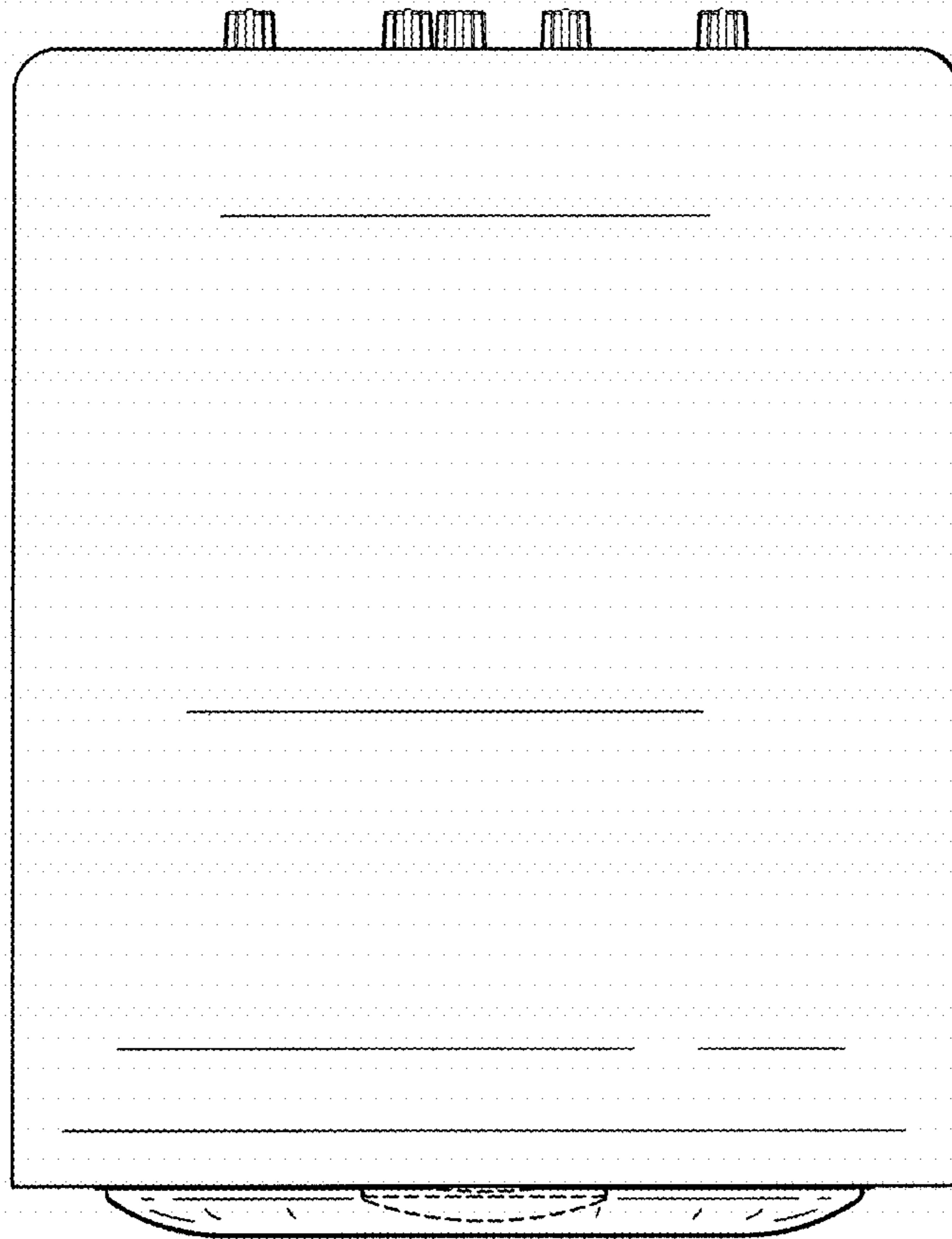


FIG. 7

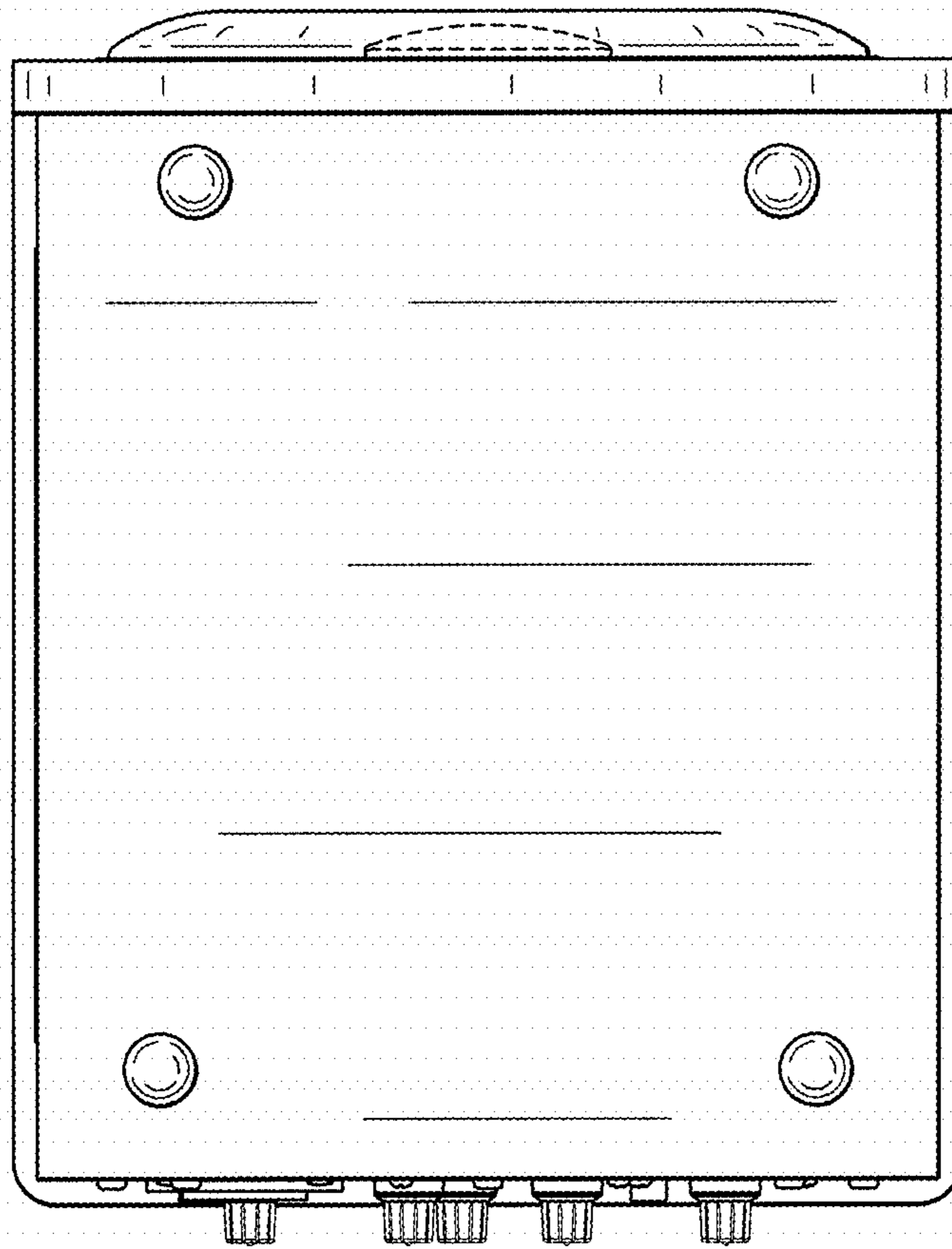


FIG. 8

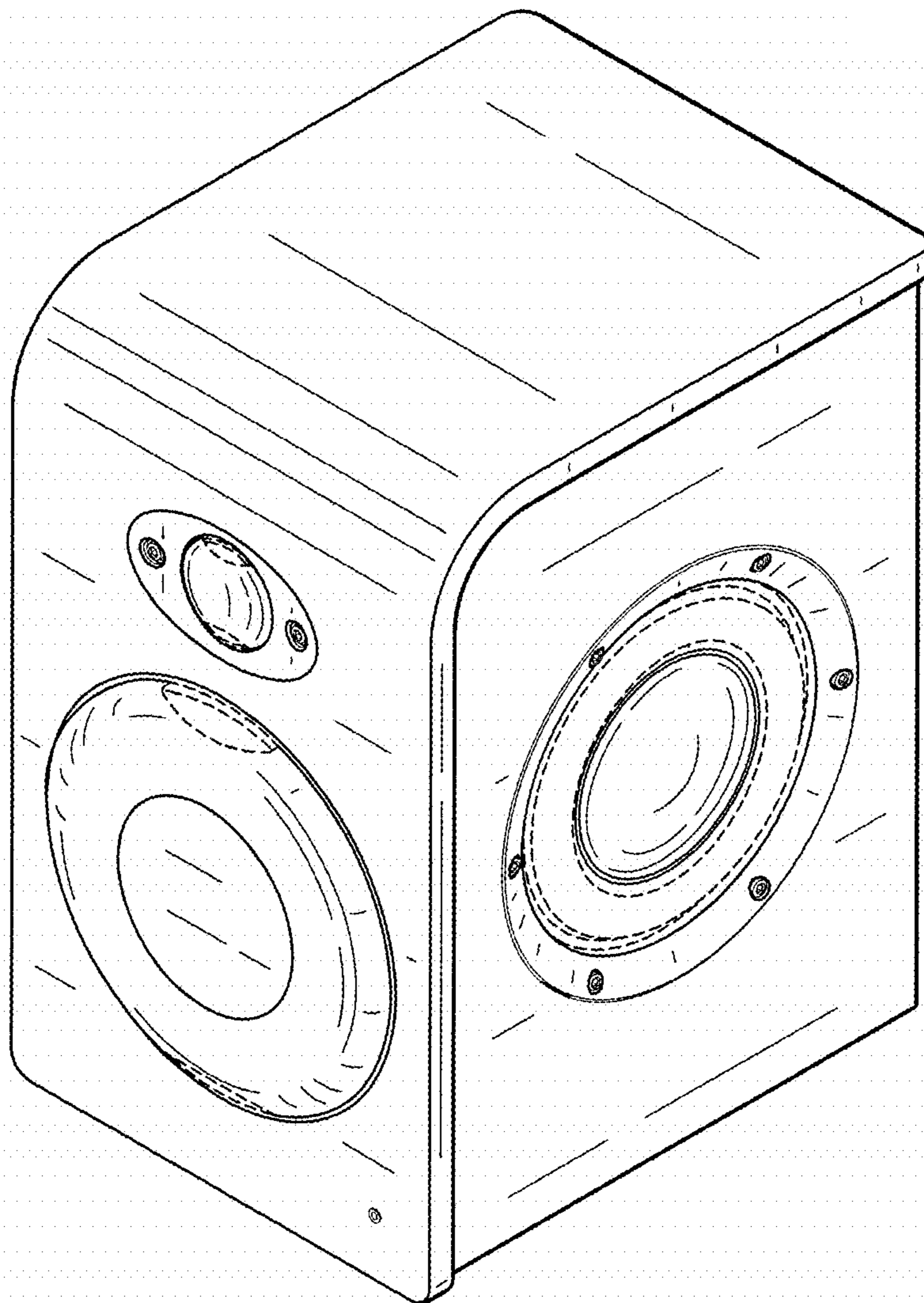


FIG. 9

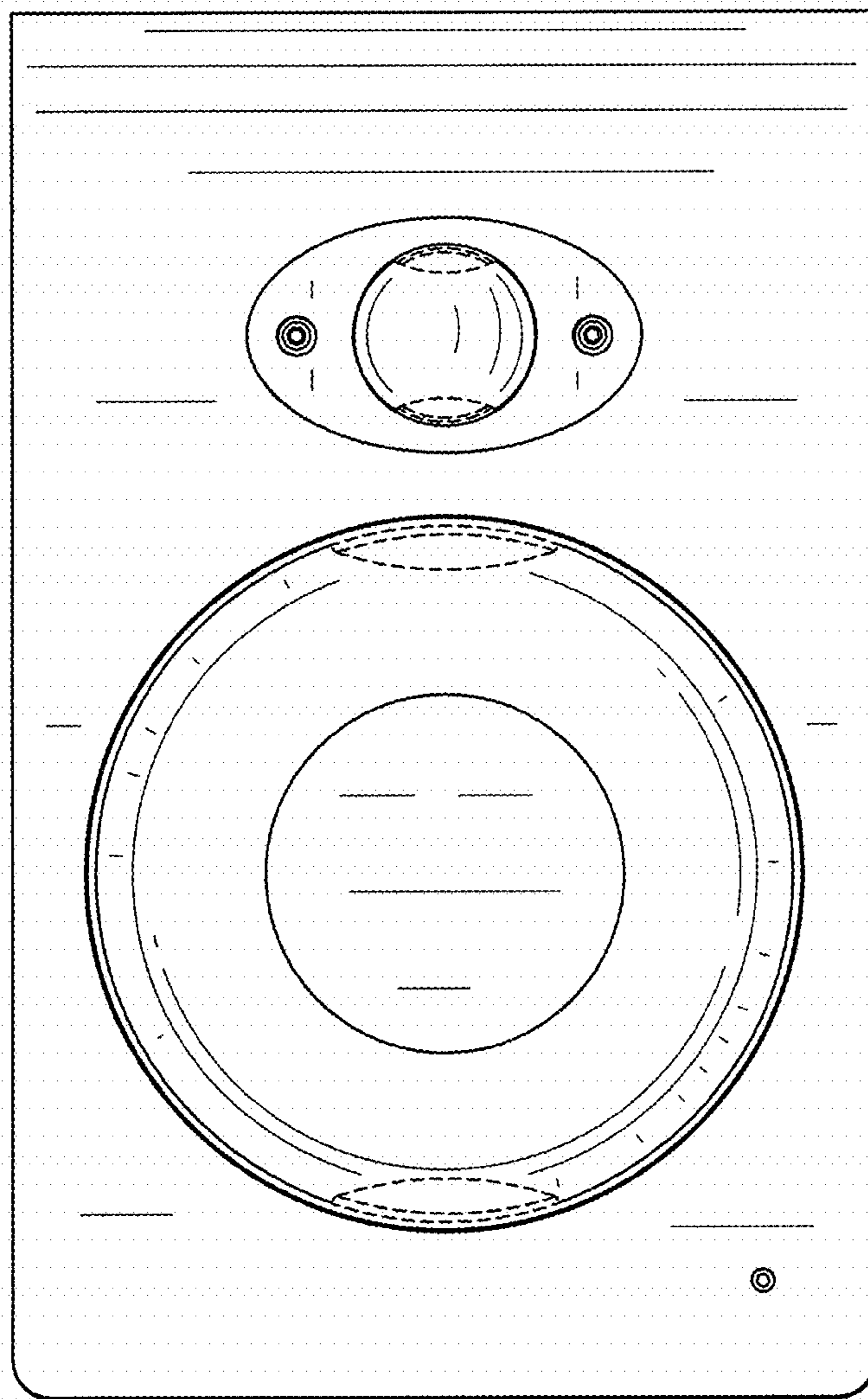


FIG. 10

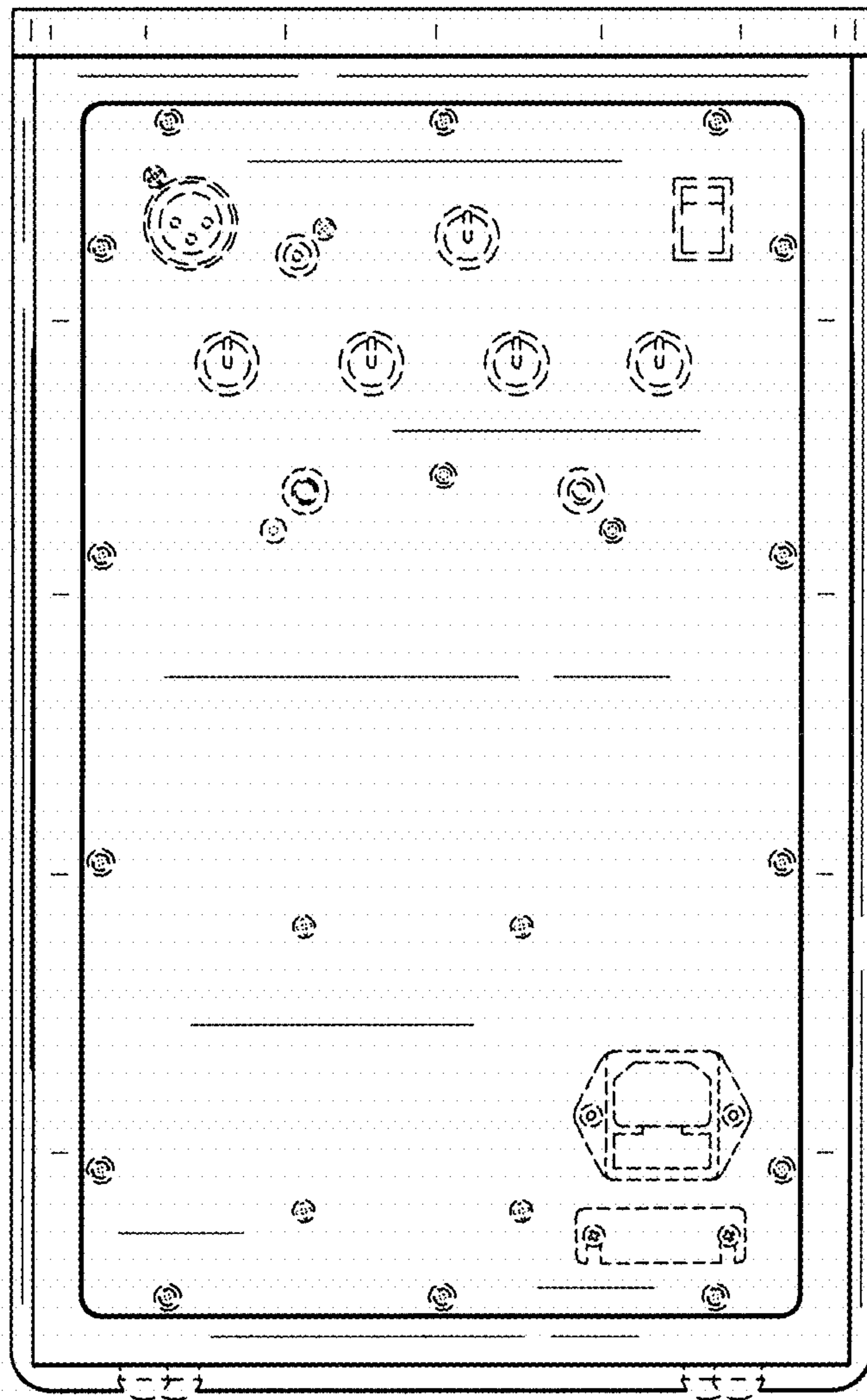


FIG. 11

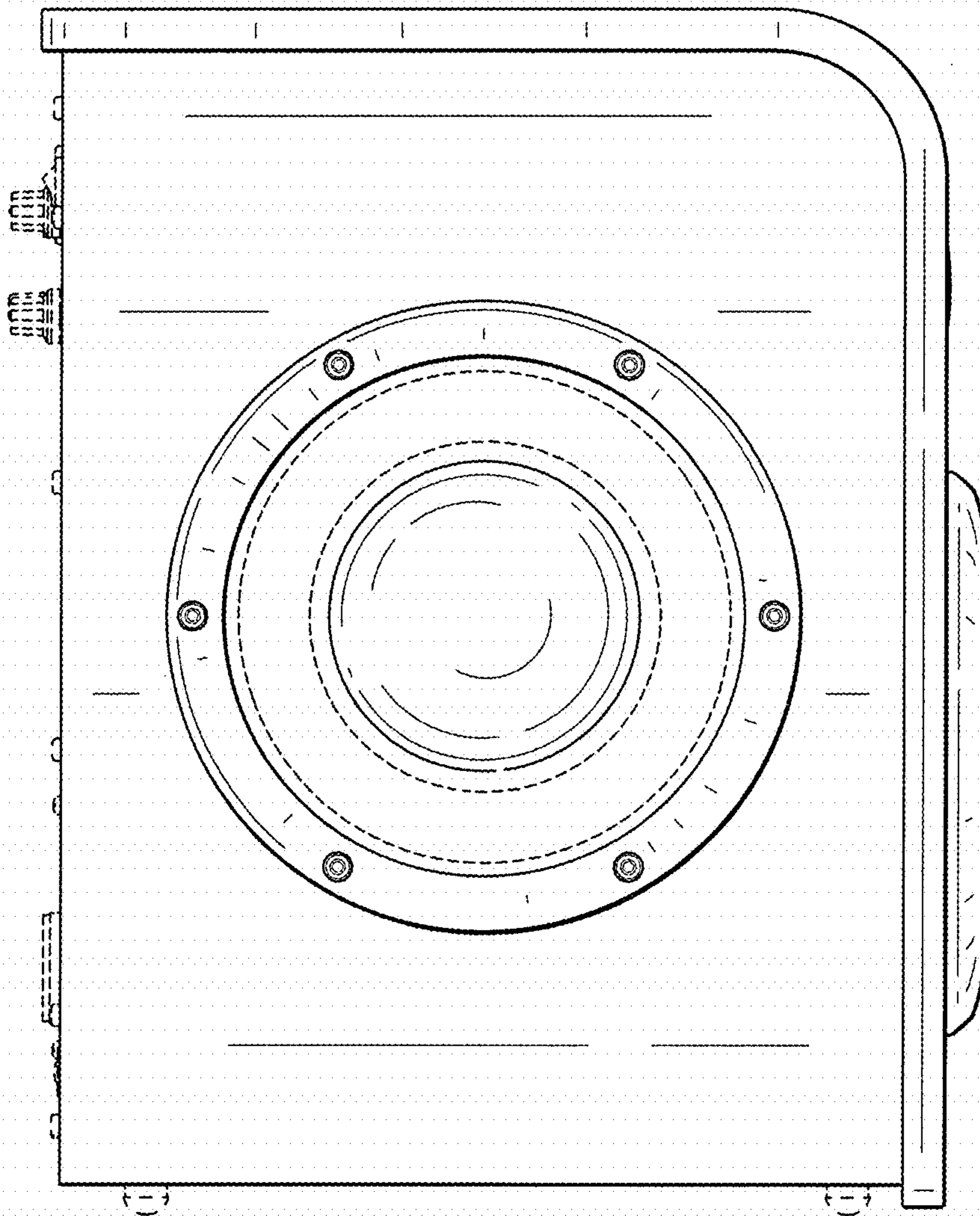


FIG. 12

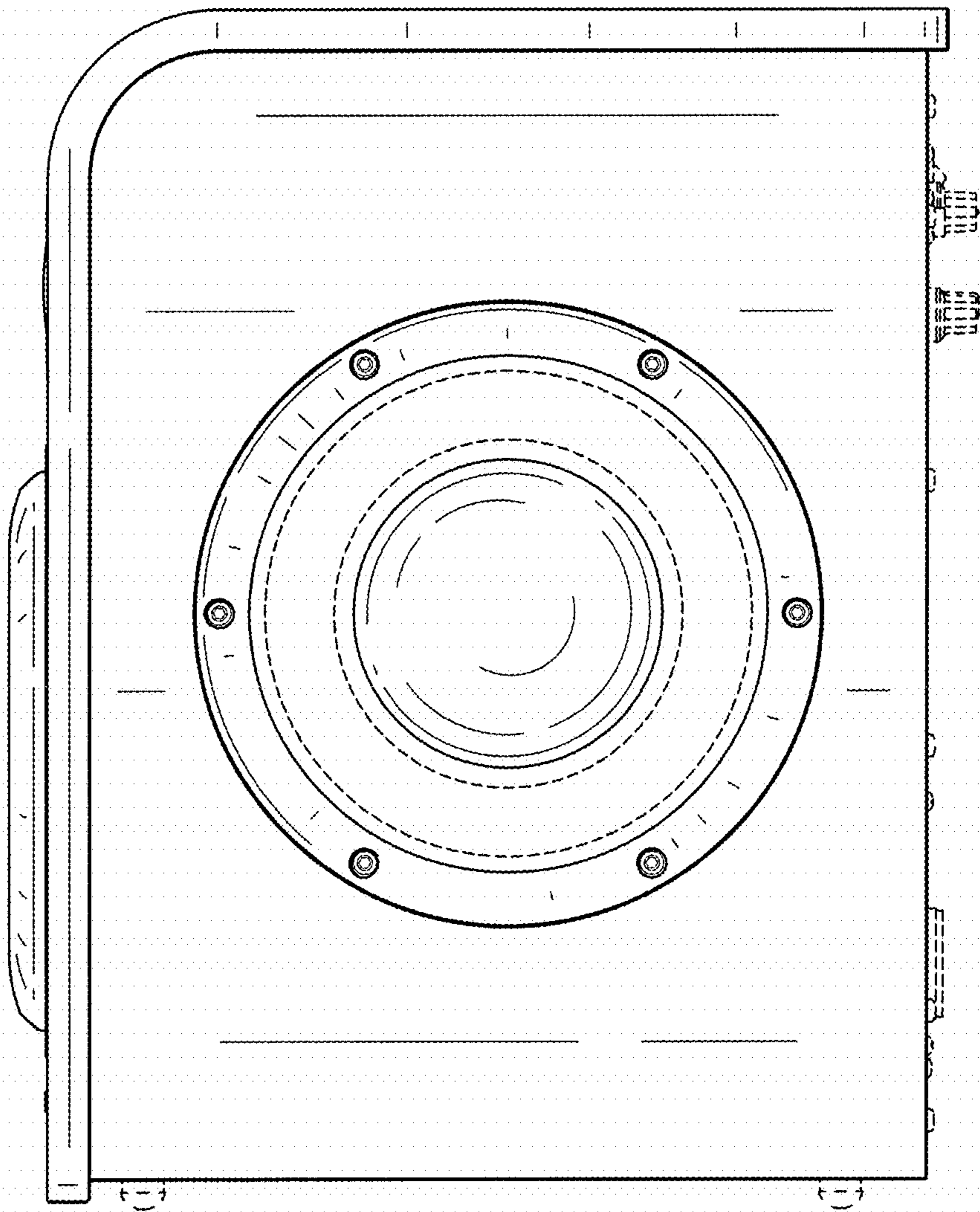


FIG. 13

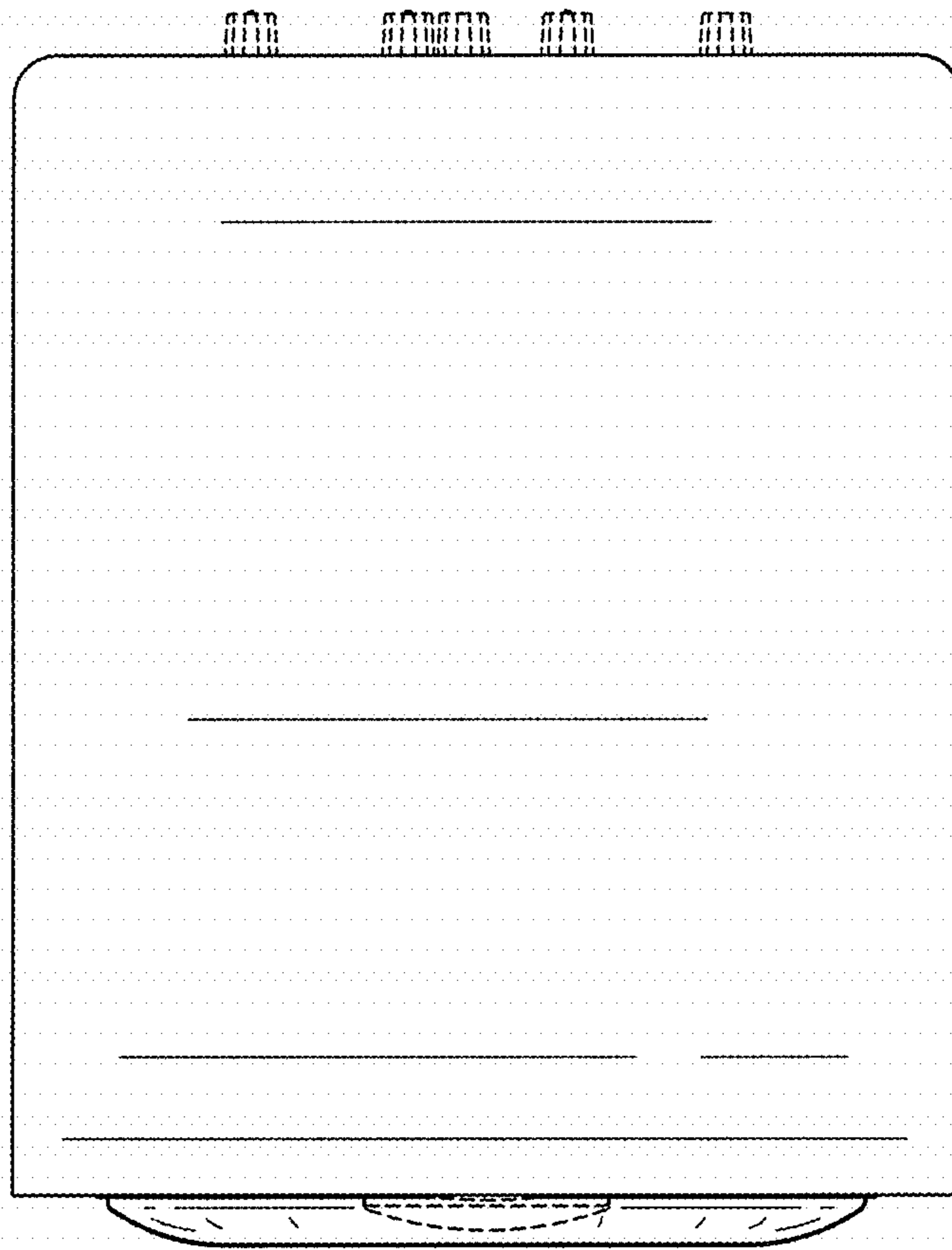


FIG. 14

