

US00D788065S

(12) **United States Design Patent**
Sabatino et al.

(10) **Patent No.:** **US D788,065 S**

(45) **Date of Patent:** **** May 30, 2017**

(54) **COMBINED RADIO AND POWER POLE WITH PIER**

(71) Applicant: **Sabre Industries Inc.**, Alvarado, TX (US)

(72) Inventors: **Anthony Sabatino**, Lenexa, KS (US);
Lance Norrell, Venus, TX (US)

(73) Assignee: **Sabre Industries Inc.**, Alvarado, TX (US)

(**) Term: **15 Years**

(21) Appl. No.: **29/552,912**

(22) Filed: **Jan. 27, 2016**

(51) **LOC (10) Cl.** **14-03**

(52) **U.S. Cl.**
USPC **D14/188**; D13/139.4; D14/213;
D14/211

(58) **Field of Classification Search**

USPC D14/140, 140.5, 140.6, 162, 167-169,
D14/175, 179, 188, 194-198, 210-217,
D14/257, 265, 299, 496; D13/139.2,
D13/139.4; D25/122, 126
CPC H04M 1/67; H04M 2250/12; H04N 7/15;
G06K 9/00013; G06K 9/00026; G06K
9/00919; G08B 13/1427; G08B 21/023;
E04H 12/08; E04H 12/12; E04H 12/2292
See application file for complete search history.

(56) **References Cited**

U.S. PATENT DOCUMENTS

- 1,521,285 A * 12/1924 Erickson E04H 12/2292
52/170
- 1,579,965 A * 4/1926 Stobie E04H 12/08
52/834
- D326,656 S * 6/1992 Koza D14/207
- D517,483 S * 3/2006 Nipke D13/139.2

- D522,492 S * 6/2006 Carbone D14/211
- D568,292 S * 5/2008 Tsuge D14/211
- D636,379 S * 4/2011 Kim D14/211
- D659,120 S * 5/2012 Kim D14/211
- D704,643 S * 5/2014 Udagawa D13/139.4
- D729,777 S * 5/2015 Ono D14/224
- D737,800 S * 9/2015 Aleksandrov D14/210
- 2016/0215518 A1 * 7/2016 Villman E04H 12/12

* cited by examiner

Primary Examiner — Keli L Hill

(74) *Attorney, Agent, or Firm* — Ryan T. Grace; Advent, LLP

(57) **CLAIM**

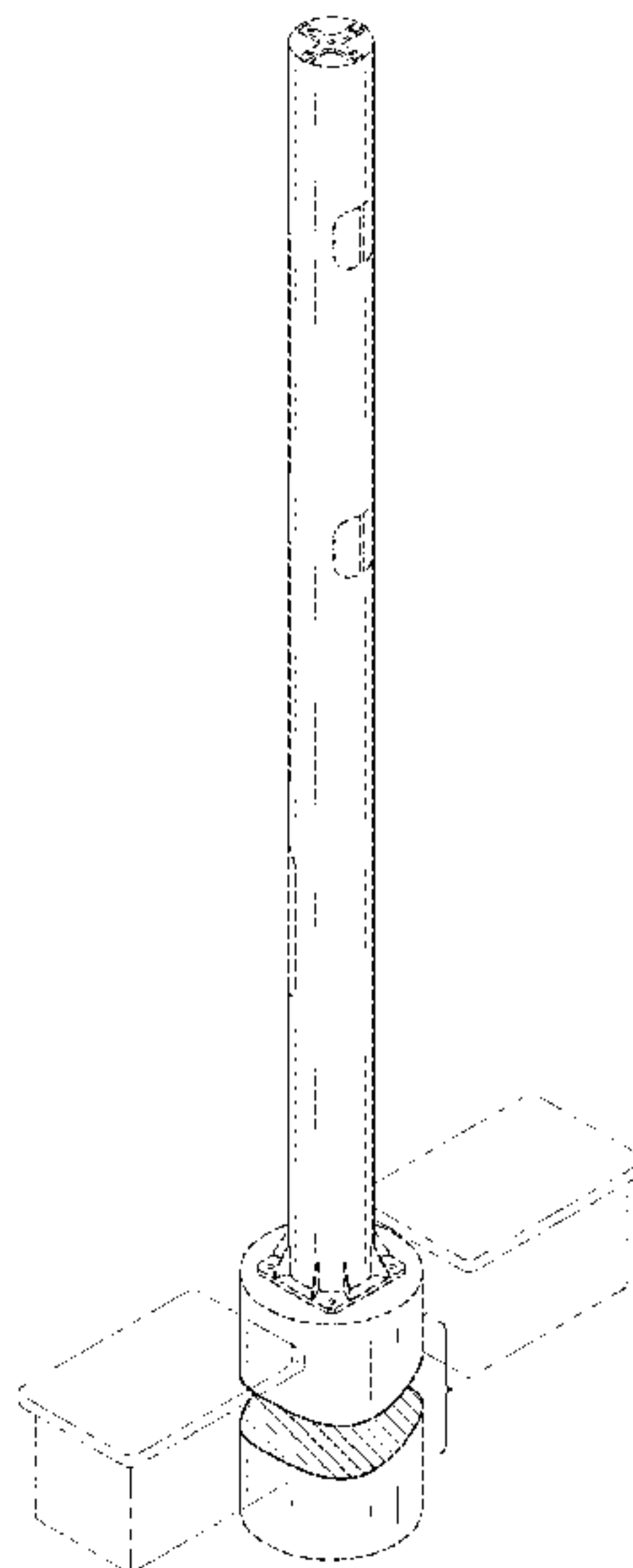
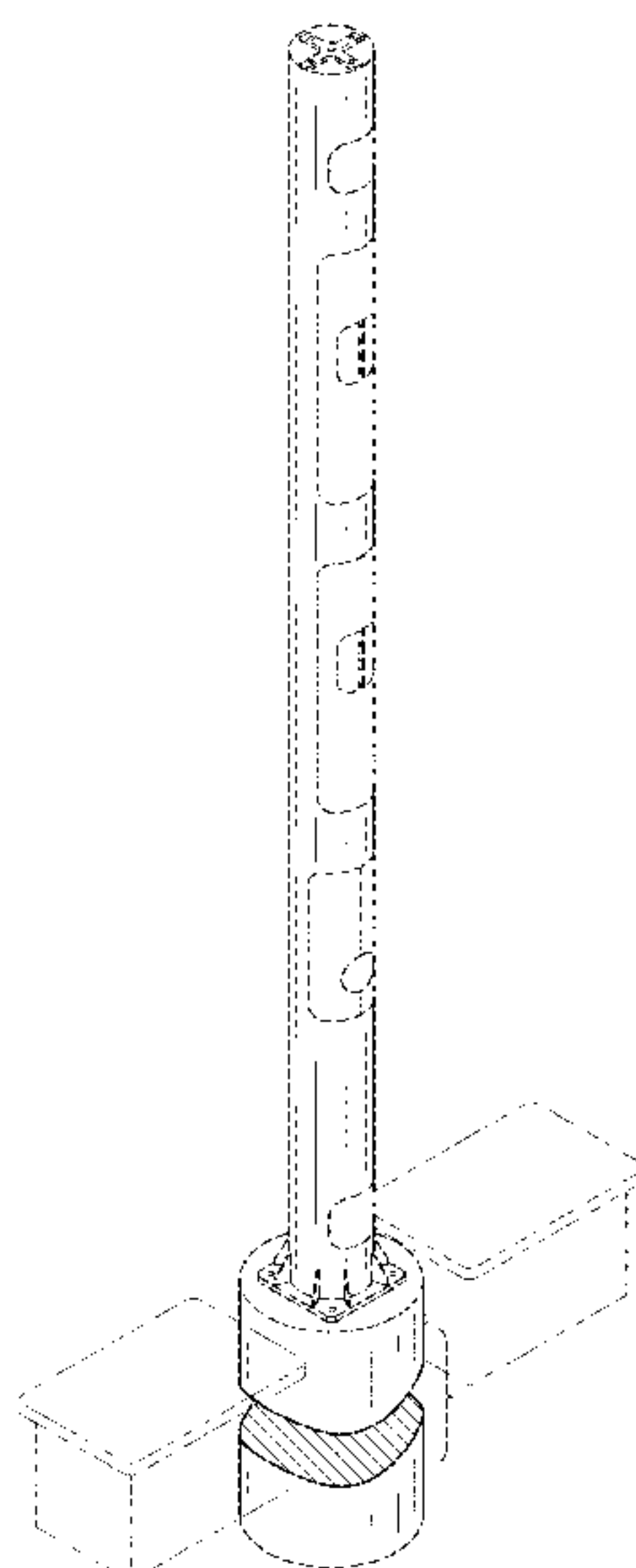
The ornamental design for a combined radio and power pole with pier, as shown and described.

DESCRIPTION

FIG. 1 is a front elevation view of a combined radio and power pole with pier, embodying my new design; FIG. 2 is a rear elevation view thereof; FIG. 3 is a left side elevation view thereof; FIG. 4 is a right side elevation view thereof; FIG. 5 is a top plan view thereof; FIG. 6 is a bottom plan view thereof; FIG. 7 is an isometric view thereof; and, FIG. 8 is another isometric view thereof.

The combined radio and power pole with pier is shown with symbolic break in its length in the FIGS. 1-4 and FIGS. 7-8 drawing views. It is understood that patentability is based only on those portions of the article that are shown in solid lines, and the appearance of any portion of the article between the break lines forms no part of the claimed design. Portions of FIGS. 1 through 8 are shown in broken and dash-dot-dot-dash lines illustrating portions of the article and environmental subject matter that form no part of the claimed design.

1 Claim, 7 Drawing Sheets



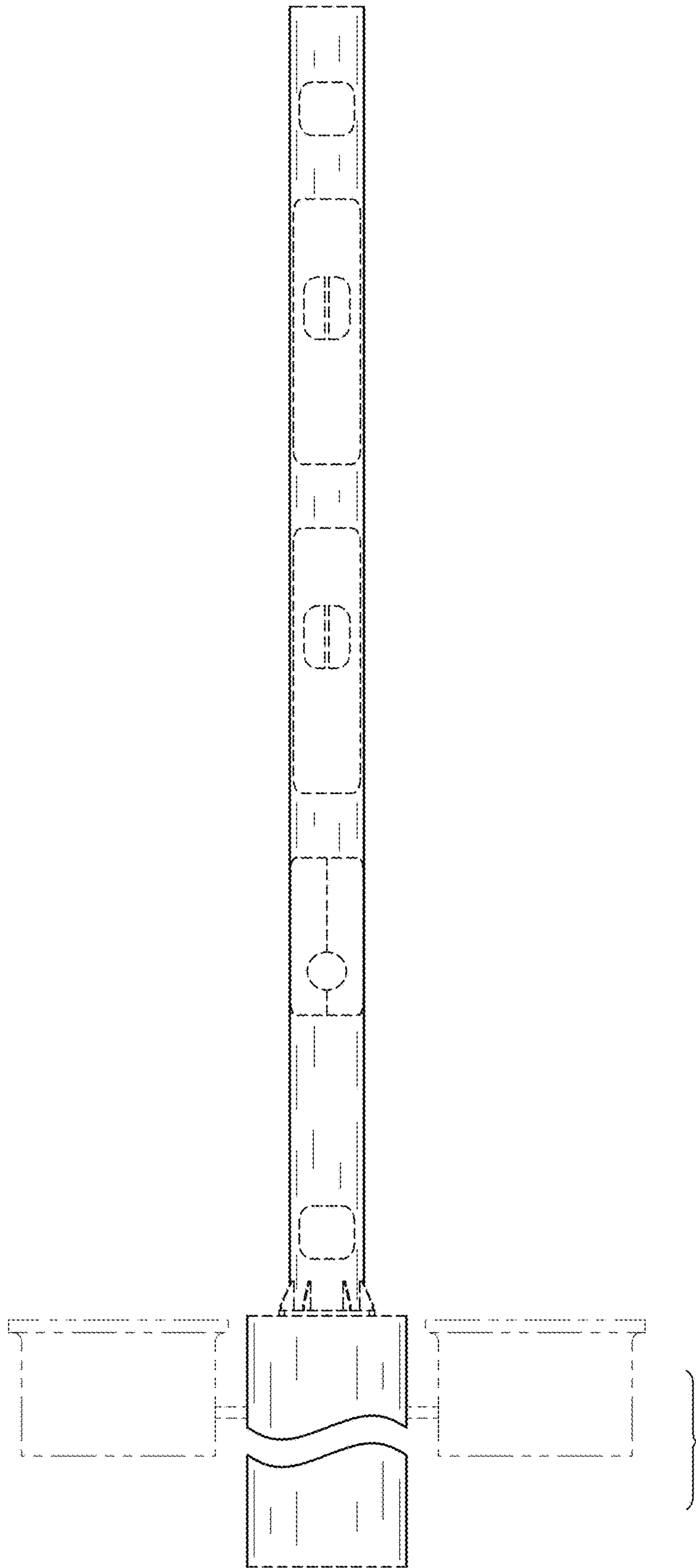


FIG. 1

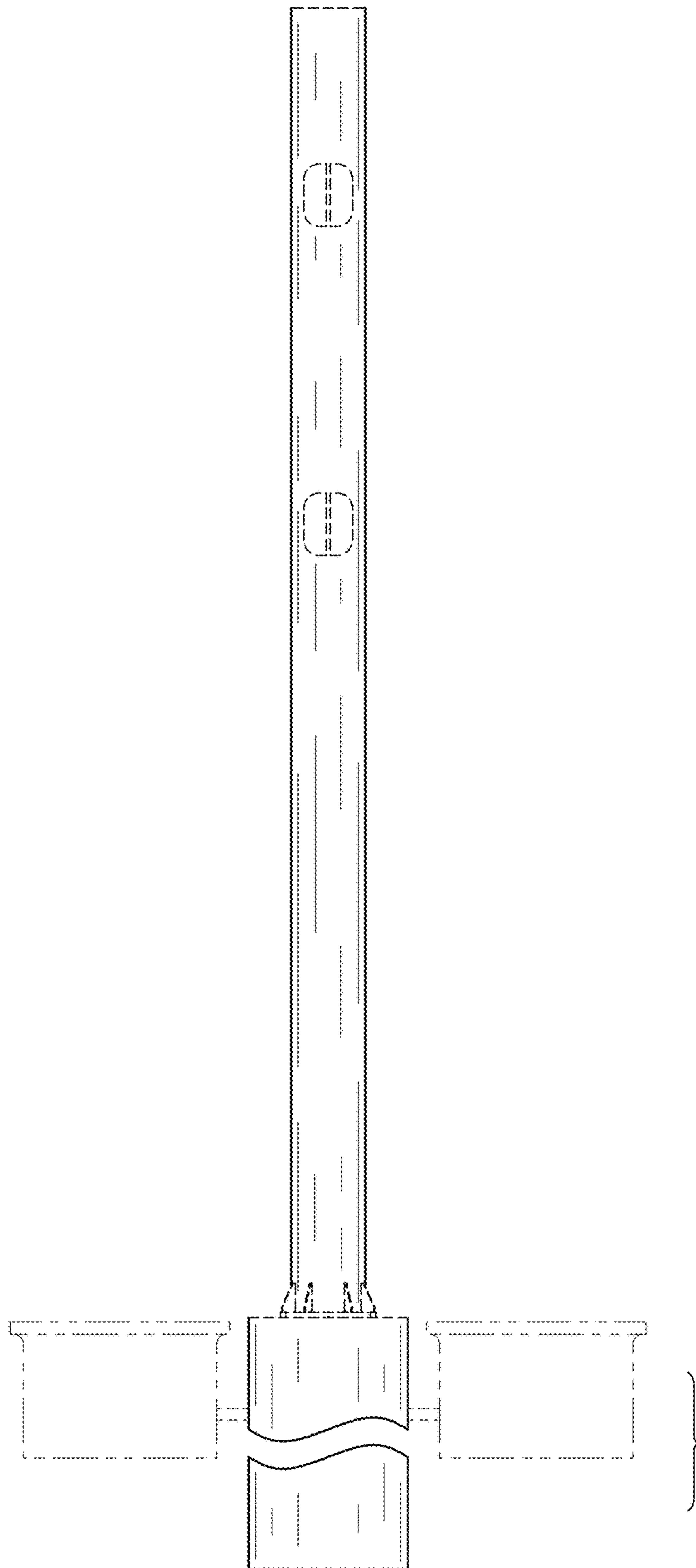


FIG. 2

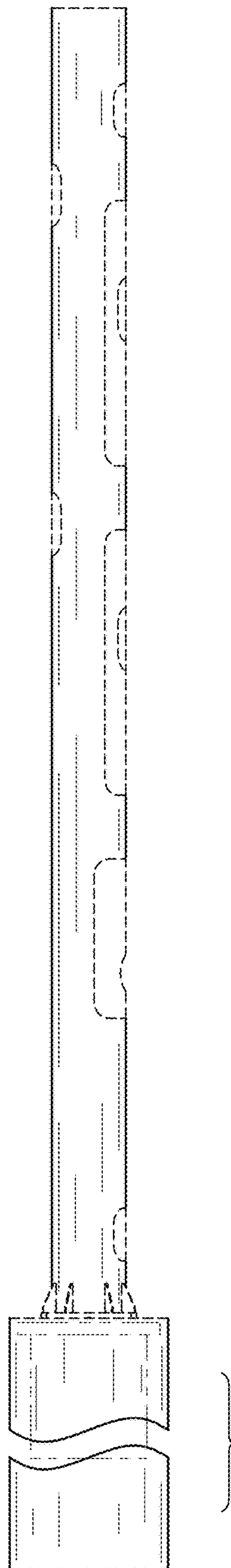


FIG. 3

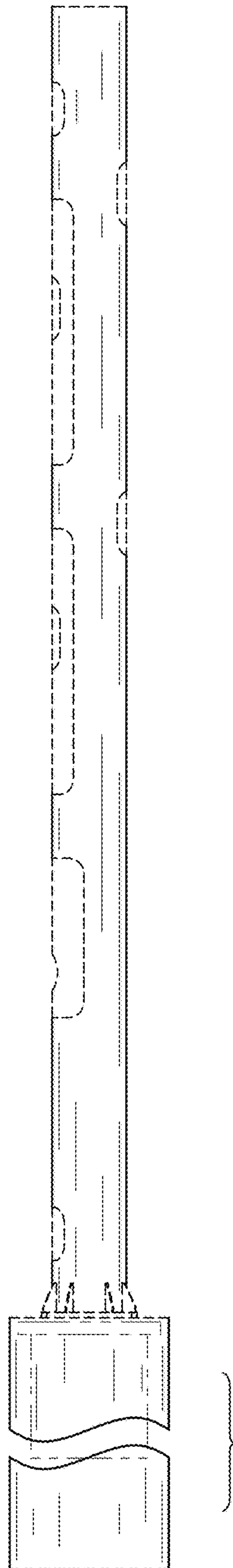


FIG. 4

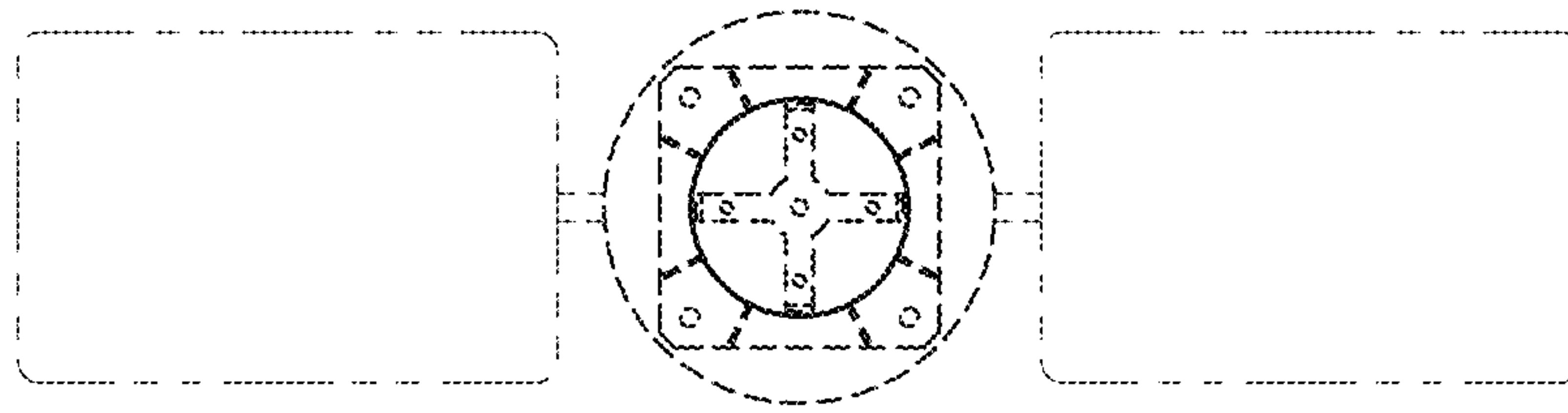


FIG. 5

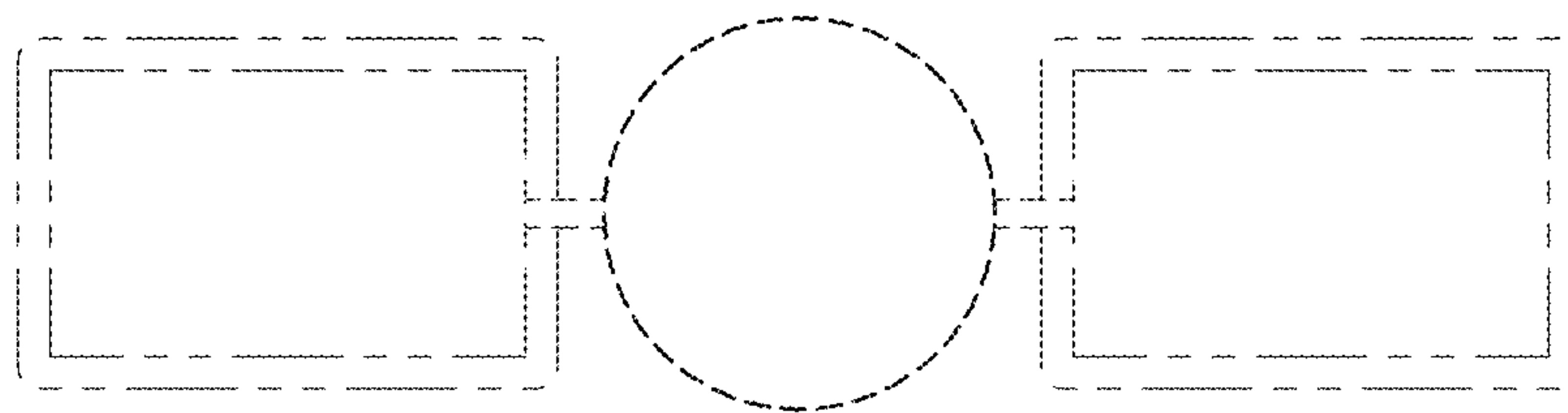


FIG. 6

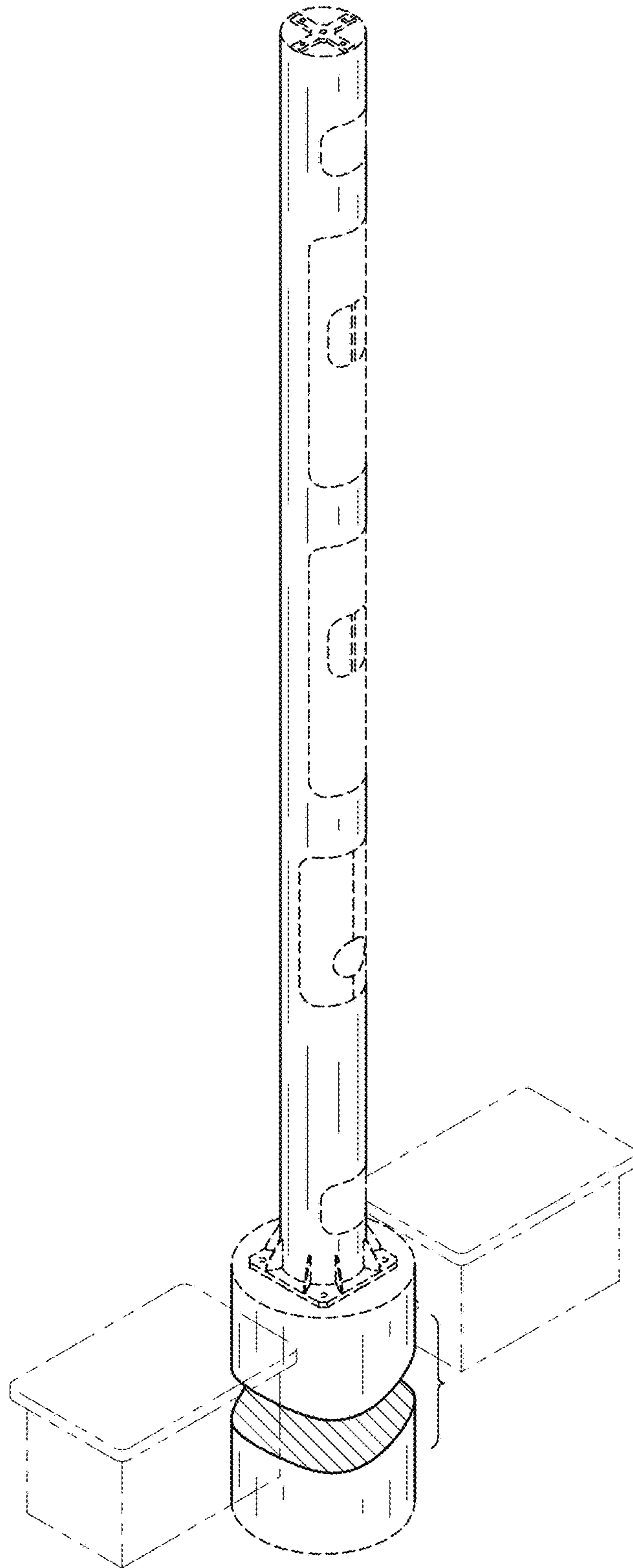


FIG. 7

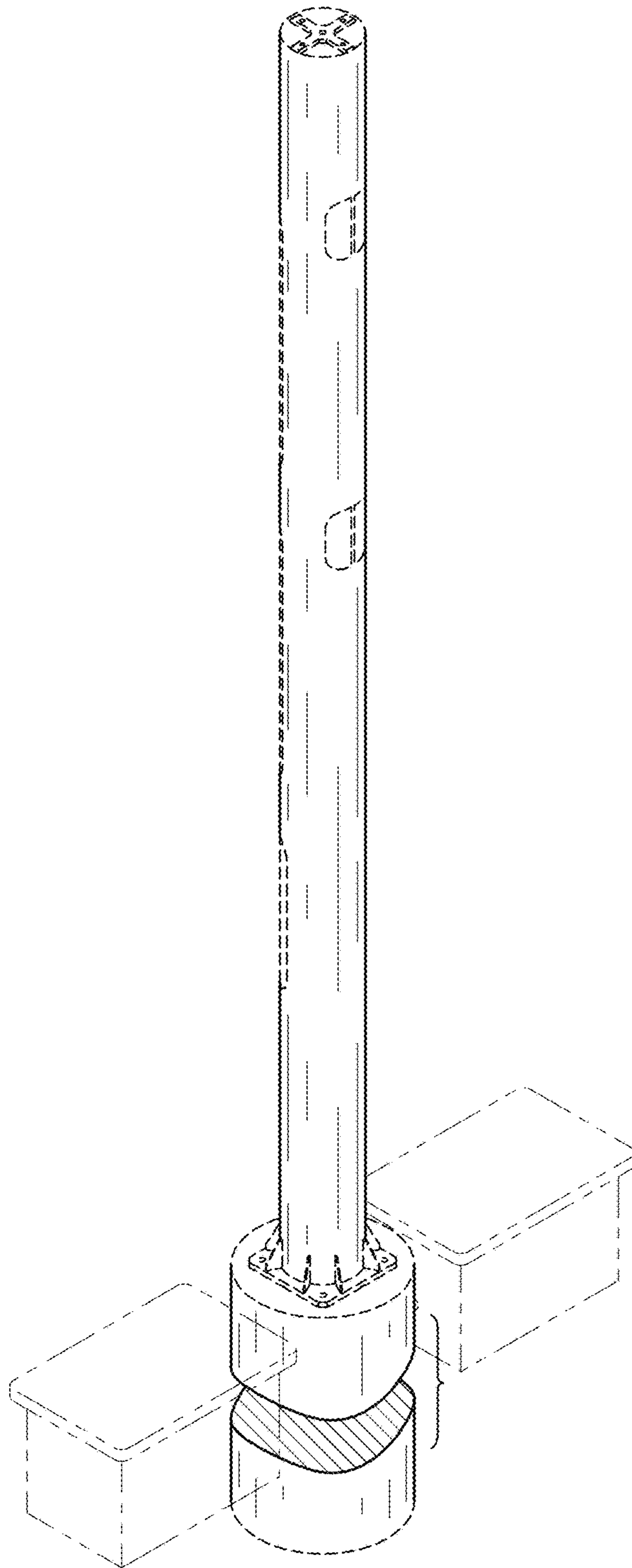


FIG. 8