



US00D788056S

(12) **United States Design Patent**  
**Choi et al.**

(10) **Patent No.:** **US D788,056 S**

(45) **Date of Patent:** **\*\* May 30, 2017**

(54) **PORTABLE ELECTRONIC DEVICE**

(71) Applicant: **Samsung Electronics Co., Ltd.**,  
Suwon-si (KR)

(72) Inventors: **Kwangha Choi**, Seoul (KR);  
**Junghyuck Im**, Yongin-si (KR); **Jinsoo Kim**,  
Yongin-si (KR)

(73) Assignee: **Samsung Electronics Co., Ltd.**,  
Suwon-si (KR)

(\*\*) Term: **14 Years**

(21) Appl. No.: **29/513,455**

(22) Filed: **Dec. 31, 2014**

(30) **Foreign Application Priority Data**

Aug. 29, 2014 (KR) ..... 30-2014-0042391

(51) **LOC (10) Cl.** ..... **14-03**

(52) **U.S. Cl.**  
USPC ..... **D14/138 AA**

(58) **Field of Classification Search**  
USPC ..... D13/168; D14/138 G, 138 R, 138 AD,  
D14/203.1, 203.3, 203.5, 203.6, 203.7,  
D14/218, 248, 250, 315, 341, 342, 343,  
D14/344, 345, 346, 347, 420, 426, 496  
CPC ..... G06F 1/1626; H04M 1/72527; H04M  
1/0266; H04M 1/185; H04M 1/0214  
See application file for complete search history.

(56) **References Cited**

**U.S. PATENT DOCUMENTS**

D589,953 S \* 4/2009 Turner ..... D14/248  
D663,711 S \* 7/2012 Lee ..... D14/138 G  
D663,724 S \* 7/2012 Lee ..... D14/248  
D668,628 S \* 10/2012 Ha ..... D14/138 G  
D684,553 S \* 6/2013 Kim ..... D14/138 G  
D684,554 S \* 6/2013 Park ..... D14/138 G  
D697,890 S \* 1/2014 Choe ..... D14/138 G

D701,203 S \* 3/2014 Katori ..... D14/341  
D703,179 S \* 4/2014 Choe ..... D14/138 G  
D719,940 S \* 12/2014 Lee ..... D14/248  
D726,699 S \* 4/2015 Lee ..... D14/248

(Continued)

*Primary Examiner* — John Windmuller

*Assistant Examiner* — Benjamin Weeks

(74) *Attorney, Agent, or Firm* — NSIP Law

(57) **CLAIM**

We claim the ornamental design for a portable electronic device, as shown and described.

**DESCRIPTION**

FIG. 1 is a front perspective view of a portable electronic device showing our new design;

FIG. 2 is a front view thereof;

FIG. 3 is a rear view thereof;

FIG. 4 is a left-side view thereof;

FIG. 5 is a right-side view thereof;

FIG. 6 is a top view thereof;

FIG. 7 is a bottom view thereof;

FIG. 8 is a rear perspective view thereof;

FIG. 9 is an enlarged view of the encircled portion 9 in FIG. 4;

FIG. 10 is an enlarged view of the encircled portion 10 in FIG. 4;

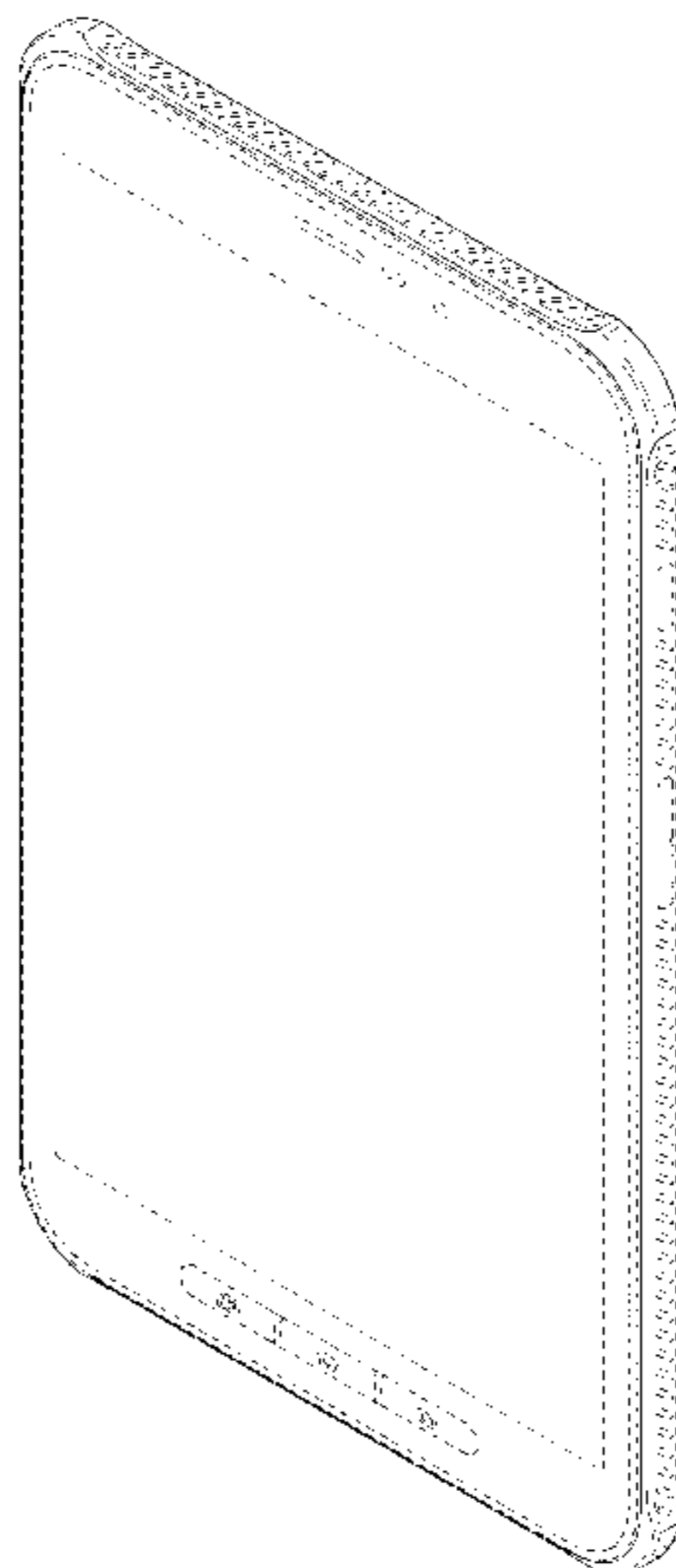
FIG. 11 is an enlarged view of the encircled portion 11 in FIG. 5; and,

FIG. 12 is an enlarged view of the encircled portion 12 in FIG. 5.

The short dash-dash broken lines in the figures represent unclaimed portions of the portable electronic device and form no part of the claimed design. The surfaces within the ovalar dash-dash broken lines shown in the drawing figures form no part of the claimed design.

In FIGS. 4 and 9, the dot-dash broken lines encircling portions of the claimed design for illustrating the enlargement form no part of the claimed design.

**1 Claim, 12 Drawing Sheets**



(56)

**References Cited**

U.S. PATENT DOCUMENTS

D726,700 S \* 4/2015 Lee ..... D14/248  
D738,361 S \* 9/2015 Lee ..... D14/248  
D741,830 S \* 10/2015 Lee ..... D14/138 G  
D749,567 S \* 2/2016 Lee ..... D14/203.4  
D757,704 S \* 5/2016 Roberts ..... D14/250  
D767,564 S \* 9/2016 Li ..... D14/341  
D770,408 S \* 11/2016 Lee ..... D14/138 G  
D770,431 S \* 11/2016 Lee ..... D14/248  
D770,432 S \* 11/2016 Lee ..... D14/248  
2012/0309473 A1 \* 12/2012 Choo ..... G06F 1/1656  
455/575.7

\* cited by examiner

FIG. 1

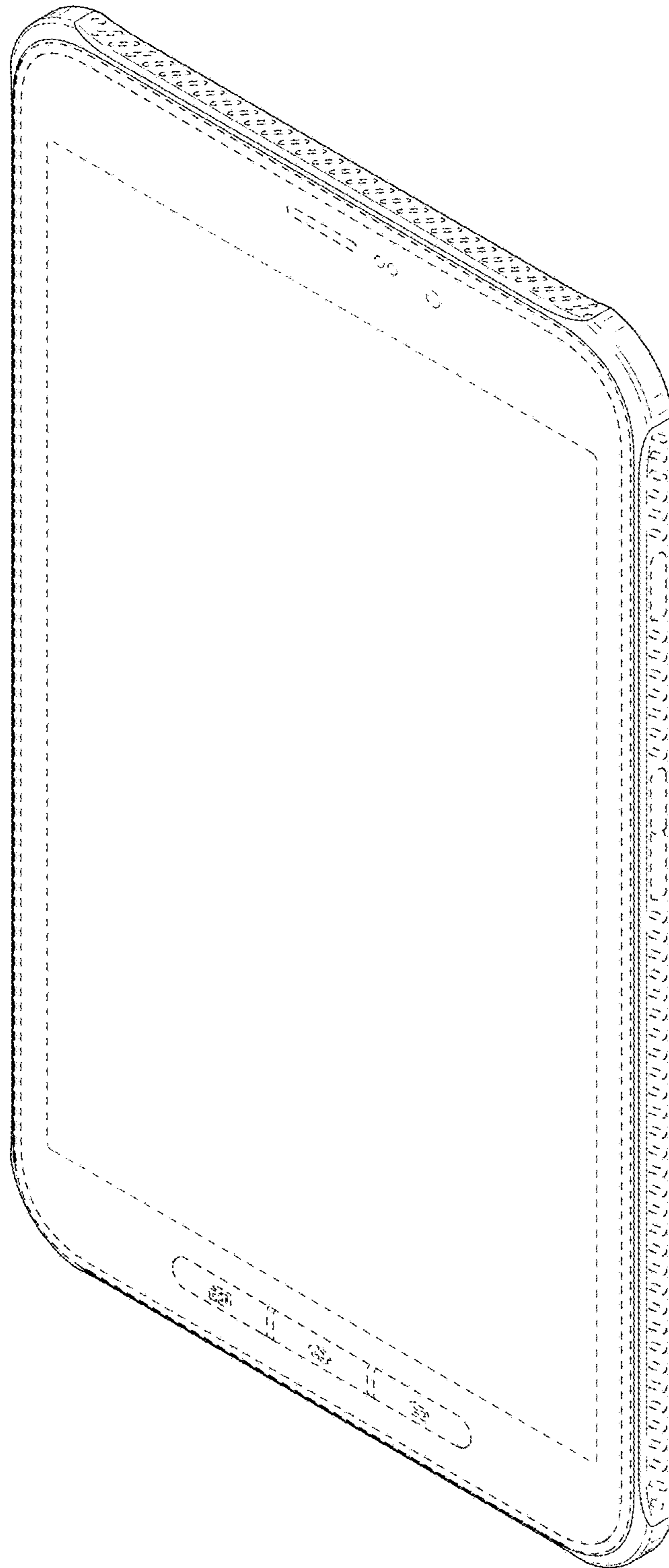


FIG. 2

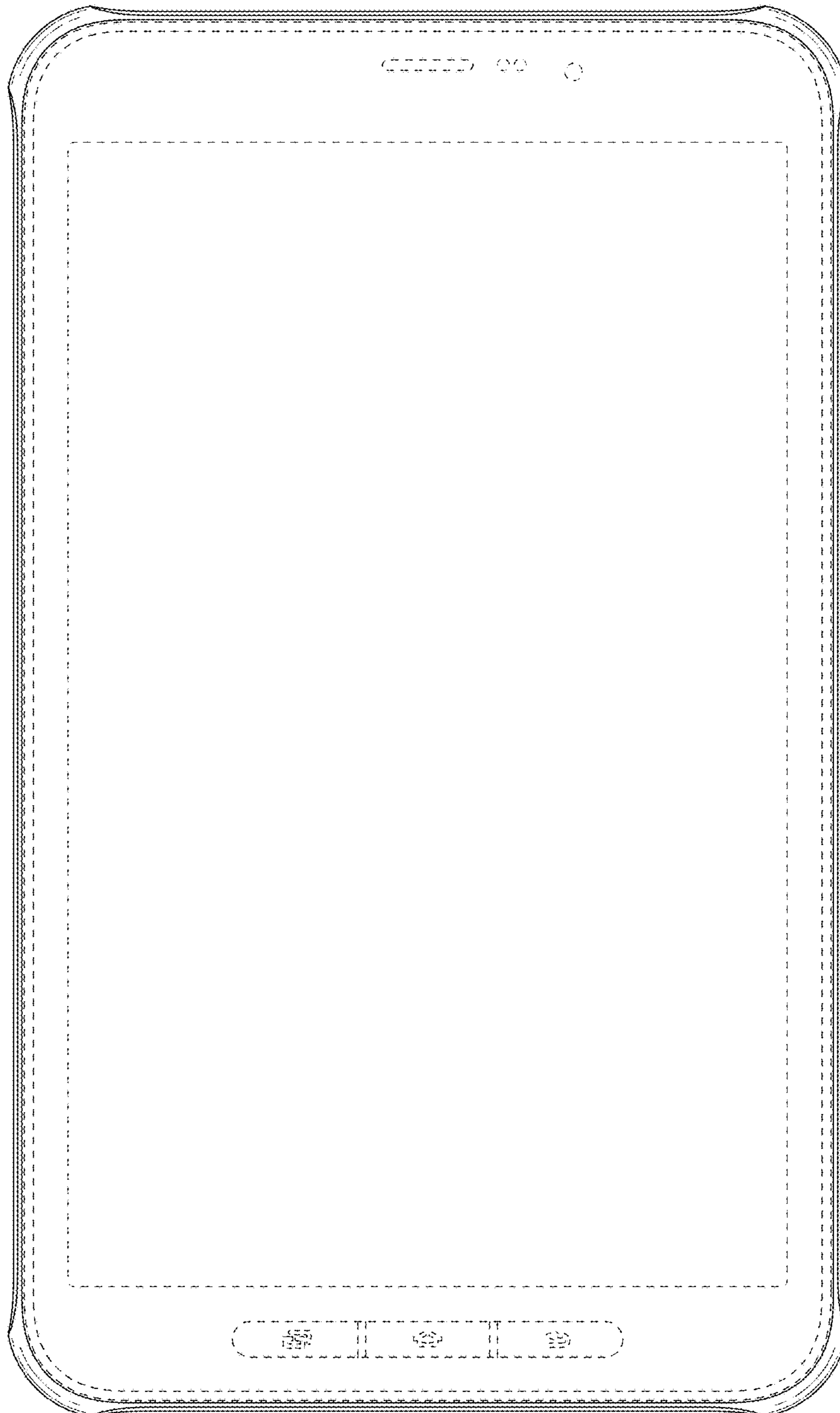


FIG. 3

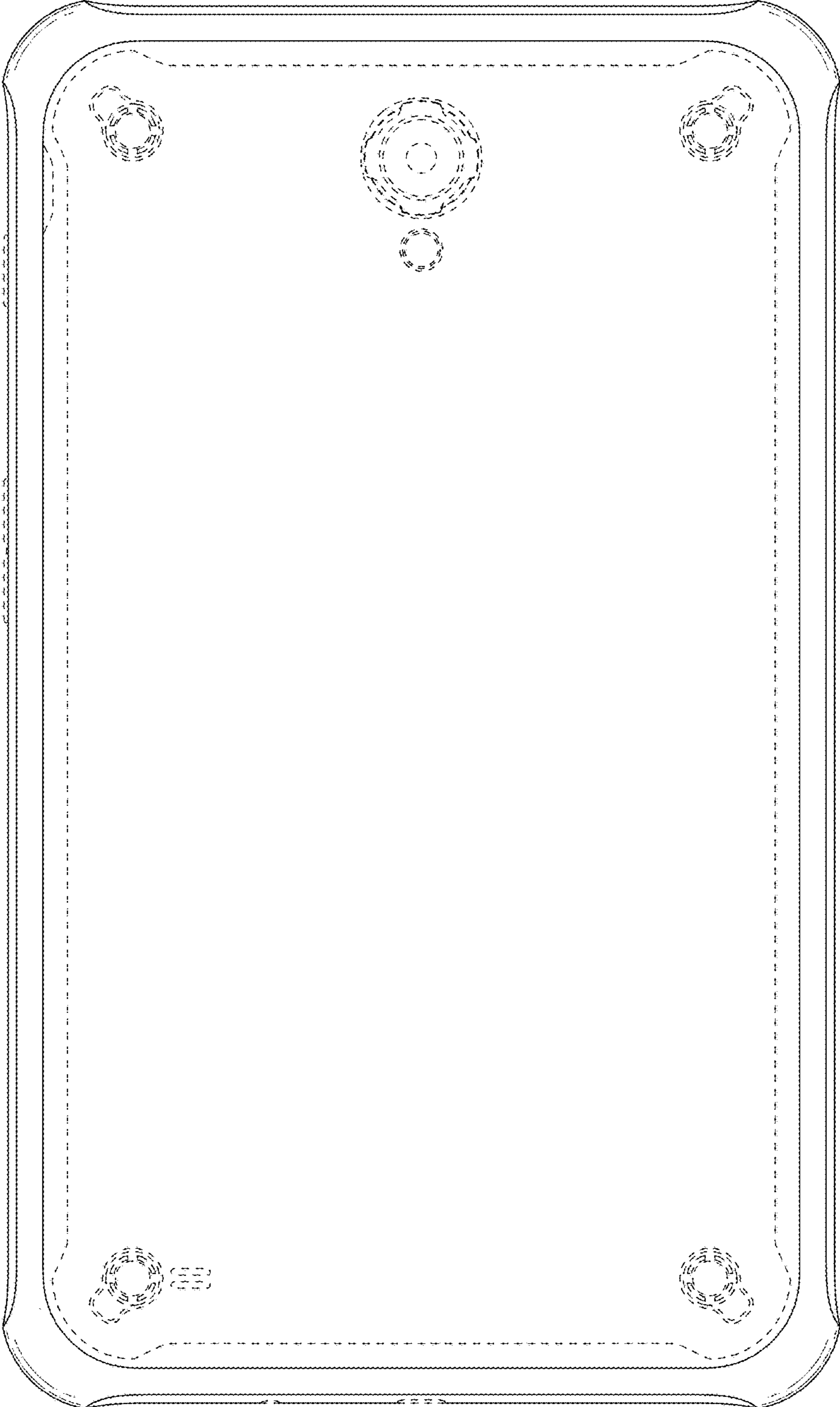


FIG. 4

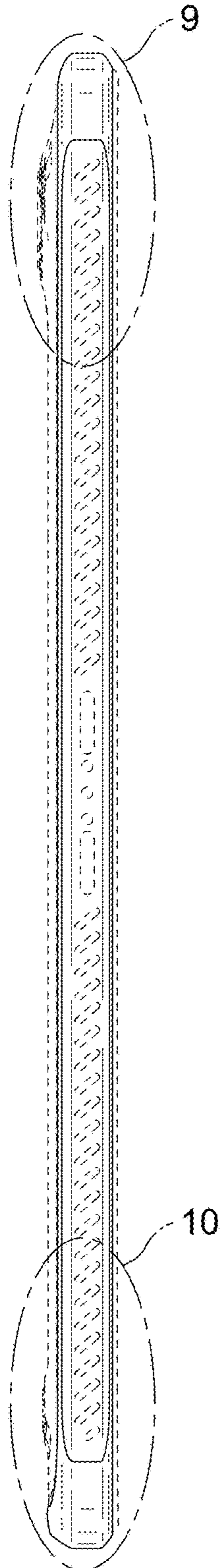


FIG. 5

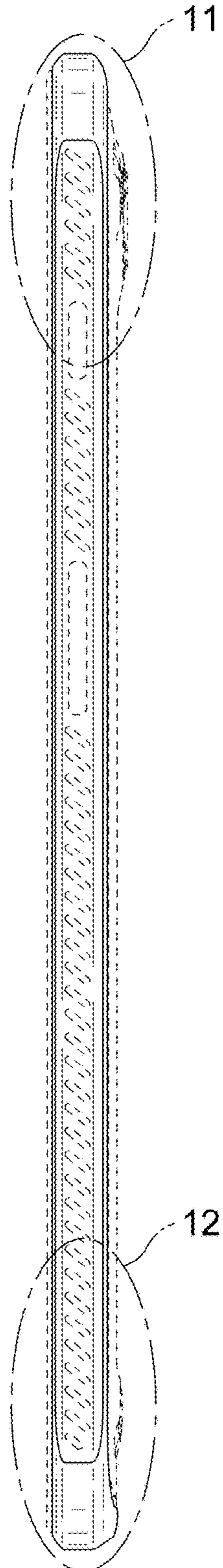


FIG. 6

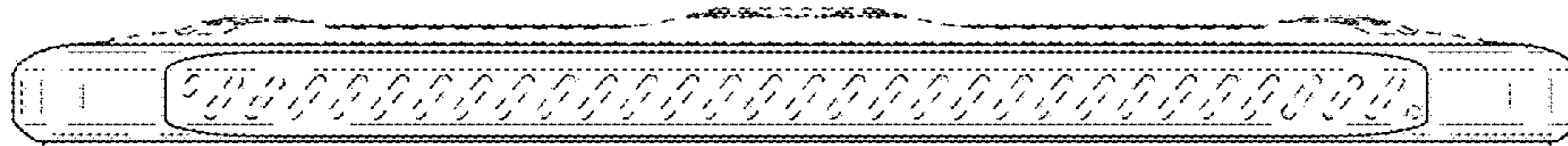




FIG. 7



FIG. 8

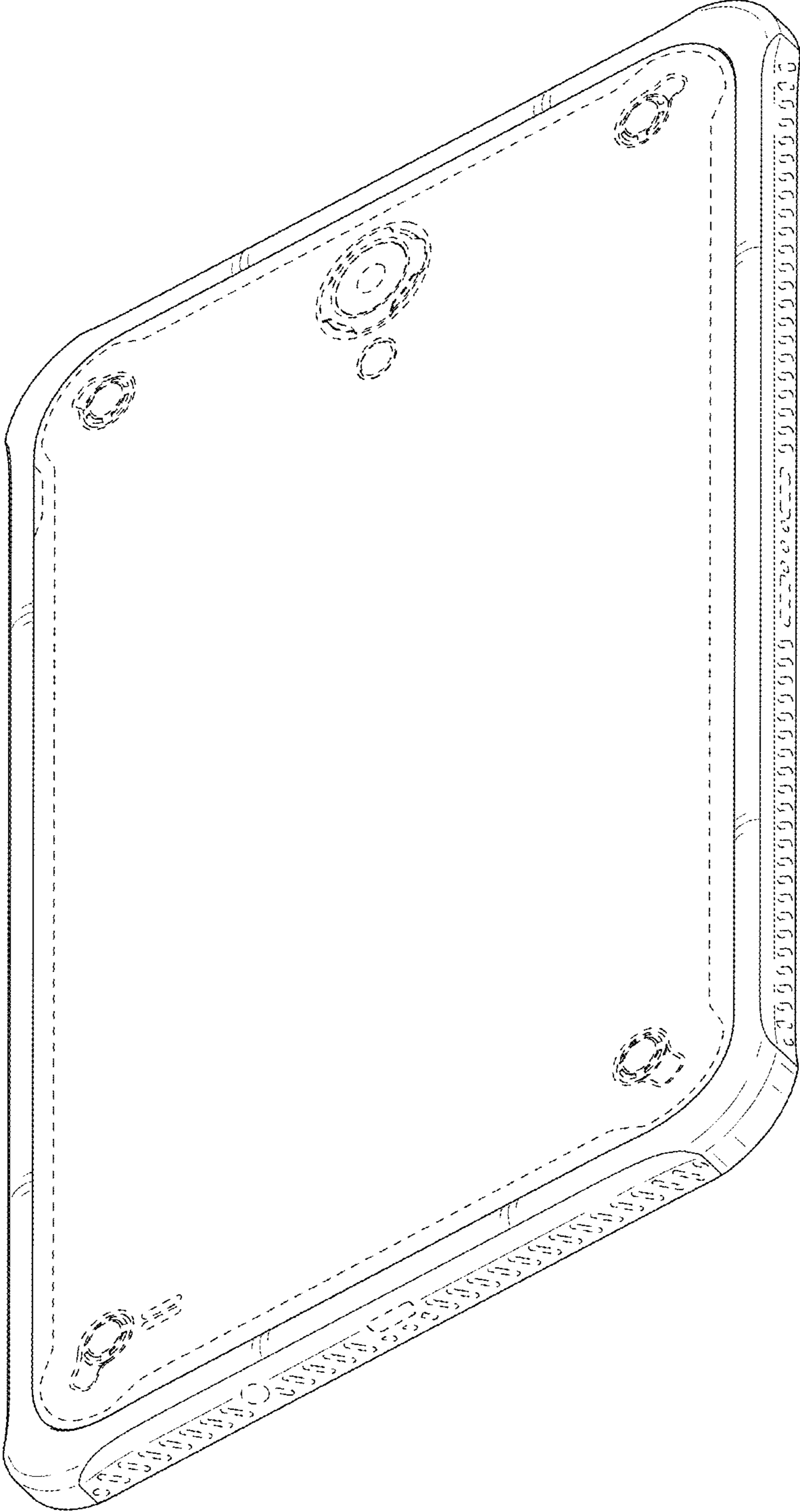


FIG. 9

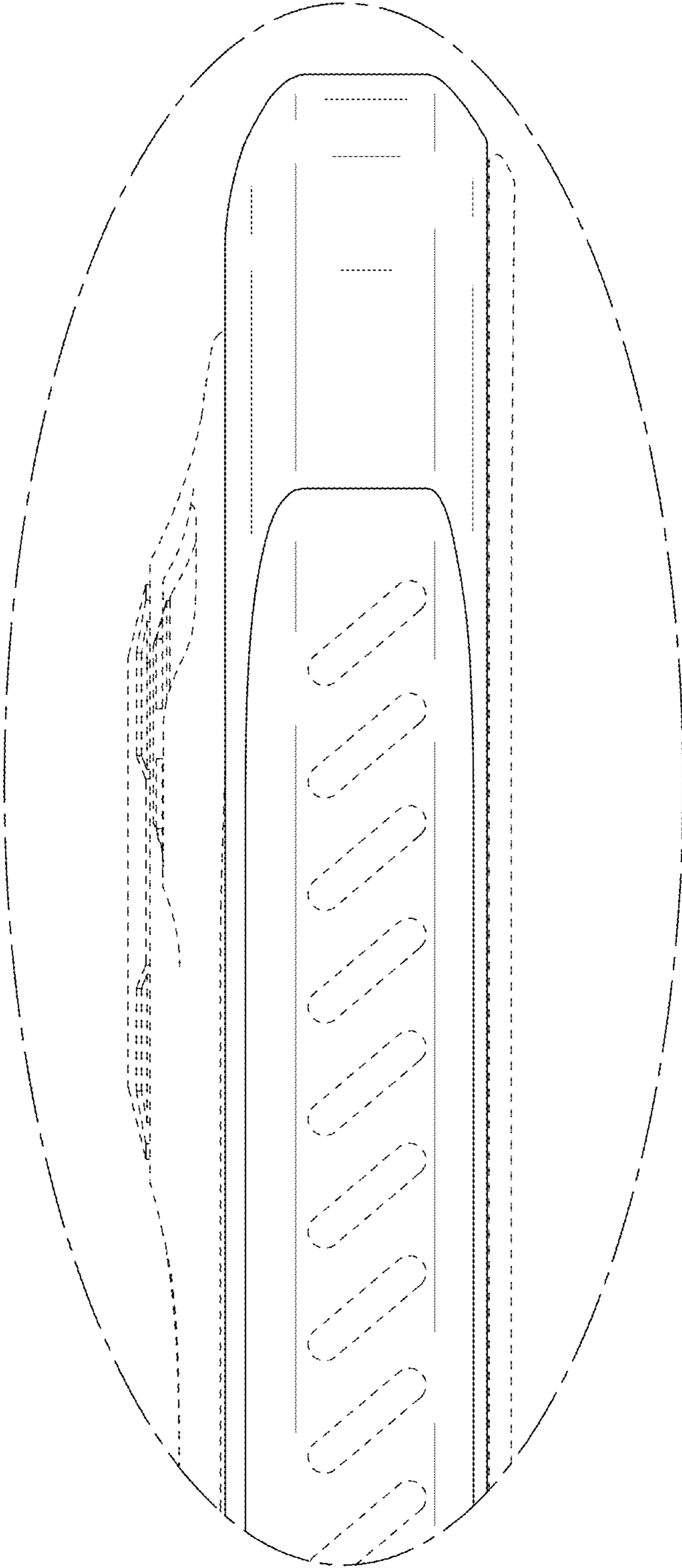


FIG. 10

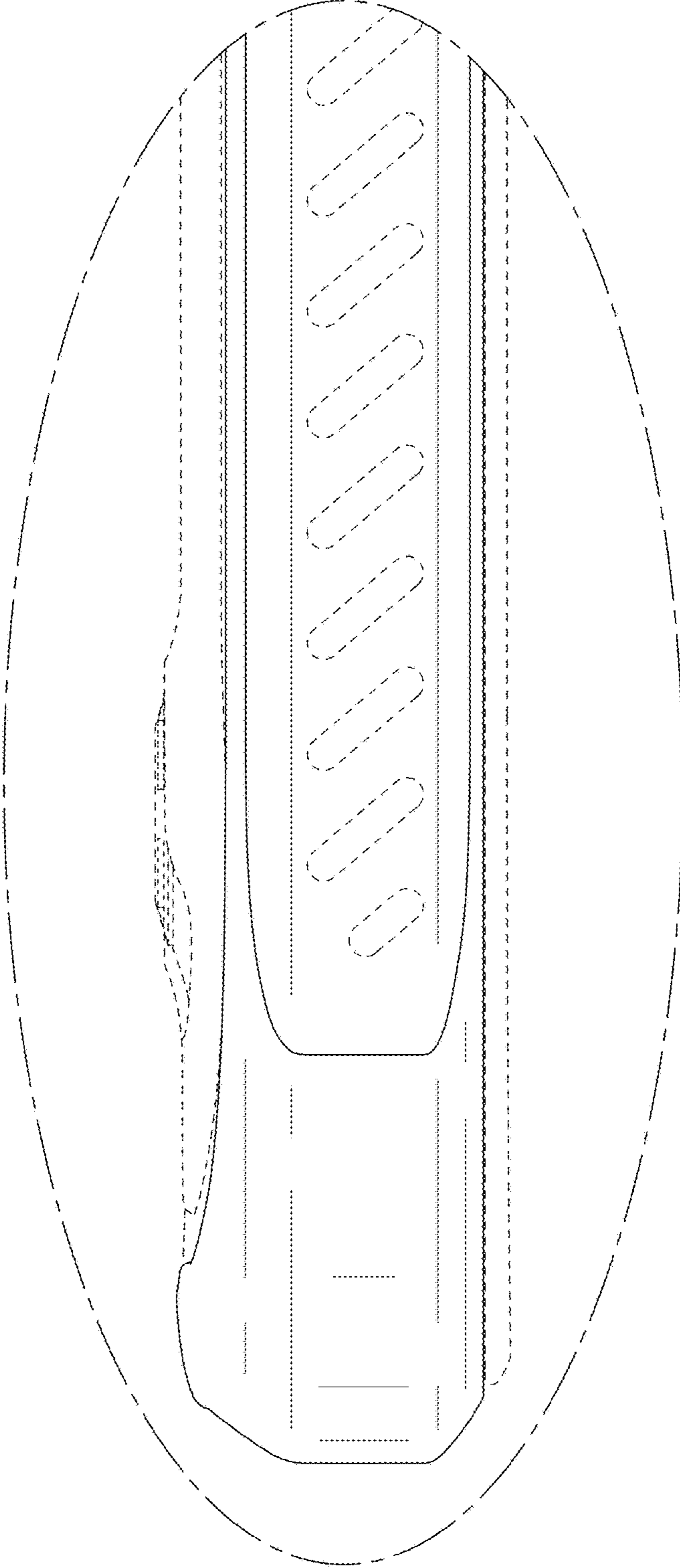


FIG. 11

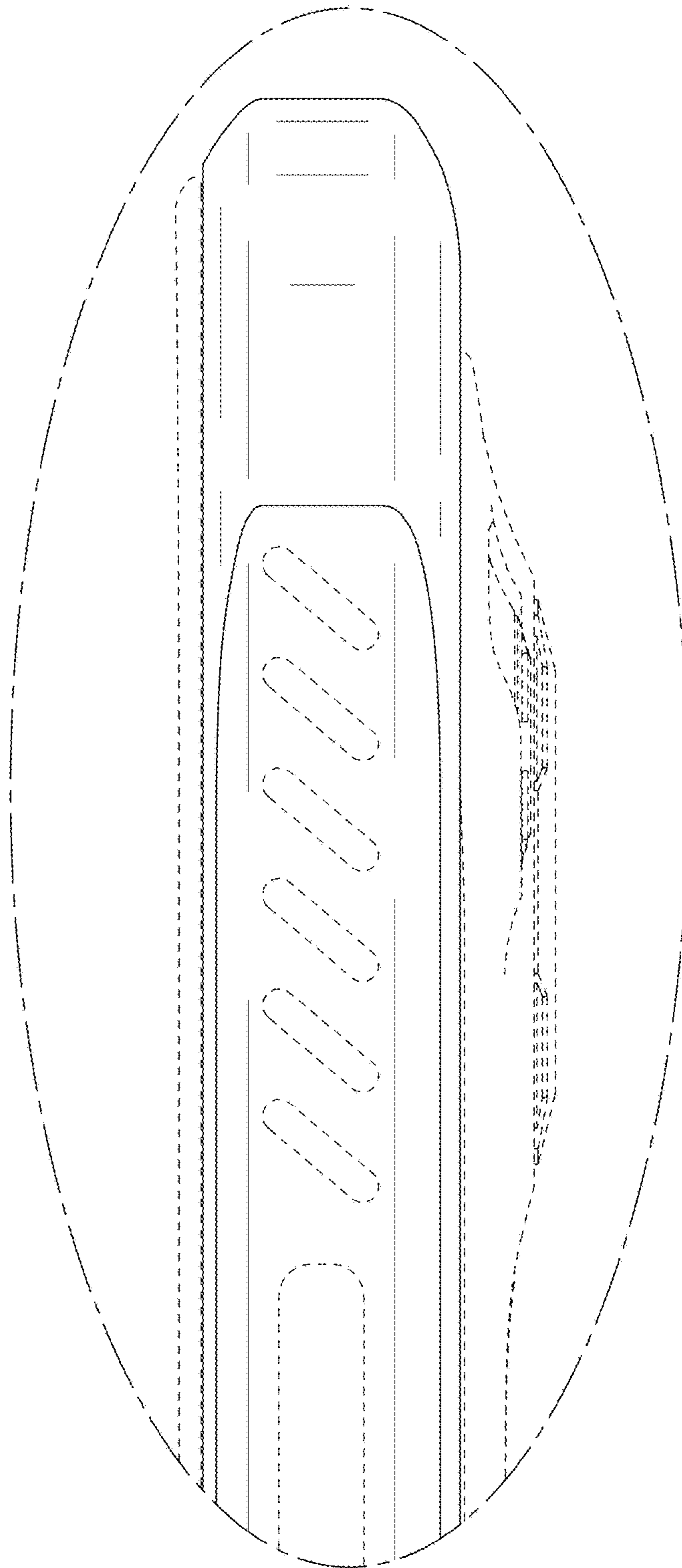


FIG. 12

