



US00D788053S

(12) **United States Design Patent**  
**Choi et al.**

(10) **Patent No.:** **US D788,053 S**

(45) **Date of Patent:** **\*\* May 30, 2017**

(54) **TELEVISION RECEIVER**

(71) Applicant: **Samsung Electronics Co., LTD.**,  
Suwon-si (KR)

(72) Inventors: **Su-An Choi**, Seoul (KR); **Han-Sol Kwon**, Gwangmyeong (KR)

(73) Assignee: **Samsung Electronics Co., Ltd.**,  
Suwon-si (KR)

(\*\*) Term: **15 Years**

(21) Appl. No.: **29/568,557**

(22) Filed: **Jun. 20, 2016**

(30) **Foreign Application Priority Data**

Dec. 24, 2015 (KR) ..... 30-2015-0066190

(51) **LOC (10) Cl.** ..... **14-03**

(52) **U.S. Cl.**  
USPC ..... **D14/126**

(58) **Field of Classification Search**

USPC ..... D14/125-134, 239, 371, 136, 374-377,  
D14/440, 450, 448, 336, 342, 159;  
312/7.2; 348/836, 838, 180, 184, 325,  
348/739; 248/917-924, 465; 345/104,  
345/133, 156, 168, 87, 173; D21/329,  
D21/515, 577, 622, 333, 433, 448, 452,  
D21/450, 331, 505; D10/15, 26;  
446/484, 175, 356; D6/477, 479, 300;  
D20/10, 19, 39; D16/203, 241; 160/24;  
D5/4, 5, 30, 61

CPC .... G06F 1/1601; G06F 1/1643; G06F 1/1652;  
G06F 1/1647; G06F 3/0412; H05K  
5/0004; H05K 5/0017; H05K 5/02; H05K  
5/0217; H04N 13/0459

See application file for complete search history.

(56) **References Cited**

**U.S. PATENT DOCUMENTS**

D481,038 S \* 10/2003 Borsboom ..... D14/375  
D481,726 S \* 11/2003 Olson ..... D14/375

D489,342 S \* 5/2004 Campbell ..... D14/130  
D699,205 S \* 2/2014 Kim ..... D14/126  
D716,244 S \* 10/2014 Kim ..... D14/126  
D725,619 S \* 3/2015 Choi ..... D14/126

(Continued)

**FOREIGN PATENT DOCUMENTS**

CN 200930222316.5 6/2010  
CN 201330277040.7 11/2013

(Continued)

*Primary Examiner* — Raphael Barkai

(74) *Attorney, Agent, or Firm* — NSIP Law

(57) **CLAIM**

We claim the ornamental design for a television receiver, as shown and described.

**DESCRIPTION**

FIG. 1 is a front perspective view of a television receiver showing our new design;

FIG. 2 is a front view thereof;

FIG. 3 is a rear view thereof;

FIG. 4 is a left-side view thereof;

FIG. 5 is a right-side view thereof;

FIG. 6 is a top view thereof;

FIG. 7 is a bottom view thereof;

FIG. 8 is a rear perspective view thereof;

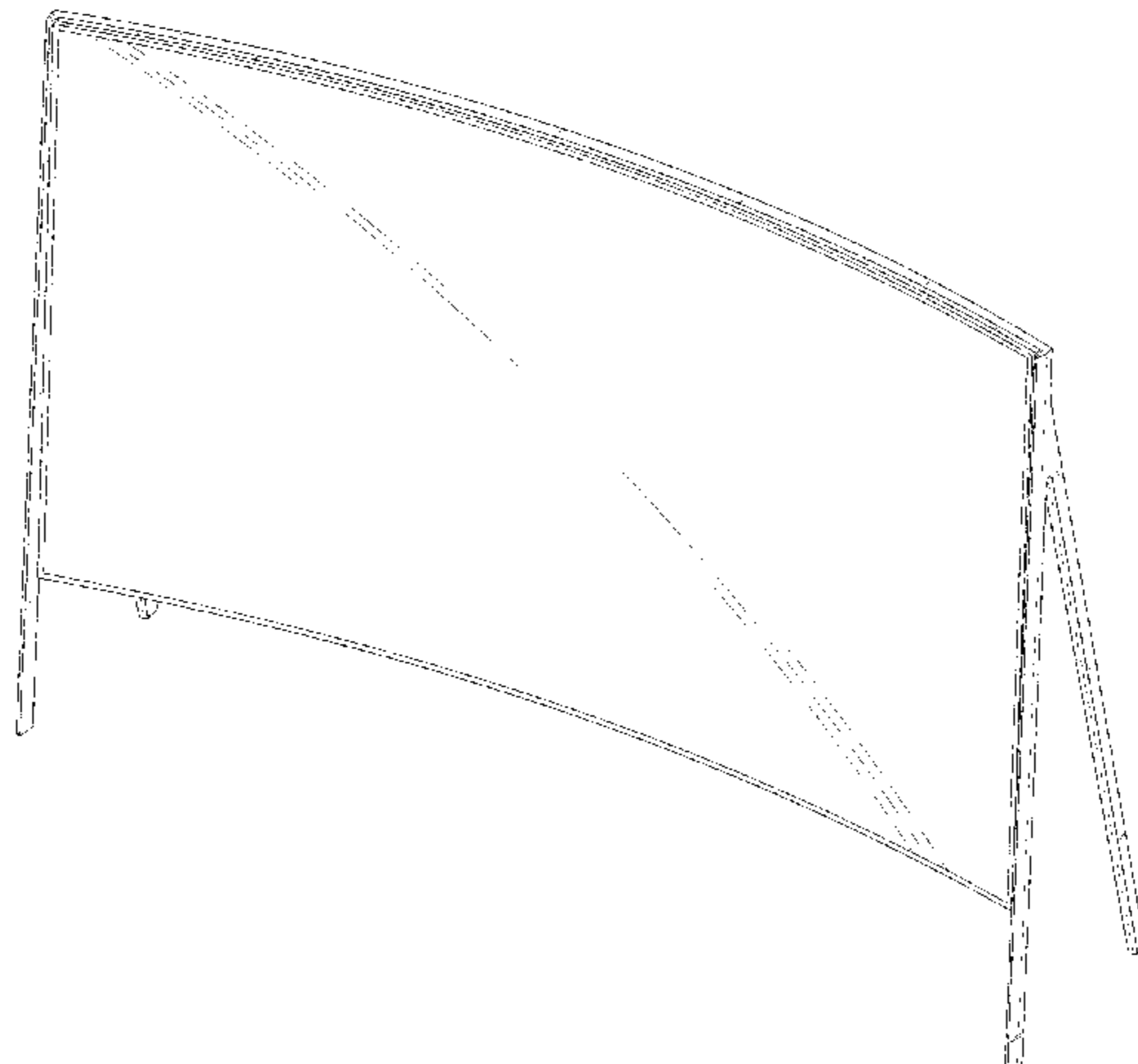
FIG. 9 is an enlarged view of the encircled portion in FIG. 2; and,

FIG. 10 is an enlarged view of the encircled portion in FIG. 6.

The broken lines in the figures depict environmental subject matter and form no part of the claimed design.

The dot-dash broken lines encircling portions of the claimed design that are illustrated in enlargements form no part of the claimed design.

**1 Claim, 9 Drawing Sheets**



(56)

**References Cited**

U.S. PATENT DOCUMENTS

|            |   |         |              |         |
|------------|---|---------|--------------|---------|
| D726,136 S | * | 4/2015  | Cho .....    | D14/126 |
| D727,865 S | * | 4/2015  | Moon .....   | D14/126 |
| D737,792 S | * | 9/2015  | Park .....   | D14/126 |
| D755,743 S | * | 5/2016  | Kim .....    | D14/126 |
| D757,667 S | * | 5/2016  | Yokota ..... | D14/126 |
| D768,591 S | * | 10/2016 | Lee .....    | D14/126 |

FOREIGN PATENT DOCUMENTS

|    |                 |         |
|----|-----------------|---------|
| CN | 201430227180.8  | 12/2014 |
| KR | 30-2013-0027725 | 3/2014  |

\* cited by examiner

FIG. 1

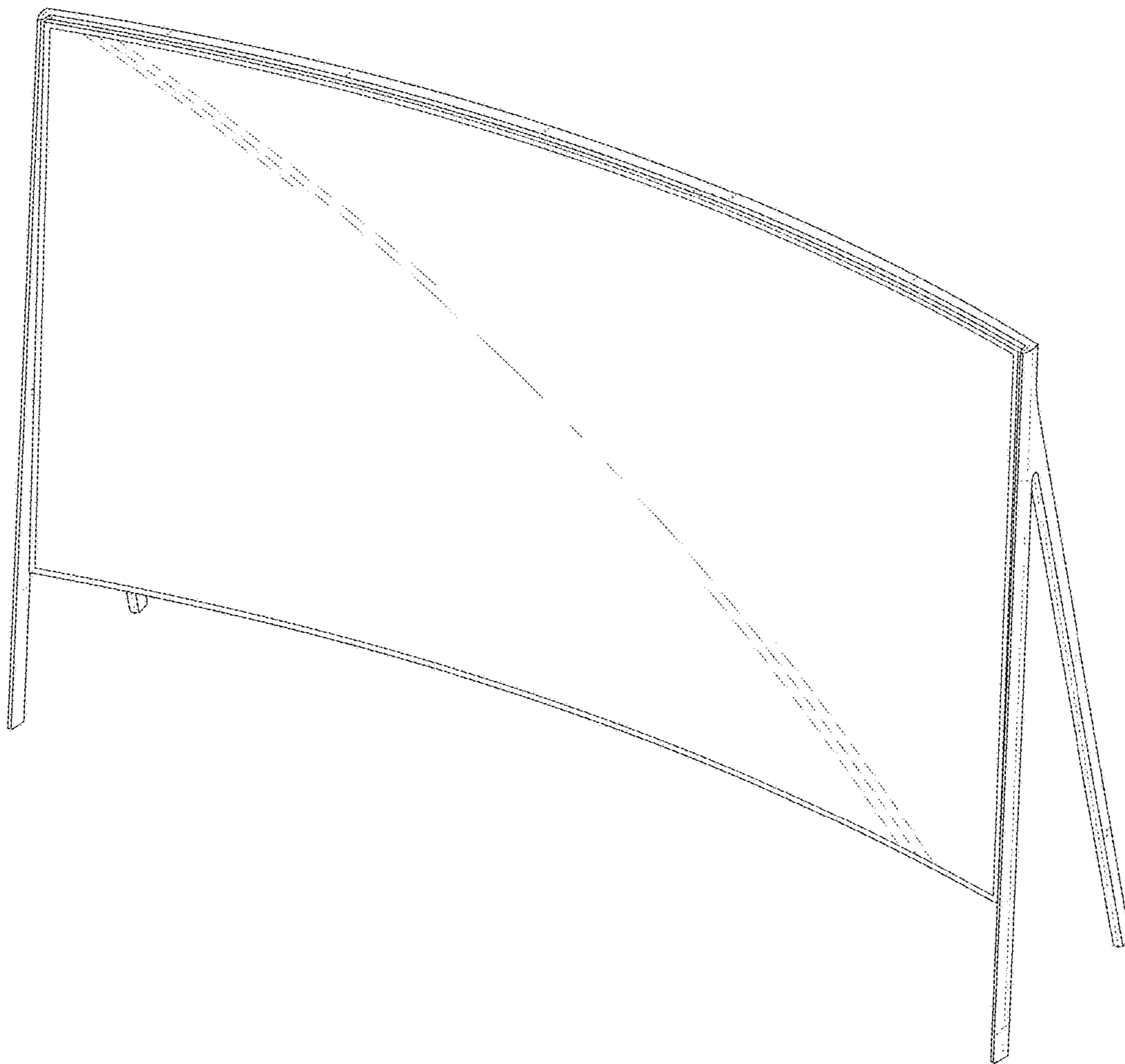


FIG. 2

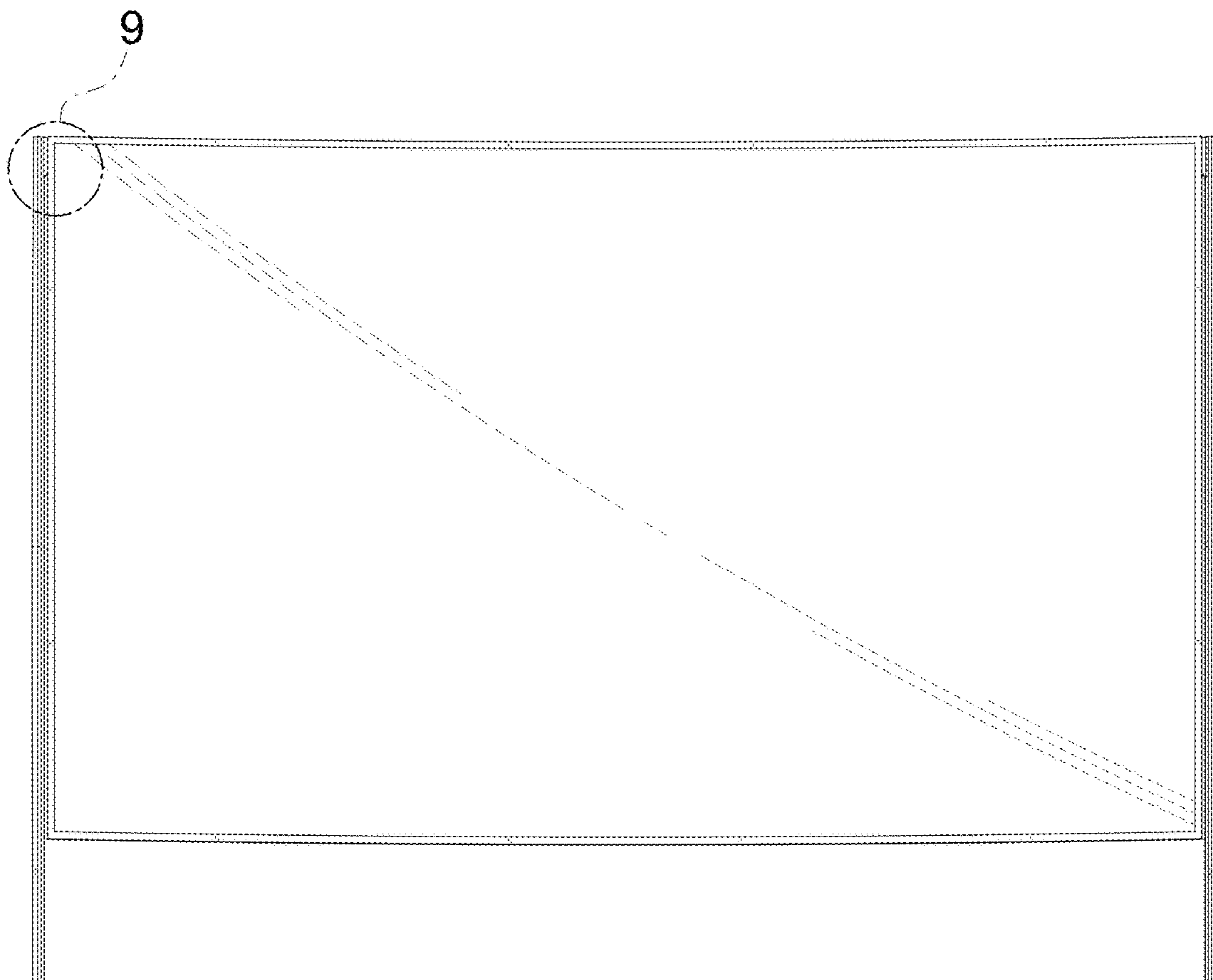


FIG. 3

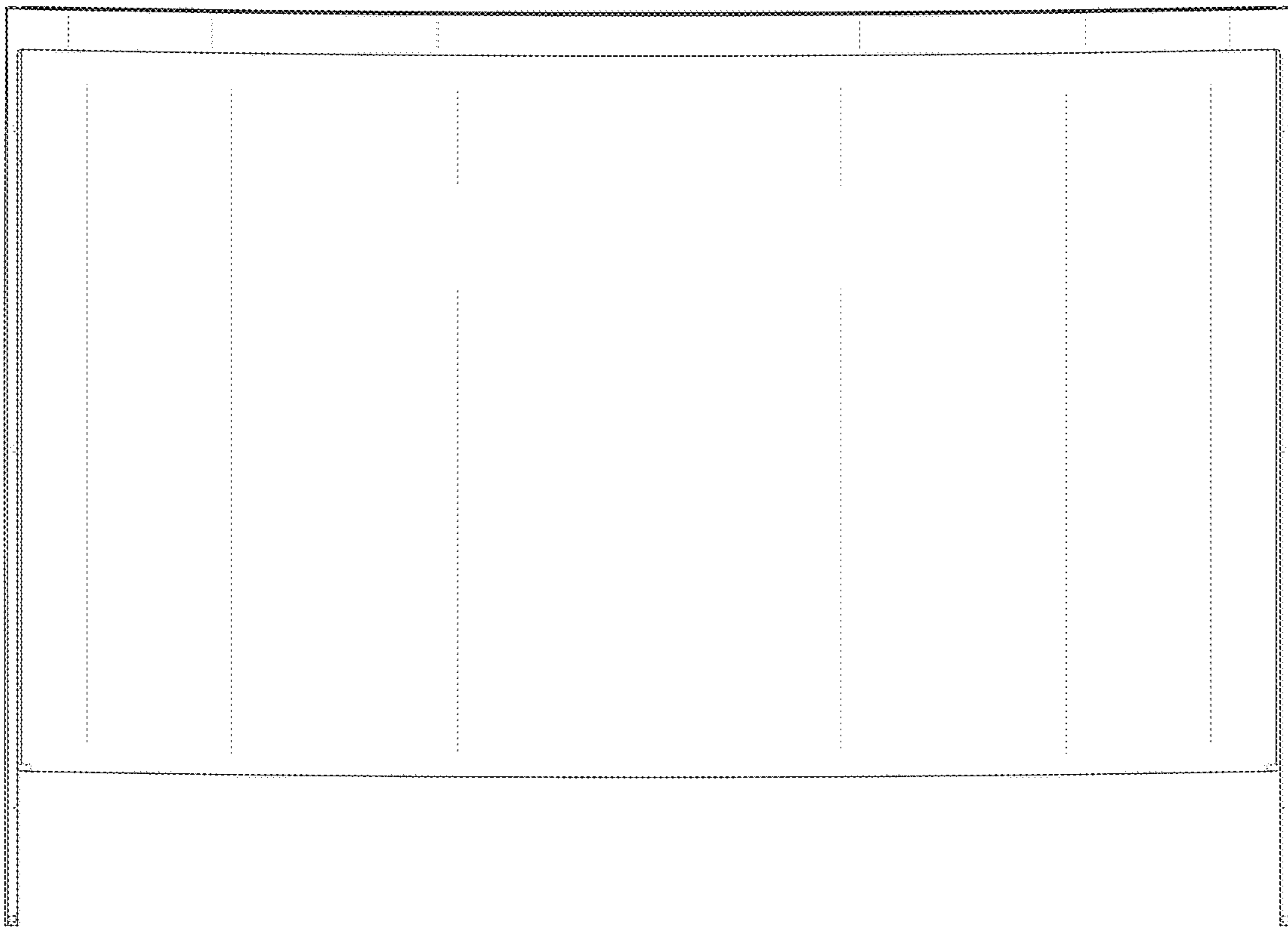


FIG. 4

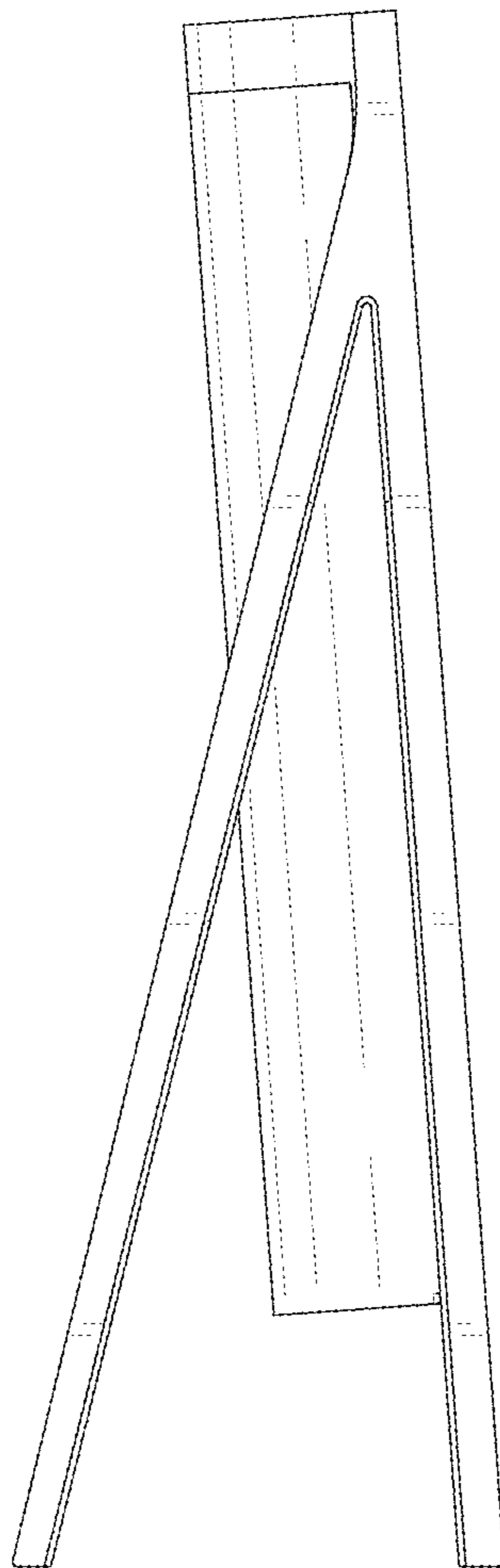


FIG. 5

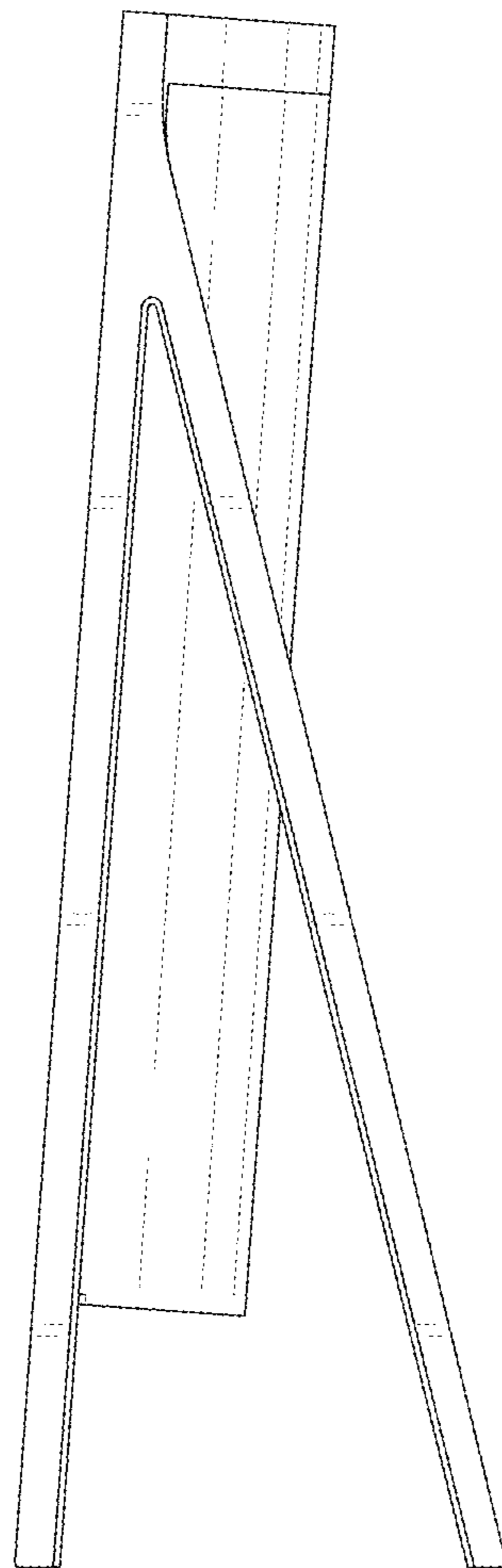


FIG. 6

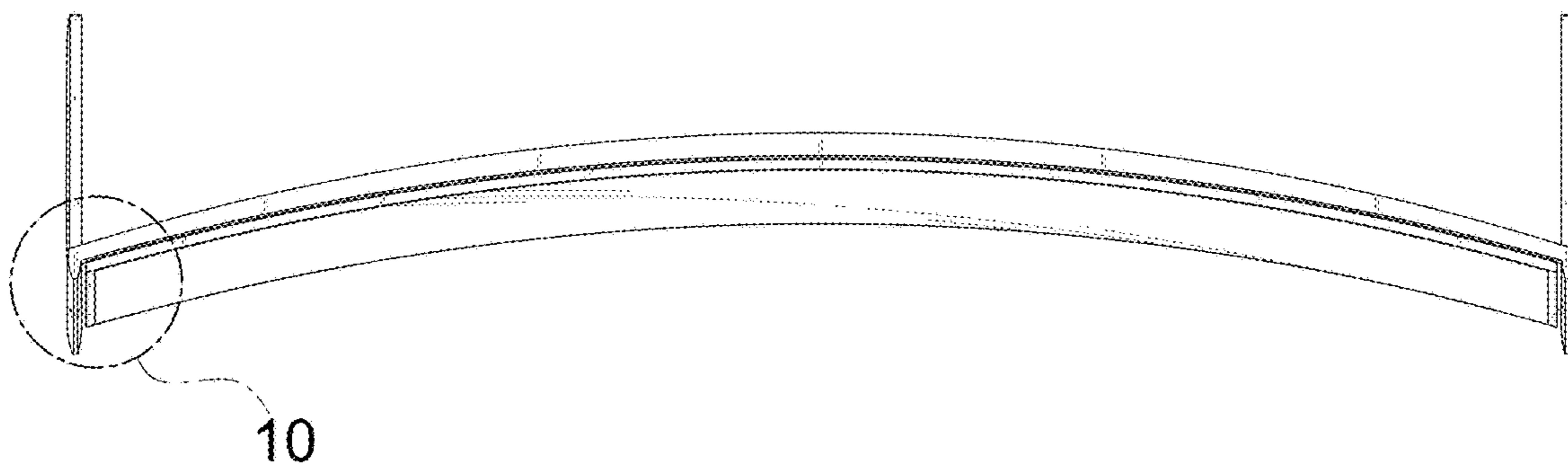


FIG. 7

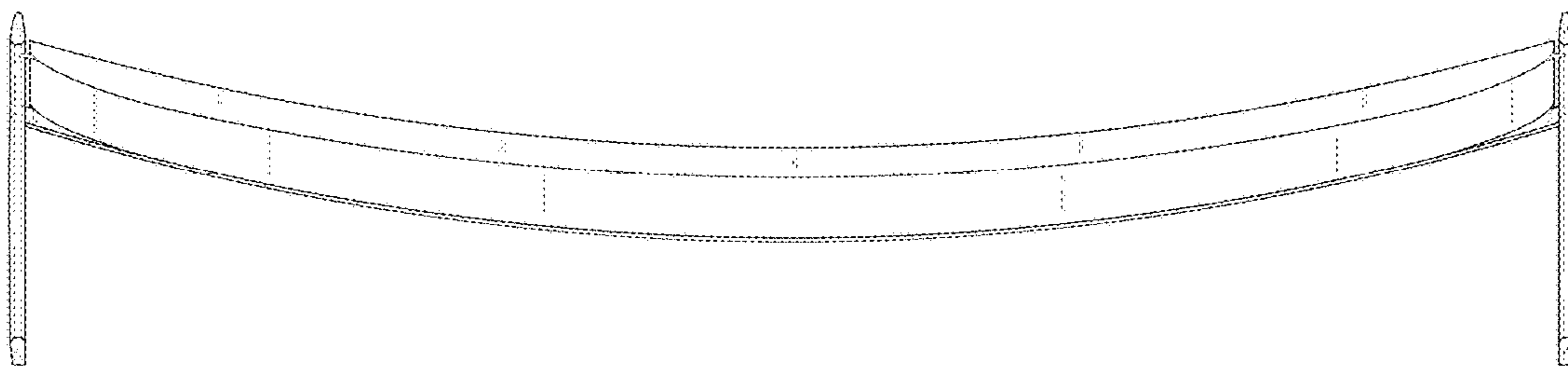




FIG. 8

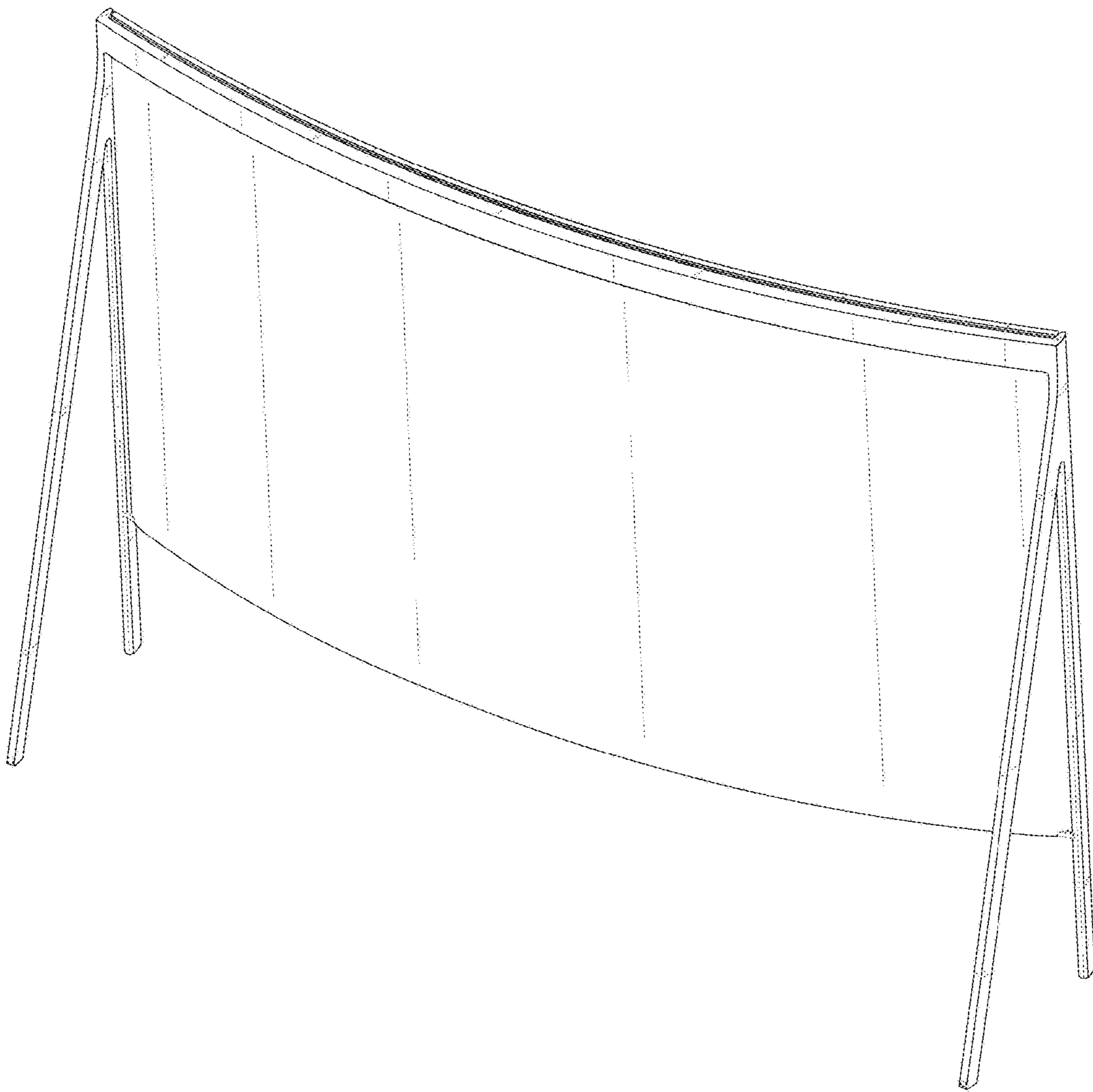


FIG. 9

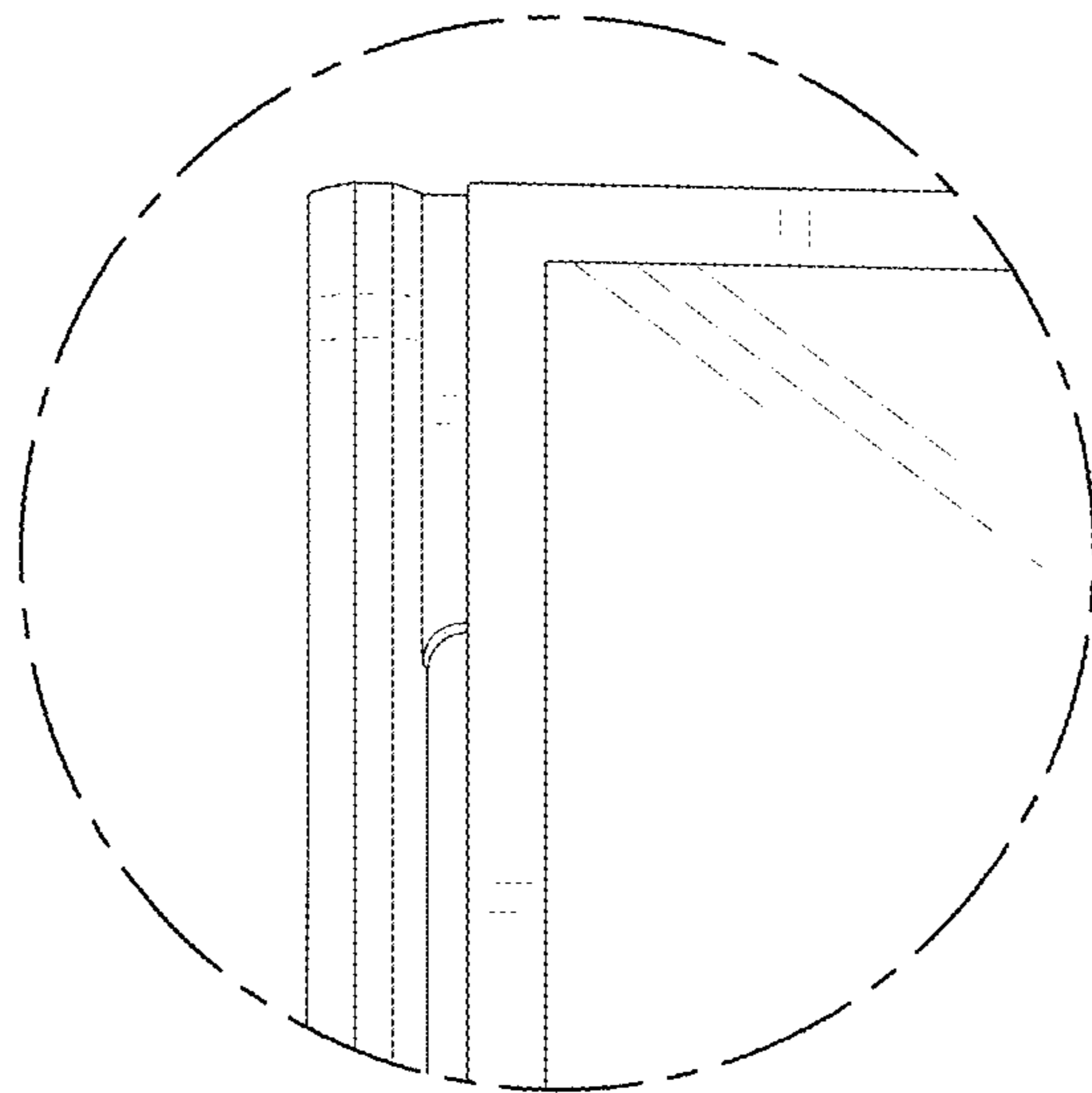


FIG. 10

