



US00D788049S

(12) **United States Design Patent**  
**Huang**

(10) **Patent No.:** **US D788,049 S**

(45) **Date of Patent:** **\*\* May 30, 2017**

(54) **REMOTE CONTROL FOR AIR PURIFIERS**

(71) Applicant: **HUNG HSING ELECTRIC CO., LTD.**, Tainan (TW)

(72) Inventor: **Ping Huang**, Tainan (TW)

(73) Assignee: **Hung Hsing Electric Co., Ltd.**, Tainan (TW)

(\*\*) Term: **15 Years**

(21) Appl. No.: **29/566,166**

(22) Filed: **May 27, 2016**

(51) **LOC (10) Cl.** ..... **14-03**

(52) **U.S. Cl.**  
USPC ..... **D13/168**

(58) **Field of Classification Search**  
USPC ..... D13/168; D14/218  
CPC ..... H03J 1/0025; H04B 1/202; G08C 17/00;  
G08C 17/02; G08C 19/28; G08C 23/02;  
G08C 23/04; B01D 46/42; B01D 46/429  
See application file for complete search history.

(56) **References Cited**

**U.S. PATENT DOCUMENTS**

D520,462 S *	5/2006	Maeyama	.....	D13/168
D548,703 S *	8/2007	Vendramini	.....	D13/168
D584,292 S *	1/2009	Knight	.....	D14/218
D595,671 S *	7/2009	Glassman	.....	D13/168
D597,038 S *	7/2009	Glassman	.....	D13/168
D611,433 S *	3/2010	Tang	.....	D13/168
D617,745 S *	6/2010	Kindle	.....	D13/168

D619,546 S *	7/2010	Chiu	.....	D13/168
D645,414 S *	9/2011	Hwang	.....	D13/168
D729,208 S *	5/2015	Ryu	.....	D14/218
D739,385 S *	9/2015	James	.....	D14/218
D765,044 S *	8/2016	Satou	.....	D13/168
D766,193 S *	9/2016	Desagre	.....	D13/168
D770,420 S *	11/2016	Choi	.....	D14/218
2006/0119585 A1 *	6/2006	Skinner	.....	G08C 17/02 345/173
2016/0203710 A1 *	7/2016	Bataillou	.....	G08C 19/28 340/12.55

\* cited by examiner

*Primary Examiner* — Selina Sikder

(74) *Attorney, Agent, or Firm* — Rosenberg, Klein & Lee

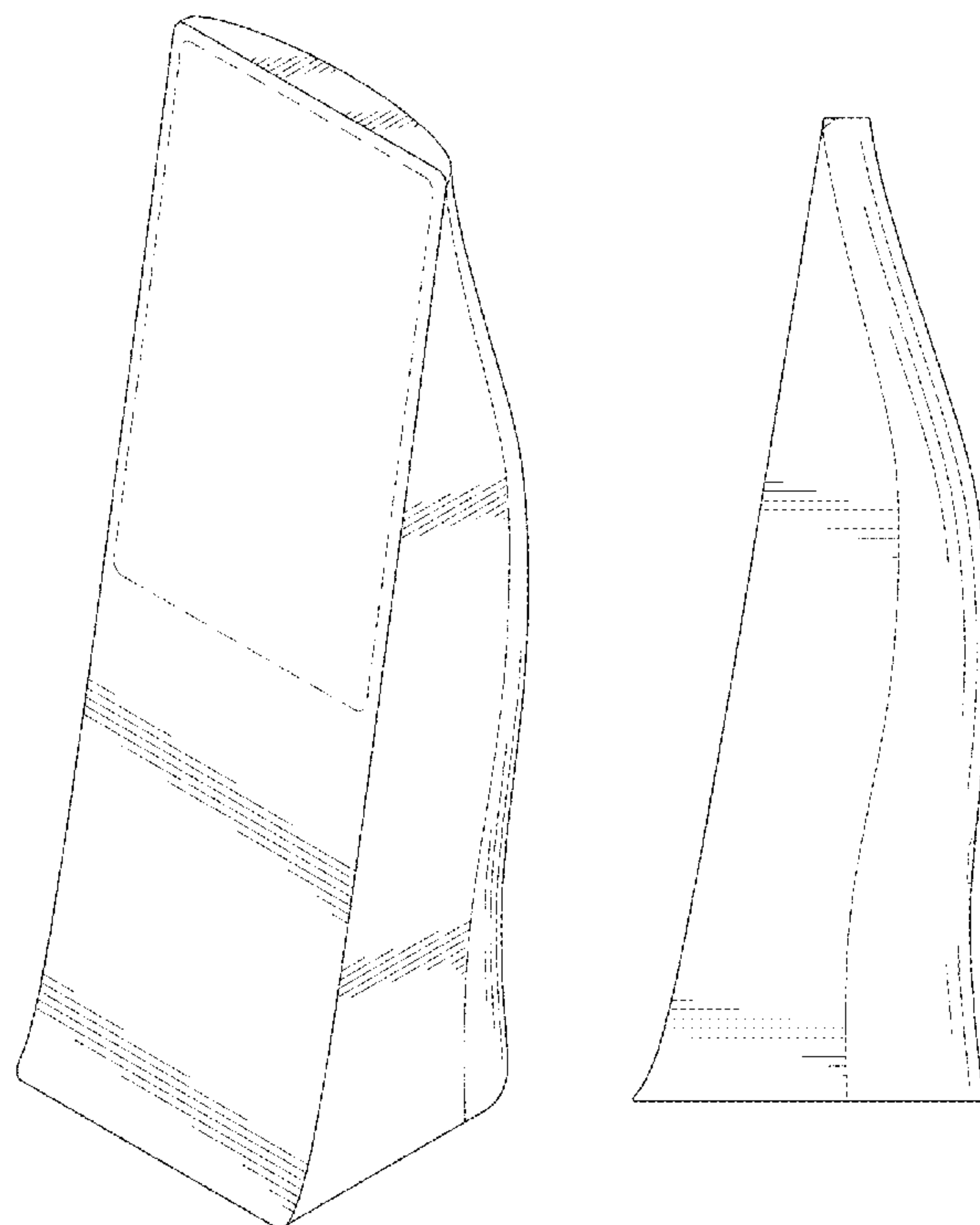
(57) **CLAIM**

The ornamental design for a remote control for air purifiers, as shown and described.

**DESCRIPTION**

FIG. 1 is a perspective view of a remote control for air purifiers showing my new design;  
FIG. 2 is a front elevational view thereof;  
FIG. 3 is a rear elevational view thereof;  
FIG. 4 is a left side elevational view thereof;  
FIG. 5 is a right side elevational view thereof;  
FIG. 6 is a top plan view thereof; and,  
FIG. 7 is a bottom plan view thereof.  
The broken lines are shown for illustrative purposes only and form no part of the claimed design.

**1 Claim, 7 Drawing Sheets**



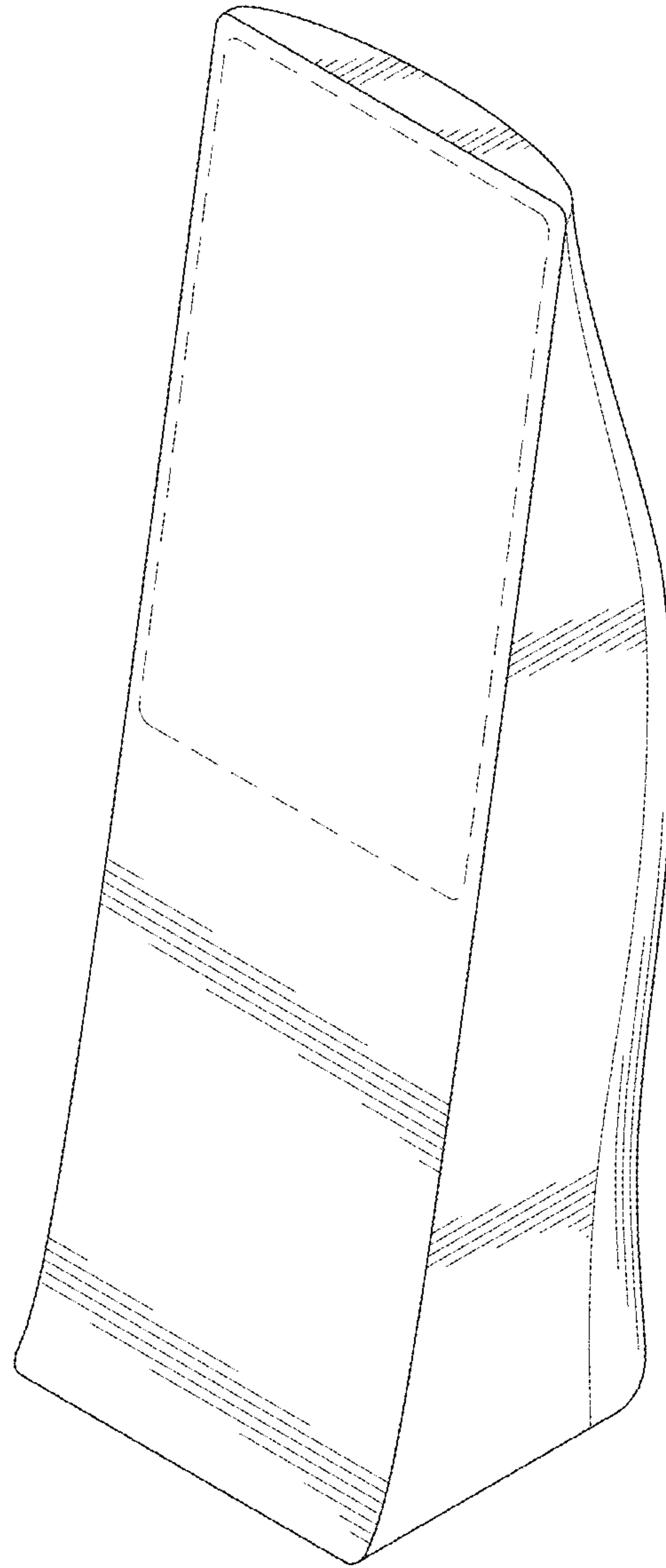


FIG. 1

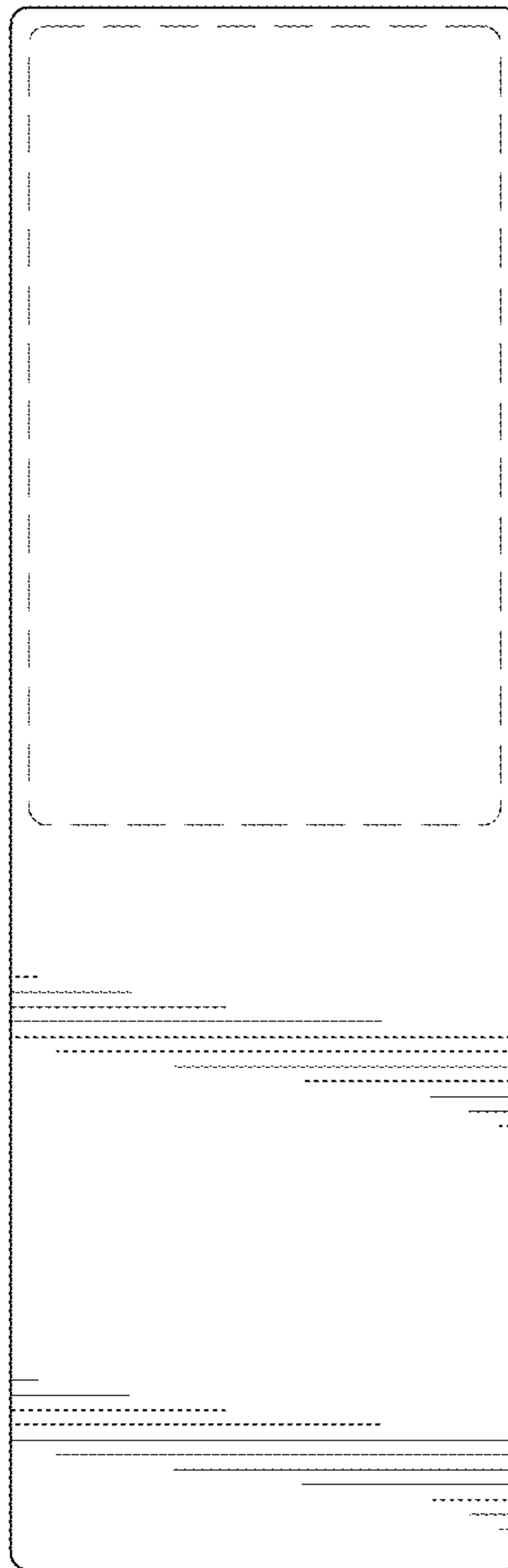


FIG. 2

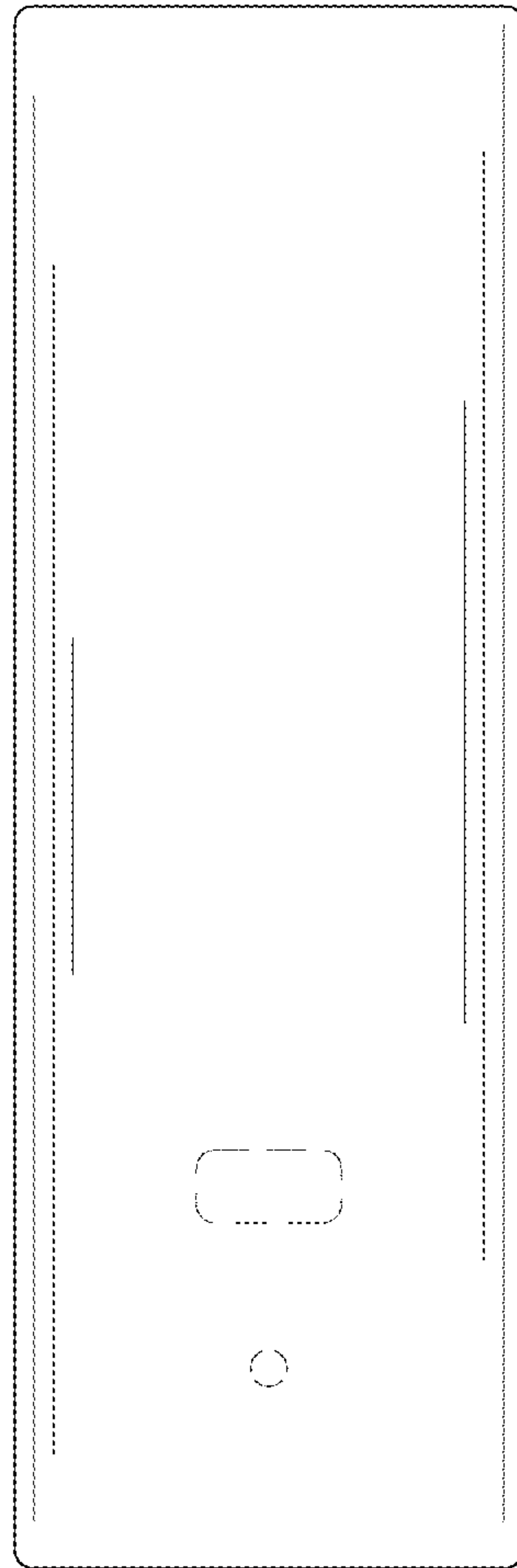


FIG. 3

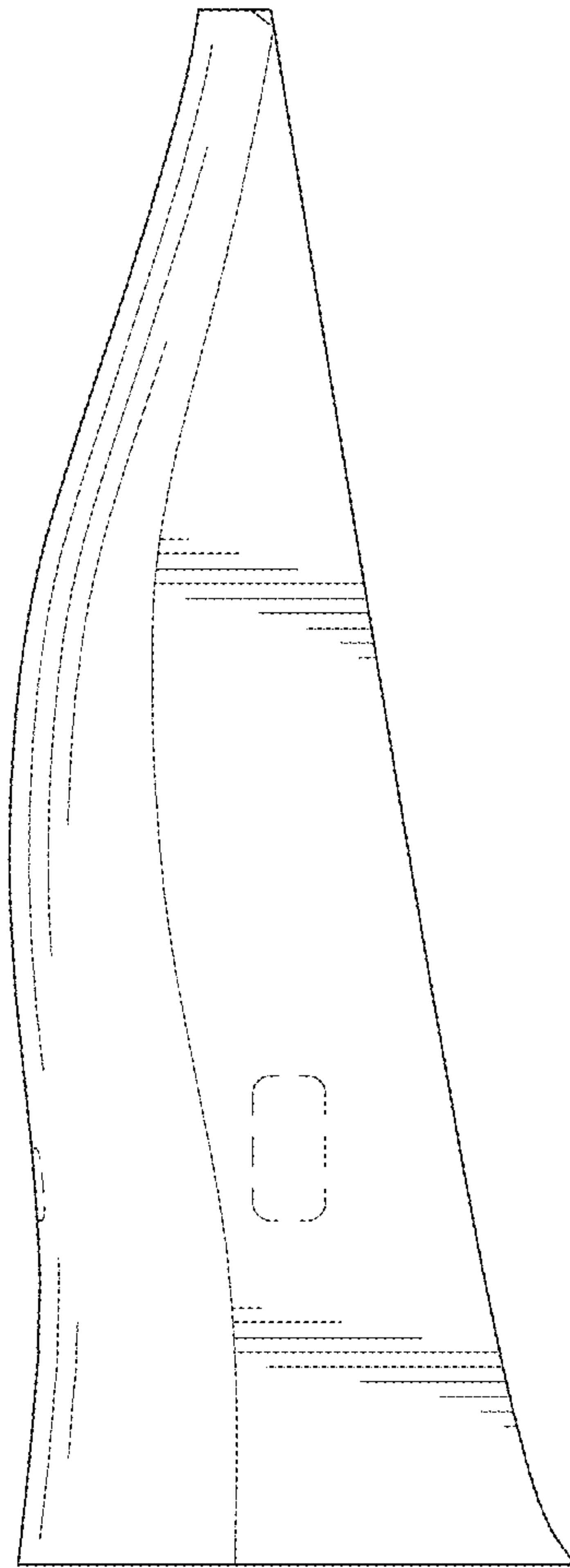


FIG. 4

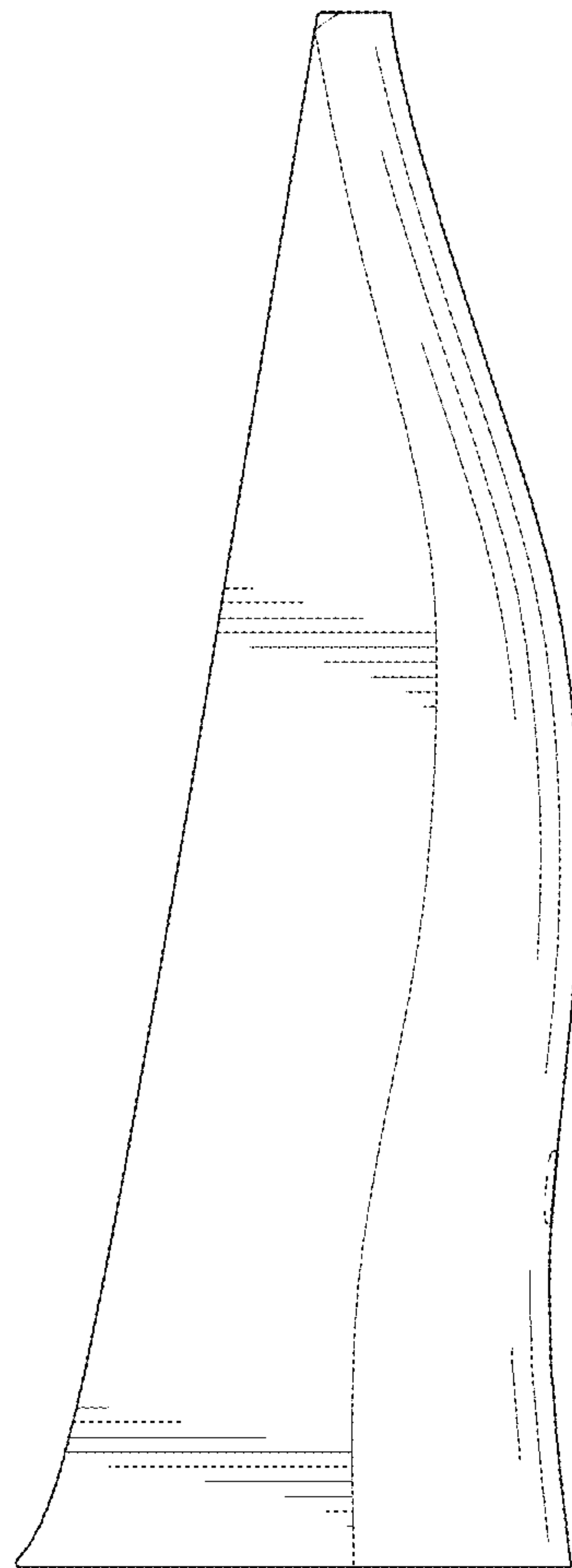


FIG. 5

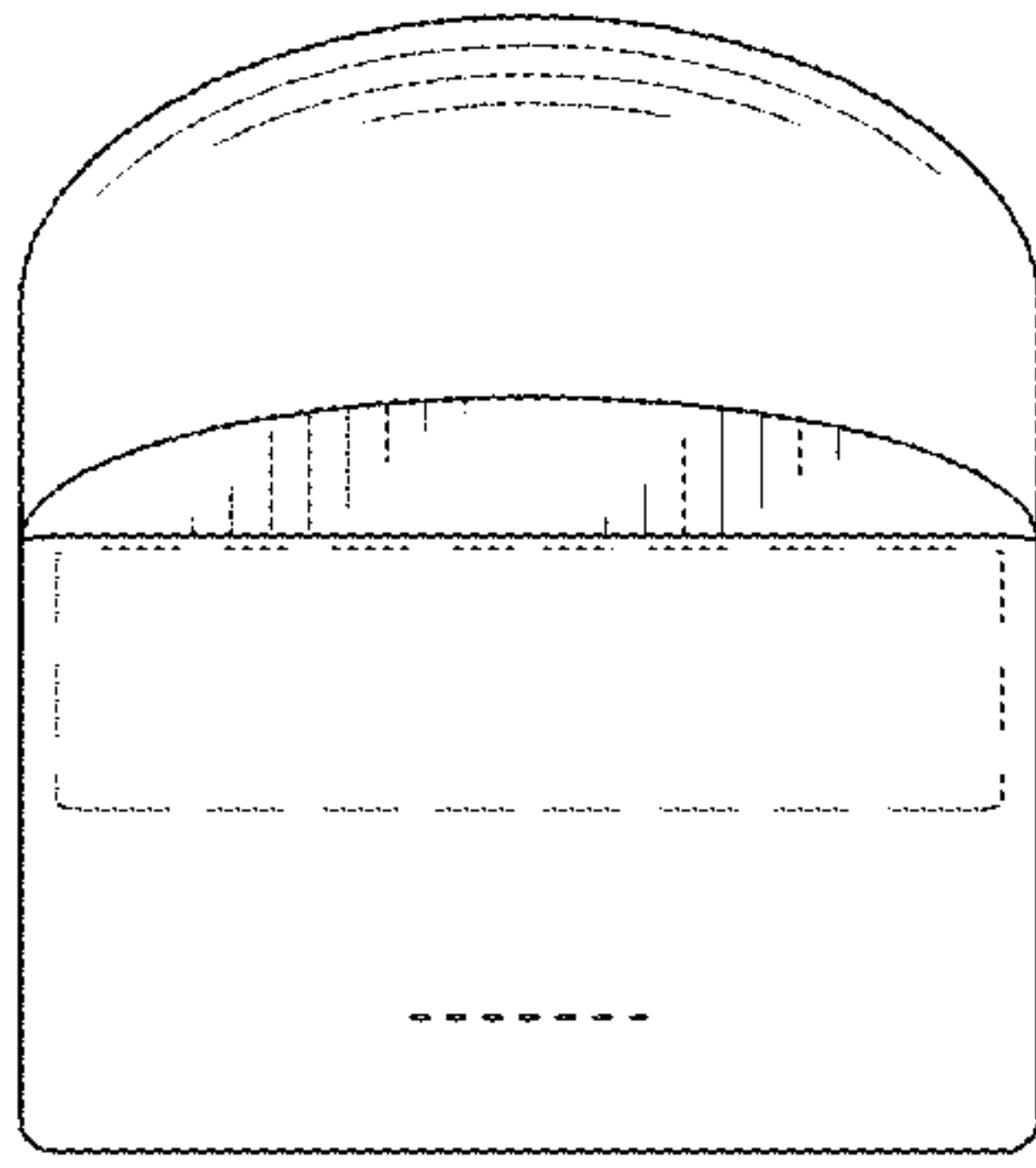


FIG. 6

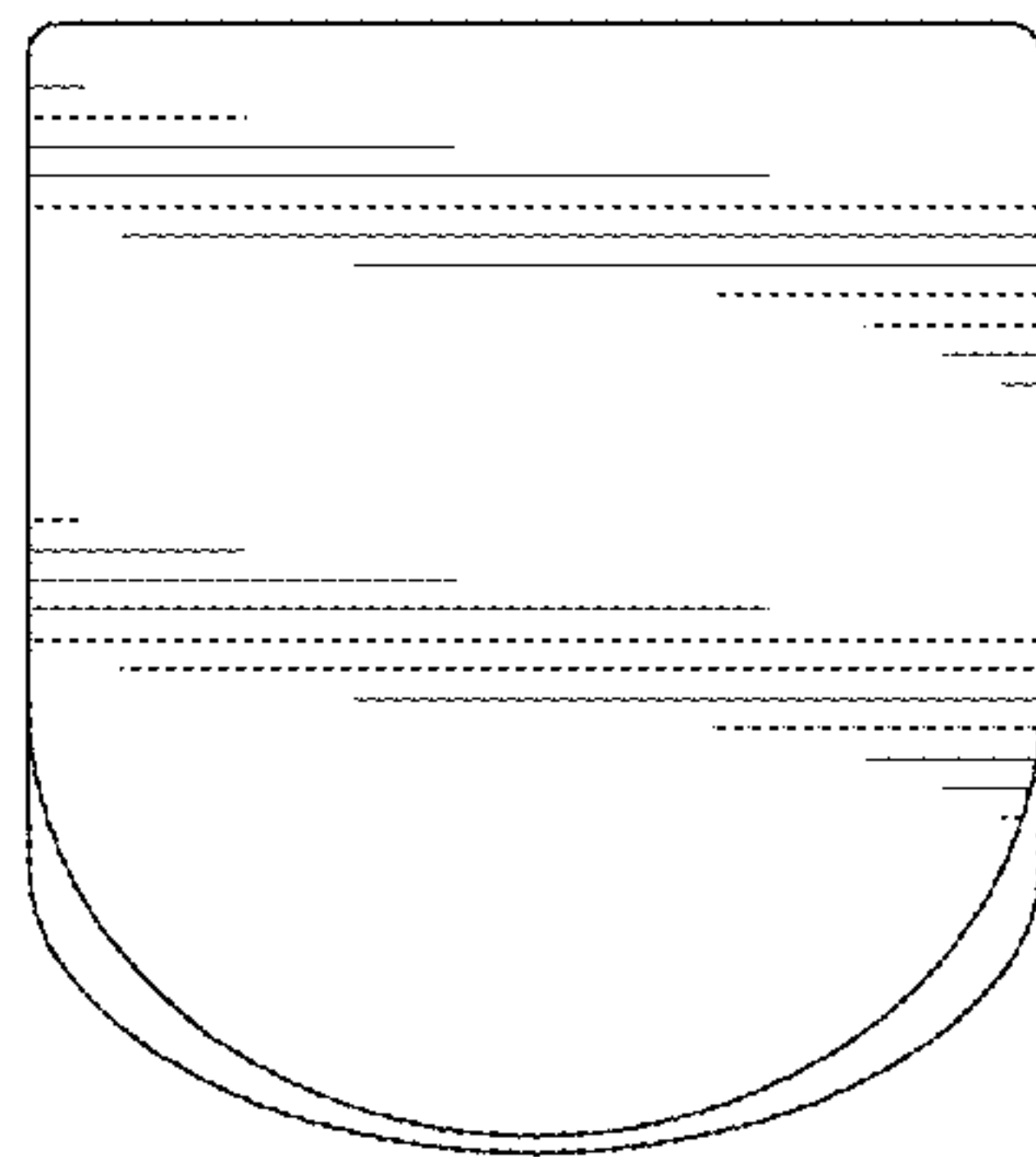


FIG. 7