



US00D788047S

(12) **United States Design Patent** (10) **Patent No.:** **US D788,047 S**  
**Fremuth et al.** (45) **Date of Patent:** **\*\* May 30, 2017**

(54) **TOUCH SCREEN FOR MEDICAL APPARATUS**

(71) Applicant: **Siemens Aktiengesellschaft**, Munich (DE)

(72) Inventors: **Erwin Fremuth**, Grosshabersdorf (DE);  
**Alfred Negraschis**, Roth (DE);  
**Guenther Riedel**, Nuremberg (DE)

(73) Assignee: **Siemens Aktiengesellschaft**, Munich (DE)

(\*\*) Term: **15 Years**

(21) Appl. No.: **29/543,380**

(22) Filed: **Oct. 23, 2015**

(30) **Foreign Application Priority Data**

May 4, 2015 (EM) ..... 001434765

(51) **LOC (10) Cl.** ..... **13-03**

(52) **U.S. Cl.**  
USPC ..... **D13/162; D24/158**

(58) **Field of Classification Search**  
USPC ..... **D13/162, 164, 168; D14/336, 388;**  
**D24/158, 160**

(Continued)

(56) **References Cited**

**U.S. PATENT DOCUMENTS**

5,941,824 A \* 8/1999 Hwang ..... A61B 8/00  
600/437

D558,152 S \* 12/2007 Tatsuyama ..... D13/162  
(Continued)

*Primary Examiner* — Selina Sikder

(74) *Attorney, Agent, or Firm* — Schiff Hardin LLP

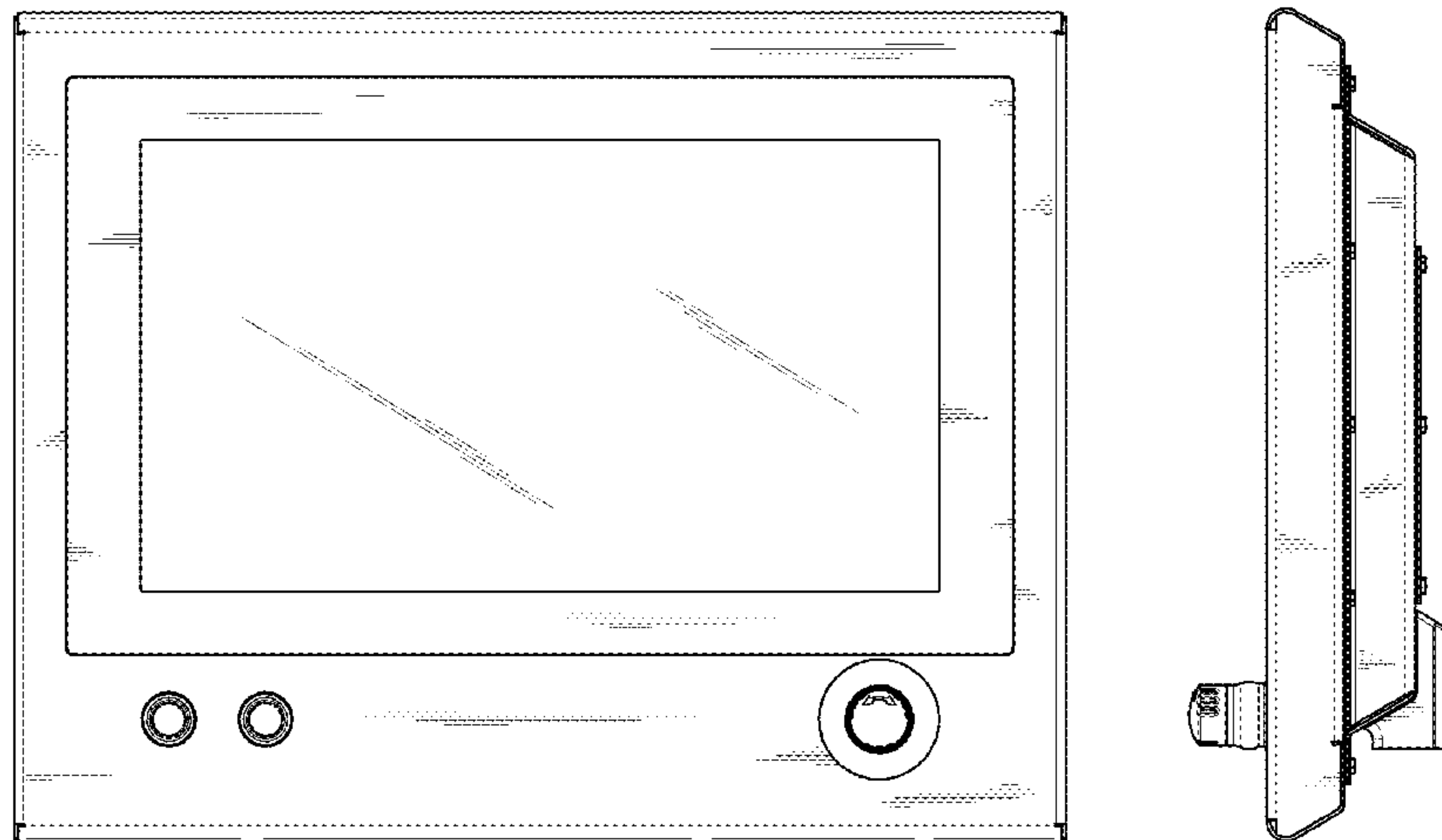
(57) **CLAIM**

The ornamental design for a touch screen for medical apparatus, as shown and described.

**DESCRIPTION**

FIG. 1 is a front elevational view of a first embodiment of touch screen for medical apparatus;  
FIG. 2 is a rear elevational view of touch screen for medical apparatus of FIG. 1;  
FIG. 3 is a top view of touch screen for medical apparatus of FIG. 1;  
FIG. 4 is a bottom view of touch screen for medical apparatus of FIG. 1;  
FIG. 5 is a right side view of touch screen for medical apparatus of FIG. 1;  
FIG. 6 is a left side view of touch screen for medical apparatus of FIG. 1;  
FIG. 7 is a perspective view between a front and a right side of touch screen for medical apparatus of FIG. 1;  
FIG. 8 is a perspective view between a back and a left side of touch screen for medical apparatus of FIG. 1;  
FIG. 9 is an isometric view between a front and a left side of touch screen for medical apparatus of FIG. 1;  
FIG. 10 is a front elevational view of a second embodiment of touch screen for medical apparatus;  
FIG. 11 is a rear elevational view of touch screen for medical apparatus of FIG. 10;  
FIG. 12 is a top view of touch screen for medical apparatus of FIG. 10;  
FIG. 13 is a bottom view of touch screen for medical apparatus of FIG. 10;  
FIG. 14 is a right side view of touch screen for medical apparatus of FIG. 10;  
FIG. 15 is a left side view of touch screen for medical apparatus of FIG. 10;  
FIG. 16 is a perspective view between a front and a right side of touch screen for medical apparatus of FIG. 10;  
FIG. 17 is a perspective view between a back and a left side of touch screen for medical apparatus of FIG. 10; and,  
FIG. 18 is an isometric view between a front and a left side of touch screen for medical apparatus of FIG. 10.

**1 Claim, 18 Drawing Sheets**



(58) **Field of Classification Search**

CPC ..... G06F 3/041; G06F 3/045; G06F 3/0488;  
 G05B 11/01; G05B 19/02; G05B 19/04;  
 G05B 19/05; G05B 19/409; G09F 9/00;  
 A61B 5/00; A61B 5/74; A61B 5/742;  
 A61B 5/7435; A61B 5/7475; A61B 6/00;  
 A61B 6/03; A61B 8/46; A61B 8/461;  
 A61B 8/462; A61B 8/467

See application file for complete search history.

(56) **References Cited**

U.S. PATENT DOCUMENTS

D559,389 S \* 1/2008 Takahashi ..... D24/158  
 D566,597 S \* 4/2008 Schneor ..... D10/103  
 7,427,982 B2 \* 9/2008 Fujii ..... G06F 3/03547  
 345/173  
 7,821,778 B2 \* 10/2010 Herman ..... A61B 5/00  
 361/679.01  
 7,864,158 B1 \* 1/2011 McGeever ..... G05B 19/409  
 345/158  
 D642,992 S \* 8/2011 Sasaki ..... D13/164  
 8,149,222 B2 \* 4/2012 Hsieh ..... G06F 3/041  
 345/173  
 D678,084 S \* 3/2013 Beland ..... D10/50

D690,661 S \* 10/2013 Wisniewski ..... D13/162  
 D694,195 S \* 11/2013 Gammon ..... D13/162  
 8,737,048 B2 \* 5/2014 Fidacaro ..... A61B 5/0002  
 340/870.01  
 8,803,837 B2 \* 8/2014 Glynn ..... A61B 8/12  
 345/173  
 8,805,700 B2 \* 8/2014 Nemoto ..... A61B 6/00  
 600/300  
 D727,271 S \* 4/2015 Shi ..... D13/162  
 D729,793 S \* 5/2015 Hickok ..... D14/126  
 9,031,639 B2 \* 5/2015 Nemoto ..... A61M 5/007  
 378/20  
 9,161,696 B2 \* 10/2015 Al-Ali ..... A61B 5/0002  
 9,414,804 B2 \* 8/2016 Stonefield ..... A61B 8/00  
 D773,405 S \* 12/2016 Daubenmerkl ..... D13/164  
 2004/0095332 A1 \* 5/2004 Blanchard ..... G06F 3/045  
 345/173  
 2004/0164966 A1 \* 8/2004 Lee ..... G06F 3/0488  
 345/173  
 2007/0225590 A1 \* 9/2007 Ramos ..... A61B 8/12  
 600/407  
 2011/0112399 A1 \* 5/2011 Willems ..... A61B 8/00  
 600/437  
 2015/0190114 A1 \* 7/2015 Ninomiya ..... A61B 8/4427  
 600/437

\* cited by examiner

FIG 1

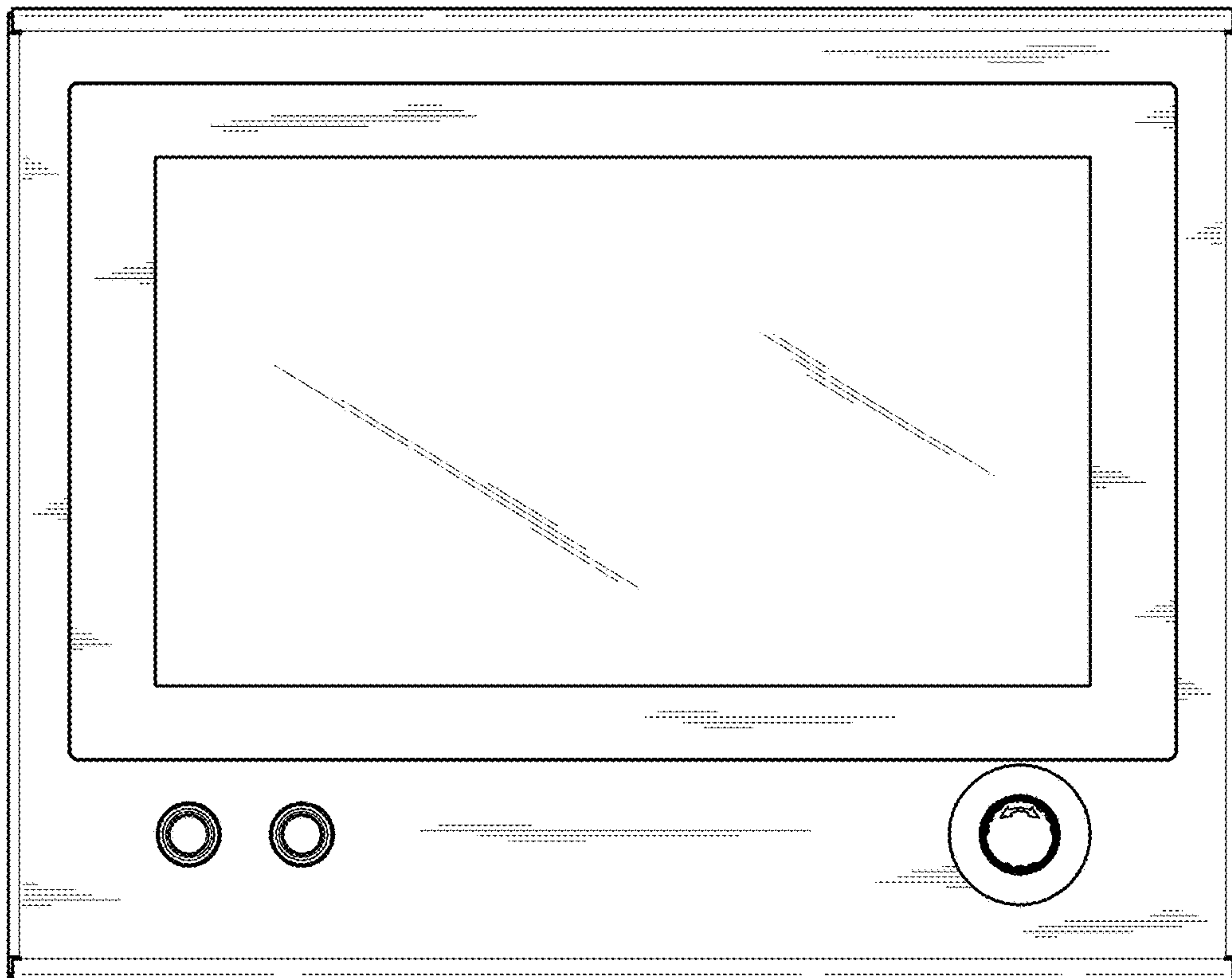


FIG 2

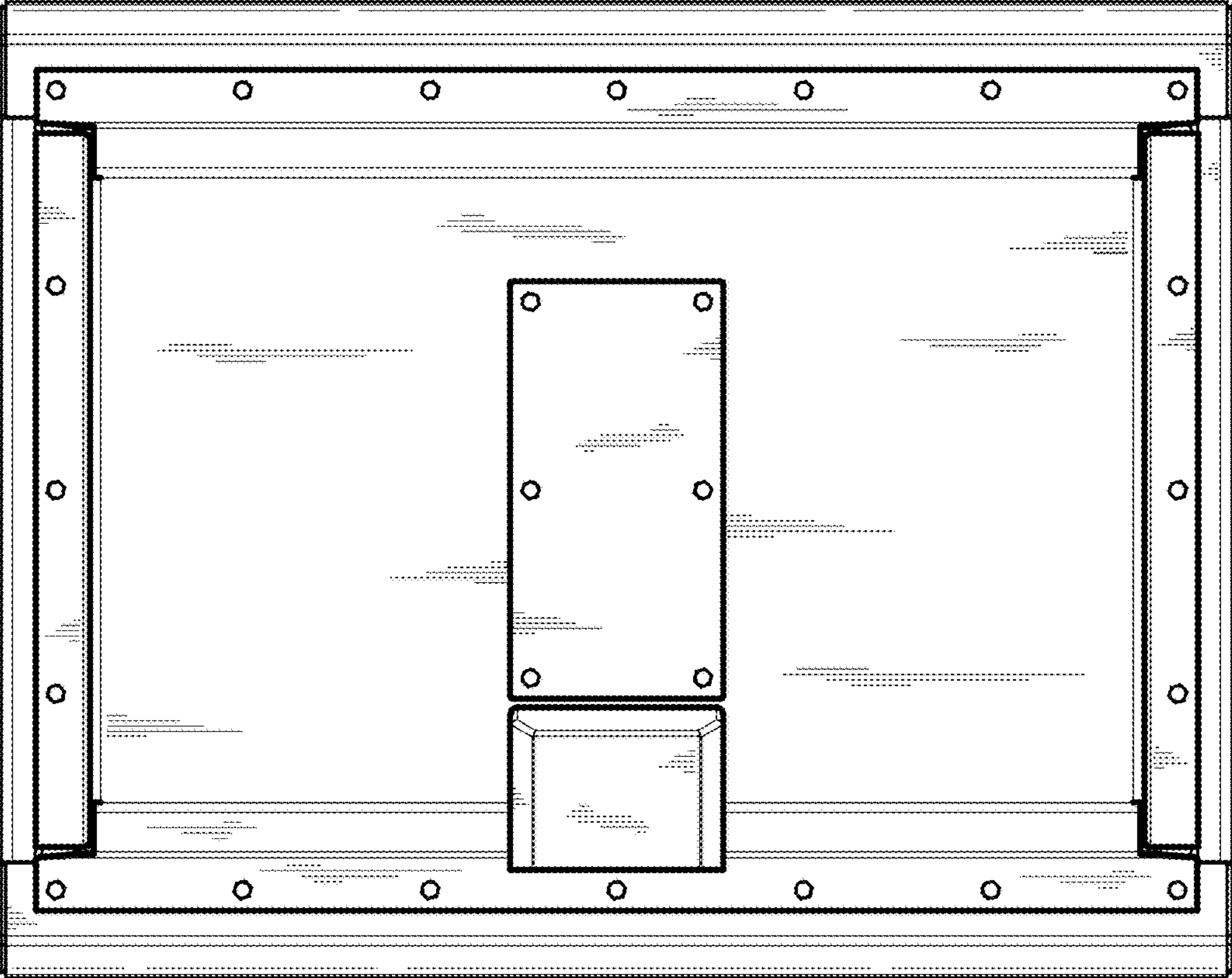


FIG 3

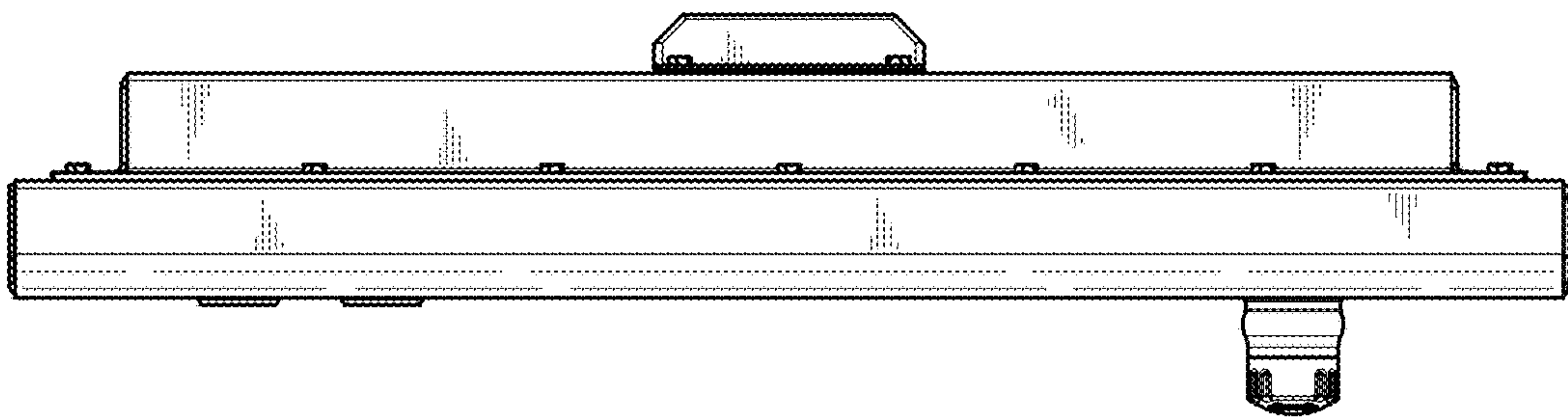




FIG 4

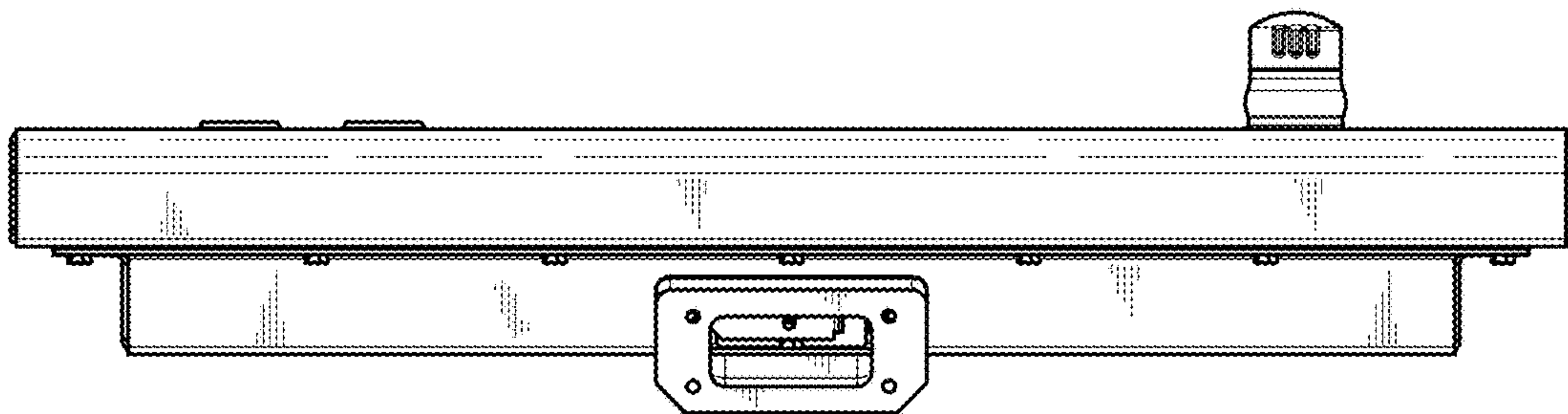


FIG 5

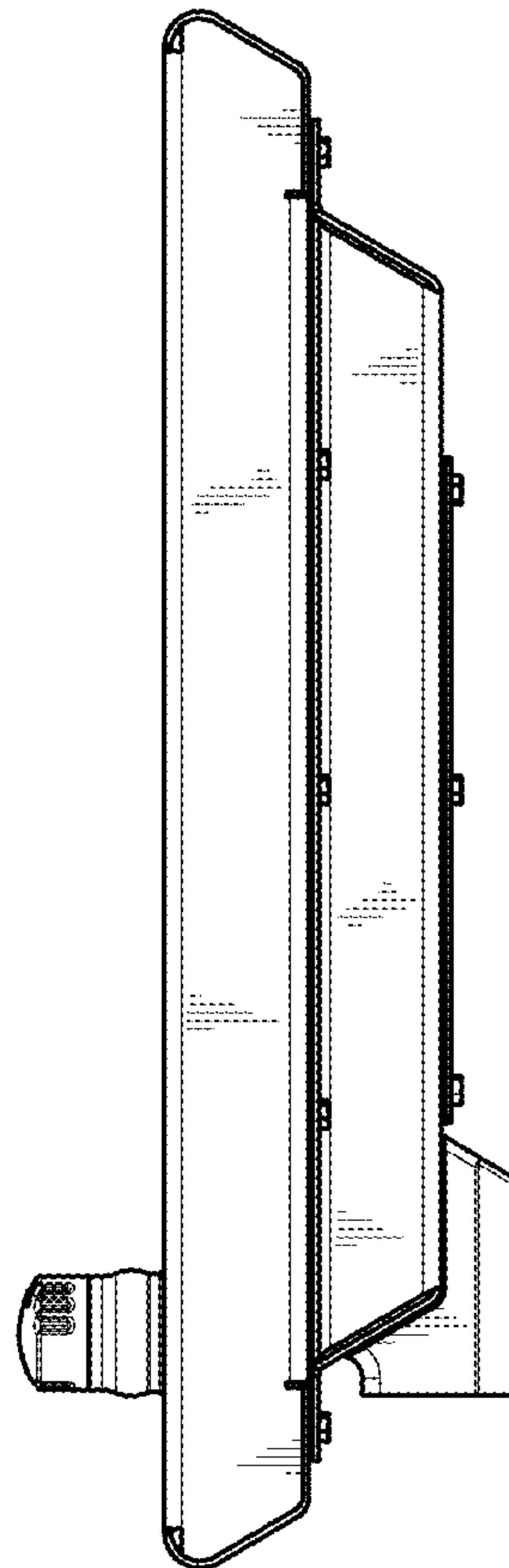


FIG 6

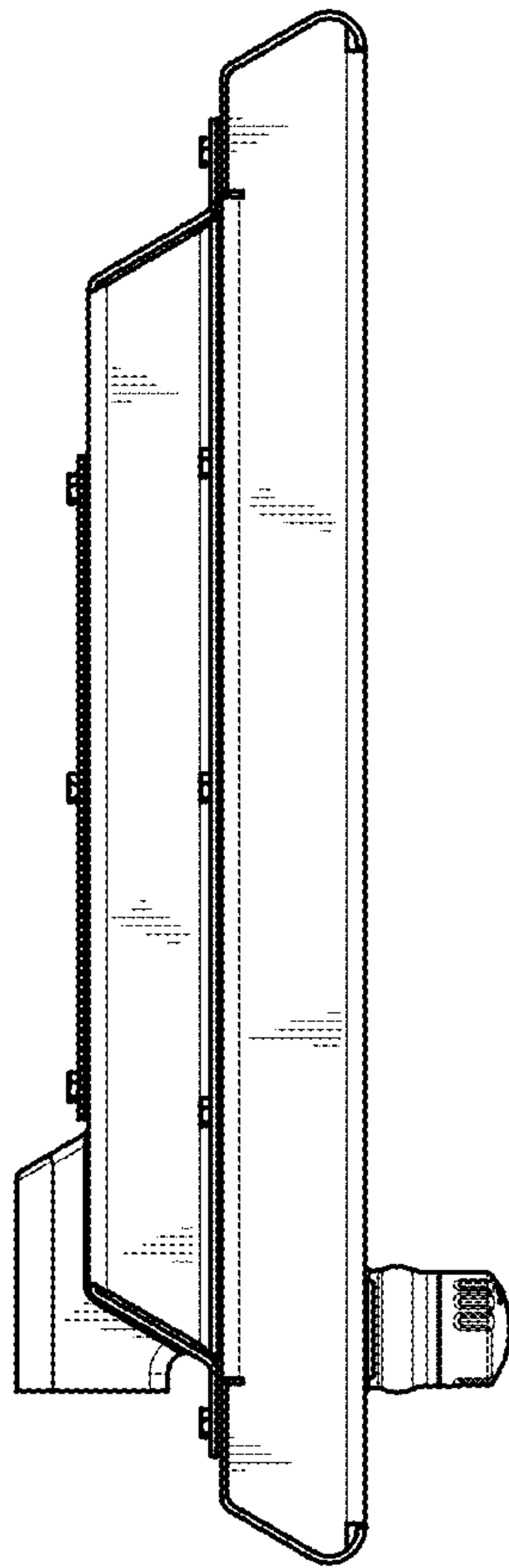




FIG 7

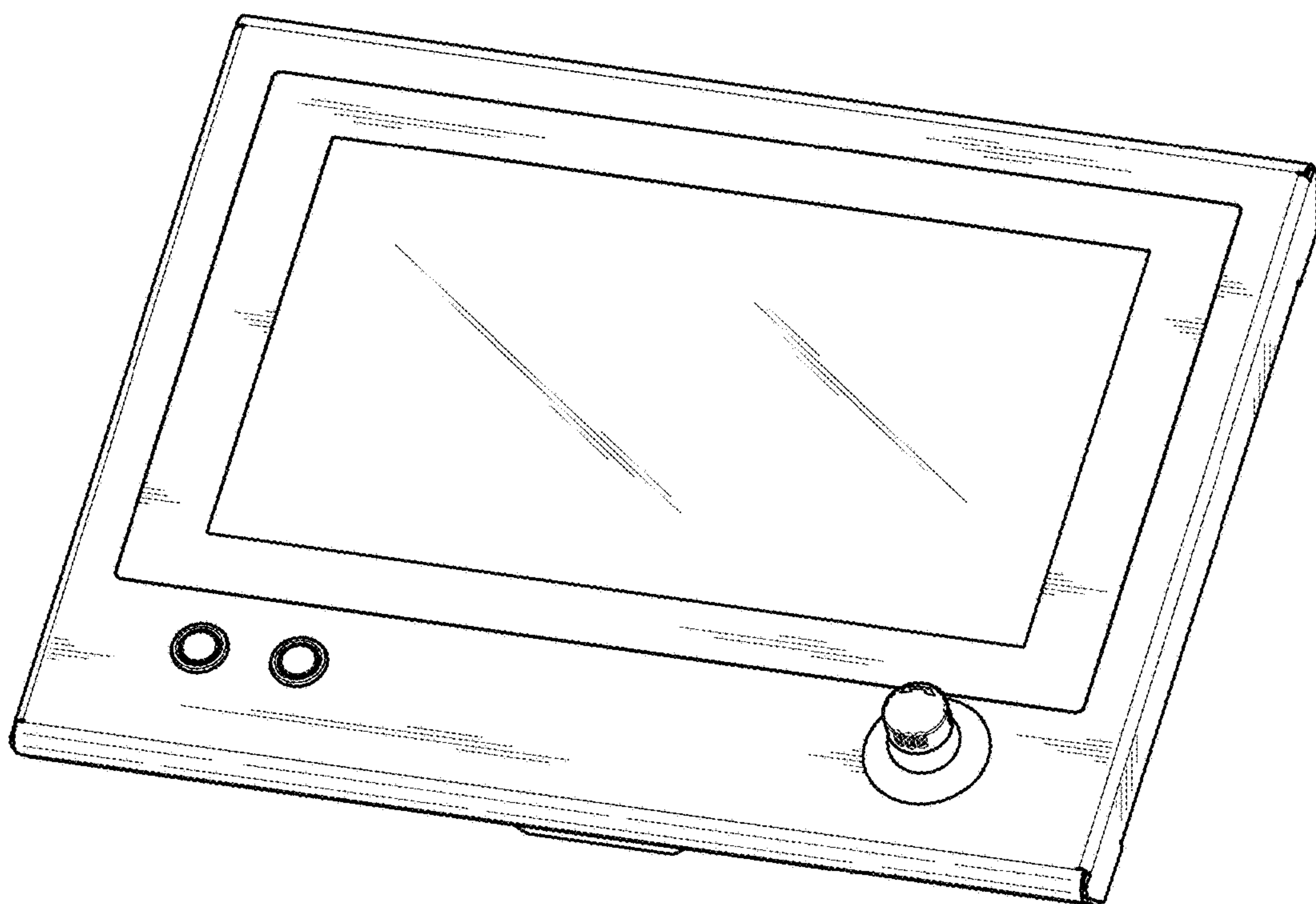


FIG 8

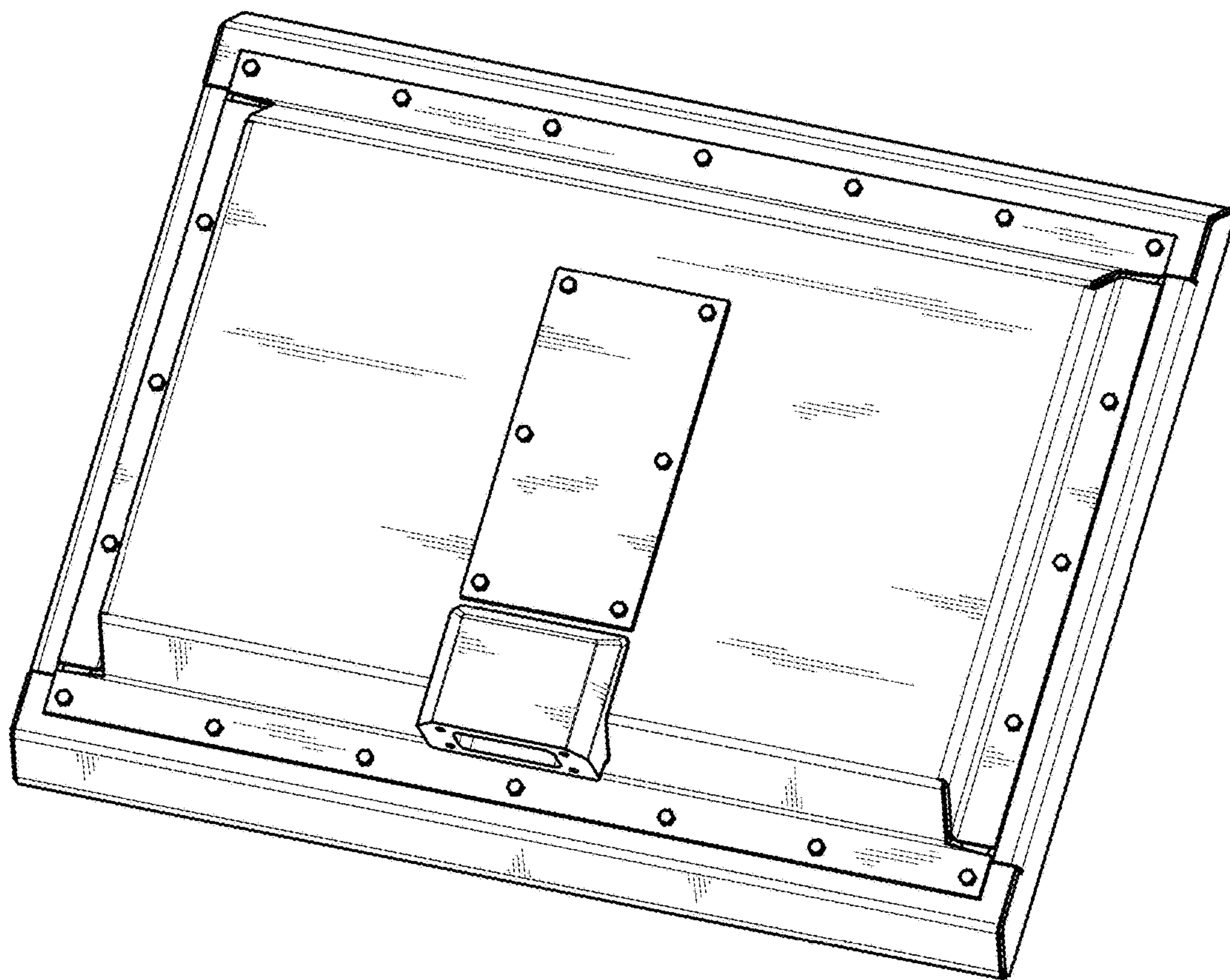


FIG 9

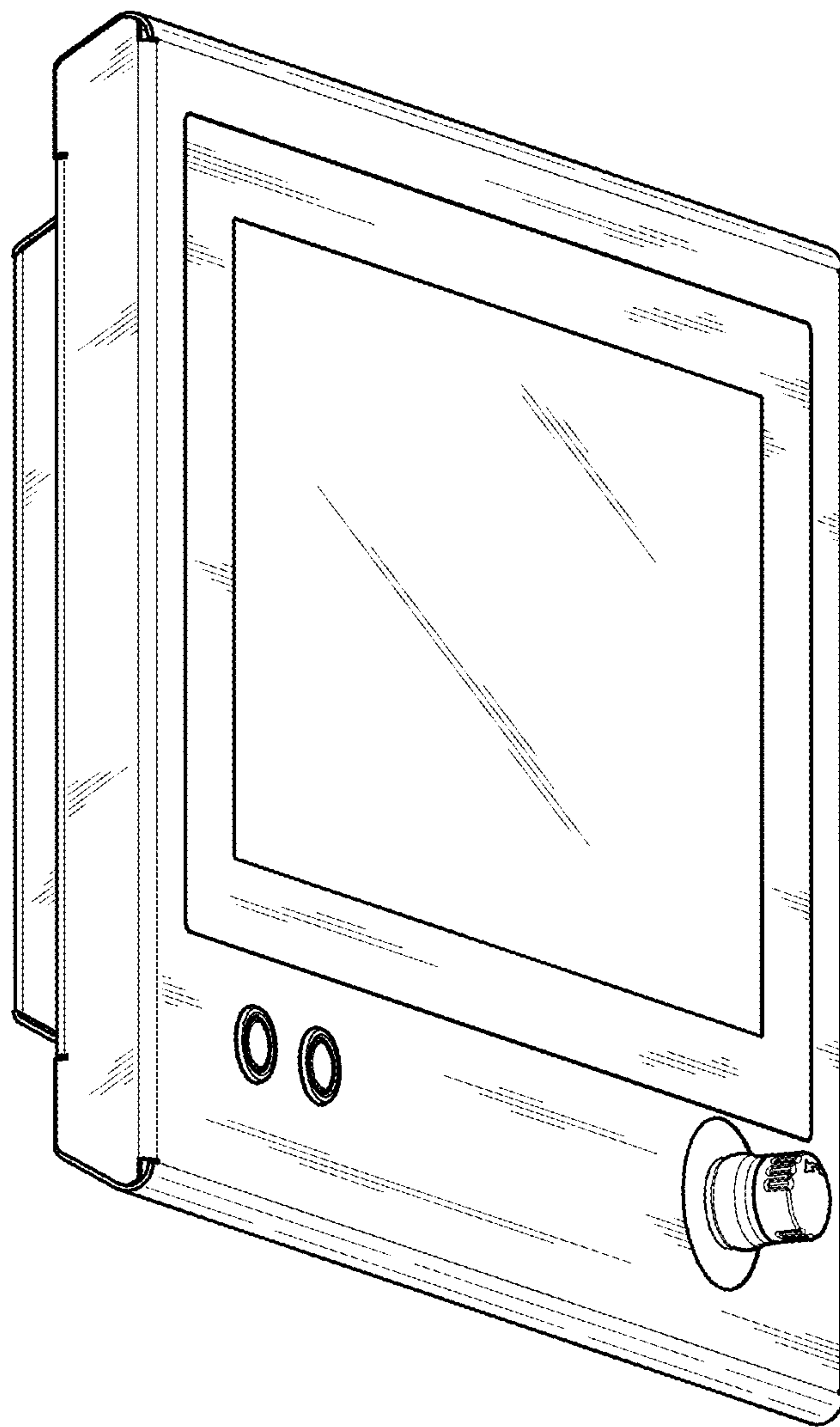


FIG 10

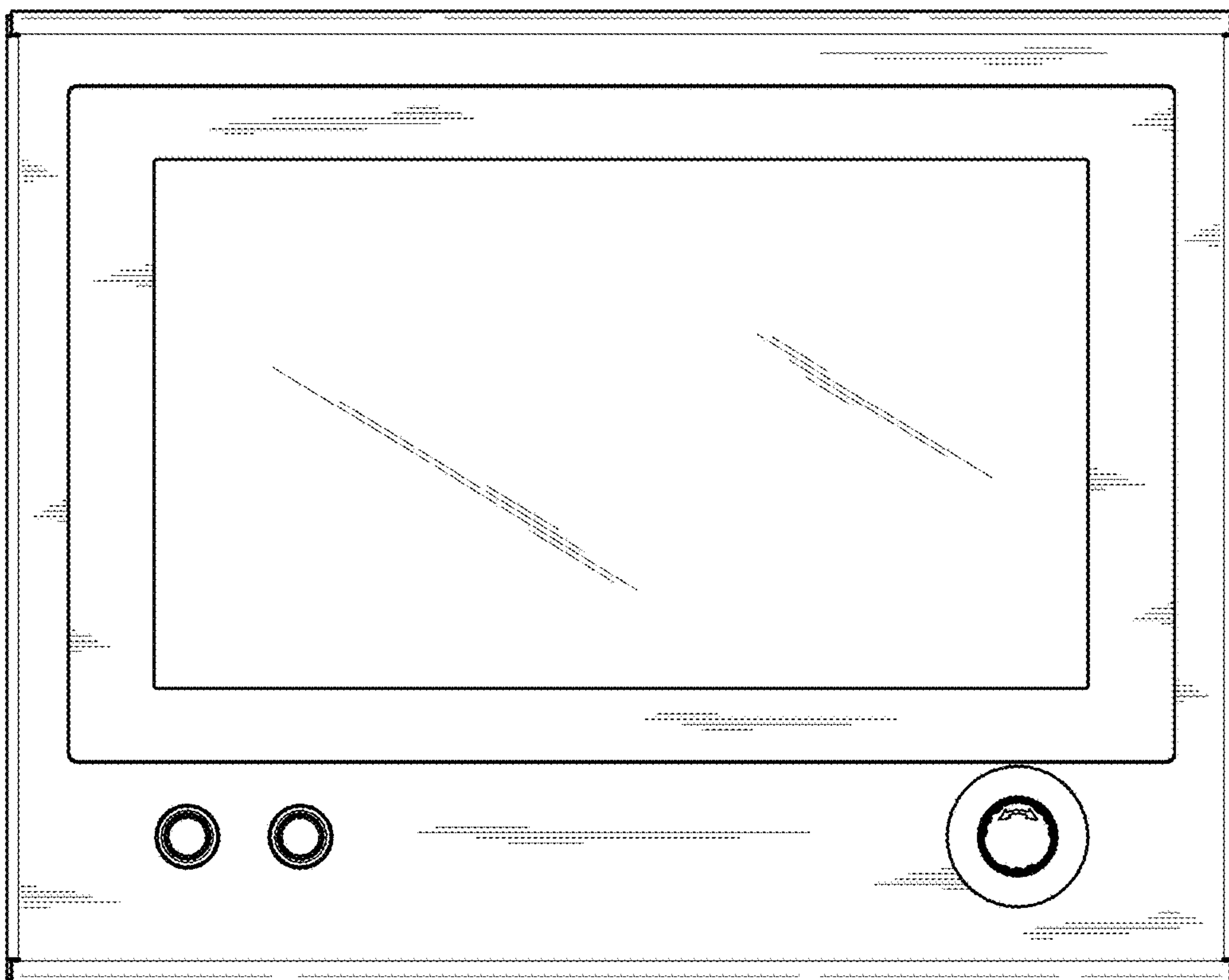


FIG 11

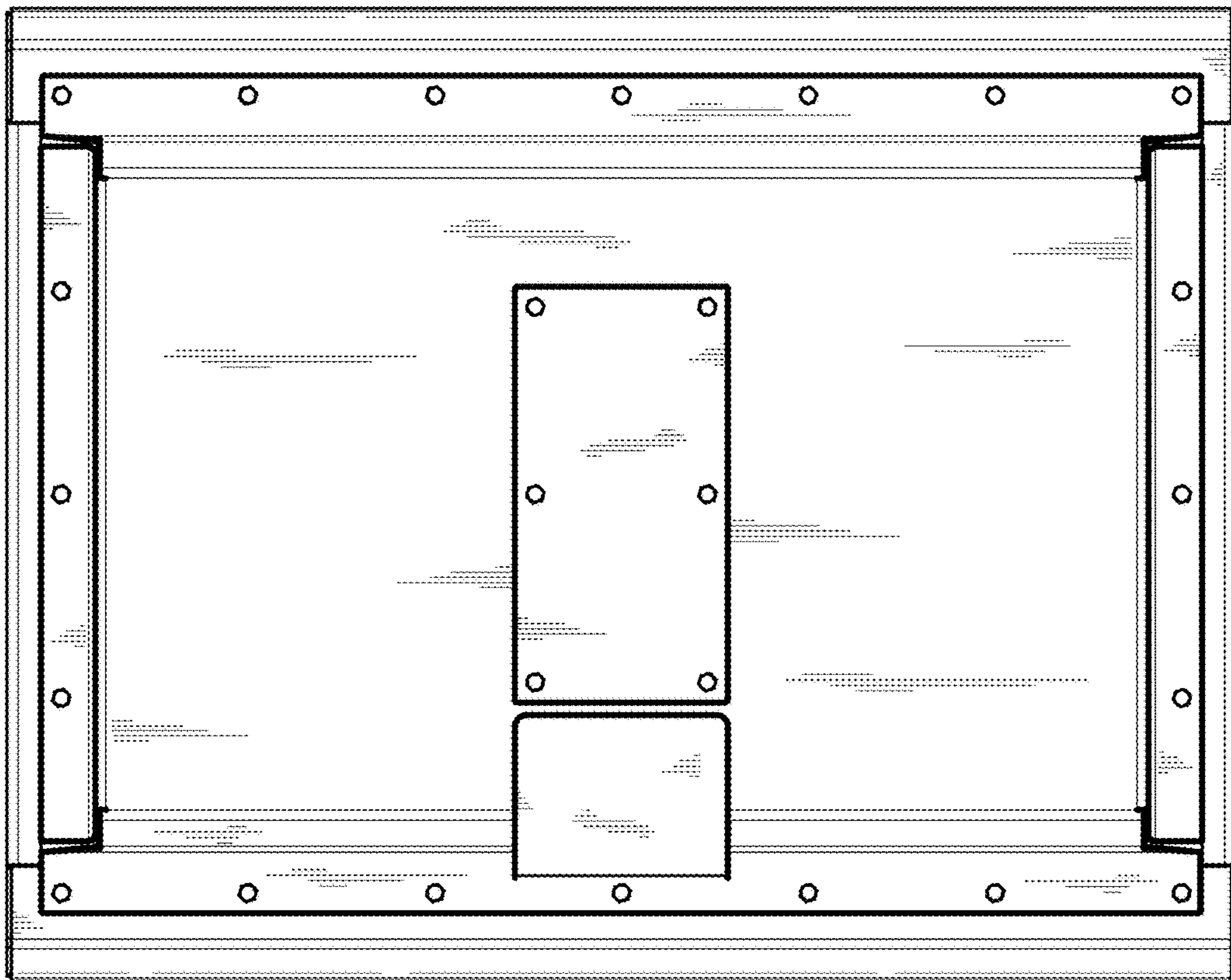


FIG 12

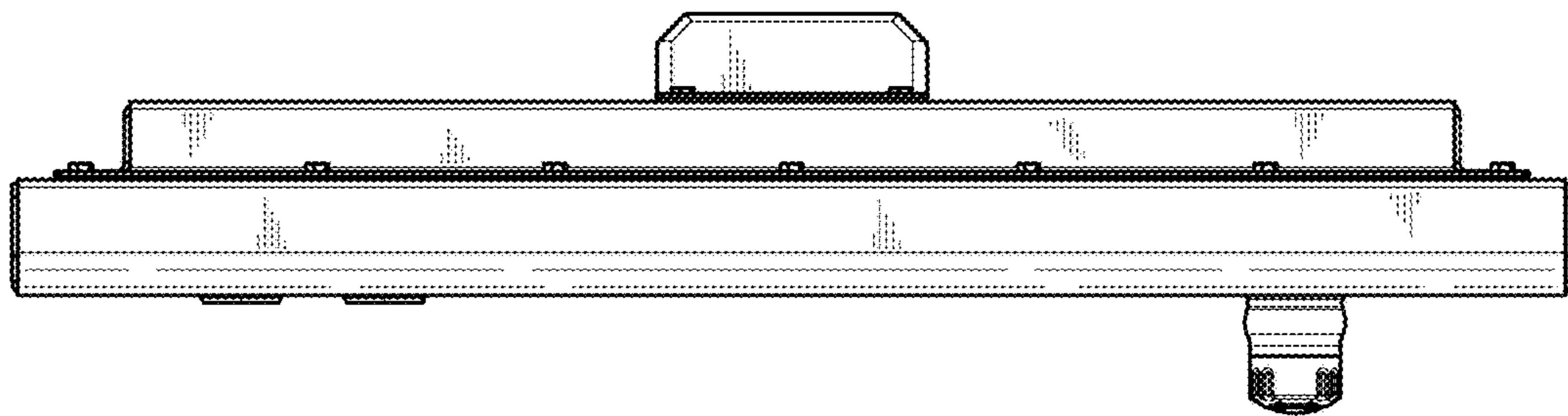




FIG 13

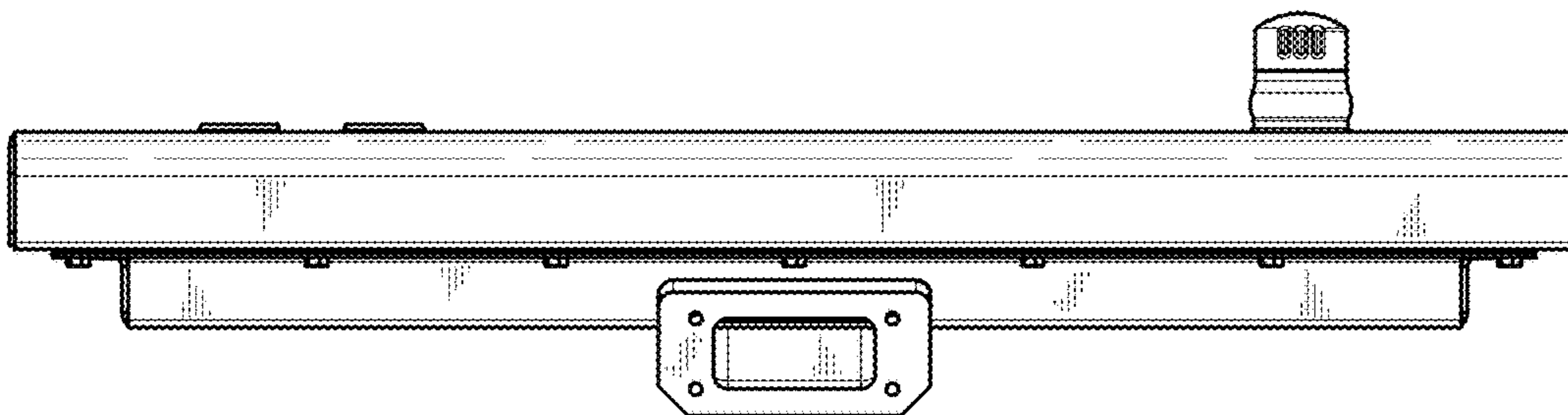


FIG 14

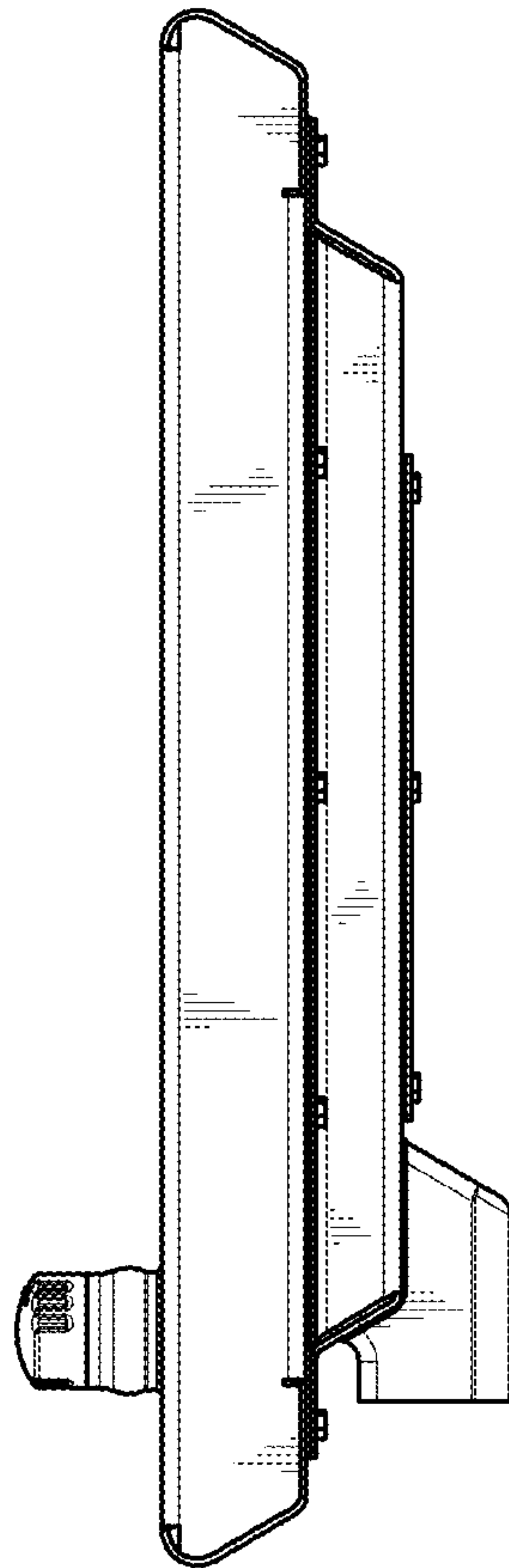


FIG 15

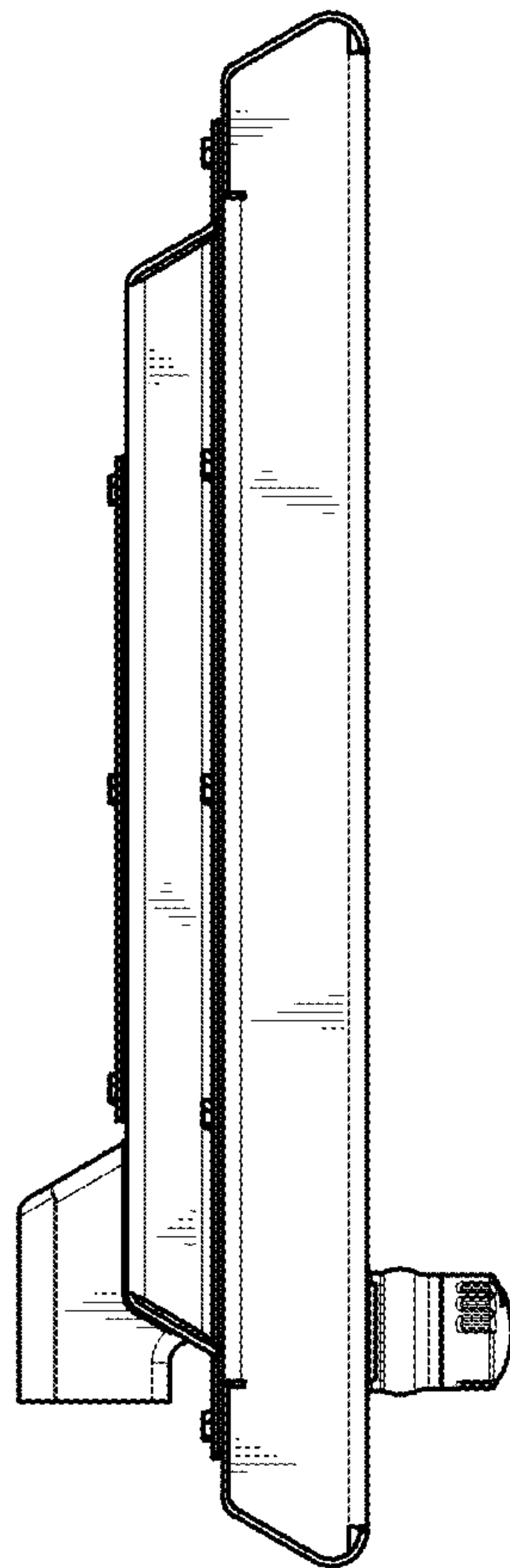


FIG 16

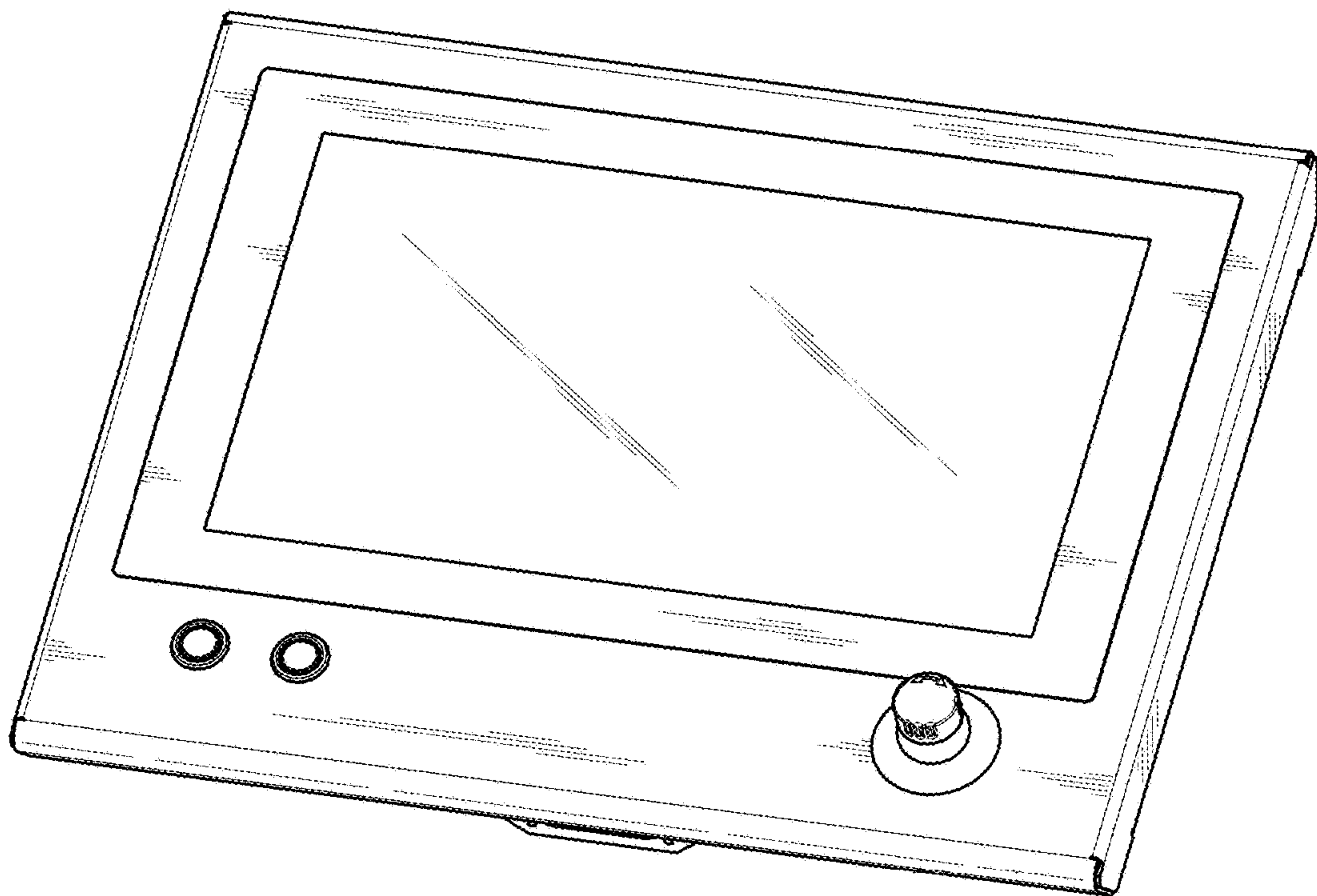


FIG 17

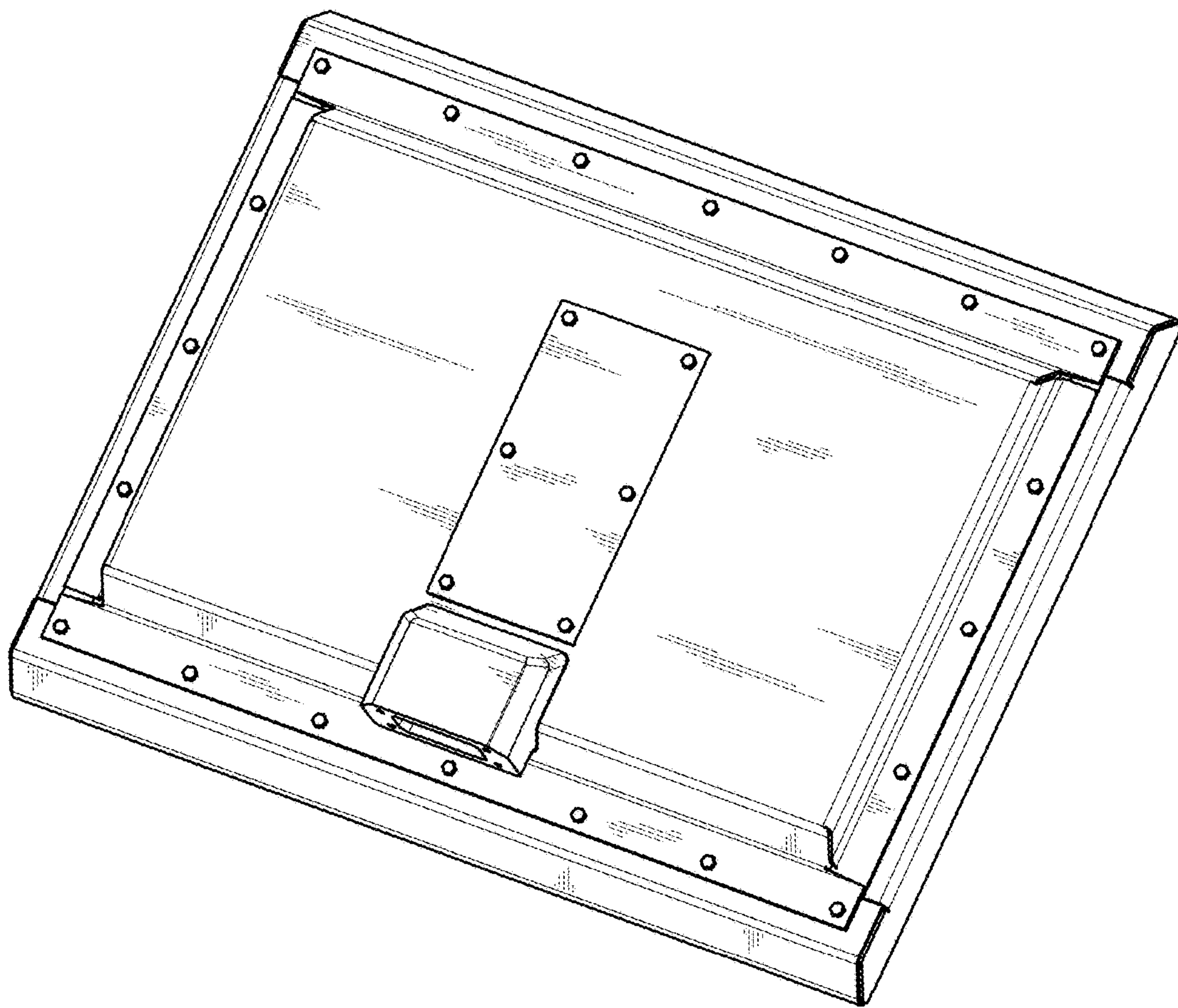


FIG 18

