



US00D788046S

(12) **United States Design Patent**
Oksengendler et al.

(10) **Patent No.:** **US D788,046 S**

(45) **Date of Patent:** **** May 30, 2017**

(54) **WIRELESS CONTROL MODULE**

(71) Applicants: **Alex Oksengendler**, Buffalo Grove, IL (US); **Marc Hoffknecht**, Newmarket (CA); **Darko Stjepanovic**, Toronto (CA)

(72) Inventors: **Alex Oksengendler**, Buffalo Grove, IL (US); **Marc Hoffknecht**, Newmarket (CA); **Darko Stjepanovic**, Toronto (CA)

(73) Assignee: **OSRAM SYLVANIA Inc.**, Wilmington, MA (US)

(**) Term: **15 Years**

(21) Appl. No.: **29/537,260**

(22) Filed: **Aug. 24, 2015**

(51) **LOC (10) Cl.** **13-03**

(52) **U.S. Cl.**
USPC **D13/162; D14/358**

(58) **Field of Classification Search**
USPC D14/356-358, 388, 496, 137, 140, 155, D14/225, 226, 230, 240, 242, 243, 299, D14/300; D13/162, 162.1, 164, 168, D13/171-174, 184, 199; D10/46, 104.1,
(Continued)

(56) **References Cited**

U.S. PATENT DOCUMENTS

D71,165 S * 9/1926 Suren D10/102
D304,944 S * 12/1989 Behringer D14/188
D308,647 S * 6/1990 Mayo D10/104.1
(Continued)

OTHER PUBLICATIONS

OSRAM-ZBHA-CLM-DIM Connected lighting Module.
lightingindia.in. (online Image) 1 pg. [retrieved on Oct. 5, 2016]

<http://www.lightingindia.in/uploads/2255/09%20%20%20Osram%20Sylvania.jpg>*

(Continued)

Primary Examiner — Susan Bennett Hattan

Assistant Examiner — Marie Fast Horse

(74) *Attorney, Agent, or Firm* — Shaun P. Montana

(57) **CLAIM**

The ornamental design for a wireless control module, as shown and described.

DESCRIPTION

The present application is related to U.S. Design patent application Ser. No. 29/525,165, filed Apr. 27, 2015 and entitled "Wireless Control Module", and to U.S. Design patent application Ser. No. 29/525,912, filed May 4, 2015 and entitled "Wireless Control Module", the entire contents of both of which are hereby incorporated by reference.

FIG. 1 is a front perspective view of an embodiment of a wireless control module showing our new design;

FIG. 2 is a front view thereof;

FIG. 3 is a right side view thereof;

FIG. 4 is a back view thereof;

FIG. 5 is a left side view thereof;

FIG. 6 is a top view thereof;

FIG. 7 is a bottom view thereof; and

FIG. 8 is a back perspective view thereof.

FIG. 9 is a front perspective view of another embodiment of the wireless control module showing our new design.

FIG. 10 is a front view thereof;

FIG. 11 is a right side view thereof;

FIG. 12 is a back view thereof;

FIG. 13 is a left side view thereof;

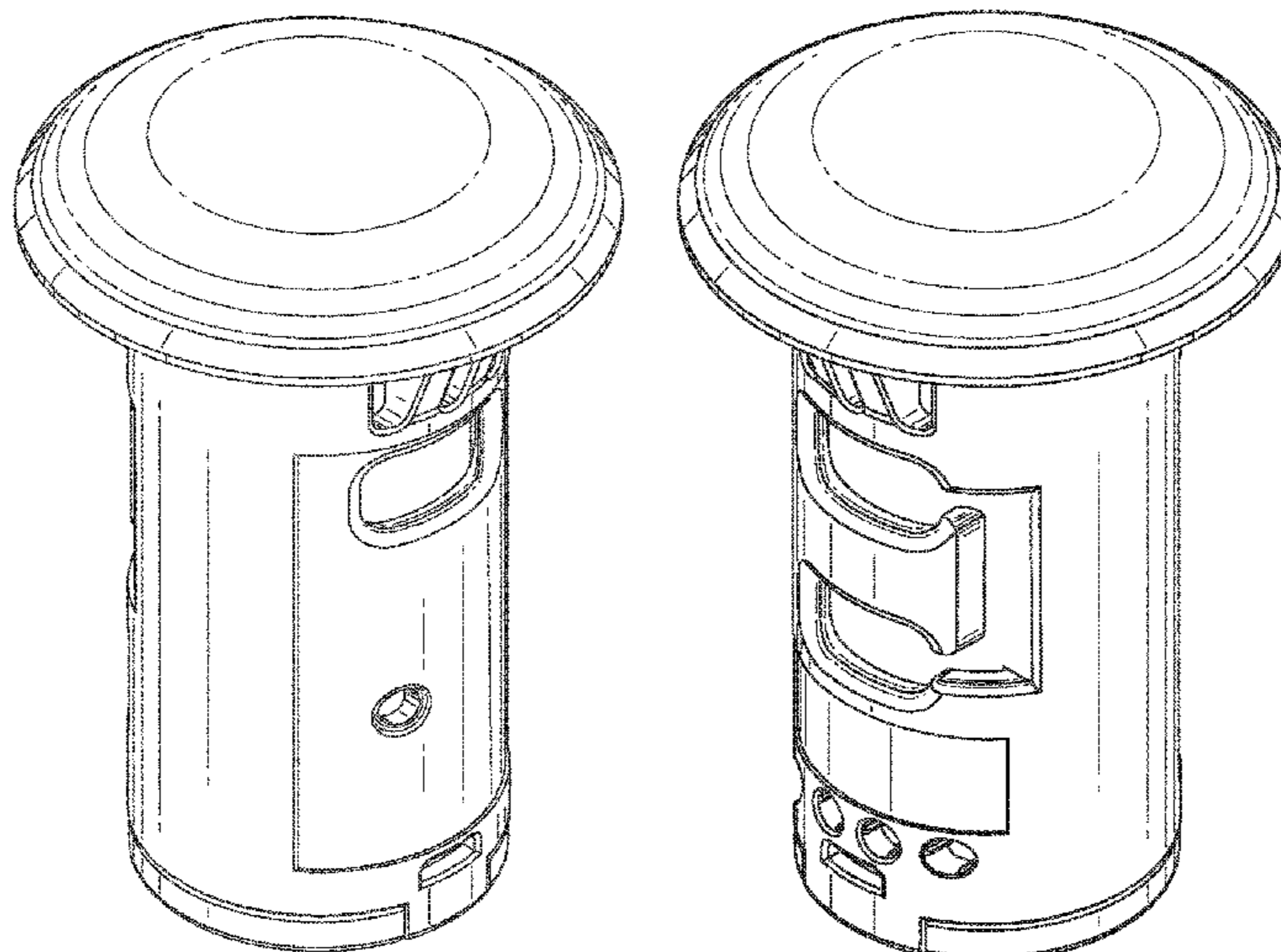
FIG. 14 is a top view thereof;

FIG. 15 is a bottom view thereof; and,

FIG. 16 is a back perspective view thereof.

The broken lines shown in the Figures are environmental and form no part of the claimed design.

1 Claim, 14 Drawing Sheets



(58) **Field of Classification Search**

USPC D10/106.1, 106.2, 106.3, 106.6, 106.9;
D26/113, 118
CPC H05B 33/0833; H05B 33/0839; H05B
33/0842; H05B 33/0884; H05B 33/0845;
H05B 33/086; H05B 33/0863; H05B
33/0896; H05B 37/02; H05B 37/0272;
H05B 37/0227

See application file for complete search history.

(56) **References Cited**

U.S. PATENT DOCUMENTS

D310,064 S * 8/1990 Cheng D13/151
D310,065 S * 8/1990 Cheng D13/134
5,214,354 A * 5/1993 Johnson H01K 1/62
315/208
D338,206 S * 8/1993 Sawaguchi D14/230
D346,151 S * 4/1994 Zaugg D13/158
D354,730 S * 1/1995 Collins D13/125
D362,841 S * 10/1995 Roza D13/171
D374,187 S * 10/1996 Phelps D10/104.1
D389,461 S * 1/1998 Mayo D13/164
D389,805 S * 1/1998 Mayo D13/164
D395,037 S * 6/1998 Mayo D13/164
D399,154 S * 10/1998 Proctor D10/104.1
D432,998 S * 10/2000 Decosse D13/174
D441,346 S * 5/2001 Bonn D13/174
D445,407 S * 7/2001 Bonn D13/174
6,396,040 B1 * 5/2002 Hill G02B 7/28
250/201.2
D482,662 S * 11/2003 Foster D13/162
D506,404 S * 6/2005 Kaczmarek D10/104.1
D525,586 S * 7/2006 Blake D13/123
D555,605 S * 11/2007 Parnell D13/171
D559,797 S * 1/2008 Neveu D13/174
D561,707 S * 2/2008 Neveu D13/174
7,333,903 B2 * 2/2008 Walters G06Q 30/04
315/119
D600,642 S * 9/2009 Biery D13/134
D602,388 S * 10/2009 Killo D10/106.1
7,637,766 B2 * 12/2009 Kauffman G01J 1/02
439/337
D610,990 S * 3/2010 Biery D13/134
D625,638 S * 10/2010 Lodi D10/106.9
D626,963 S * 11/2010 Kim D14/420
D631,770 S * 2/2011 Killo D10/106.5
D635,476 S * 4/2011 Killo
8,038,481 B1 * 10/2011 Creighton H01R 33/9456
439/660
D662,065 S * 6/2012 Cook D13/168
D665,290 S * 8/2012 Bhate D10/106.6
8,398,435 B2 * 3/2013 Aurongzeb H01R 13/625
439/607.41
D682,131 S * 5/2013 Bhate D10/106.6
D685,790 S * 7/2013 Tang D14/218
D687,328 S * 8/2013 Clymer D10/104.1
D690,668 S * 10/2013 Jacoby D13/174
D692,171 S * 10/2013 Randolph D26/67
D692,898 S * 11/2013 Luijben D14/447
D704,177 S * 5/2014 Chun D14/240
D704,178 S * 5/2014 Kwak D14/240
D714,742 S * 10/2014 Chambers D13/174
8,853,950 B1 * 10/2014 Chang H05B 37/02
315/119
D720,305 S * 12/2014 Wenji D13/174
D722,981 S * 2/2015 Livschitz D13/162
D724,583 S * 3/2015 Ge D14/356

D725,088 S * 3/2015 Kwak D14/240
D730,349 S * 5/2015 Burmeister-Brown D14/240
D739,284 S * 9/2015 Vu D10/103
D739,359 S * 9/2015 Creasman D13/165
D743,914 S * 11/2015 Hobson D13/165
D750,314 S * 2/2016 Hobson D26/118
9,335,037 B2 * 5/2016 Peeters F21V 23/008
D758,325 S * 6/2016 Cook D13/168
D760,221 S * 6/2016 Maruyama D14/357
9,414,466 B2 * 8/2016 Dvash H05B 37/0236
2004/0212993 A1 * 10/2004 Morgan F21V 33/004
362/231
2009/0121905 A1 * 5/2009 Griffin, Jr. G08C 17/02
341/35
2009/0128262 A1 * 5/2009 Lee H01Q 9/0485
333/219.1
2010/0244709 A1 * 9/2010 Steiner G01J 1/02
315/158
2010/0264737 A1 * 10/2010 Chandler H05B 33/0854
307/66
2010/0327754 A1 * 12/2010 Schenk H05B 37/02
315/151
2011/0057576 A1 * 3/2011 Otake H05B 33/0803
315/291
2012/0282815 A1 * 11/2012 Aurongzeb H01R 13/625
439/660
2013/0088154 A1 * 4/2013 Van Hoof H05B 37/02
315/152
2013/0181623 A1 * 7/2013 Uhara H05B 33/0851
315/193
2013/0210252 A1 * 8/2013 Ilyes G08C 19/00
439/226
2014/0001846 A1 * 1/2014 Mosebrook H04L 12/2816
307/11
2014/0070703 A1 * 3/2014 Chen H05B 33/0803
315/113
2014/0225526 A1 * 8/2014 Jonsson H05B 37/02
315/291
2014/0354184 A1 * 12/2014 Matsuki G03B 9/02
315/307
2016/0035217 A1 * 2/2016 Camden G08C 17/02
340/12.5
2016/0224036 A1 * 8/2016 Baker H04W 4/02

OTHER PUBLICATIONS

OSRAM Connected Lighting Module Wins Lightfair Innovation Award. osram-americas.com. (online) 2 pgs. May 13, 2016 [retrieved on Oct. 5, 2016] <https://www.osram-americas.com/en-us/newsroom/press-releases/Pages/OSRAM-Connected-Lighting-Module-Wins-LIGHTFAIR-Innovation-Award.aspx>.
Controls-OSRAM Connected Lighting Module. osram-americas.com. (online) 1 pg. [retrieved on Oct. 6, 2016] <https://www.osram-americas.com/en-us/products/solid-state-lighting-led/Pages/Controls.aspx>.
Wireless Control Module and Lighting Control (Design — © Questel). orbit.com [online PDF] 155 pages. Print Dates range from Jul. 16, 1998 to Mar. 23, 2016 [retrieved on Oct. 6, 2016] <https://sobjprd.questel.fr/export/QPTUJ214/pdf2/ed075aa7-41d4-4e05-af51-60bad7da9c7d-175058.pdf>.
Connected Lighting Module (LMS107). sylvania.com. (online PDF) 3 pgs. Jun. 22, 2016 [retrieved on Oct. 6, 2016] https://assets.sylvania.com/assets/Documents/LMS107_ConnectedLightingModule.28d94dab-9108-4715-98bb-760c2989f539.pdf.

* cited by examiner

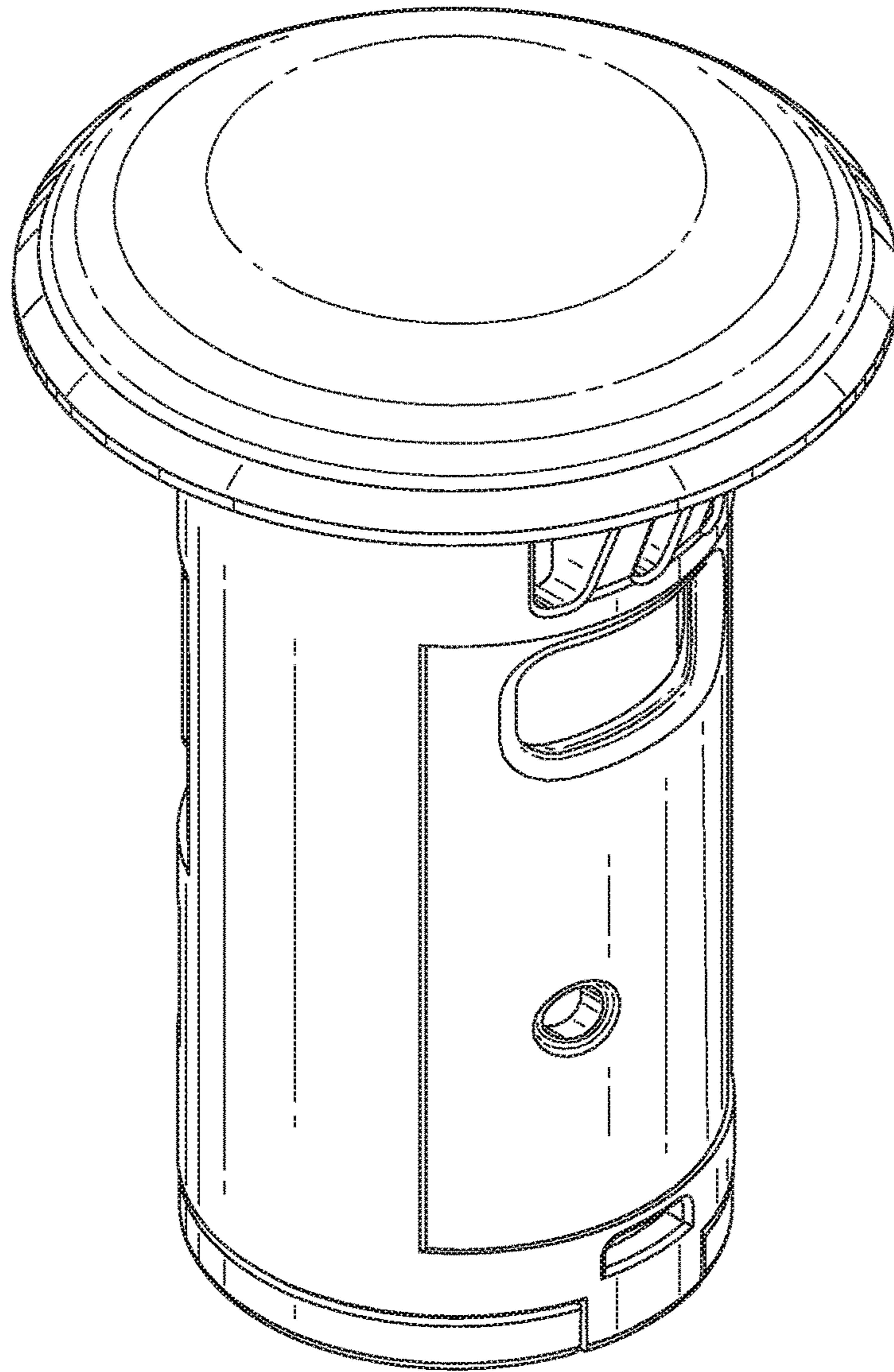


FIG. 1

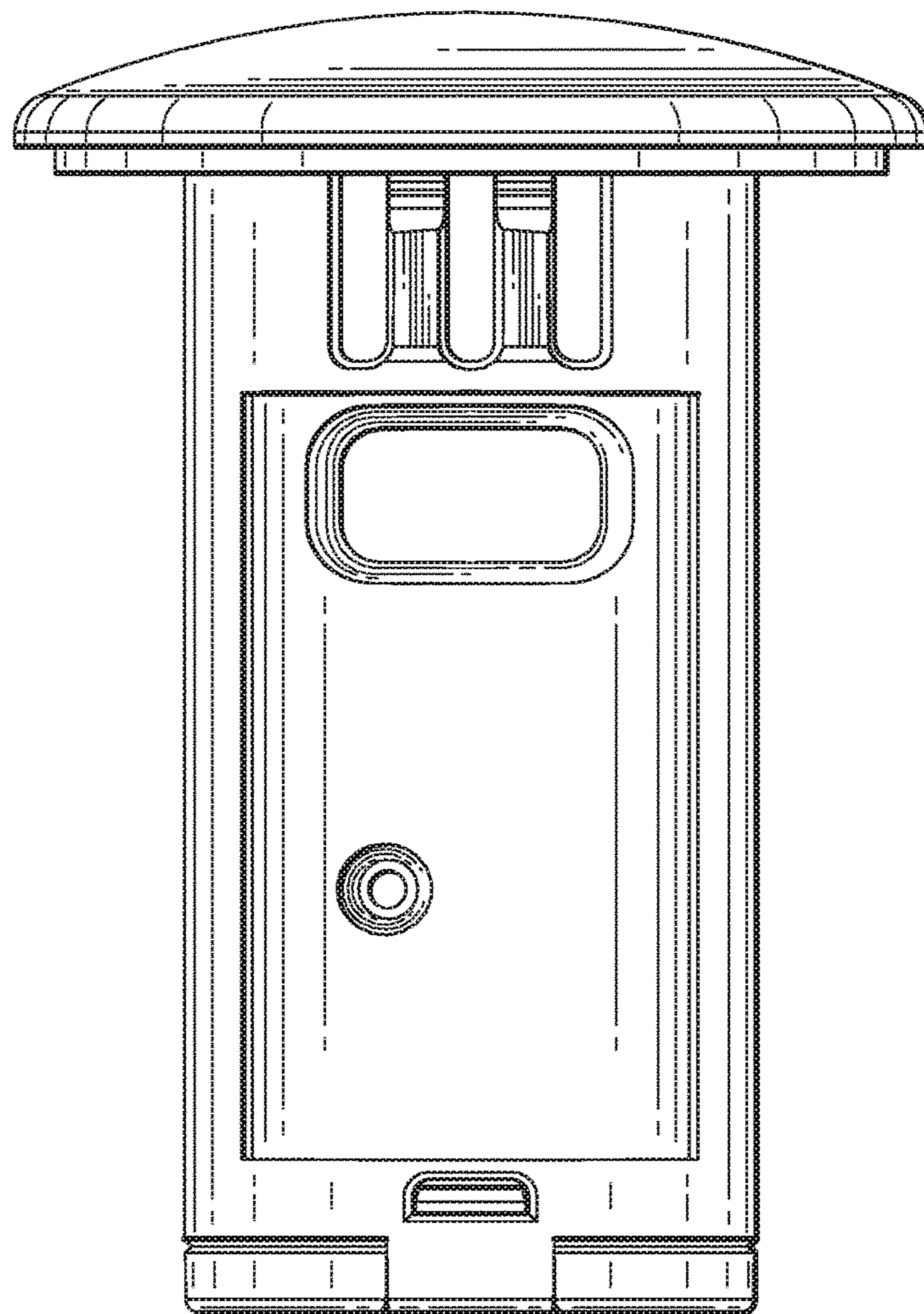


FIG. 2

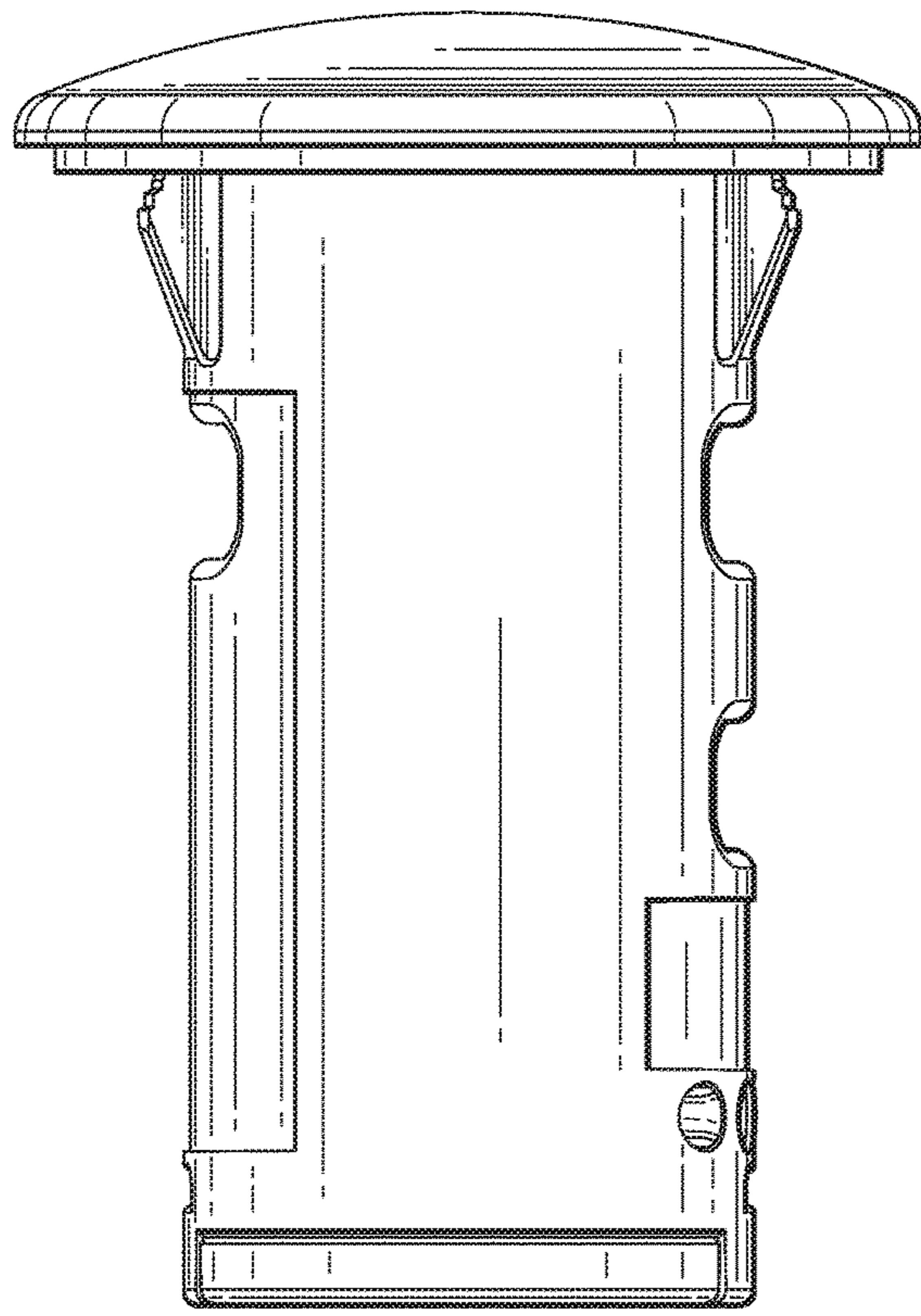


FIG. 3

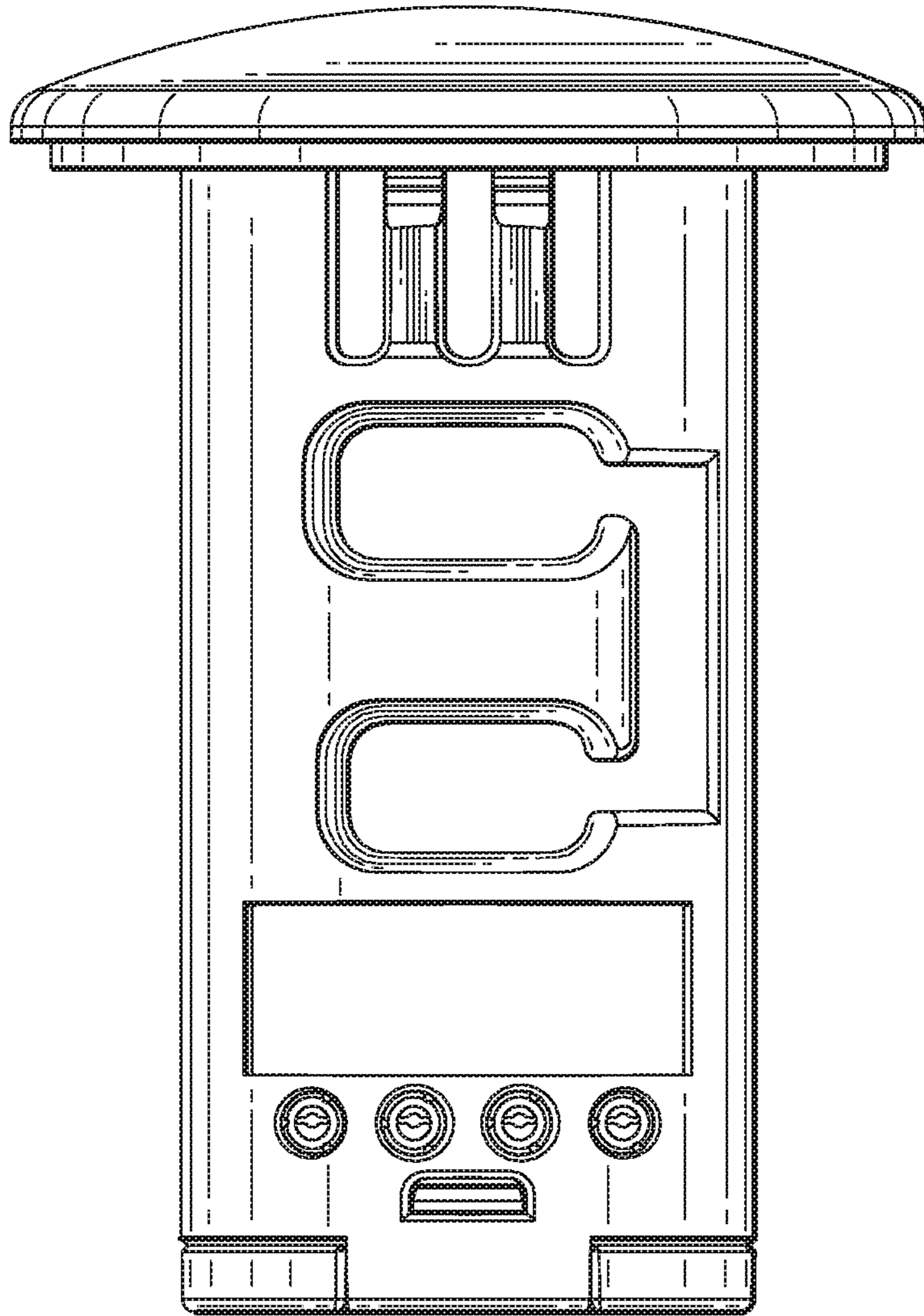


FIG. 4

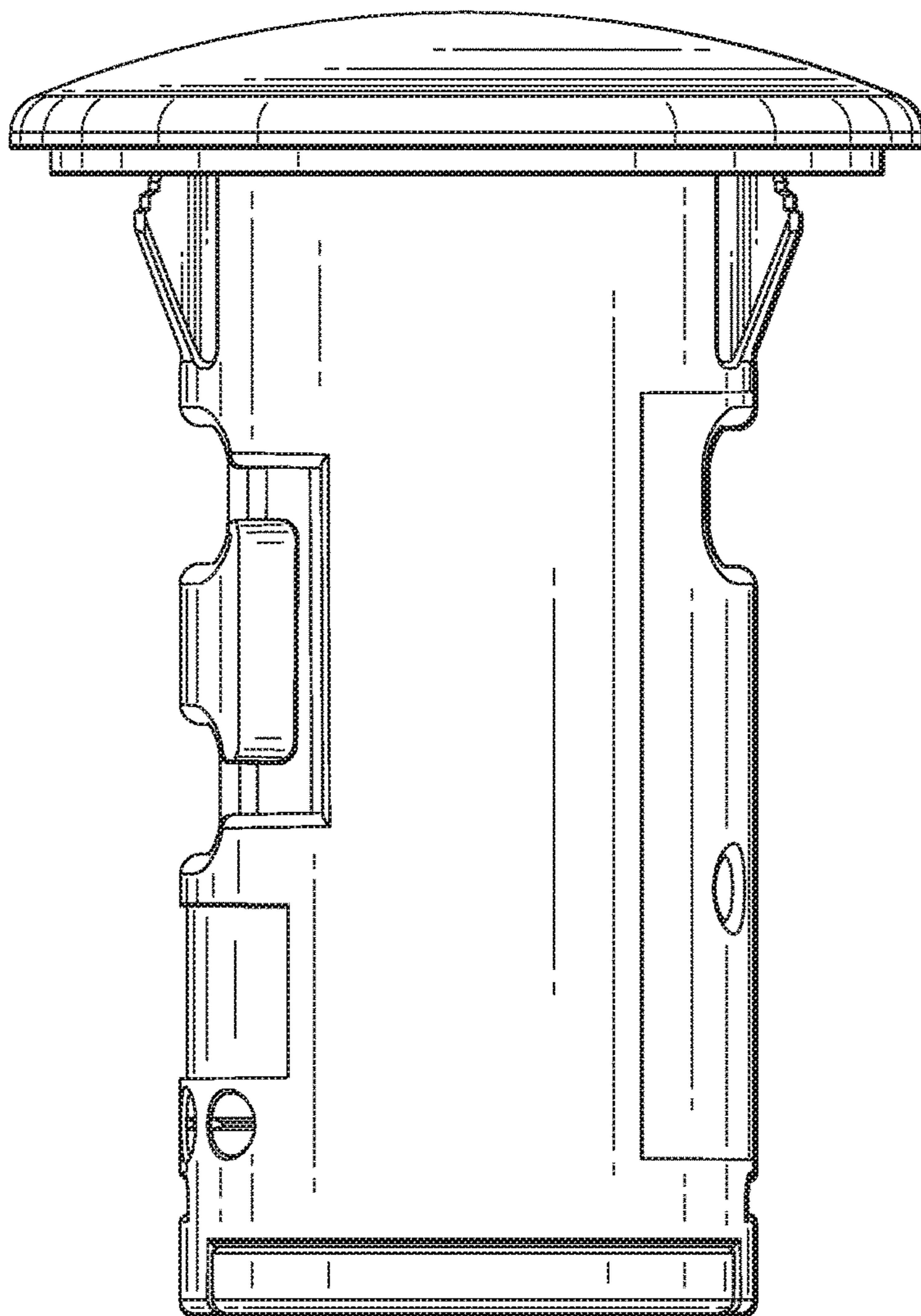


FIG. 5

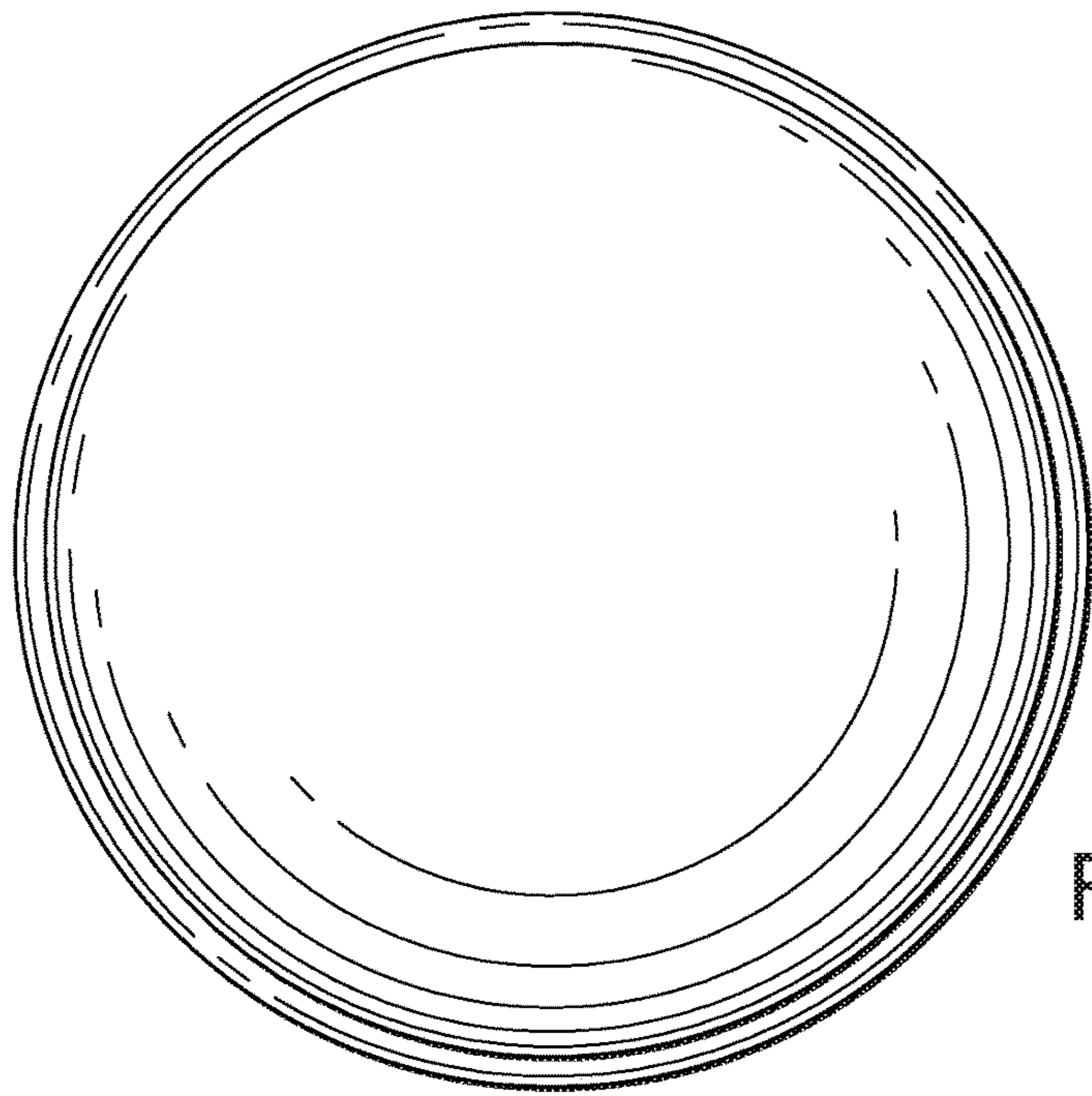


FIG. 6

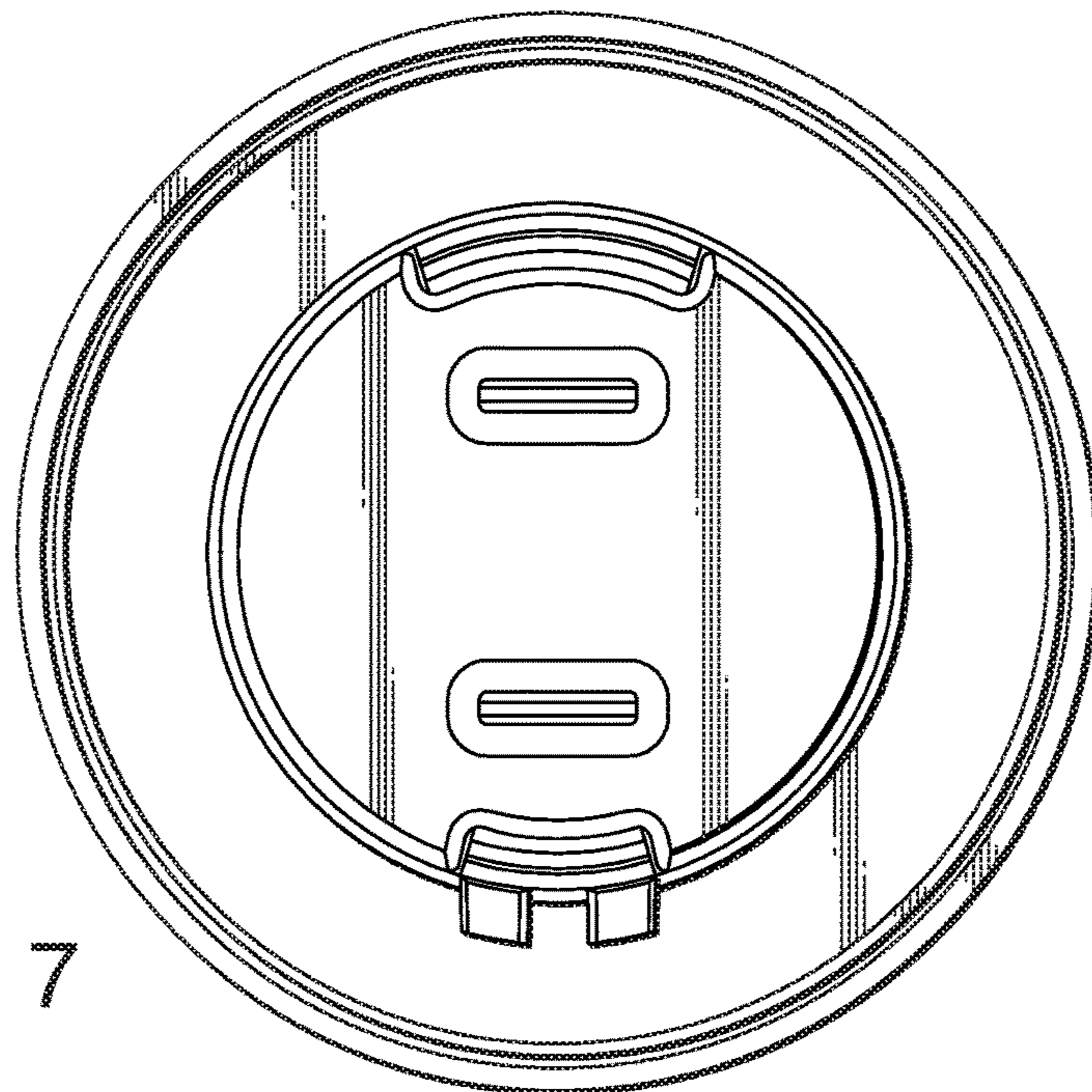


FIG. 7

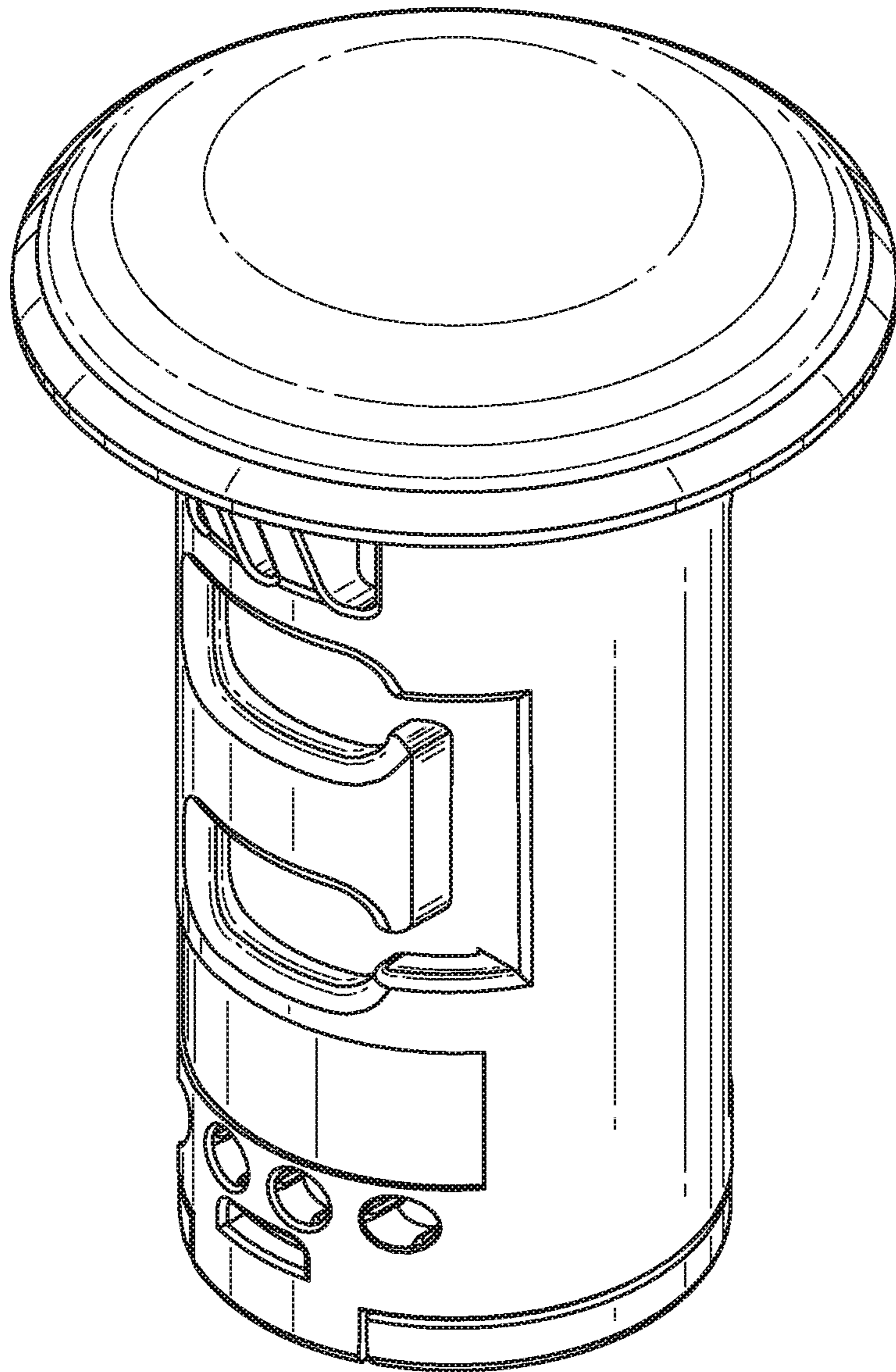


FIG. 8

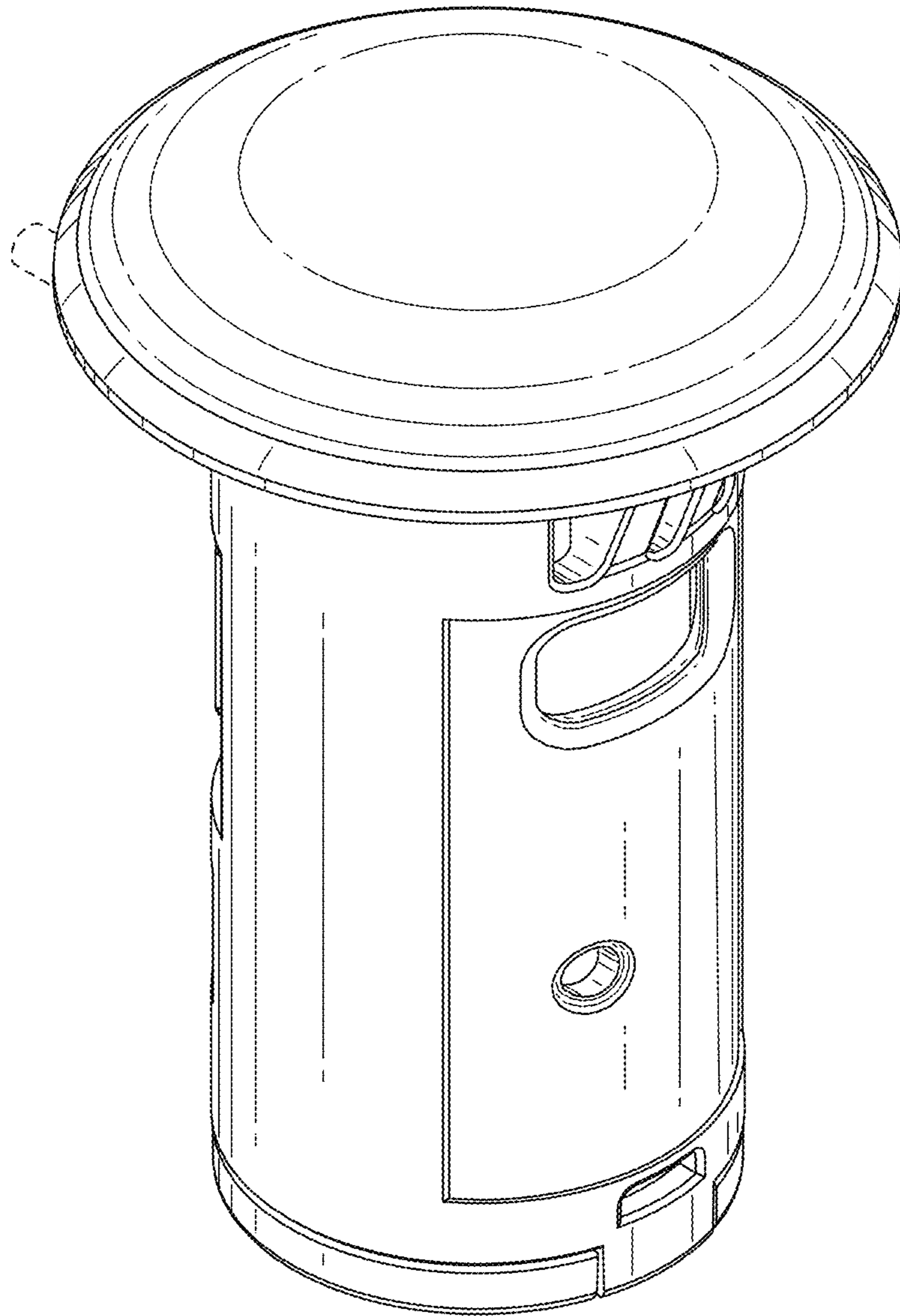


FIG. 9

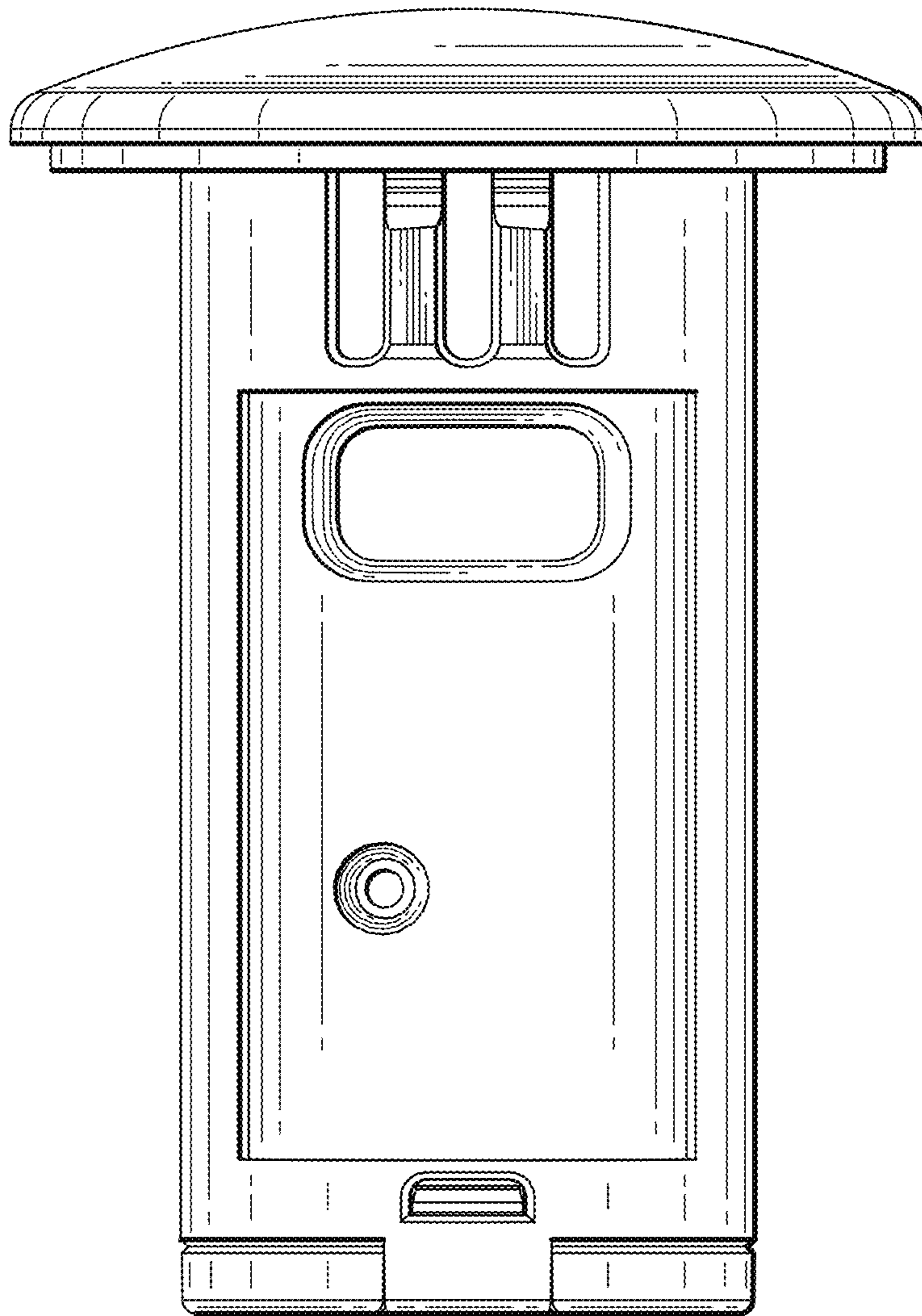


FIG. 10

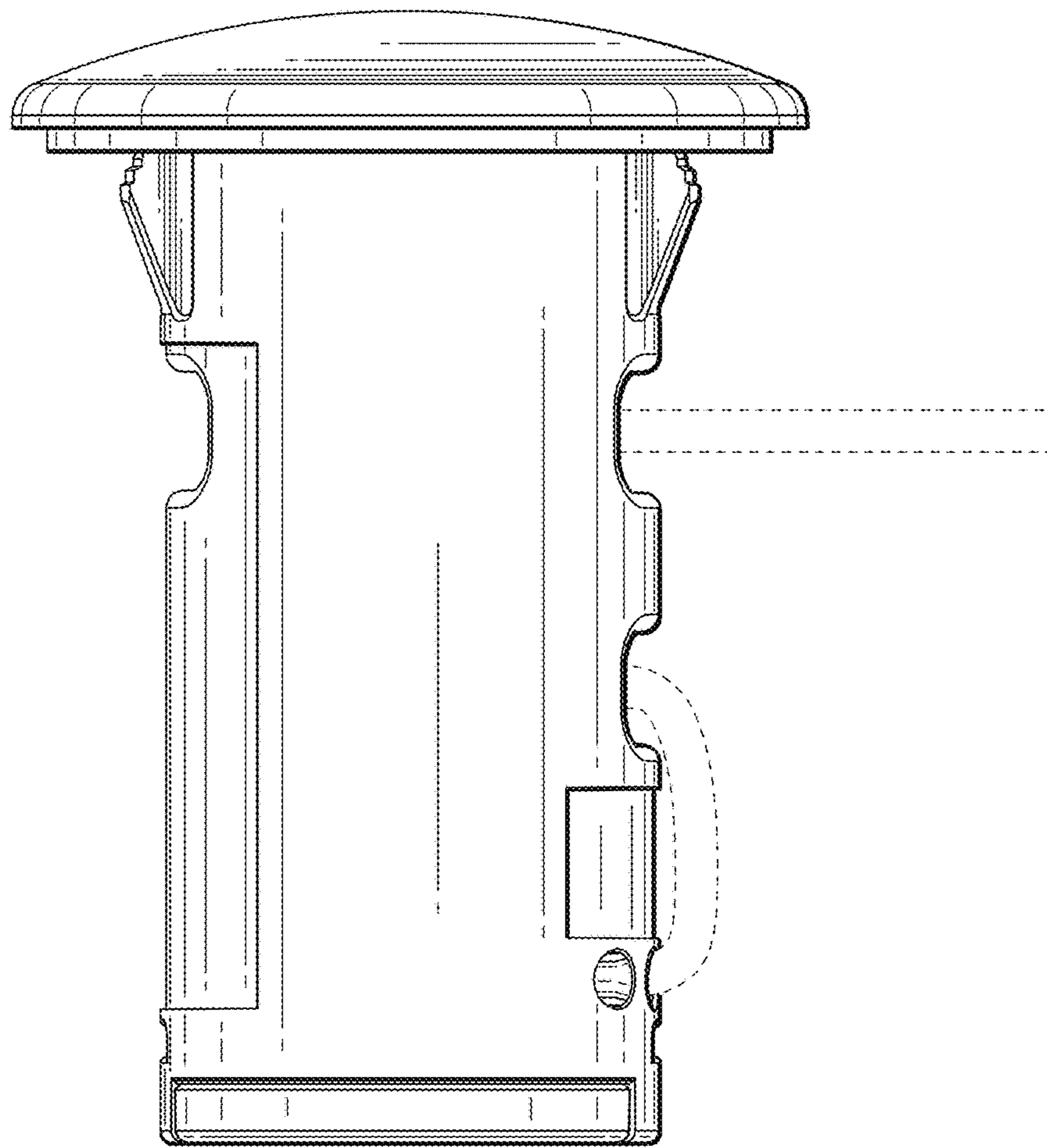


FIG. 11

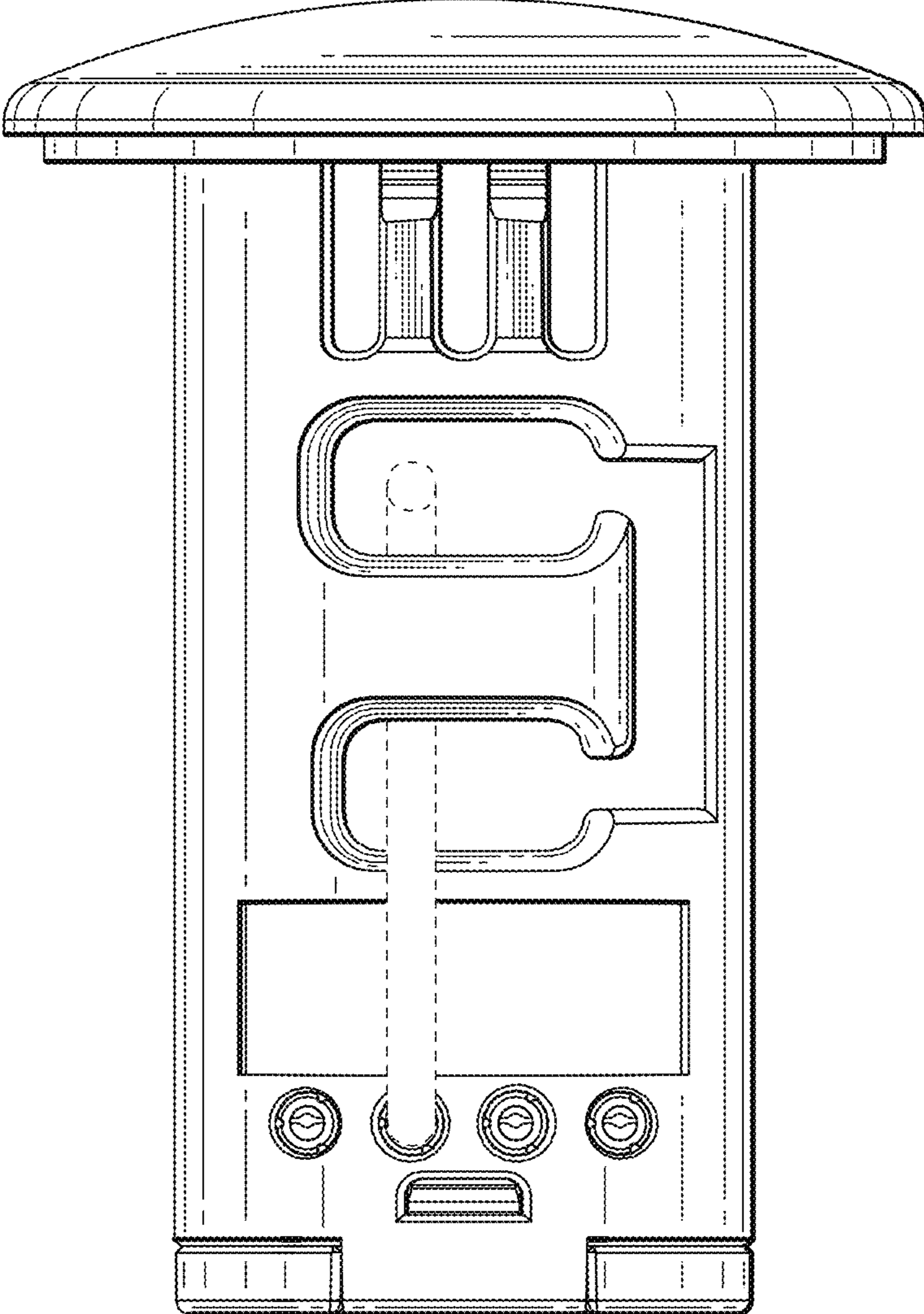


FIG. 12

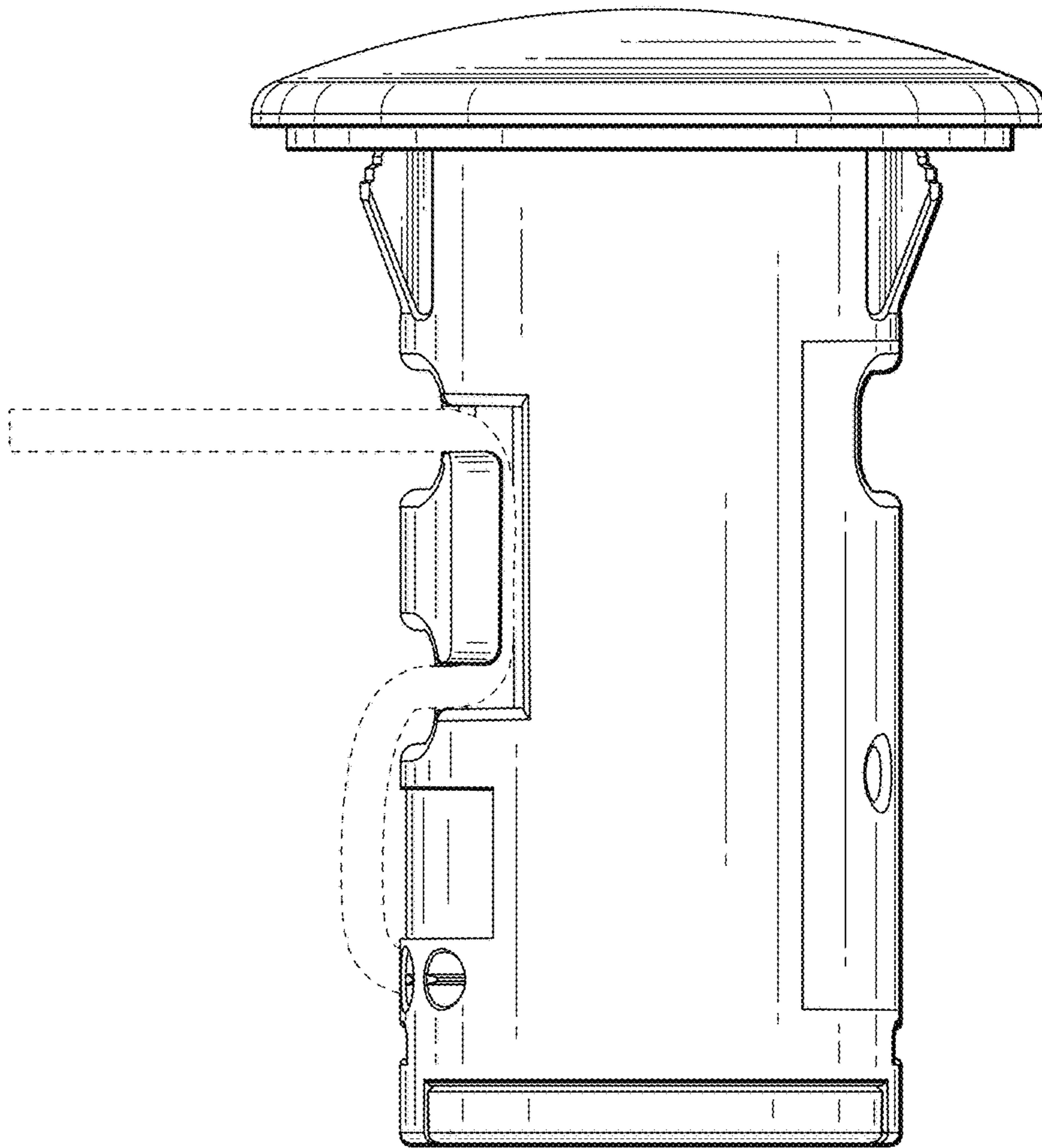


FIG. 13

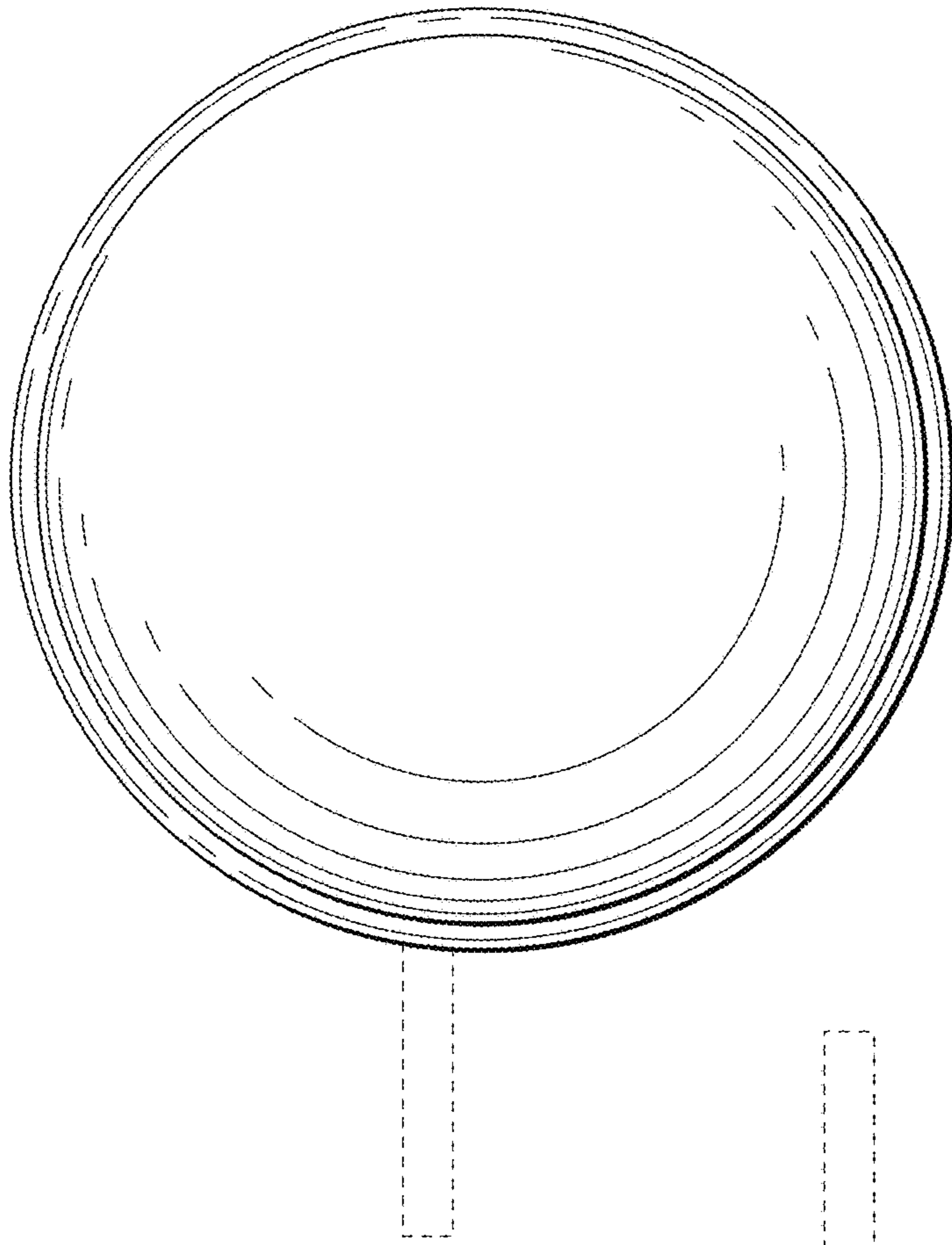
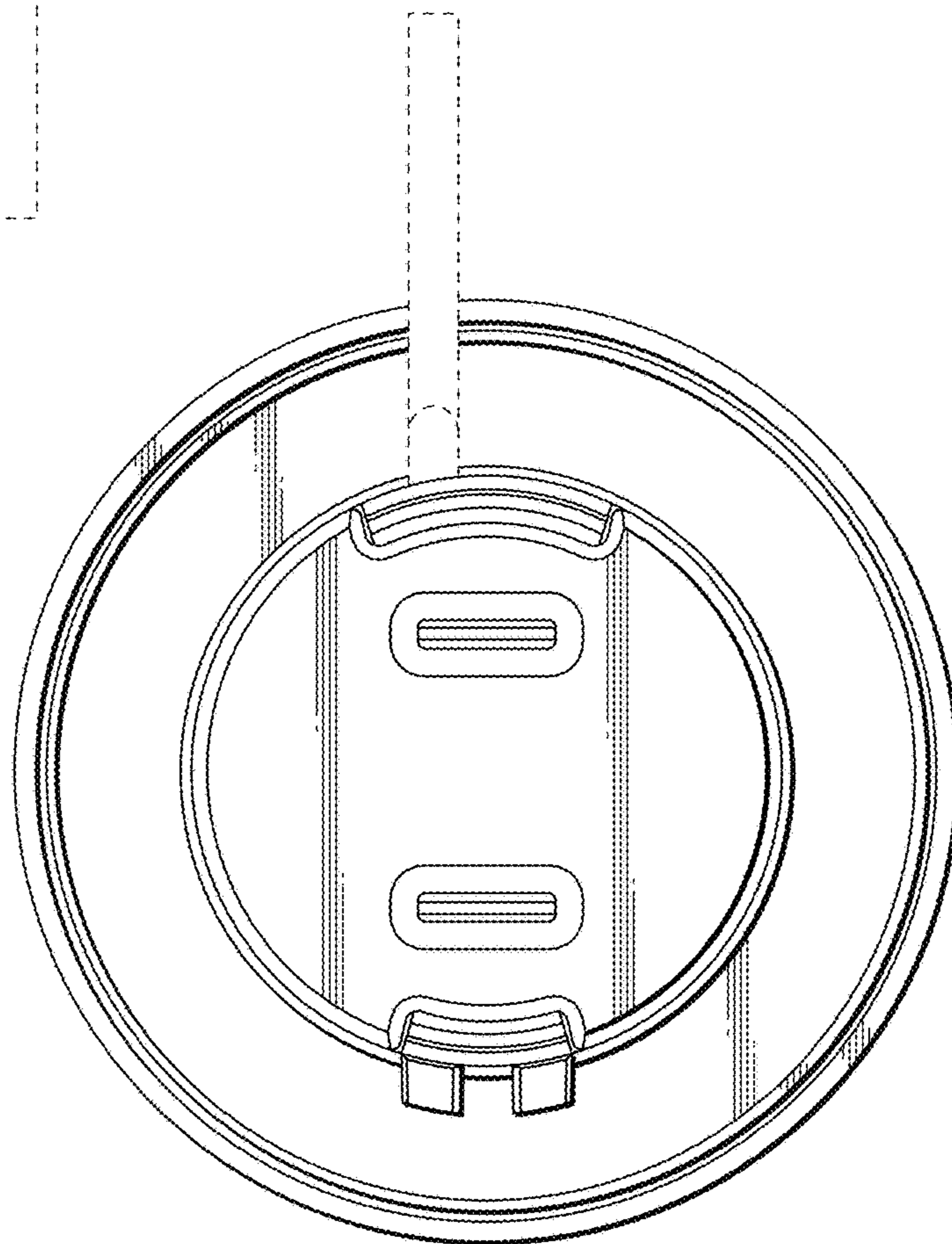


FIG. 14

FIG. 15



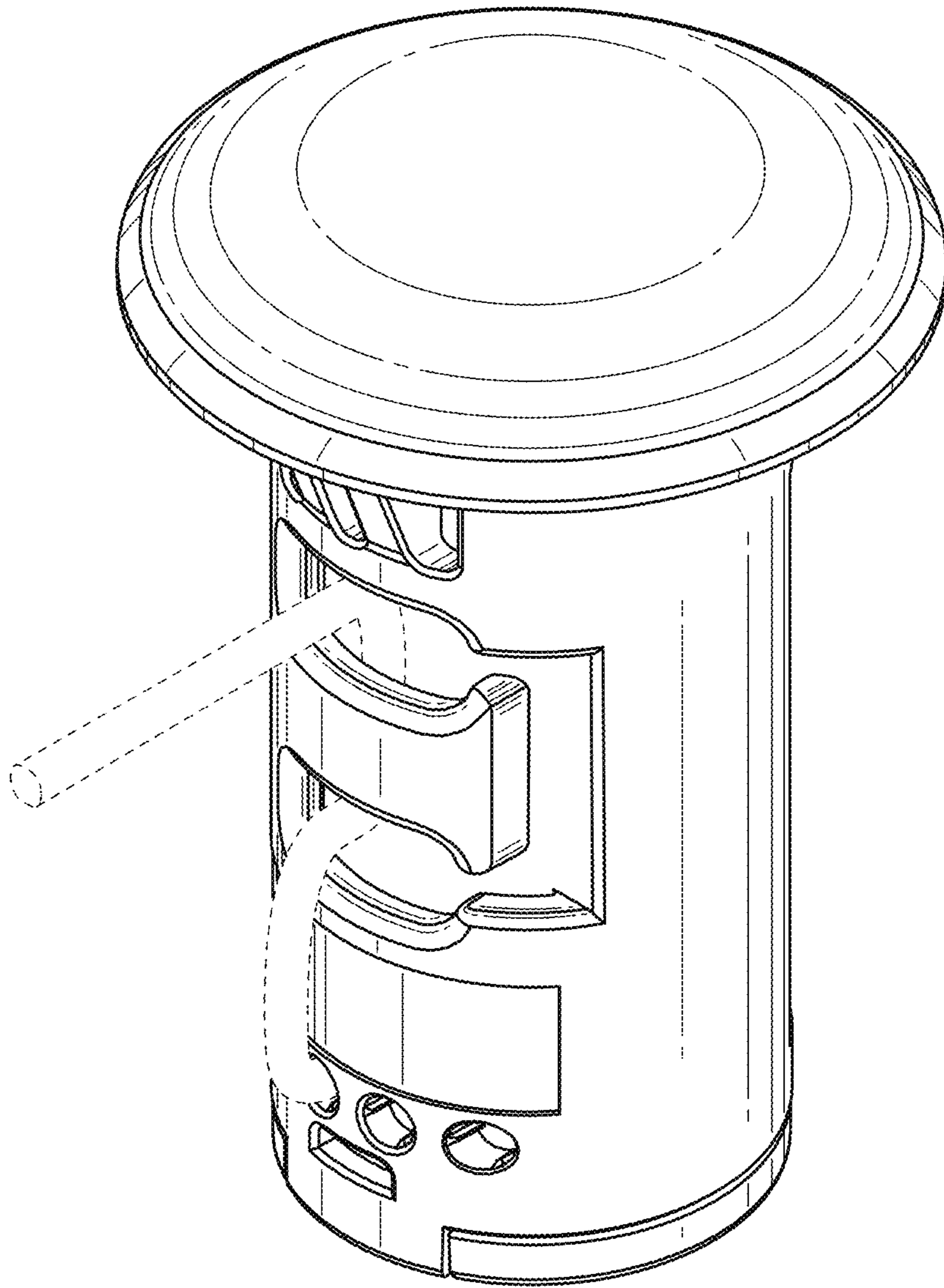


FIG. 16