



US00D788045S

(12) **United States Design Patent**  
**Zeng**

(10) **Patent No.:** **US D788,045 S**

(45) **Date of Patent:** **\*\* May 30, 2017**

(54) **FINGERPRINT SWITCH BOX**

(71) Applicant: **IDENCOM GERMANY GMBH**,  
Berlin (DE)

(72) Inventor: **Qiu-Ping Zeng**, Berlin (DE)

(\*\*) Term: **15 Years**

(21) Appl. No.: **35/500,257**

(22) Filed: **May 13, 2015**

(80) **Hague Agreement Data**

Int. Filing Date: **May 13, 2015**

Int. Reg. No.: **DM/086806**

Int. Reg. Date: **May 13, 2015**

Int. Reg. Pub. Date: **Nov. 13, 2015**

(51) **LOC (10) Cl.** ..... **13-03**

(52) **U.S. Cl.**  
USPC ..... **D13/158**

(58) **Field of Classification Search**  
USPC ... D13/158, 168, 156, 133, 139.3, 184, 159,  
D13/169, 177, 174, 162, 152, 139.1;  
D10/96, 118.2, 106.7, 106.8; D8/353,  
D8/350; 174/67, 53  
CPC ..... H01R 13/447; H02G 3/083  
See application file for complete search history.

(56) **References Cited**

**U.S. PATENT DOCUMENTS**

- D582,863 S \* 12/2008 Ni ..... D13/169
- D593,842 S \* 6/2009 Corbin ..... D8/353
- D601,513 S \* 10/2009 Goyal ..... D13/177
- 7,651,346 B2 \* 1/2010 Francis ..... H01R 13/447  
174/67
- D613,699 S \* 4/2010 Goyal ..... D13/177
- D626,093 S \* 10/2010 Bates ..... D13/174
- 7,834,267 B1 \* 11/2010 Gretz ..... H02G 3/083  
174/53
- D644,914 S \* 9/2011 Hoffman ..... D8/353
- D647,489 S \* 10/2011 Lind, III ..... D13/162
- D658,483 S \* 5/2012 Krumpe ..... D8/353

- D661,661 S \* 6/2012 Marrero ..... D13/152
- D662,885 S \* 7/2012 Hoffman ..... D13/139.1
- D664,461 S \* 7/2012 Goyal ..... D10/106.8
- D664,877 S \* 8/2012 Krumpe ..... D10/106.7
- D678,215 S \* 3/2013 Brantley ..... D13/156

(Continued)

*Primary Examiner* — Rhea Shields

(57) **CLAIM**

The ornamental design for a fingerprint switch box, as shown and described.

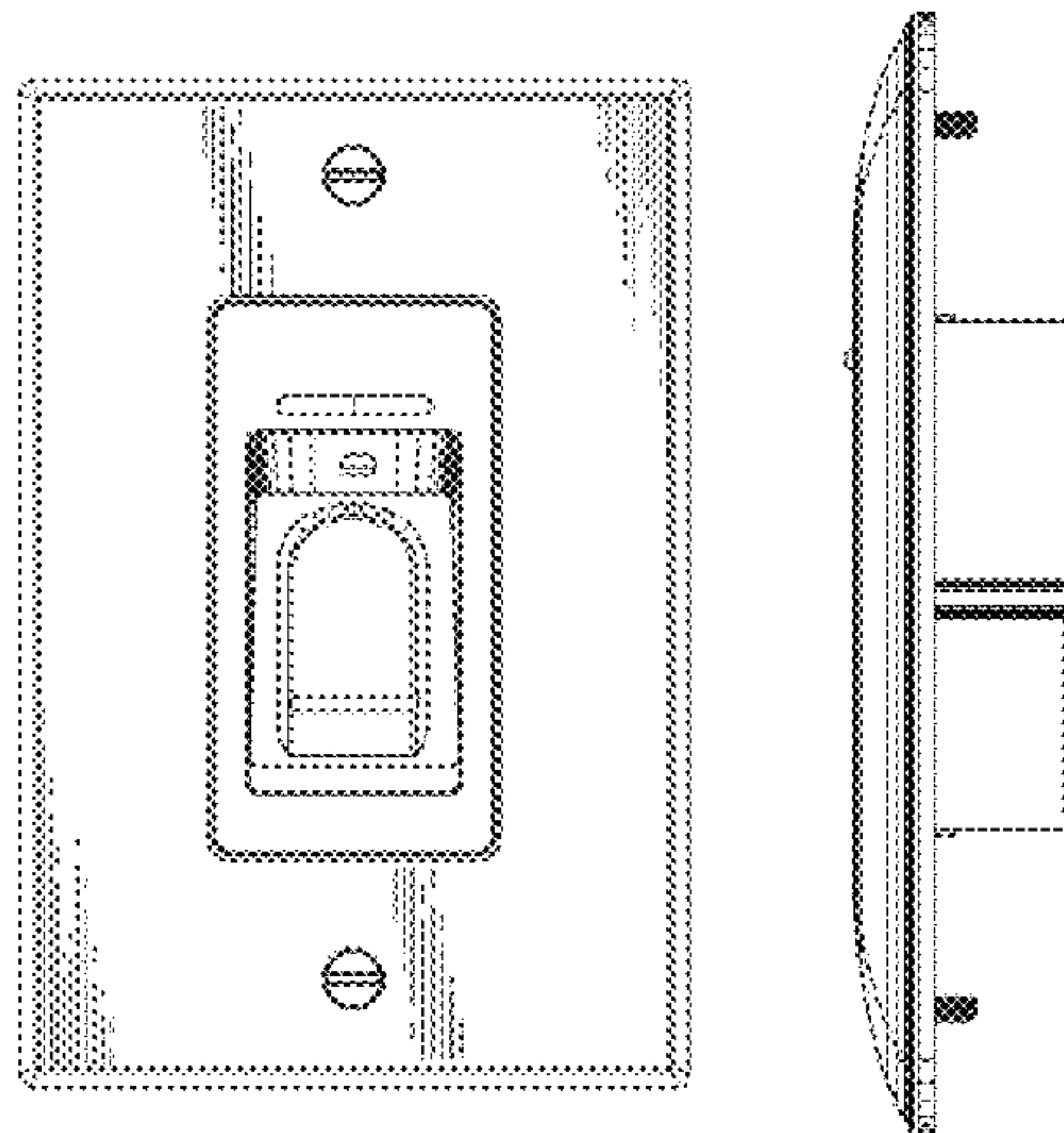
**DESCRIPTION**

1.-2. Fingerprint Switch Box

- 1.1 : Top
- 1.2 : Bottom
- 1.3 : Left
- 1.4 : Right
- 1.5 : Front
- 1.6 : Back
- 1.7 : Perspective
- 2.1 : Top
- 2.2 : Bottom
- 2.3 : Right
- 2.4 : Left
- 2.5 : Back
- 2.6 : Front
- 2.7 : Perspective
- 2.8 : Perspective

Design 1: FIG. 1 is a top view of a first design of a fingerprint switch box; FIG. 2 is a bottom view thereof; FIG. 3 is a left flank side view thereof; FIG. 4 is a right flank side view thereof; FIG. 5 is a front view thereof; FIG. 6 is a rear view thereof; and FIG. 7 is a perspective top view thereof; design 2: FIG. 1 is a top view of a second design of a fingerprint switch box; FIG. 2 is a bottom view thereof; FIG. 3 is a right flank side view thereof; FIG. 4 is a left flank side view thereof; FIG. 5 is a rear view thereof; FIG. 6 is a front view thereof; FIG. 7 is a perspective top view thereof; and FIG. 8 is a perspective front view.

**1 Claim, 15 Drawing Sheets**



(56)

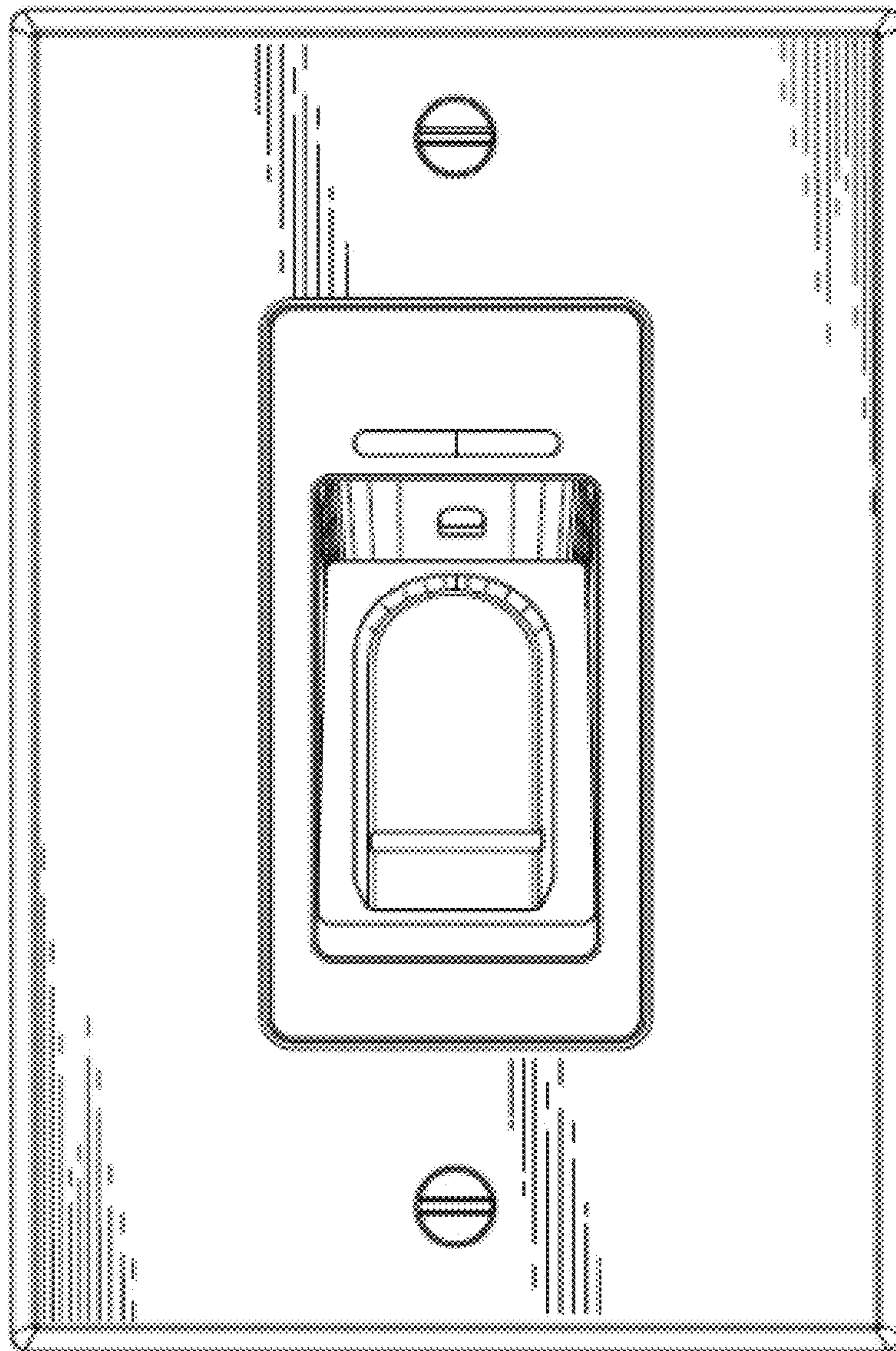
**References Cited**

U.S. PATENT DOCUMENTS

D679,653	S	*	4/2013	Dobler	.....	D13/133
D684,936	S	*	6/2013	Brantley	.....	D13/156
D688,631	S	*	8/2013	Ku	.....	D13/156
D688,935	S	*	9/2013	Questel	.....	D8/353
D710,804	S	*	8/2014	Duffy	.....	D13/139.3
D729,612	S	*	5/2015	de Peralta	.....	D8/350
D732,375	S	*	6/2015	Questel	.....	D8/353
D735,679	S	*	8/2015	Masters	.....	D13/159
D742,340	S	*	11/2015	Krivonak	.....	D13/184
D754,556	S	*	4/2016	Bousquet	.....	D10/118.2
D754,613	S	*	4/2016	Downs	.....	D10/96
D755,132	S	*	5/2016	Kashimoto	.....	D13/168
D755,730	S	*	5/2016	Valivainio	.....	D13/158
D756,312	S	*	5/2016	Zheng	.....	D13/158

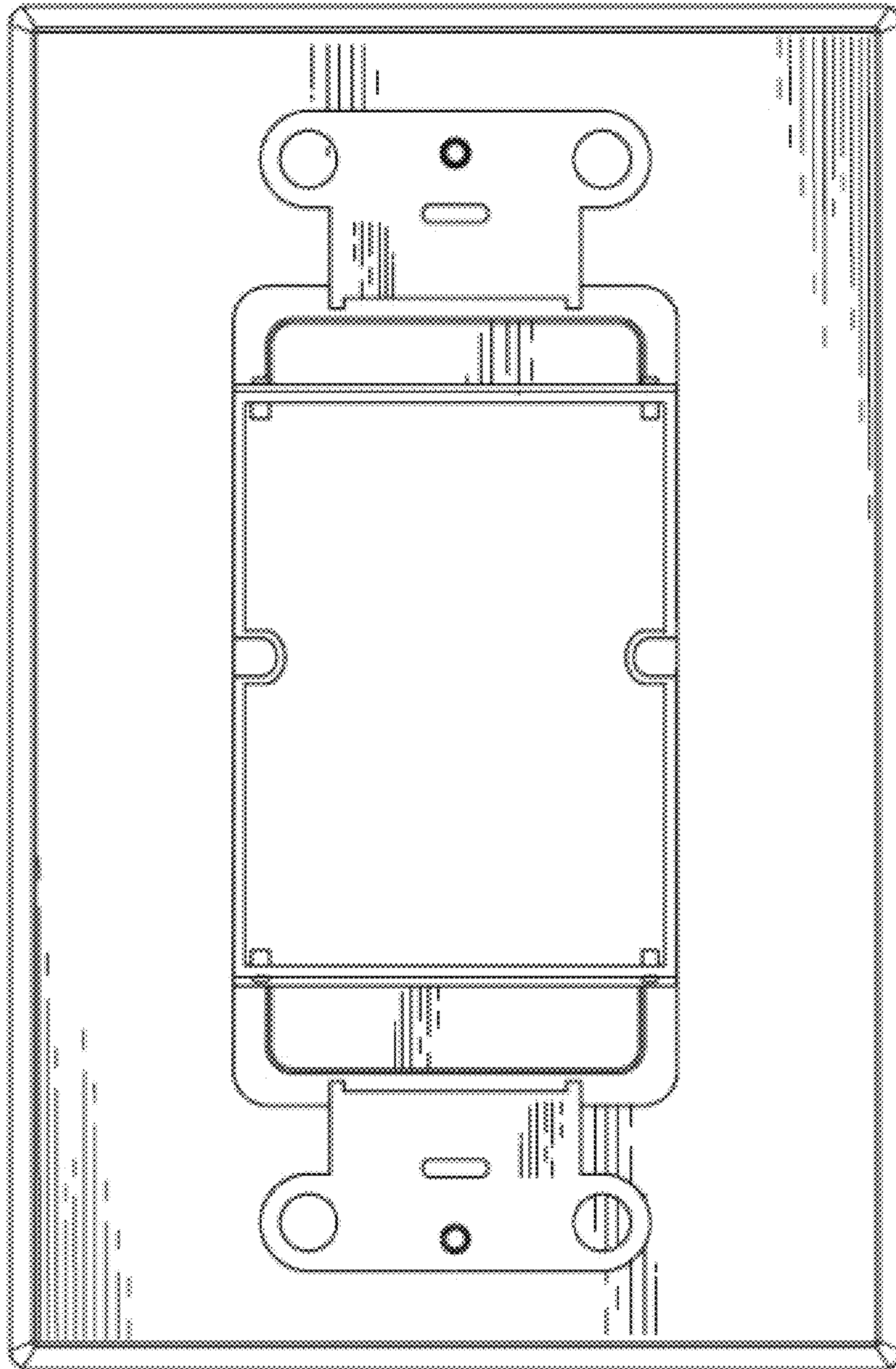
\* cited by examiner

**1.1**

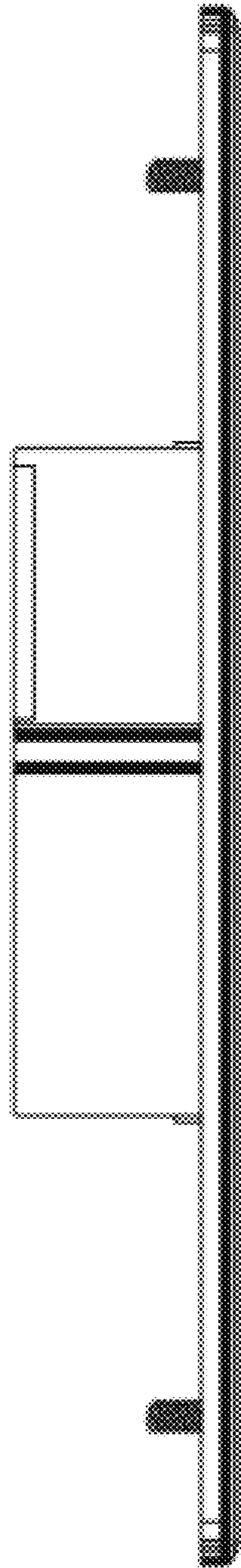




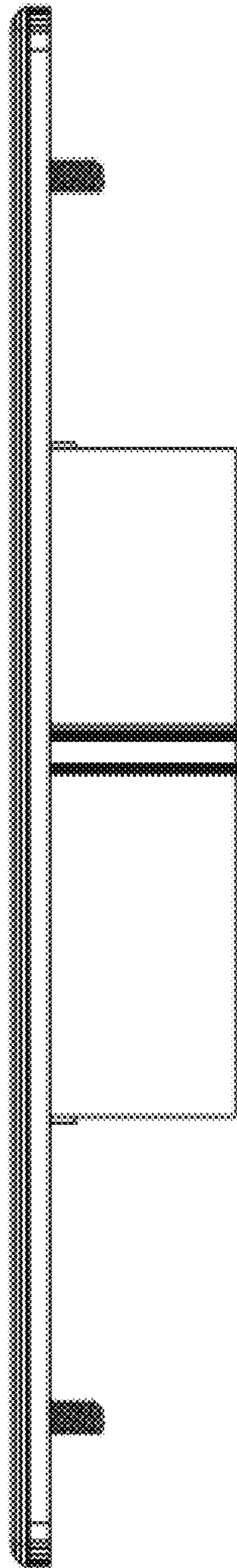
# 1.2



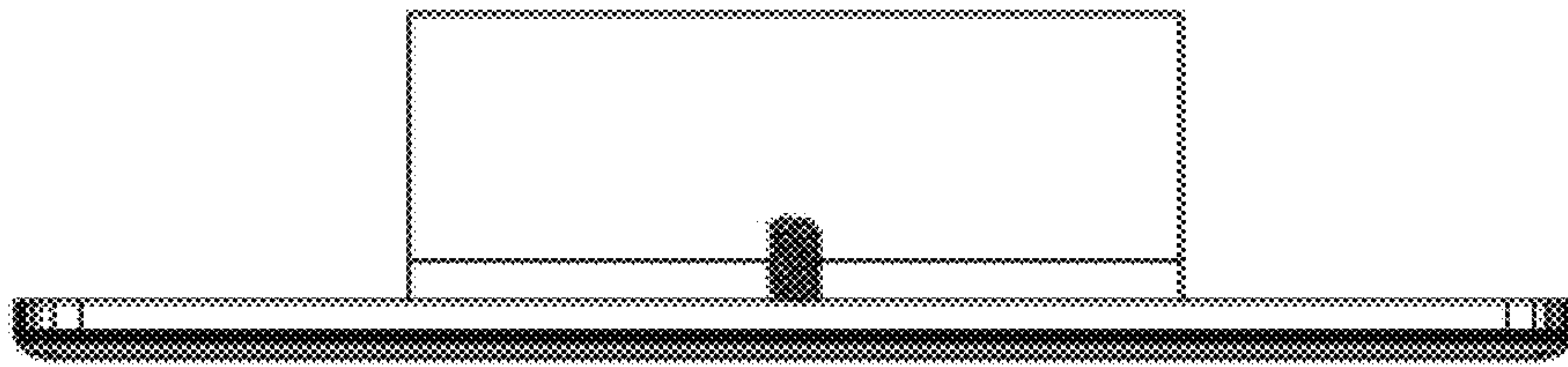
**1.3**



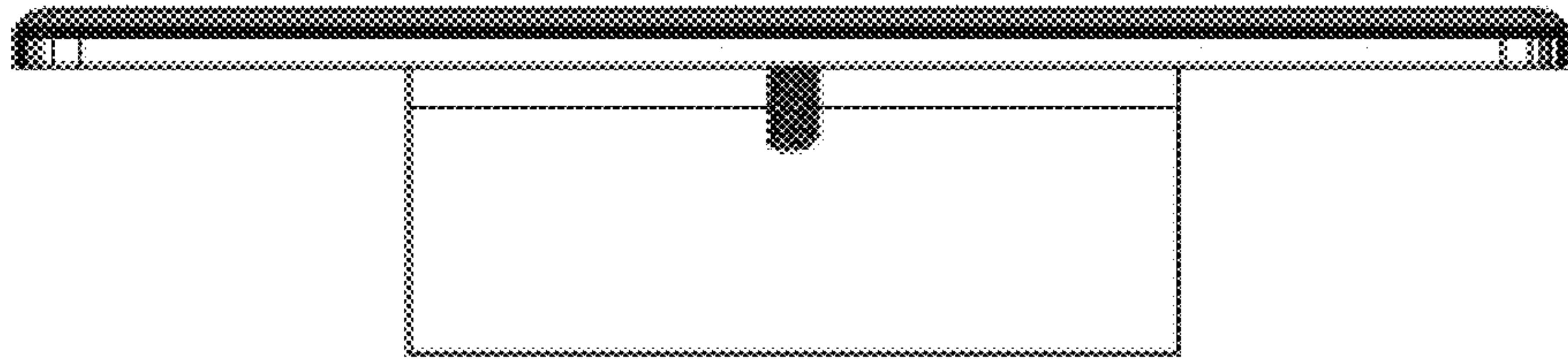
**1.4**



**1.5**

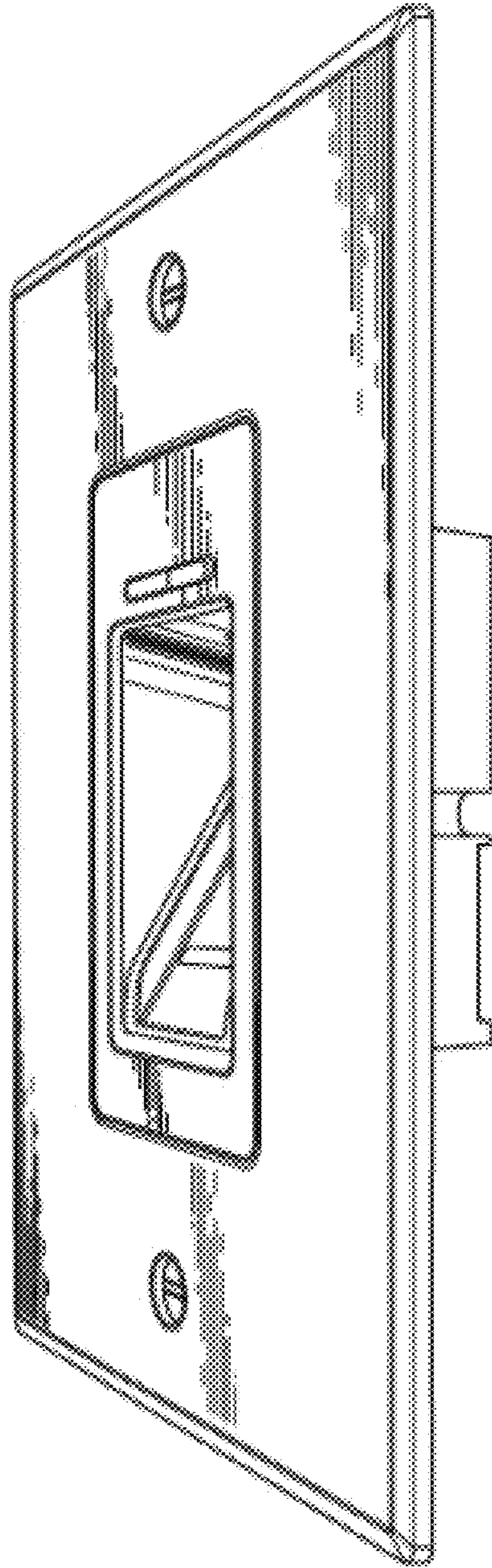


**1.6**

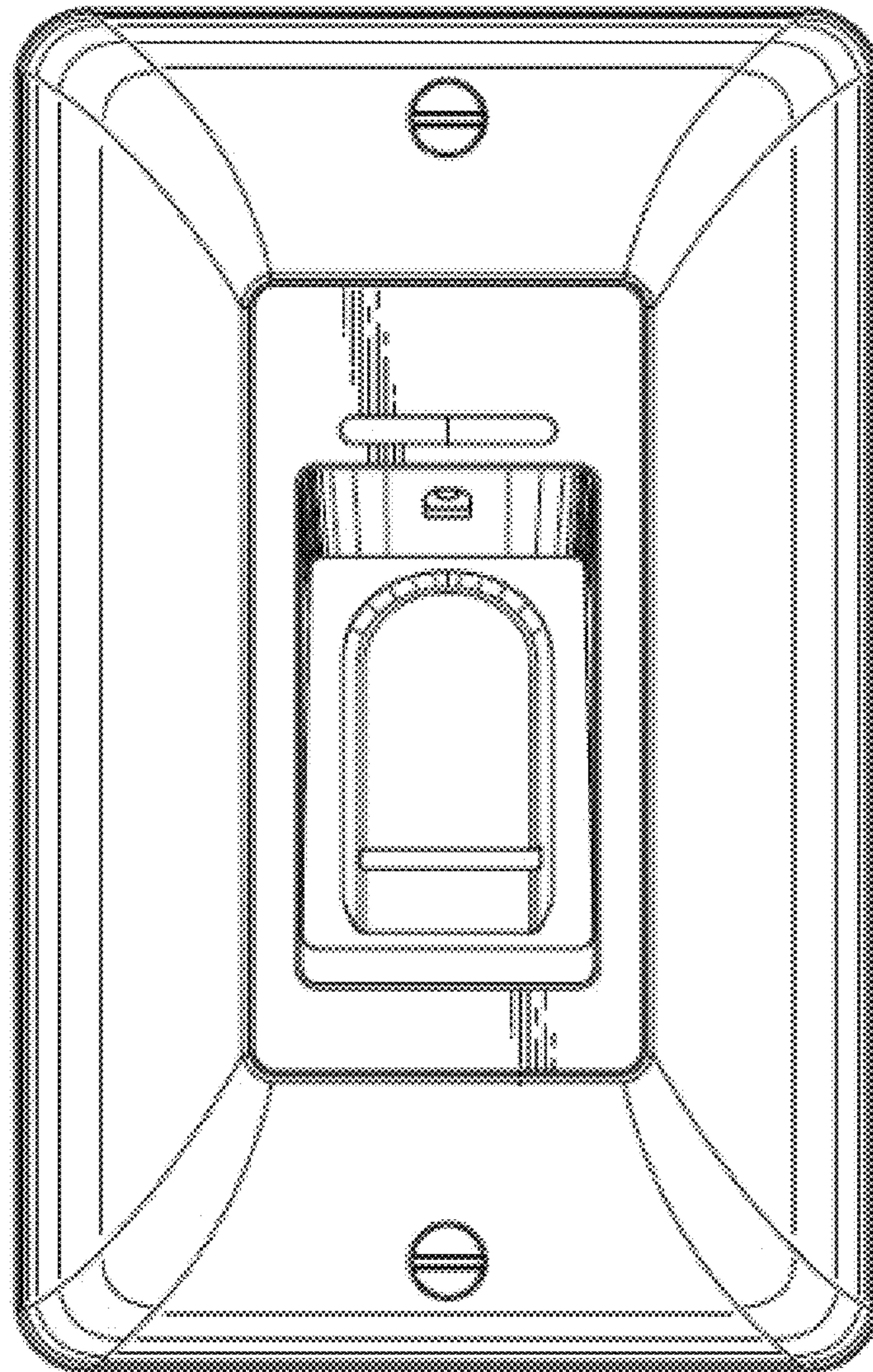




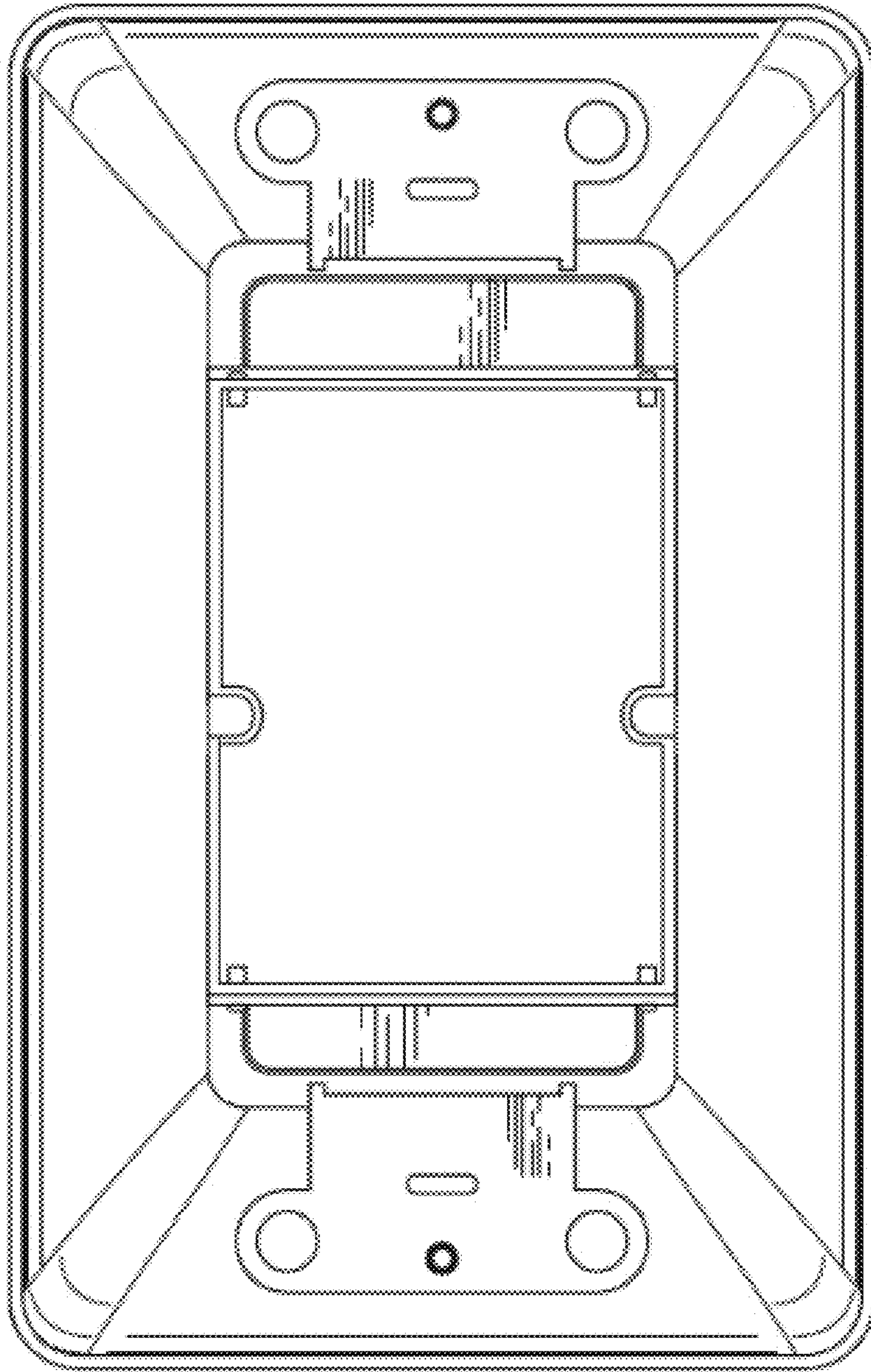
**1.7**



# 2.1

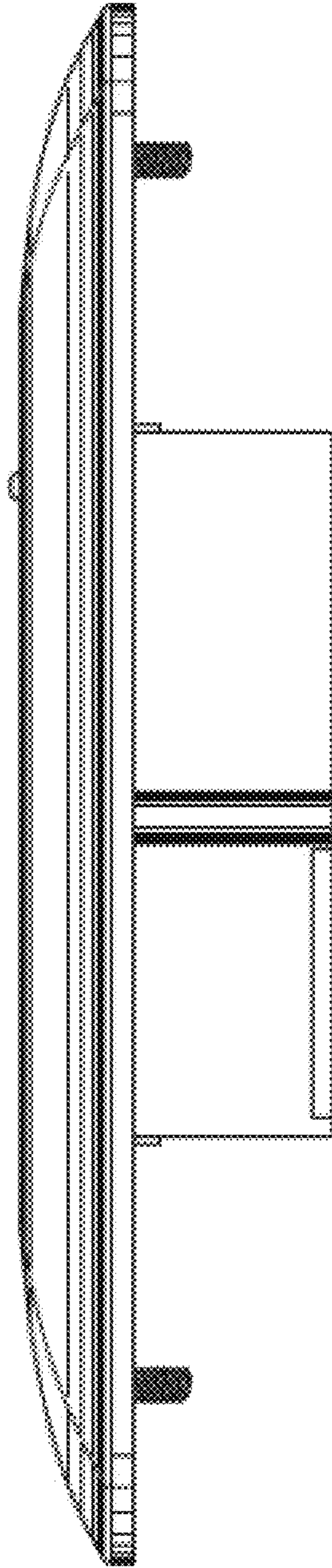


# 2.2

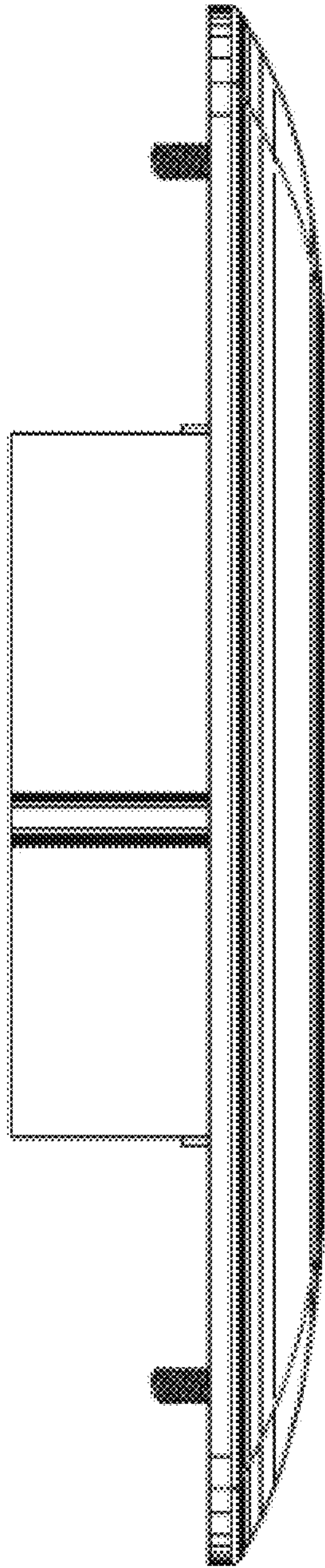




# 2.3

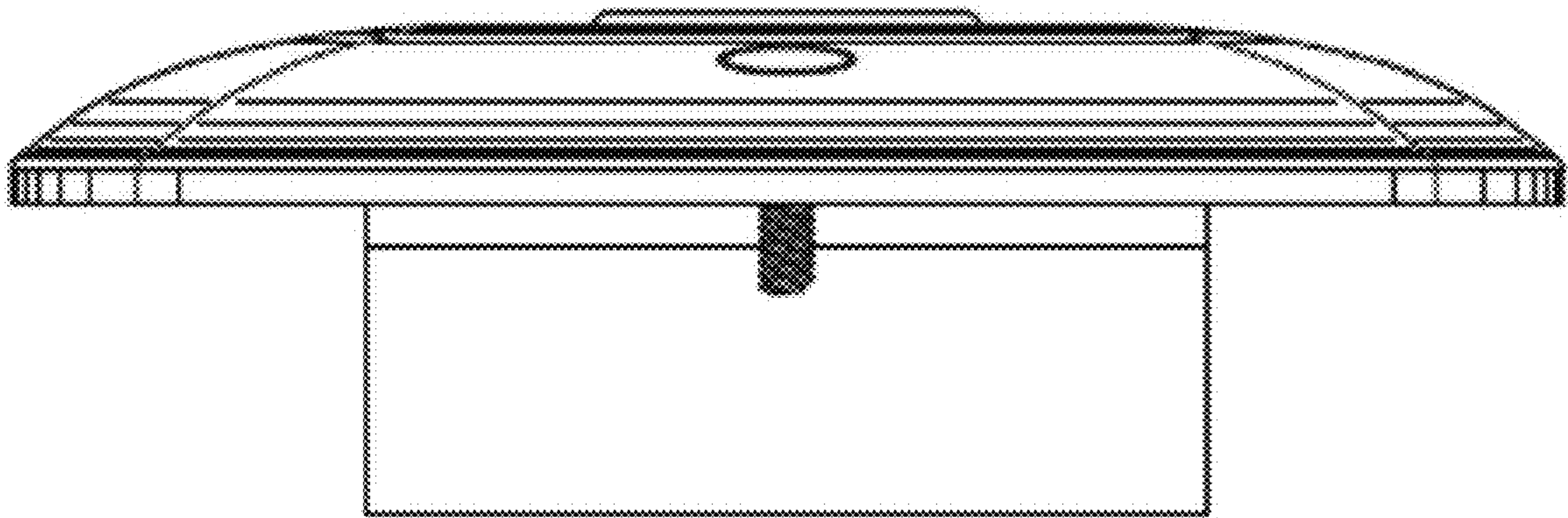


# 2.4

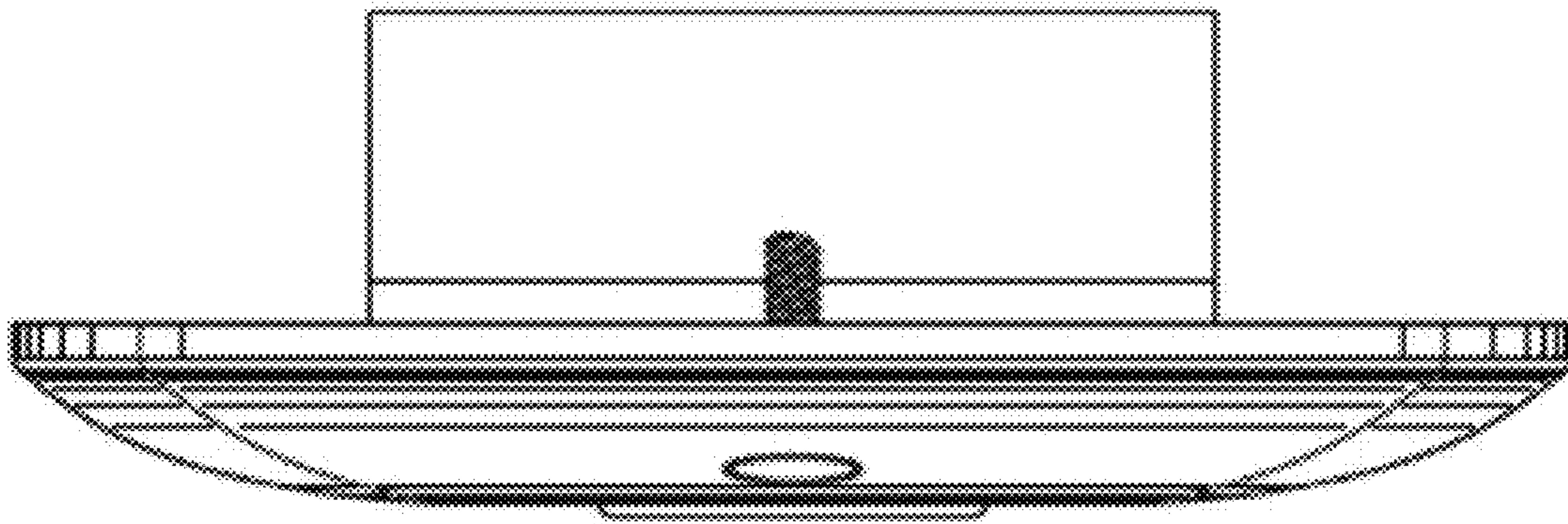




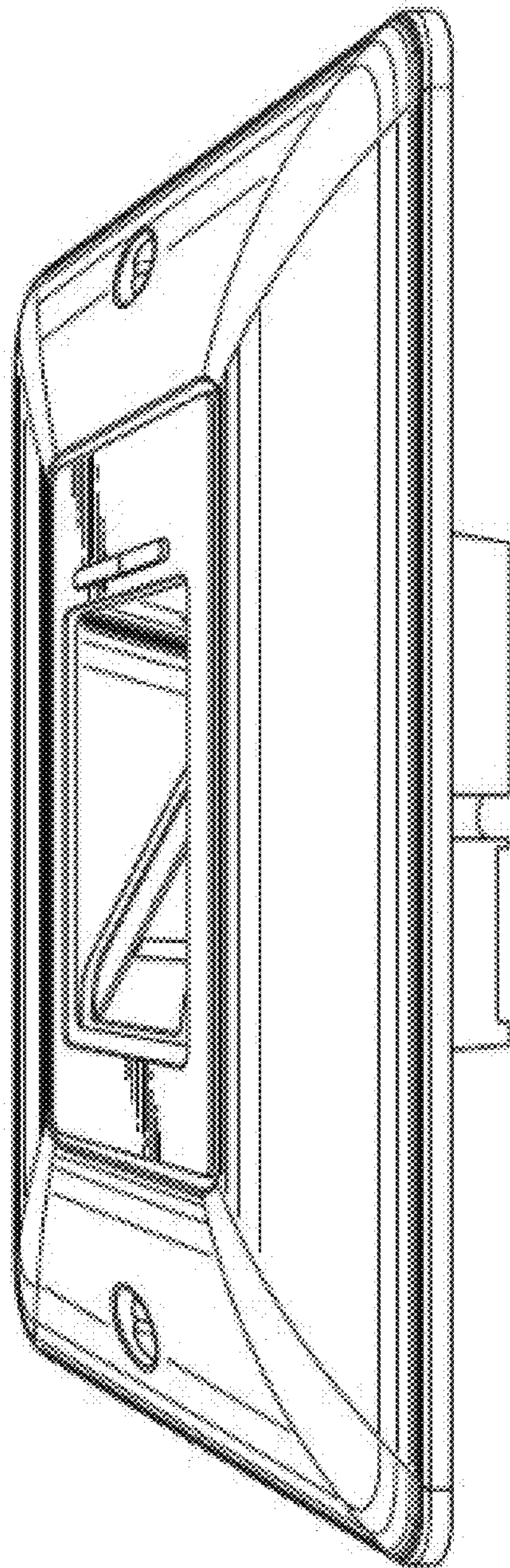
2.5



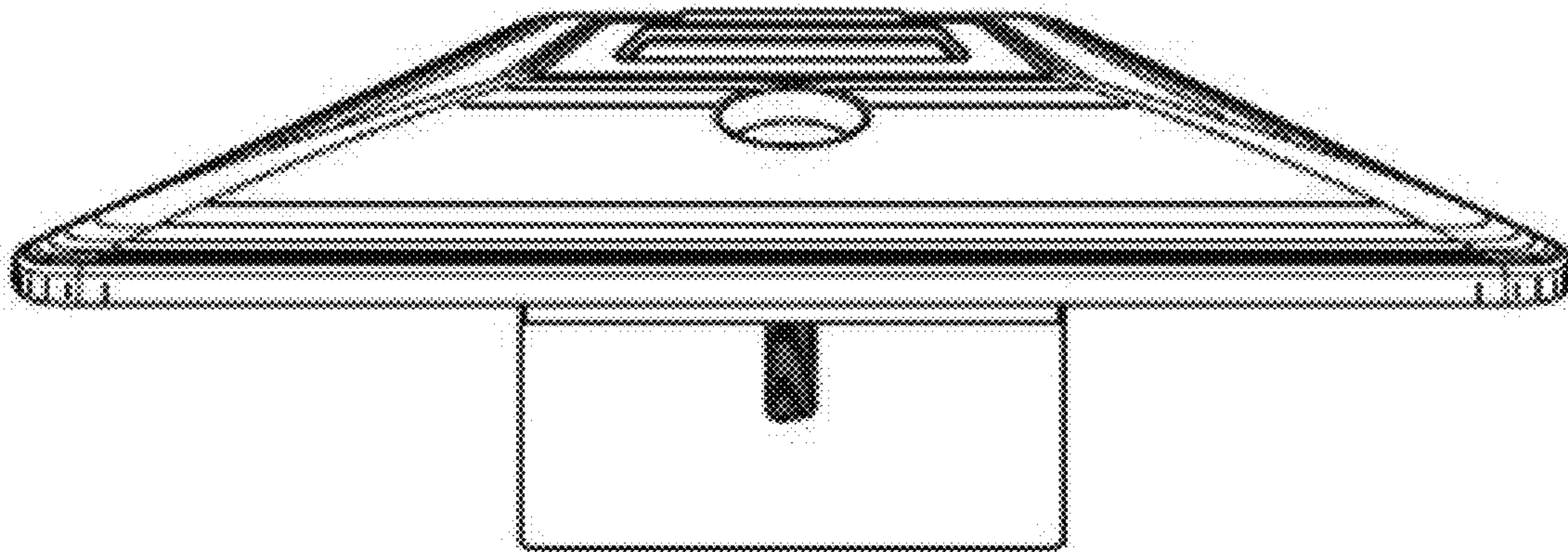
**2.6**



# 2.7



**2.8**



UNITED STATES PATENT AND TRADEMARK OFFICE  
**CERTIFICATE OF CORRECTION**

PATENT NO. : D788,045 S  
APPLICATION NO. : 35/500257  
DATED : May 30, 2017  
INVENTOR(S) : Zeng

Page 1 of 1

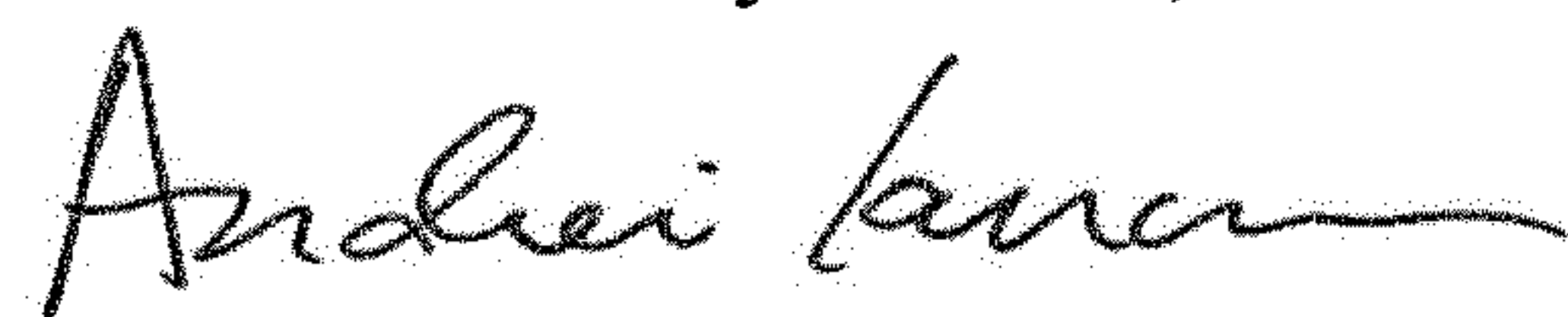
It is certified that error appears in the above-identified patent and that said Letters Patent is hereby corrected as shown below:

On the Title Page

Column 1, two lines after "(22)" insert:

-- (30) Foreign Application Priority Data  
Mar. 31, 2015 (DE).....402015100309.5 --

Signed and Sealed this  
Eleventh Day of June, 2019



Andrei Iancu  
*Director of the United States Patent and Trademark Office*