



US00D788043S

(12) **United States Design Patent** (10) **Patent No.:** **US D788,043 S**  
**Smith** (45) **Date of Patent:** **\*\* May 30, 2017**

(54) **ADJUSTABLE ELECTRICAL CONNECTOR**

OTHER PUBLICATIONS

(71) Applicant: **Bridgeport Fittings, Inc.**, Stratford, CT (US)

“Thomas & Betts 3307M Insulated Connector 2 Inch Malleable Iron 2-Screw Clamp Mount,” cesco.com, Cat #: 3307M, Part#: 195578, SKU: 101740; <http://www.cesco.com/b2c/product/101740>.

(72) Inventor: **Lawrence J. Smith**, Stamford, CT (US)

*Primary Examiner* — Derrick Holland

(73) Assignee: **BRIDGEPORT FITTINGS, INC.**, Stratford, CT (US)

*Assistant Examiner* — Jennifer O King

(\*\*) Term: **15 Years**

(74) *Attorney, Agent, or Firm* — Ware, Fressola, Maguire & Barber LLP

(21) Appl. No.: **29/533,611**

(57) **CLAIM**

(22) Filed: **Jul. 20, 2015**

The ornamental design for an adjustable electrical connector, as shown and described.

(51) **LOC (10) Cl.** ..... **13-03**

**DESCRIPTION**

(52) **U.S. Cl.**  
USPC ..... **D13/151**

(58) **Field of Classification Search**  
USPC ..... D13/133, 149, 150, 151, 153, 154, 156,  
D13/184, 199; 439/578–585, 694, 695,  
439/944; D8/356, 396  
CPC ..... H01R 4/38; H01R 24/58  
See application file for complete search history.

FIG. 1 is a front perspective view of an adjustable electrical connector of my new design shown in environmental use. FIG. 2 is a right side view thereof. FIG. 3 is a left side view thereof. FIG. 4 is a top view thereof. FIG. 5 is a bottom view thereof. FIG. 6 is a front view thereof. FIG. 7 is a rear view thereof. FIG. 8 is a side view thereof shown in environmental use. FIG. 9 is a front perspective view of an alternative embodiment of the adjustable electrical connector shown in environmental use. FIG. 10 is a right side view of the alternative embodiment. FIG. 11 is a left side view thereof. FIG. 12 is a top view thereof. FIG. 13 is a bottom view thereof. FIG. 14 is a front view thereof. FIG. 15 is a rear view thereof; and, FIG. 16 is a side view of the alternative embodiment shown in environmental use. The broken lines shown represent unclaimed subject matter and form no part of the claimed design.

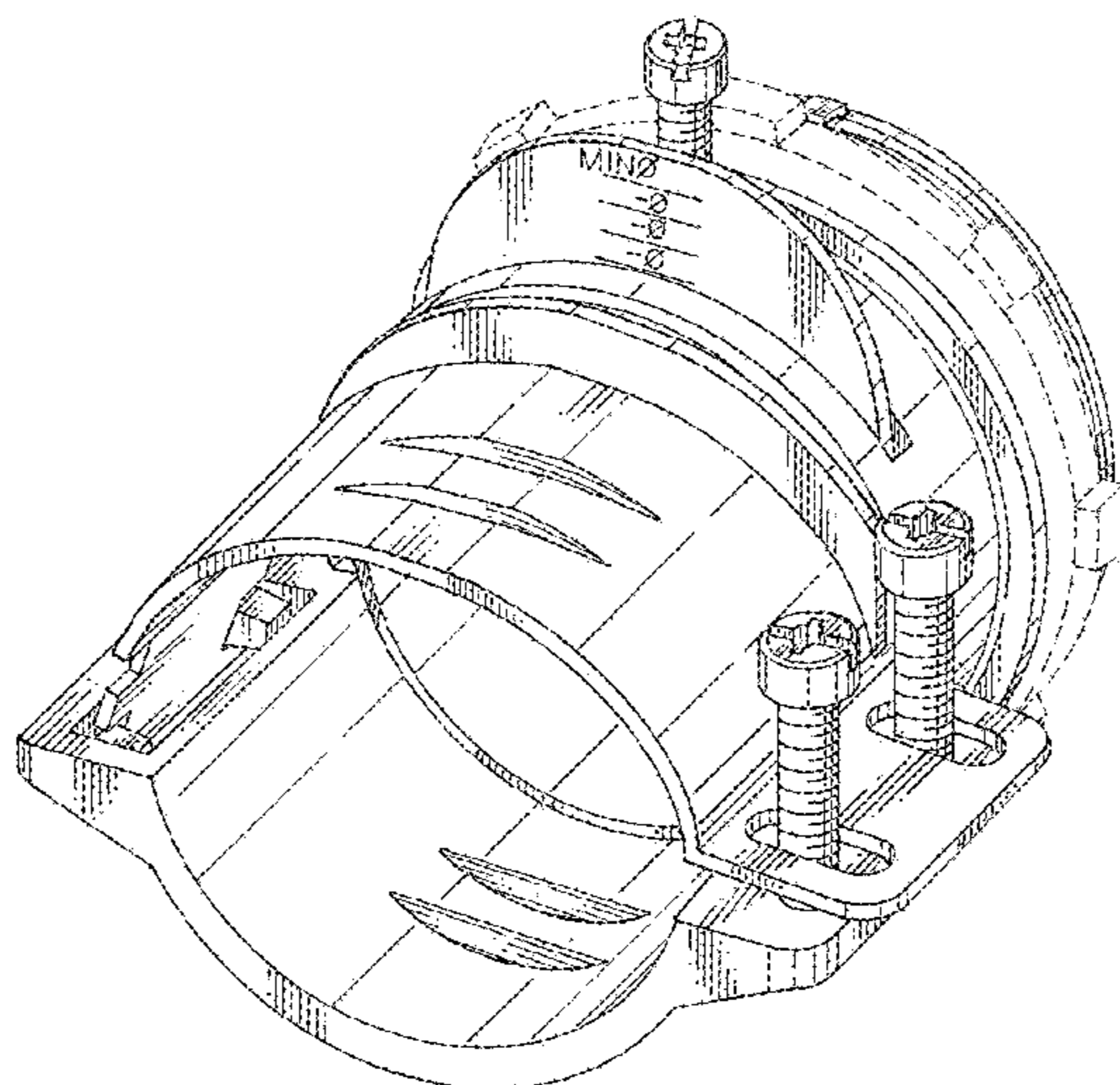
(56) **References Cited**

U.S. PATENT DOCUMENTS

1,644,306 A	10/1927	Ledbetter	
1,769,947 A	7/1930	Fullman	
1,810,958 A	6/1931	Fullman	
1,850,792 A	3/1932	Frederickson	
2,413,927 A	1/1947	Robertson	
2,485,676 A	10/1949	Thomas, Jr.	
2,490,253 A	12/1949	Buchanan	
2,540,999 A	2/1951	Thomas, Jr.	
2,973,212 A	2/1961	Rose	
3,183,297 A	5/1965	Curtiss	
3,746,373 A	7/1973	Prudente	
D243,405 S *	2/1977	Mooney	D13/149
D283,675 S *	5/1986	Fogel	D8/396
4,990,721 A	2/1991	Sheehan	

(Continued)

**1 Claim, 12 Drawing Sheets**



(56)

References Cited

U.S. PATENT DOCUMENTS

D338,445 S *	8/1993	Lamont	.....	D13/156	D573,102 S *	7/2008	Sheehan	.....	D13/153
D339,793 S *	9/1993	Nardi	.....	D13/149	7,432,452 B2	10/2008	Gardner		
D360,188 S *	7/1995	Kiely	.....	D13/152	7,442,079 B1	10/2008	Gretz		
5,539,152 A	7/1996	Gretz			D581,877 S *	12/2008	Kiely	.....	D13/133
D380,197 S *	6/1997	Garcia	.....	D13/152	7,485,806 B1	2/2009	Gretz		
5,775,739 A	7/1998	Gretz			D596,578 S *	7/2009	Kiely	.....	D13/149
5,789,706 A	8/1998	Perkins			D600,650 S *	9/2009	Smith	.....	D13/133
D404,362 S *	1/1999	Auray	.....	D13/152	D600,651 S *	9/2009	Smith	.....	D13/133
5,894,109 A *	4/1999	Marik	.....	H02G 3/0683 174/650	D601,094 S *	9/2009	Smith	.....	D13/133
6,064,009 A	5/2000	Jorgensen et al.			7,901,222 B2	3/2011	Dixon et al.		
6,140,582 A	10/2000	Sheehan			7,952,034 B2	5/2011	Kiely et al.		
D473,783 S	4/2003	Kiely			D648,279 S *	11/2011	Kiely	.....	D13/149
D479,984 S	9/2003	Kiely			8,105,096 B2	1/2012	Dixon et al.		
6,935,891 B2	8/2005	Kiely			8,129,634 B2	3/2012	Sheehan et al.		
D518,791 S	4/2006	Kiely			D666,153 S *	8/2012	Smith	.....	D13/149
7,022,914 B1	4/2006	Kiely			D668,617 S *	10/2012	Kiely	.....	D13/149
D530,678 S	10/2006	Kiely			8,476,541 B1	7/2013	Kiely		
7,329,144 B1	2/2008	Gretz			D749,047 S *	2/2016	Smith	.....	D13/149
					9,257,795 B2 *	2/2016	Smith	.....	H01R 13/655
					9,373,919 B1 *	6/2016	Smith	.....	H01R 13/73
					2011/0290550 A1	12/2011	Kiely		

\* cited by examiner

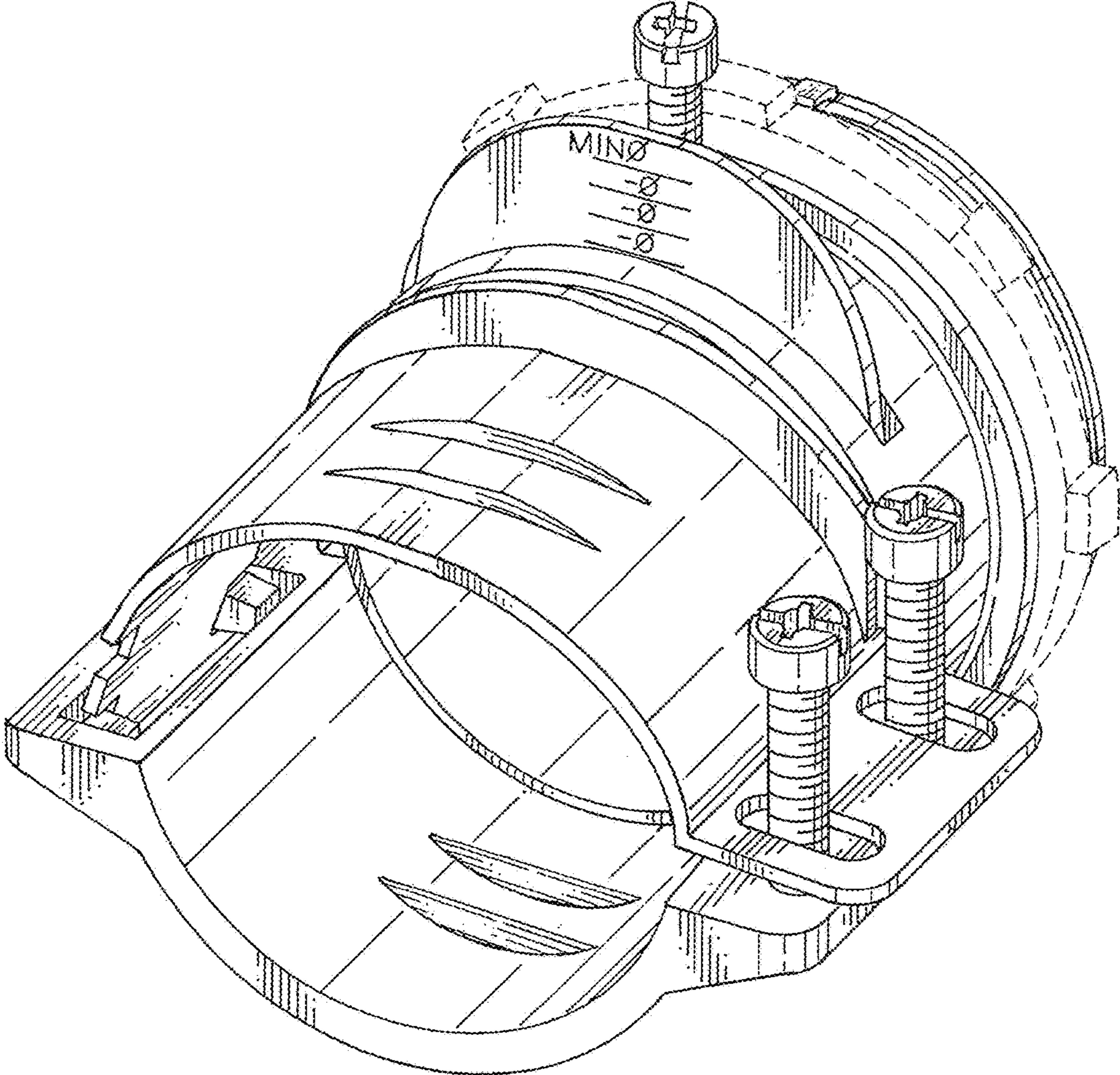


FIG. 1

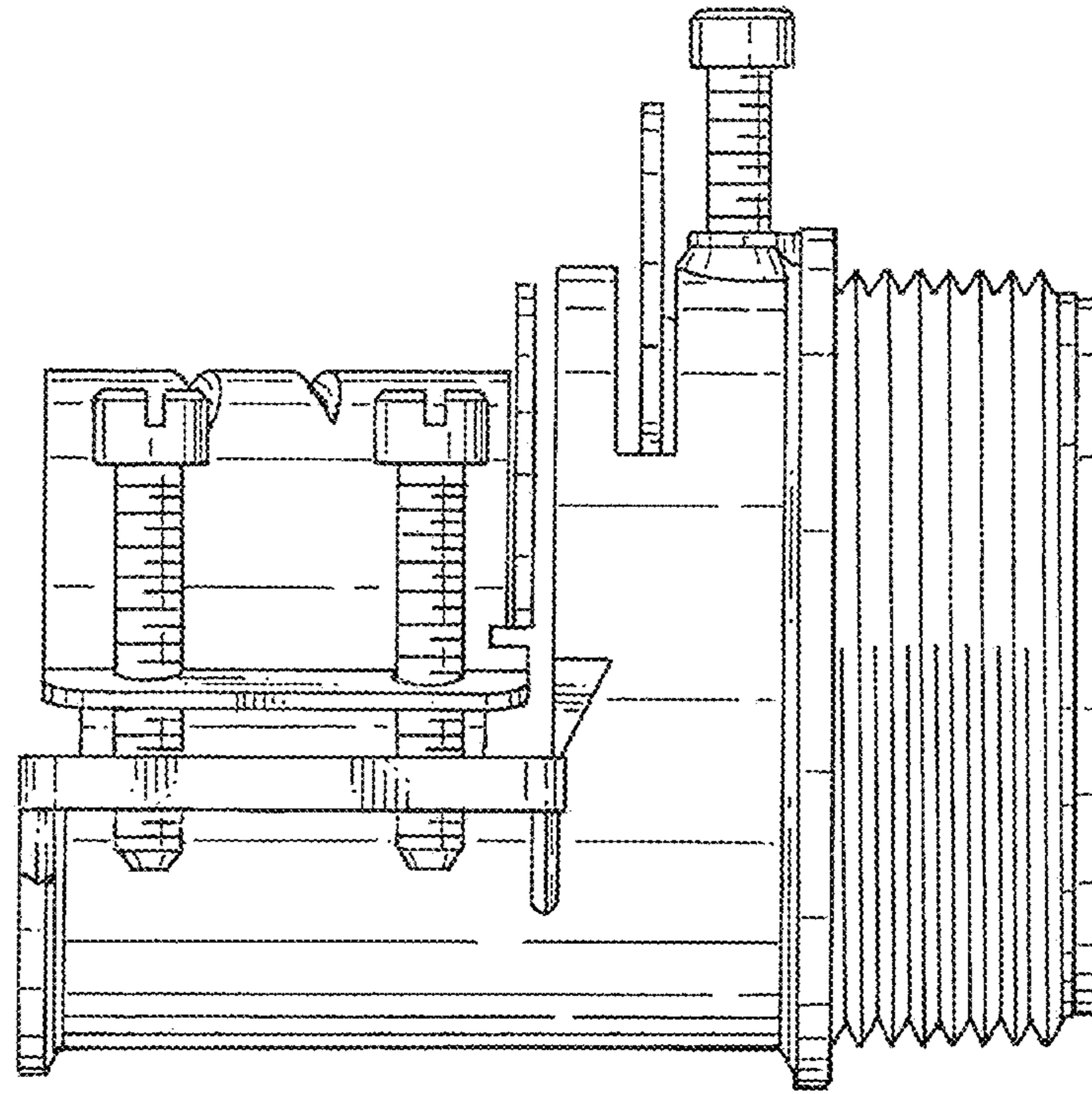


FIG. 2

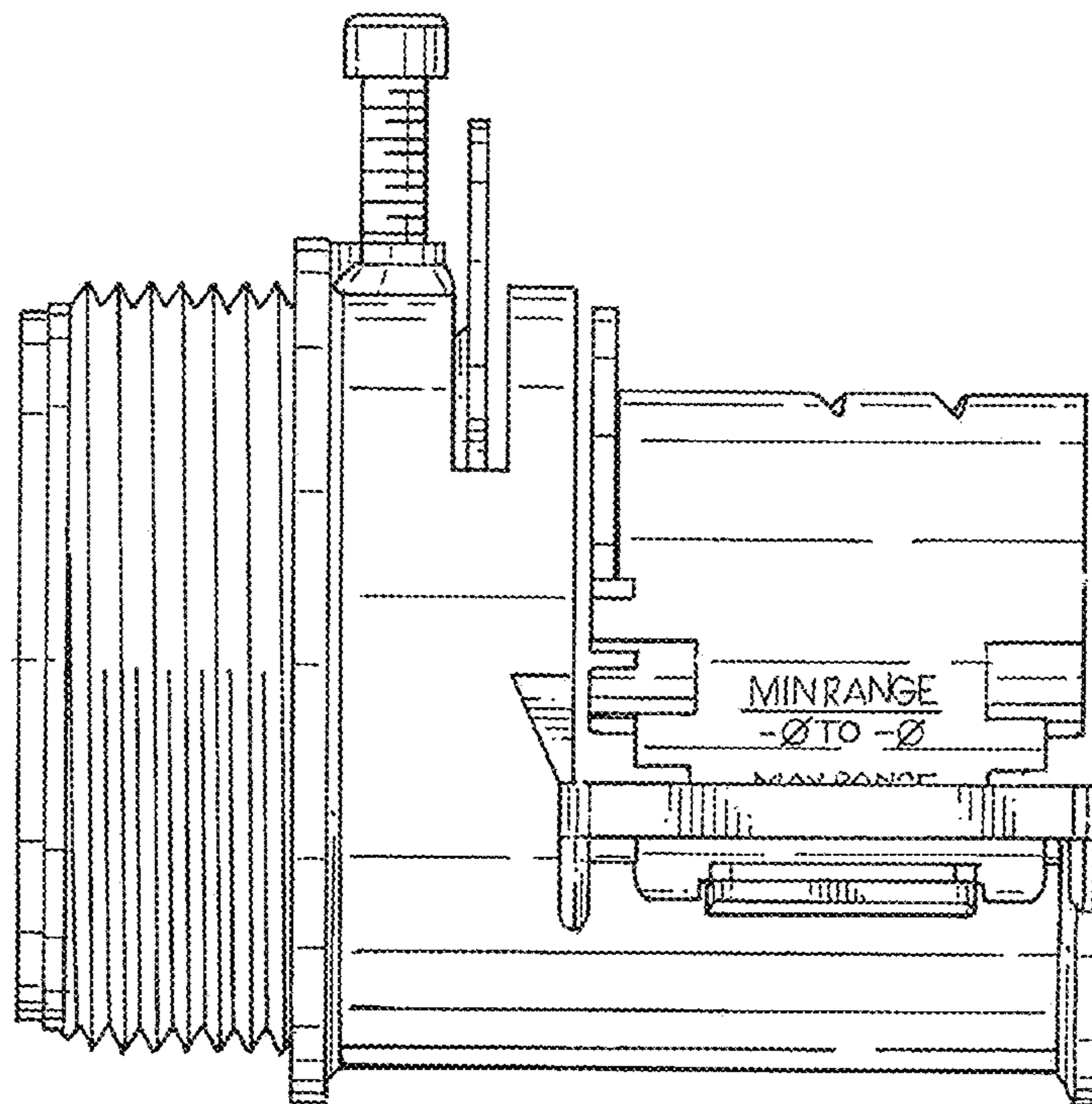


FIG. 3

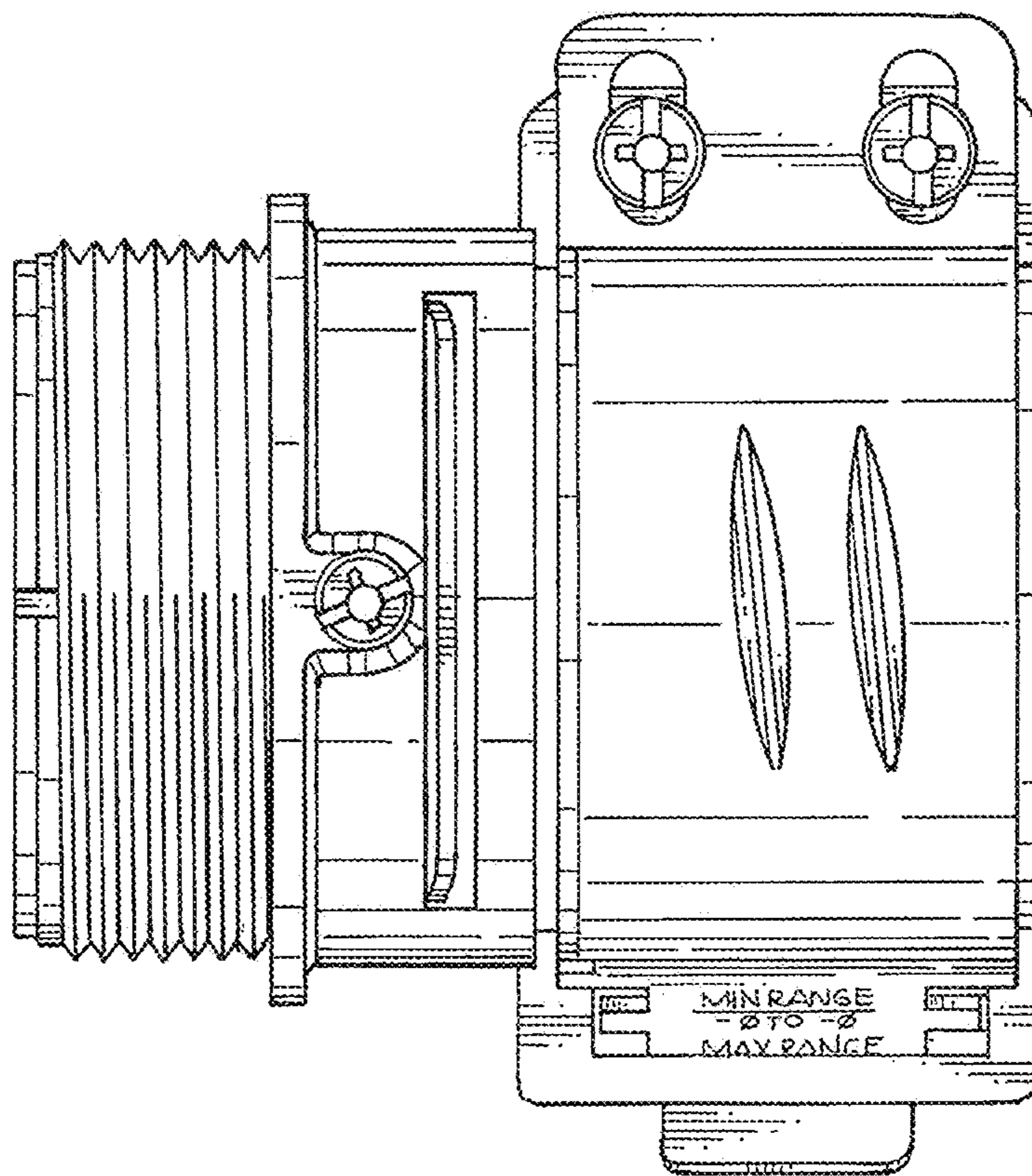
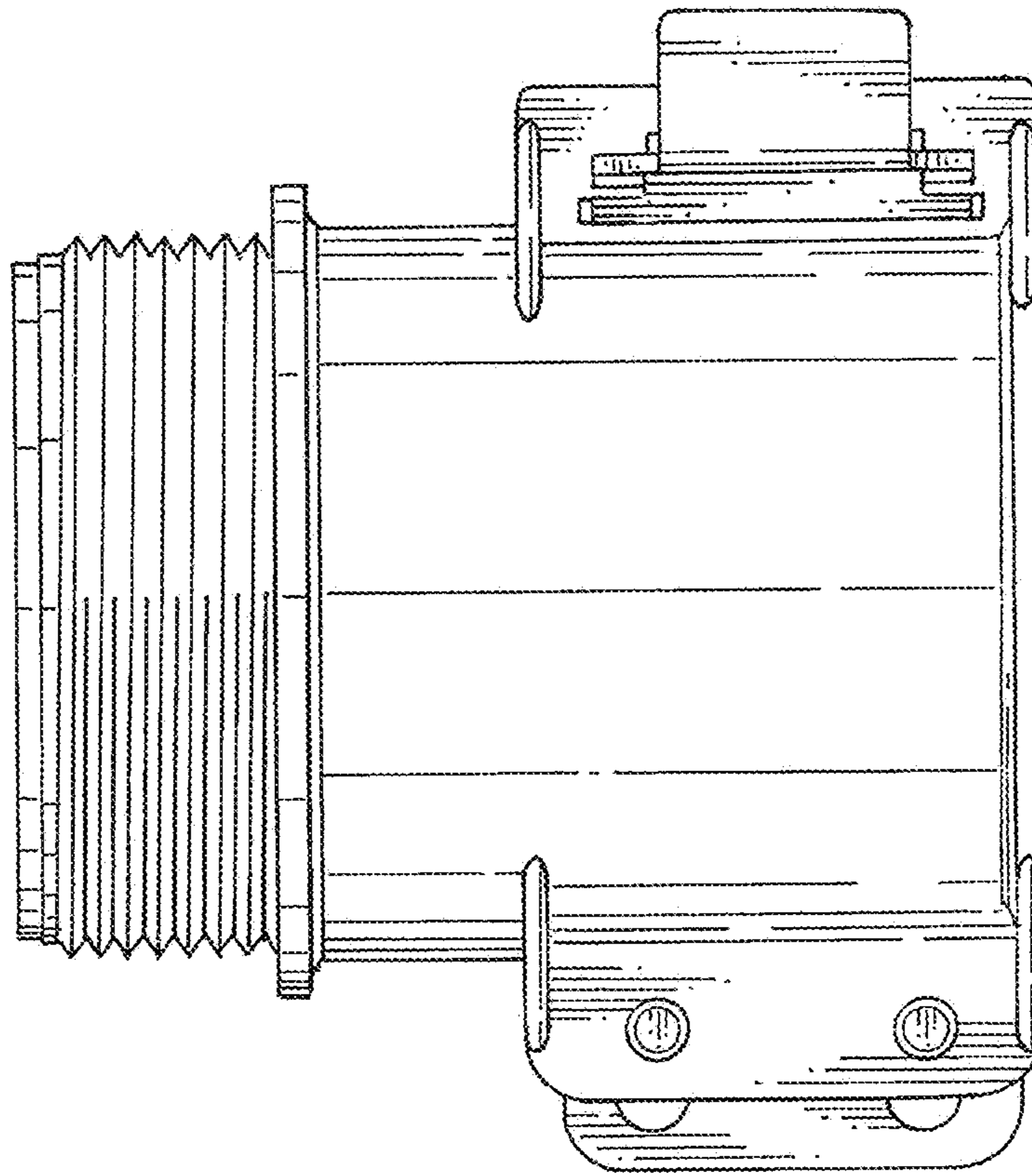
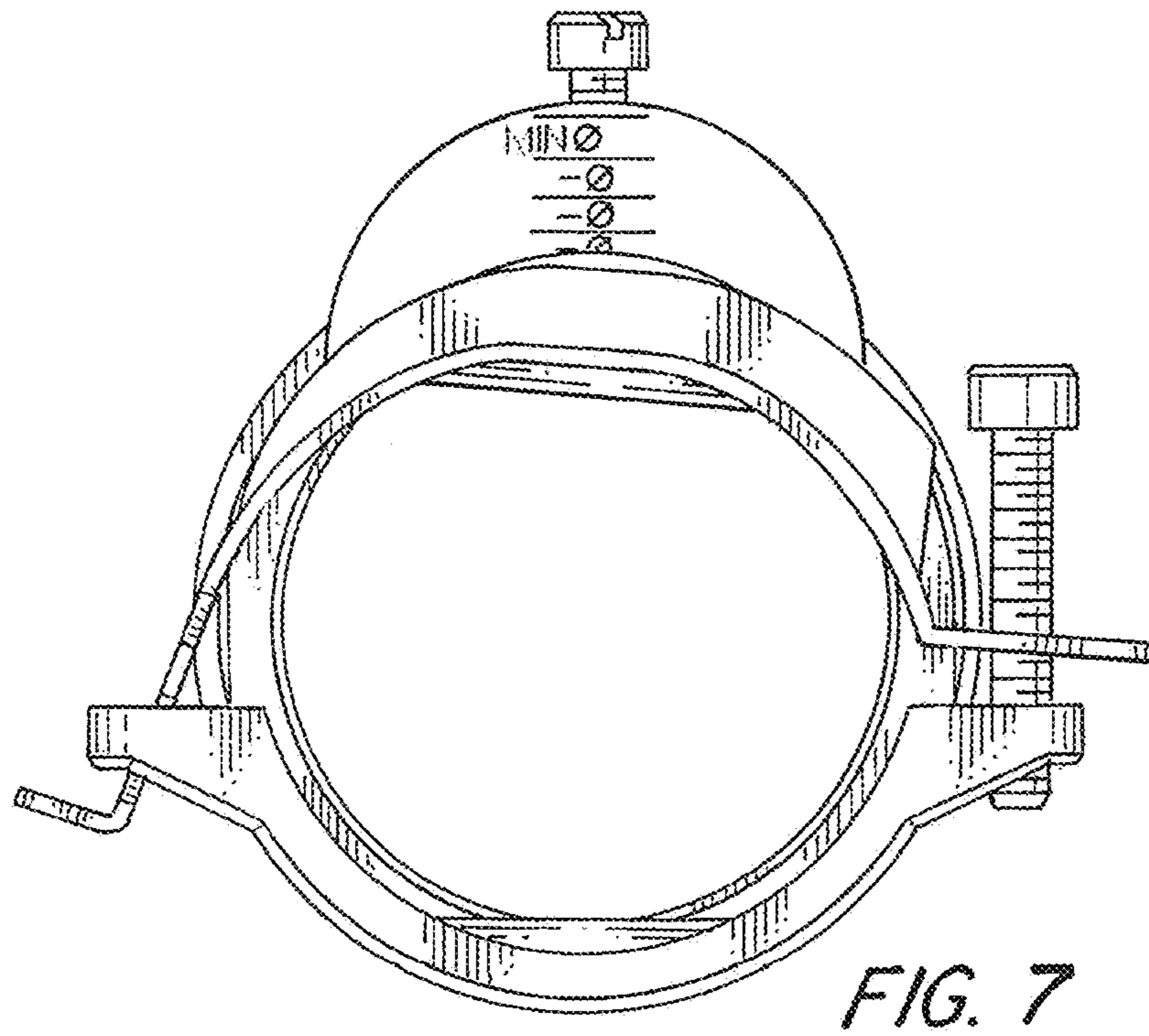
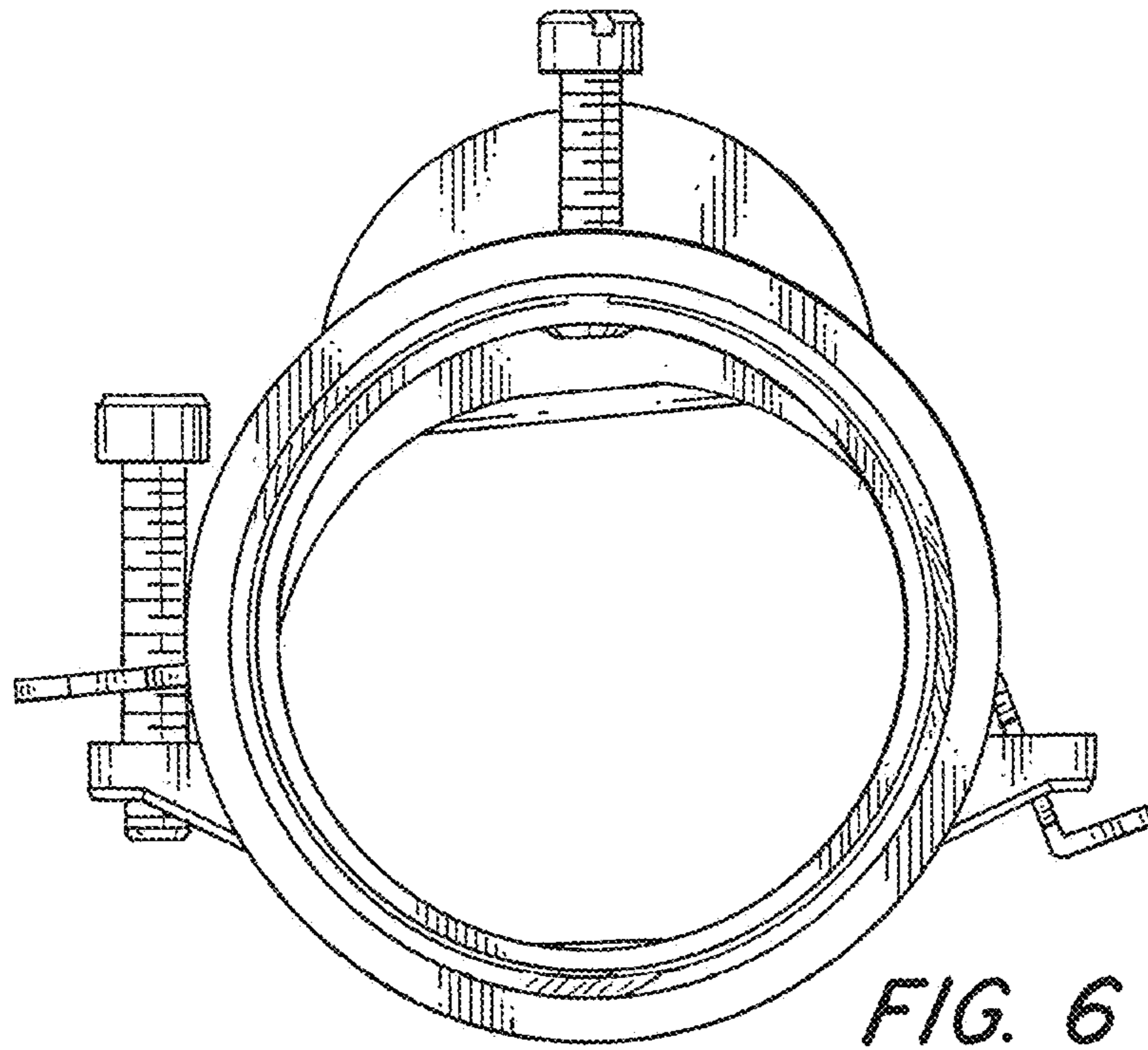
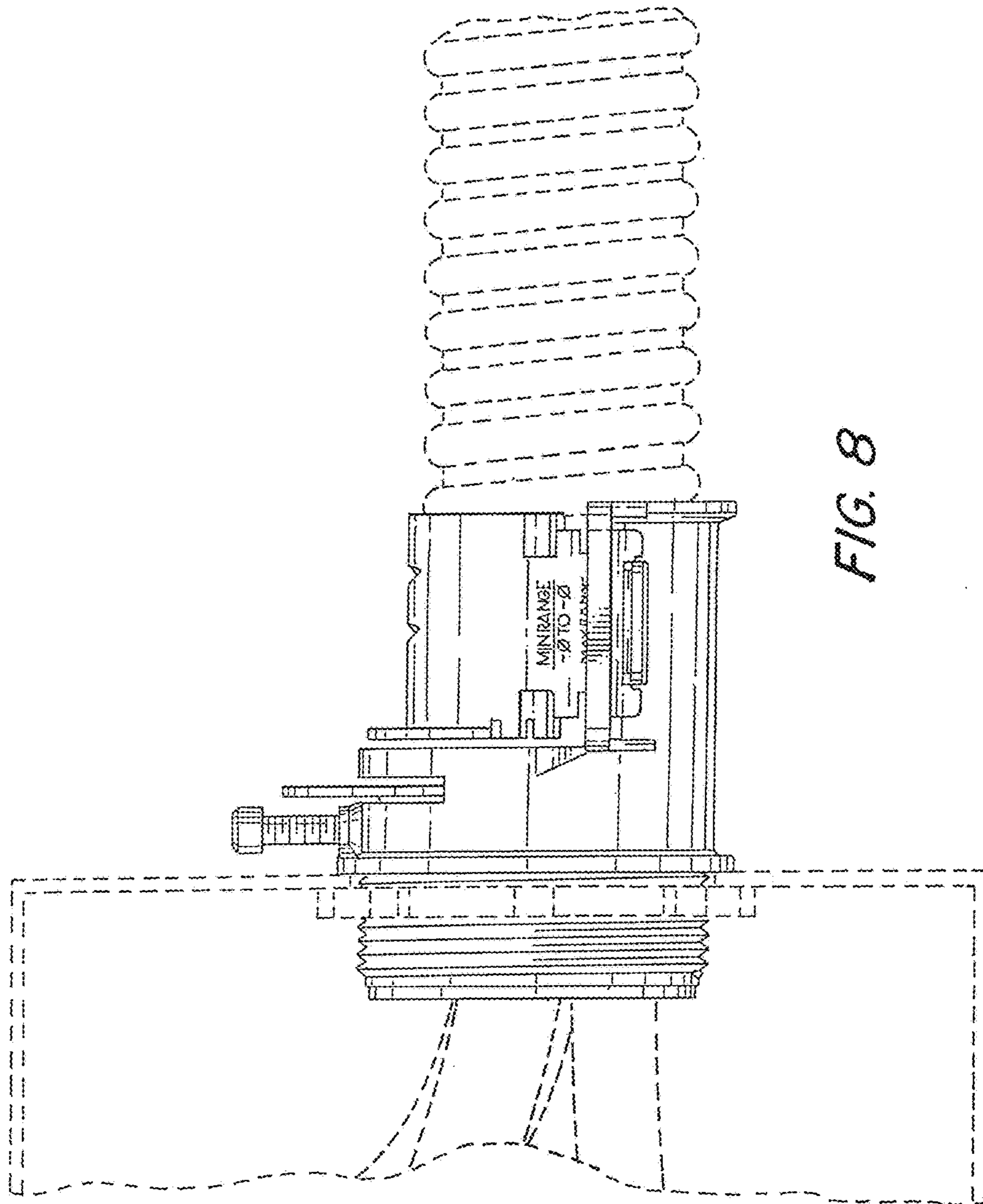


FIG. 4



*FIG. 5*







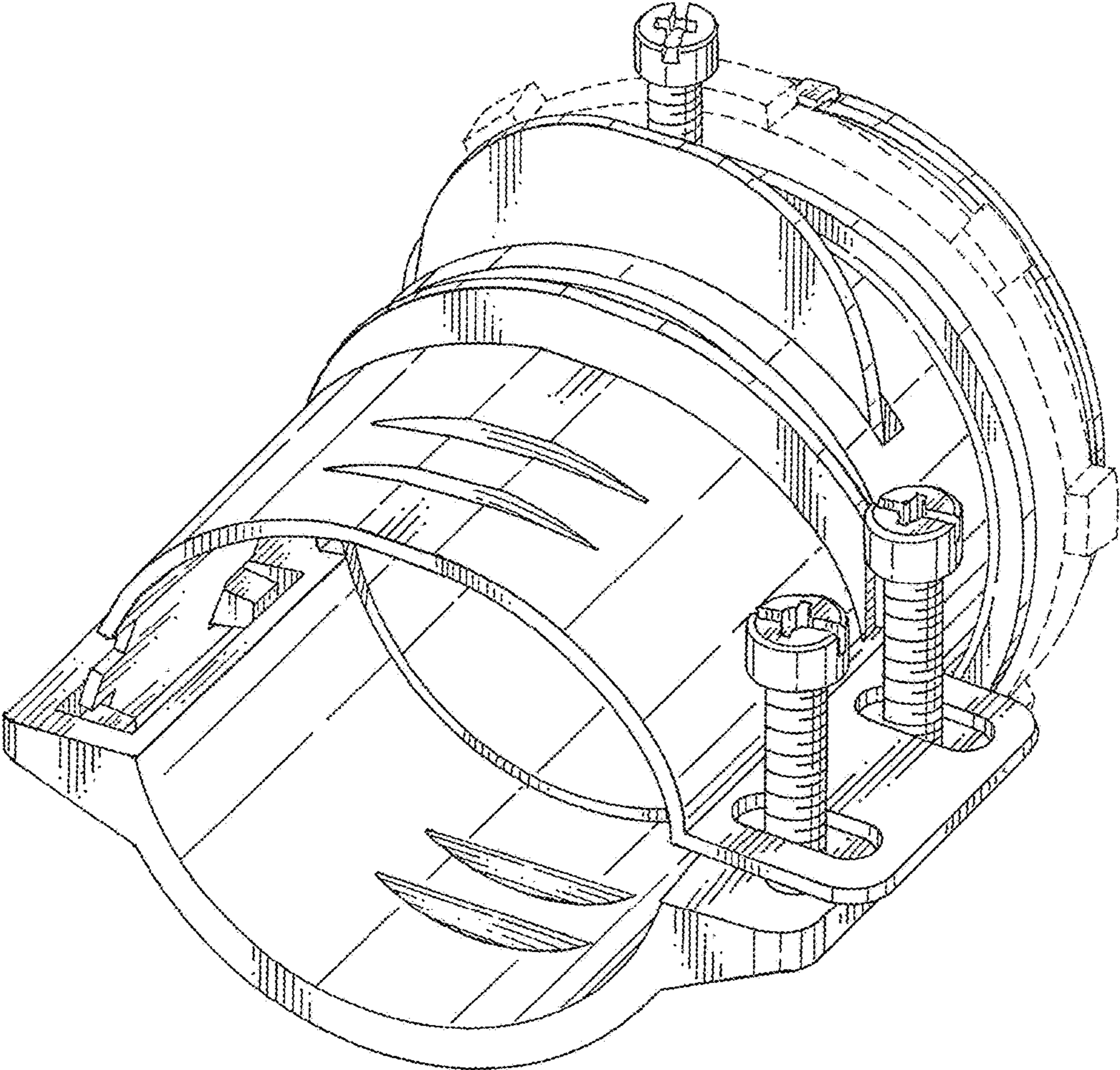


FIG. 9

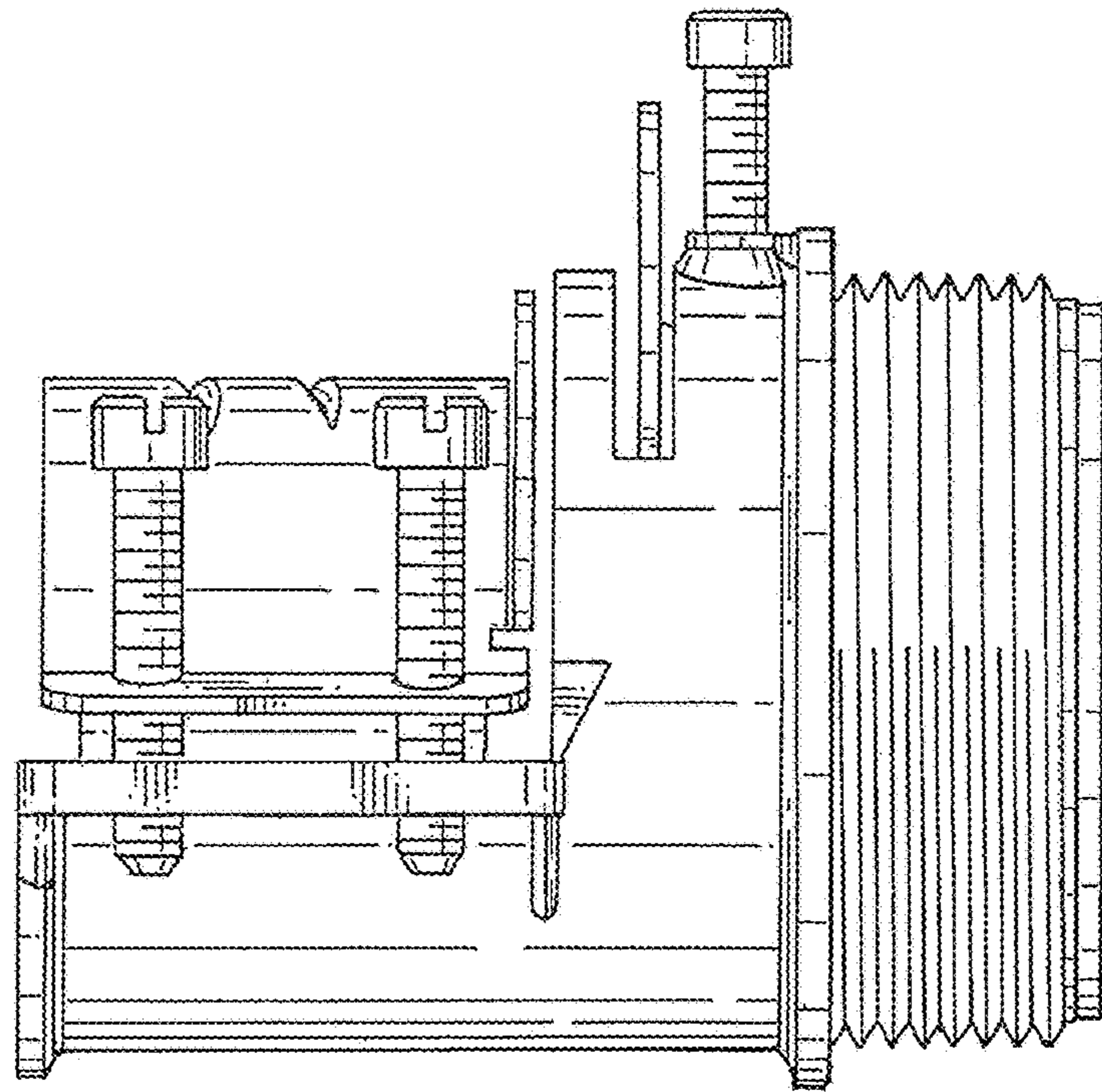


FIG. 10

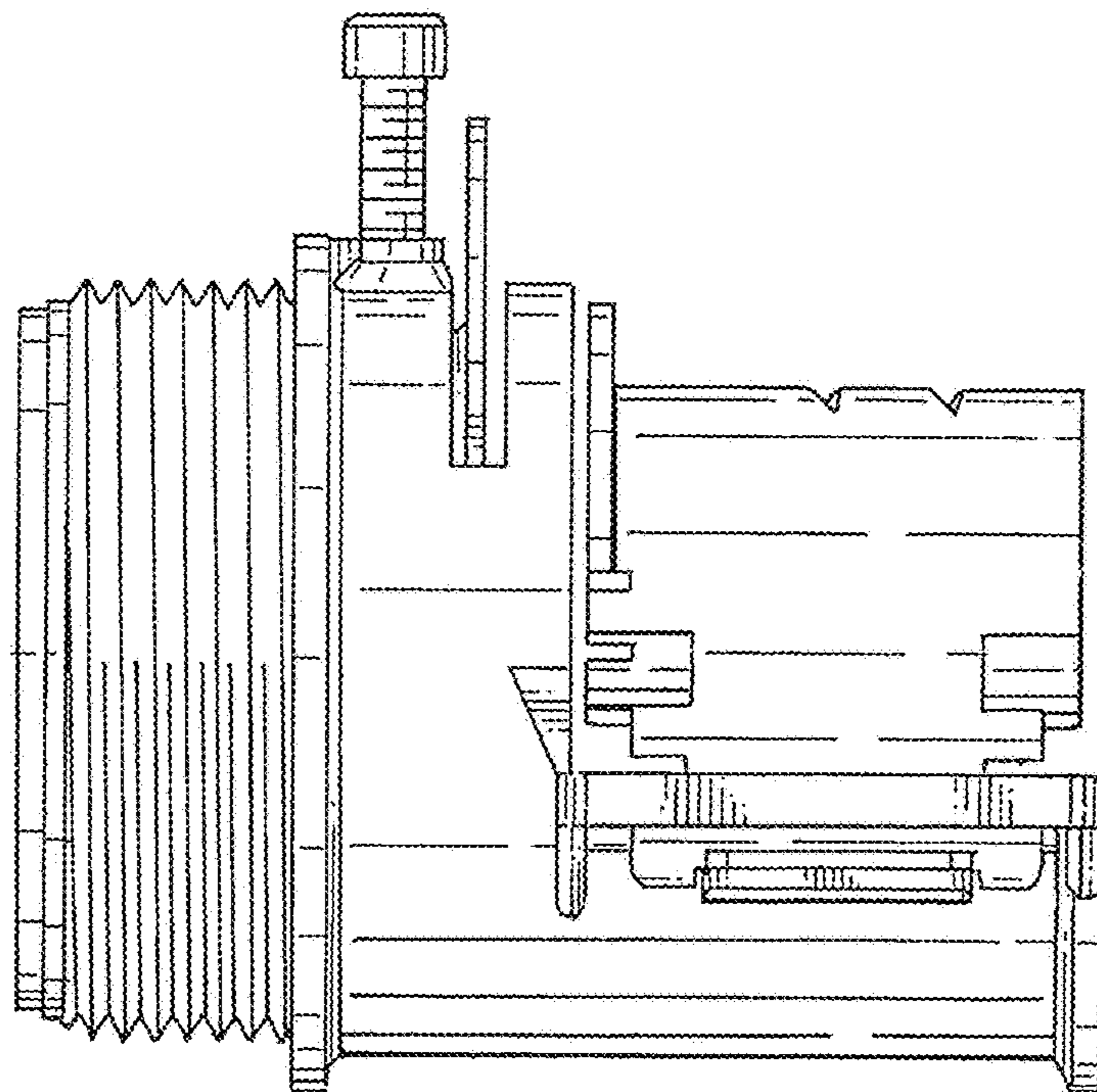


FIG. 11

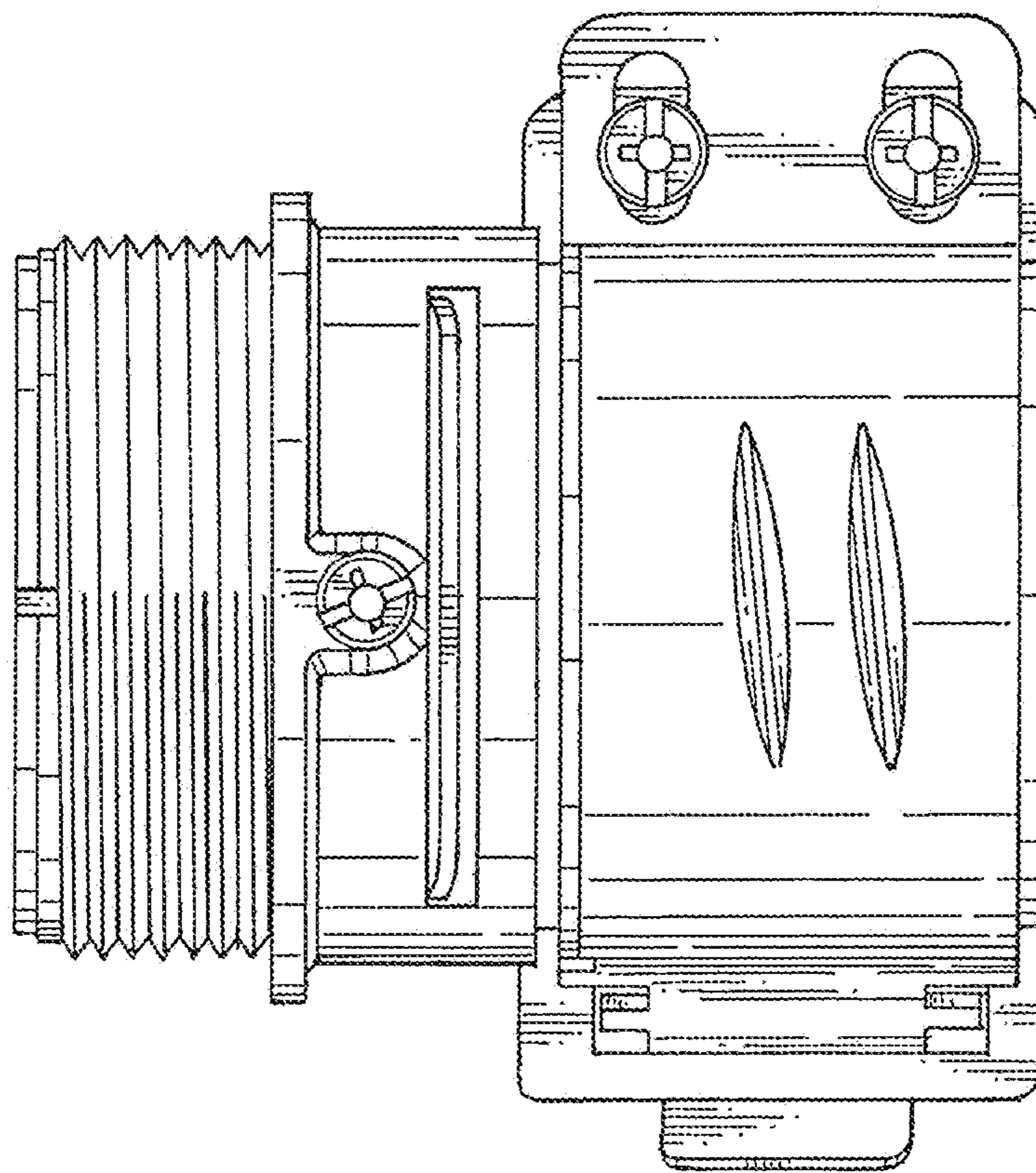
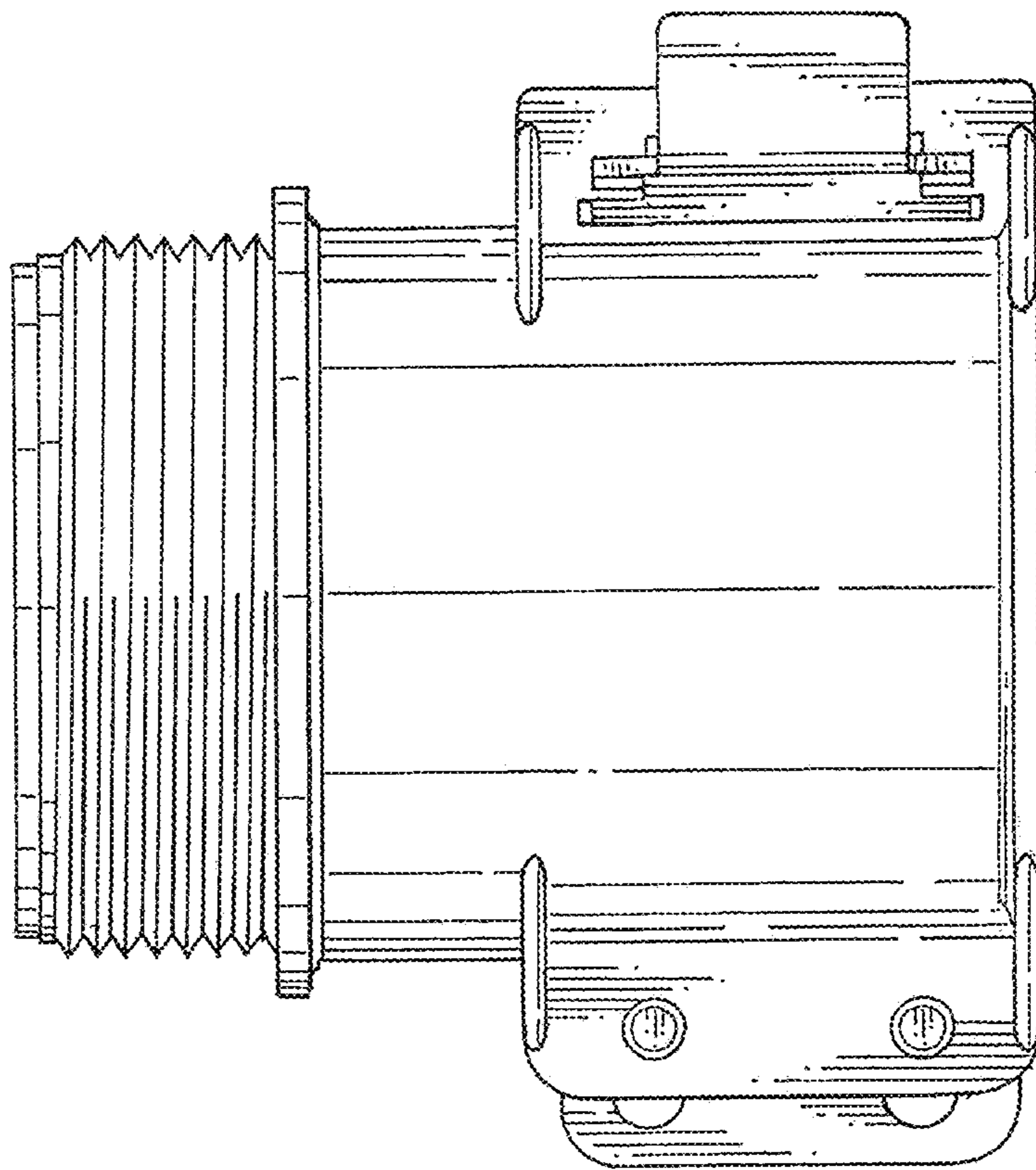
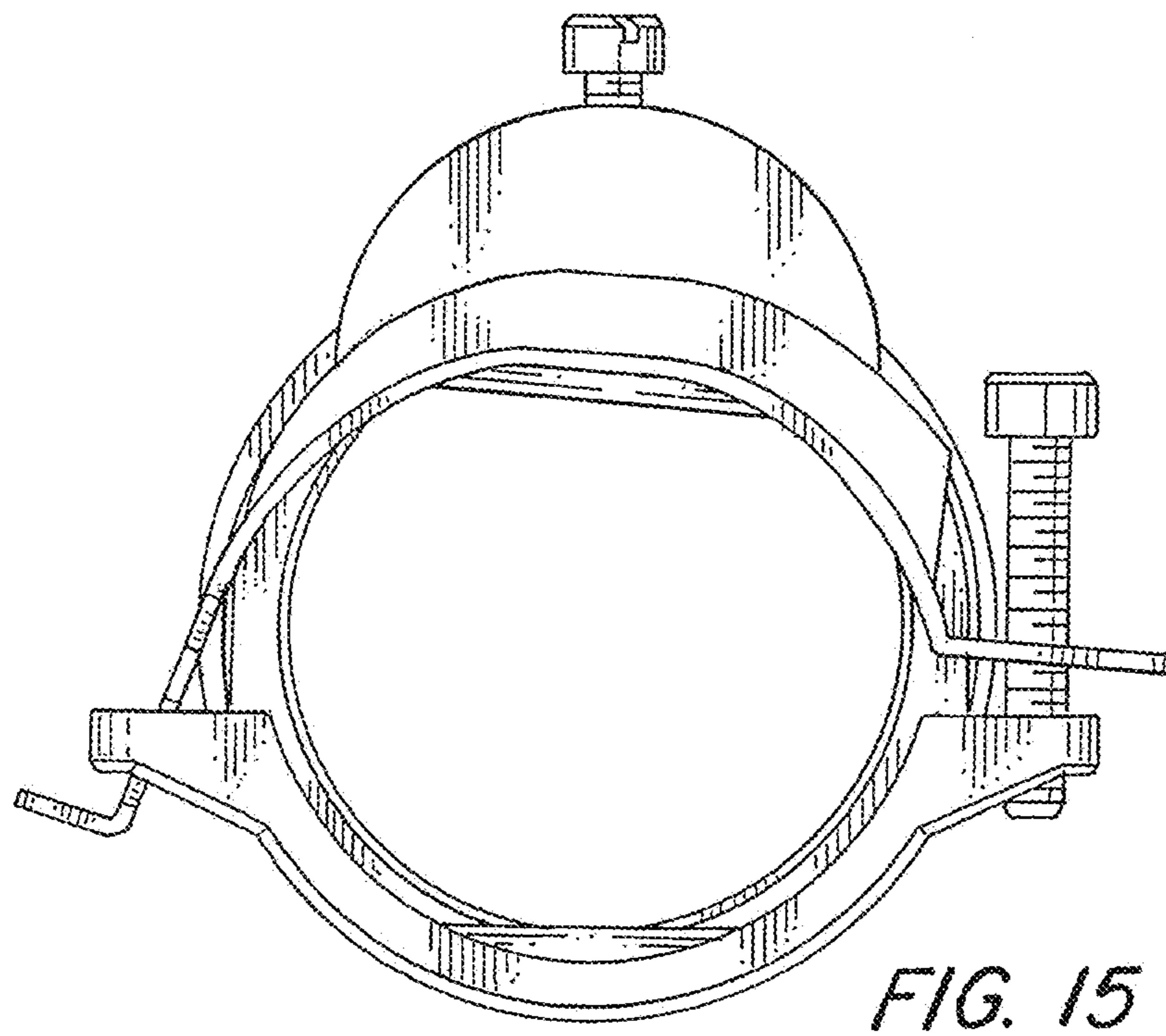
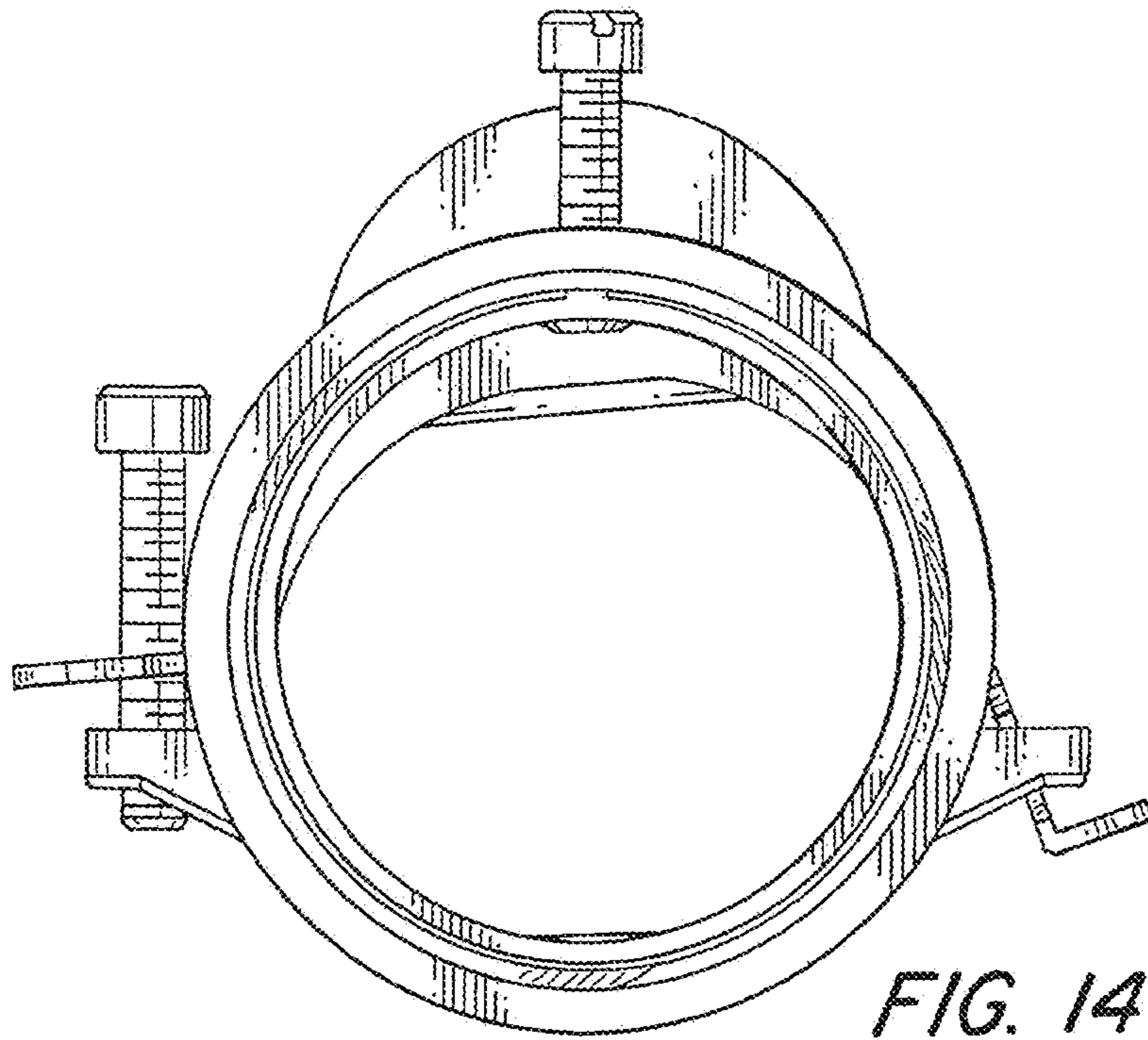


FIG. 12



*FIG. 13*



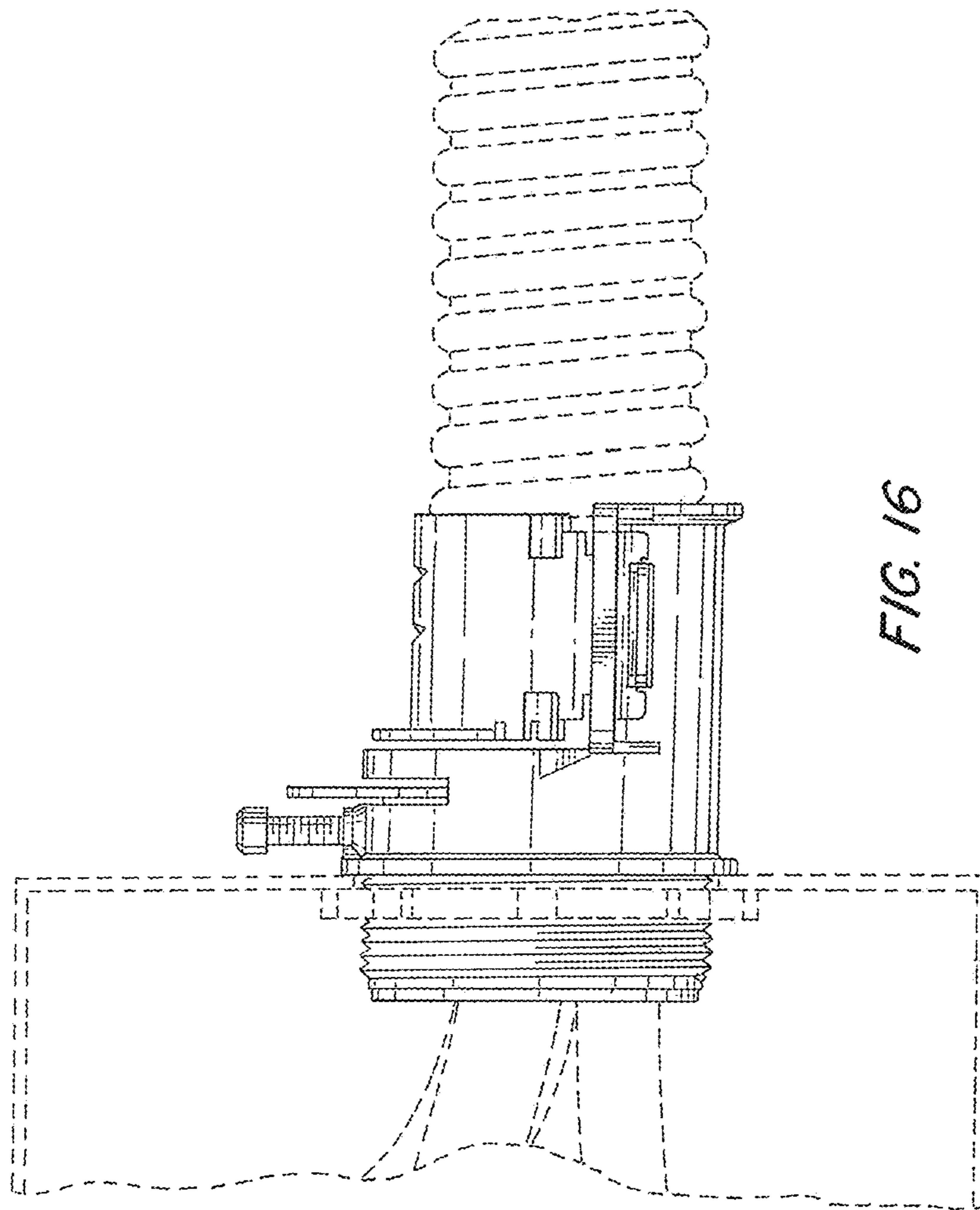


FIG. 16