



US00D788041S

(12) **United States Design Patent** (10) **Patent No.:** **US D788,041 S**
Akana et al. (45) **Date of Patent:** **** May 30, 2017**

(54) **CONNECTOR**

(71) Applicant: **Apple Inc.**, Cupertino, CA (US)

(72) Inventors: **Jody Akana**, San Francisco, CA (US); **Molly Anderson**, San Francisco, CA (US); **Bartley K. Andre**, Palo Alto, CA (US); **Shota Aoyagi**, San Francisco, CA (US); **Anthony Michael Ashcroft**, San Francisco, CA (US); **Jeremy Bataillou**, San Francisco, CA (US); **Daniel J. Coster**, San Francisco, CA (US); **Daniele De Iuliis**, San Francisco, CA (US); **M. Evans Hankey**, San Francisco, CA (US); **Julian Hoenig**, San Francisco, CA (US); **Richard P. Howarth**, San Francisco, CA (US); **Jonathan P. Ive**, San Francisco, CA (US); **Duncan Robert Kerr**, San Francisco, CA (US); **Matthew Dean Rohrbach**, San Francisco, CA (US); **Peter Russell-Clarke**, San Francisco, CA (US); **Benjamin Andrew Shaffer**, San Jose, CA (US); **Mikael Silvano**, San Francisco, CA (US); **Christopher J. Stringer**, Woodside, CA (US); **Eugene Antony Whang**, San Francisco, CA (US); **Rico Zörkendörfer**, San Francisco, CA (US)

(73) Assignee: **Apple Inc.**, Cupertino, CA (US)

(**) Term: **14 Years**

(21) Appl. No.: **29/519,786**

(22) Filed: **Mar. 8, 2015**

(51) **LOC (10) Cl.** **13-03**

(52) **U.S. Cl.**
USPC **D13/147**

(58) **Field of Classification Search**

USPC D13/133, 146, 147, 154, 184, 199;
D14/433, 434, 435, 435.1, 436, 438;
D24/129
CPC H01R 13/58; H01R 13/5845; H01R 13/02;
H01R 13/03; H01R 13/405; H01R
13/648; H01R 13/506; H01R 13/516;
H01R 12/57; H01R 13/6585; H01R
24/60; H01R 2107/00; B29C 70/84;
B29C 70/88; B29C 70/885
See application file for complete search history.

(56) **References Cited**

U.S. PATENT DOCUMENTS

4,129,352 A * 12/1978 Iizuka H01R 24/568
439/675
D304,028 S 10/1989 Matsuzaki
(Continued)

FOREIGN PATENT DOCUMENTS

JP D1459403 1/2013
JP 1524453 5/2015

Primary Examiner — Daniel Bui

(74) *Attorney, Agent, or Firm* — Saidman DesignLaw Group, LLC

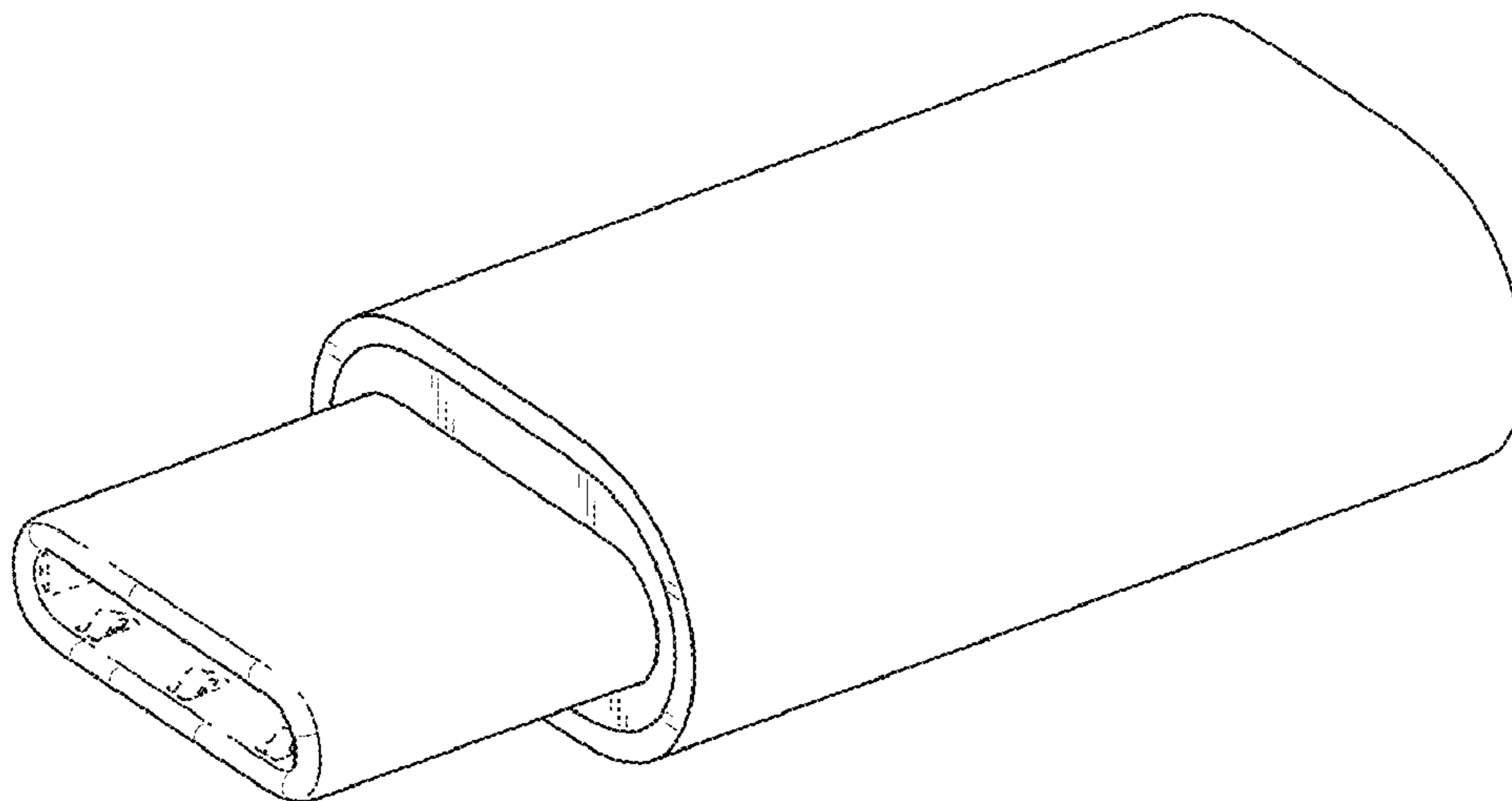
(57) **CLAIM**

The ornamental design for a connector, as shown and described.

DESCRIPTION

FIG. 1 is a perspective view of a connector showing our new design;
FIG. 2 is a front view thereof, the rear view being a mirror image;
FIG. 3 is a top view thereof, the bottom view being identical;
FIG. 4 is a left side view thereof; and,
FIG. 5 is a right side view thereof.
The dashed broken lines represent structure or features that form no part of the claimed design.

1 Claim, 3 Drawing Sheets



(56)

References Cited

U.S. PATENT DOCUMENTS

D319,043 S *	8/1991	Hayashi	D13/133	D713,350 S	9/2014	Akana et al.	
D319,813 S *	9/1991	Kozono	D13/133	D713,351 S	9/2014	Akana et al.	
D333,293 S *	2/1993	Ashida	D13/147	D713,352 S	9/2014	Akana et al.	
D363,700 S	10/1995	Buongervino et al.			D713,796 S	9/2014	Akana et al.	
D399,047 S	10/1998	Yoshida et al.			D714,729 S	10/2014	Akana et al.	
D406,816 S *	3/1999	Hopper	D13/146	D717,731 S *	11/2014	Lee D13/133
D416,065 S *	11/1999	Dunn	D21/814	D721,654 S *	1/2015	Leem D13/146
D436,927 S	1/2001	Hogan			D731,434 S	6/2015	Akana et al.	
D487,724 S *	3/2004	Hsiao	D13/145	D732,035 S	6/2015	Akana et al.	
D488,130 S *	4/2004	Hsiao	D13/145	D733,142 S	6/2015	Solomon et al.	
D521,936 S	5/2006	Novotney et al.			D734,272 S	7/2015	Dang et al.	
D522,463 S	6/2006	Novotney et al.			D742,320 S	11/2015	Akana et al.	
7,094,089 B2	8/2006	Andre et al.			D743,399 S	11/2015	Frank	
D546,290 S *	7/2007	Yamada	D13/147	D744,428 S *	12/2015	Rodriguez D13/147
D552,604 S	10/2007	Andre et al.			D746,291 S	12/2015	Solomon et al.	
D572,197 S *	7/2008	Chawgo	D13/133	D746,780 S	1/2016	Akana et al.	
D579,876 S	11/2008	Novotney et al.			2007/0229025 A1	10/2007	Tsai et al.	
D580,436 S	11/2008	Kiyomiya et al.			2013/0021741 A1	1/2013	Huang	
D582,850 S *	12/2008	Andre	D13/133	2015/0194768 A1 *	7/2015	Little H01R 13/6594 439/607.37
D600,652 S	9/2009	Hong et al.			2015/0340815 A1 *	11/2015	Gao H01R 13/6581 439/607.01
D617,286 S *	6/2010	Montena	D13/154	2016/0043517 A1 *	2/2016	Wu H01R 9/0515 439/629
D619,963 S	7/2010	Hou			2016/0079689 A1 *	3/2016	Wu B23K 1/0016 439/581
D621,785 S	8/2010	Nickol			2016/0079714 A1 *	3/2016	Wu H01R 13/6585 439/607.05
D636,337 S	4/2011	Smith et al.			2016/0093987 A1 *	3/2016	Wu H01R 13/665 439/620.22
D638,797 S *	5/2011	Ohmori	D13/133	2016/0141803 A1 *	5/2016	Hsu H01R 13/6585 439/607.55
D647,480 S *	10/2011	Ohmori	D13/133	2016/0141822 A1 *	5/2016	Hijazi H01R 43/205 361/679.31
8,305,750 B2	11/2012	Hsieh			2016/0149338 A1 *	5/2016	Xing H01R 13/5845 439/449
D684,538 S	6/2013	Akana et al.			2016/0172791 A1 *	6/2016	Fan H01R 13/6585 439/607.05
D684,539 S	6/2013	Akana et al.			2016/0172795 A1 *	6/2016	Zhou H01R 13/7175 439/620.21
D684,976 S	6/2013	Akana et al.			2016/0172804 A1 *	6/2016	Wu H01R 24/60 439/676
8,454,388 B2	6/2013	Song			2016/0204562 A1 *	7/2016	Chen H01R 43/16 29/428
8,456,826 B2	6/2013	Mao			2016/0226199 A1 *	8/2016	Zhou H01R 13/7172
D686,217 S	7/2013	Andre						
D692,390 S	10/2013	Smith et al.						
D694,243 S	11/2013	Akana et al.						
D699,188 S	2/2014	Akana et al.						
D703,145 S	4/2014	Akana et al.						
D705,175 S *	5/2014	Chu	D13/147				
D705,738 S *	5/2014	Schmidt	D13/146				
D707,180 S *	6/2014	Yi	D13/147				
D707,181 S *	6/2014	Schmidt	D13/147				
D707,680 S	6/2014	Akana et al.						
D707,681 S	6/2014	Akana et al.						
D707,689 S	6/2014	Billington						
D709,032 S	7/2014	Akana et al.						

* cited by examiner

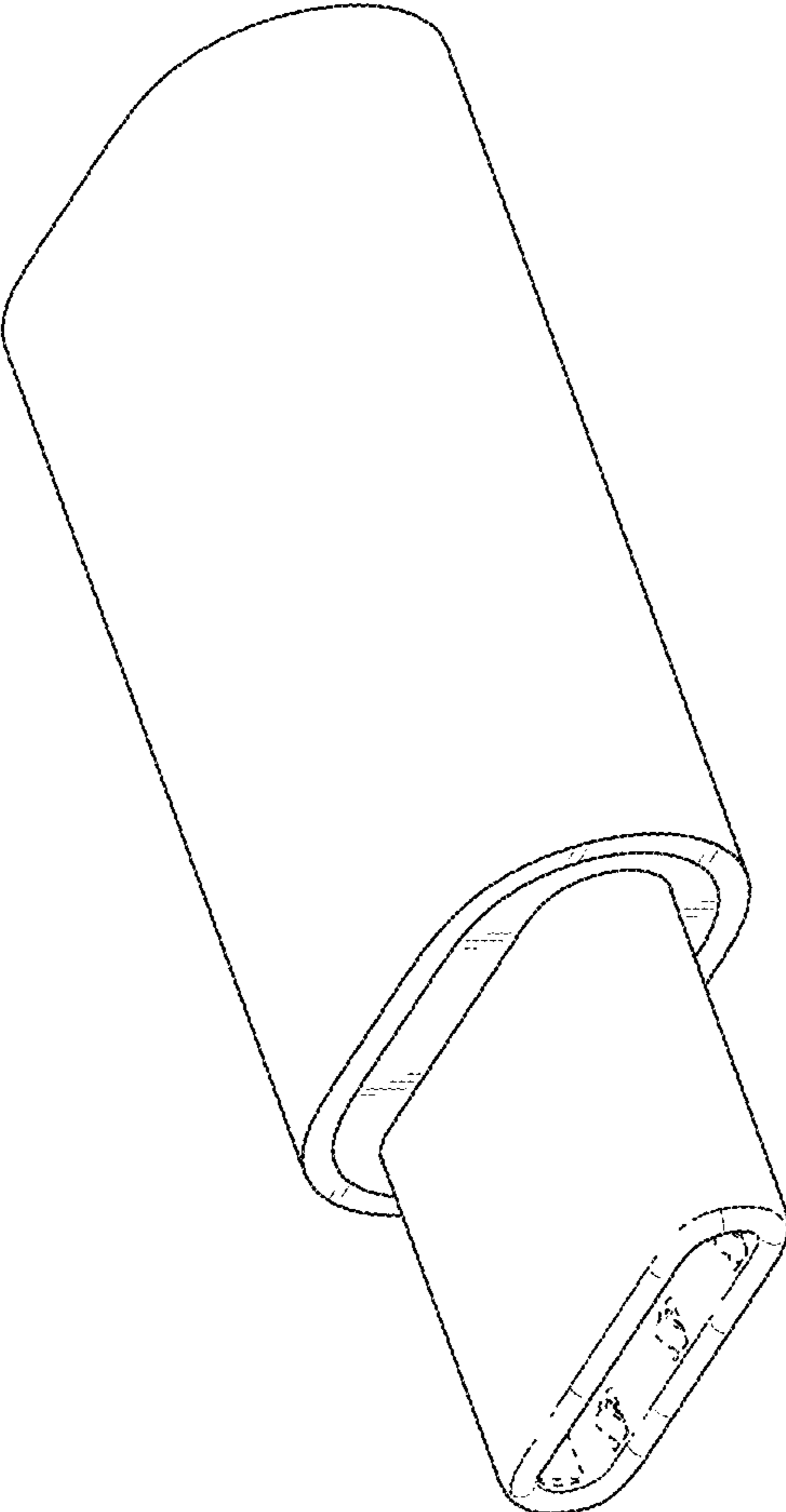


Fig. 1

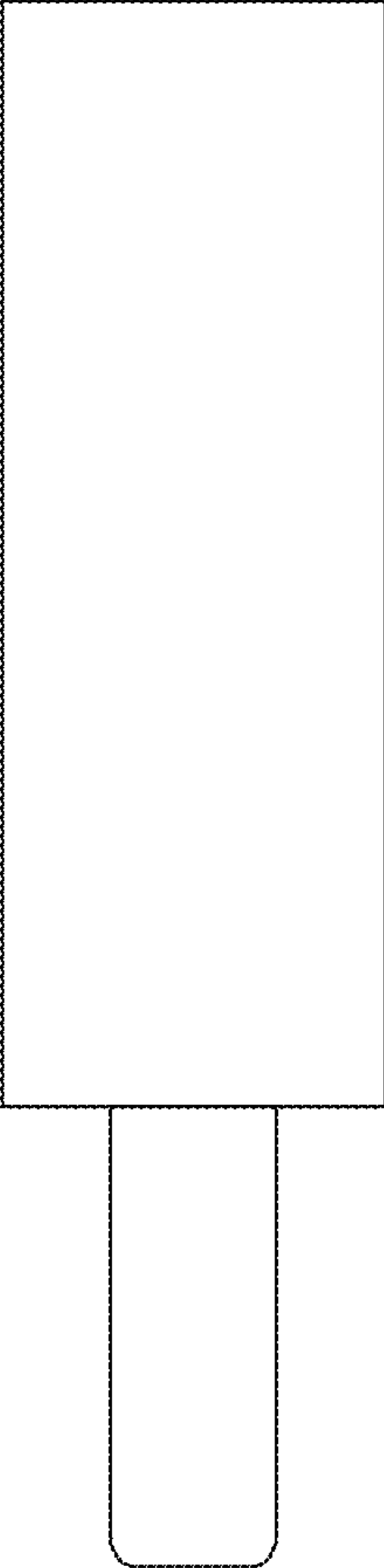


Fig. 2

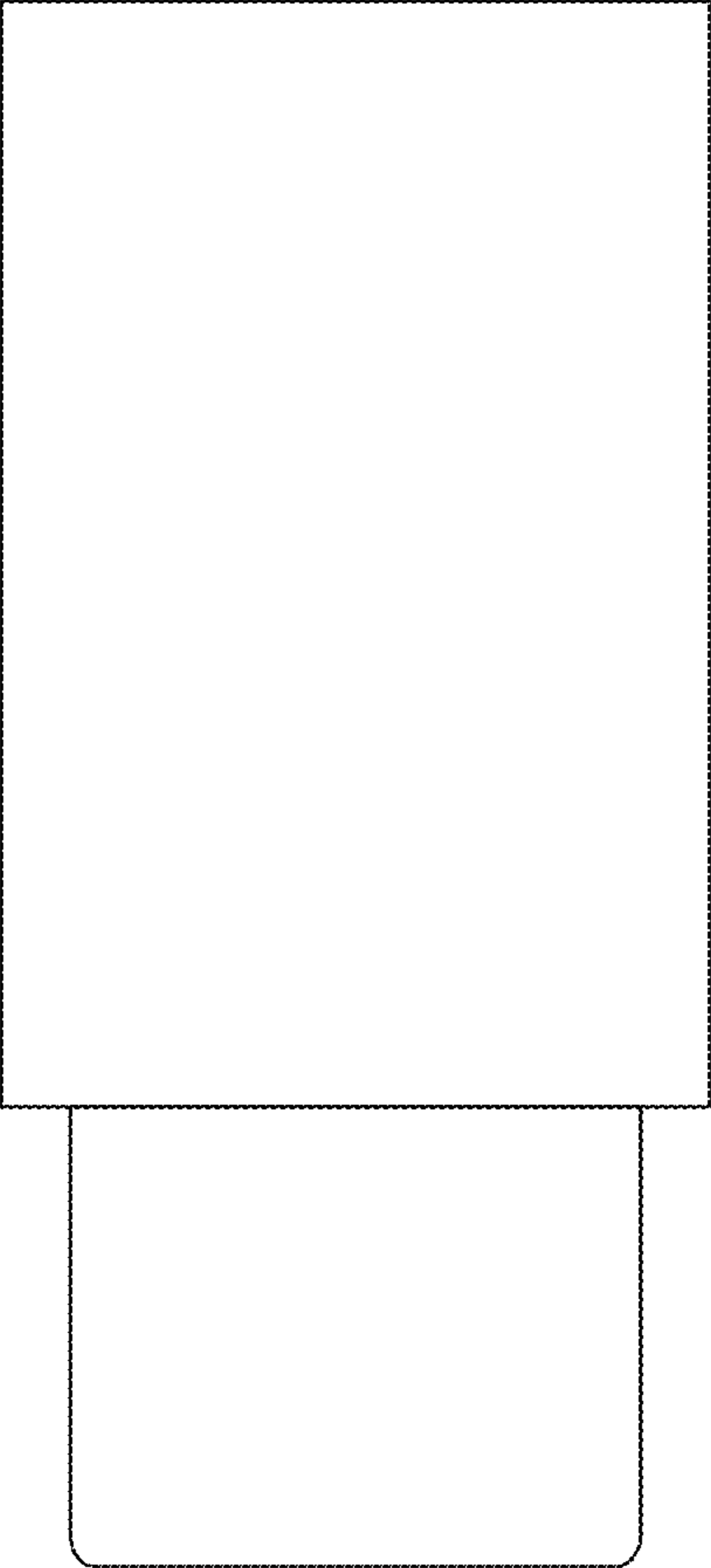


Fig. 3

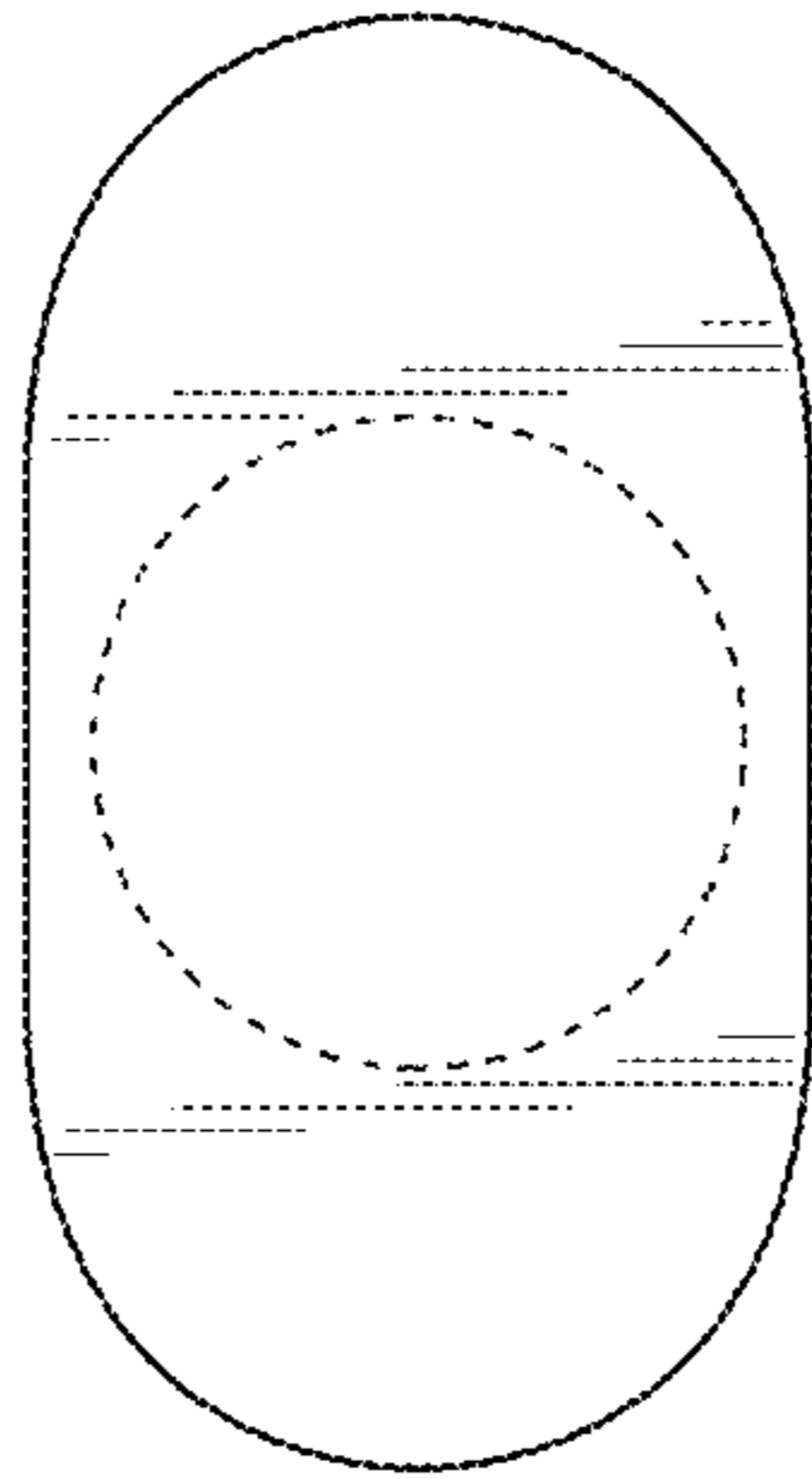


Fig. 5

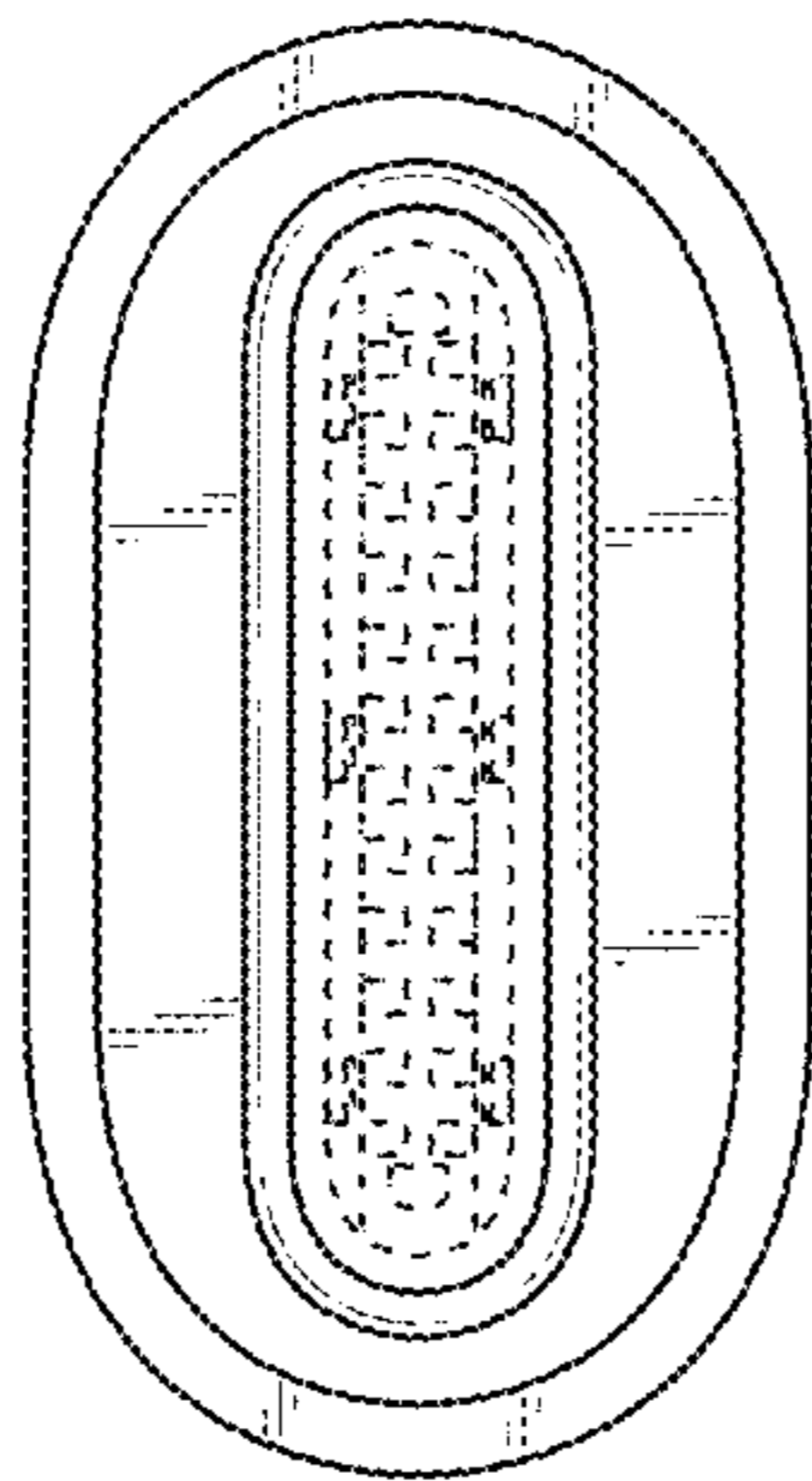


Fig. 4