



US00D788040S

(12) **United States Design Patent**
Suica et al.

(10) **Patent No.:** **US D788,040 S**
(45) **Date of Patent:** **** May 30, 2017**

- (54) **ELECTRICAL RECEPTACLE TESTER**
- (71) Applicant: **Hubbell Incorporated**, Shelton, CT (US)
- (72) Inventors: **Samuel Thomas Suica**, Las Vegas, NV (US); **Thomas L Scanzillo**, Monroe, CT (US)
- (73) Assignee: **Hubbell Incorporated**, Shelton, CT (US)
- (**) Term: **15 Years**
- (21) Appl. No.: **29/578,400**
- (22) Filed: **Sep. 21, 2016**

Related U.S. Application Data

- (62) Division of application No. 29/504,596, filed on Oct. 7, 2014, now Pat. No. Des. 770,385.
- (51) **LOC (10) Cl.** **13-03**
- (52) **U.S. Cl.**
USPC **D13/146**
- (58) **Field of Classification Search**
USPC D13/133, 146, 147, 154, 184, 199;
324/508
CPC H01R 13/00; G01R 19/00; G01R 19/145;
G01R 31/04; G01R 31/041; G01R 31/043; G01R 31/045; G01R 31/046;
G01R 31/048
See application file for complete search history.

(56) **References Cited**

U.S. PATENT DOCUMENTS

- 3,945,702 A 3/1976 Poliak
- 4,003,622 A 1/1977 Gartland

- 4,929,887 A 5/1990 Robitaille
- D370,890 S * 6/1996 Tiberio, Jr. D13/146
- D371,112 S * 6/1996 Anthony D13/146
- D372,221 S * 7/1996 Anthony D13/146
- 5,641,310 A * 6/1997 Tiberio, Jr. H01R 13/625
439/680
- 6,462,555 B1 10/2002 Schaefer
- 6,982,558 B2 1/2006 Bryndzia et al.
- 7,030,624 B1 4/2006 Love
- 7,248,056 B2 7/2007 Waldschmidt
- D667,792 S 9/2012 Angel
- D702,183 S 4/2014 Benedict
- D770,385 S * 11/2016 Suica D13/146
- 2003/0114042 A1 * 6/2003 Mortun H01R 13/5837
439/449
- 2016/0097802 A1 * 4/2016 Suica G01R 31/041
324/508

* cited by examiner

Primary Examiner — Daniel Bui

(74) *Attorney, Agent, or Firm* — Wissing Miller LLP

(57) **CLAIM**

The ornamental design for an electrical receptacle tester, as shown and described.

DESCRIPTION

FIG. 1 is a top, first side perspective view of our new design for an electrical receptacle tester in accordance with the present invention;

FIG. 2 is a top, second side perspective view thereof;

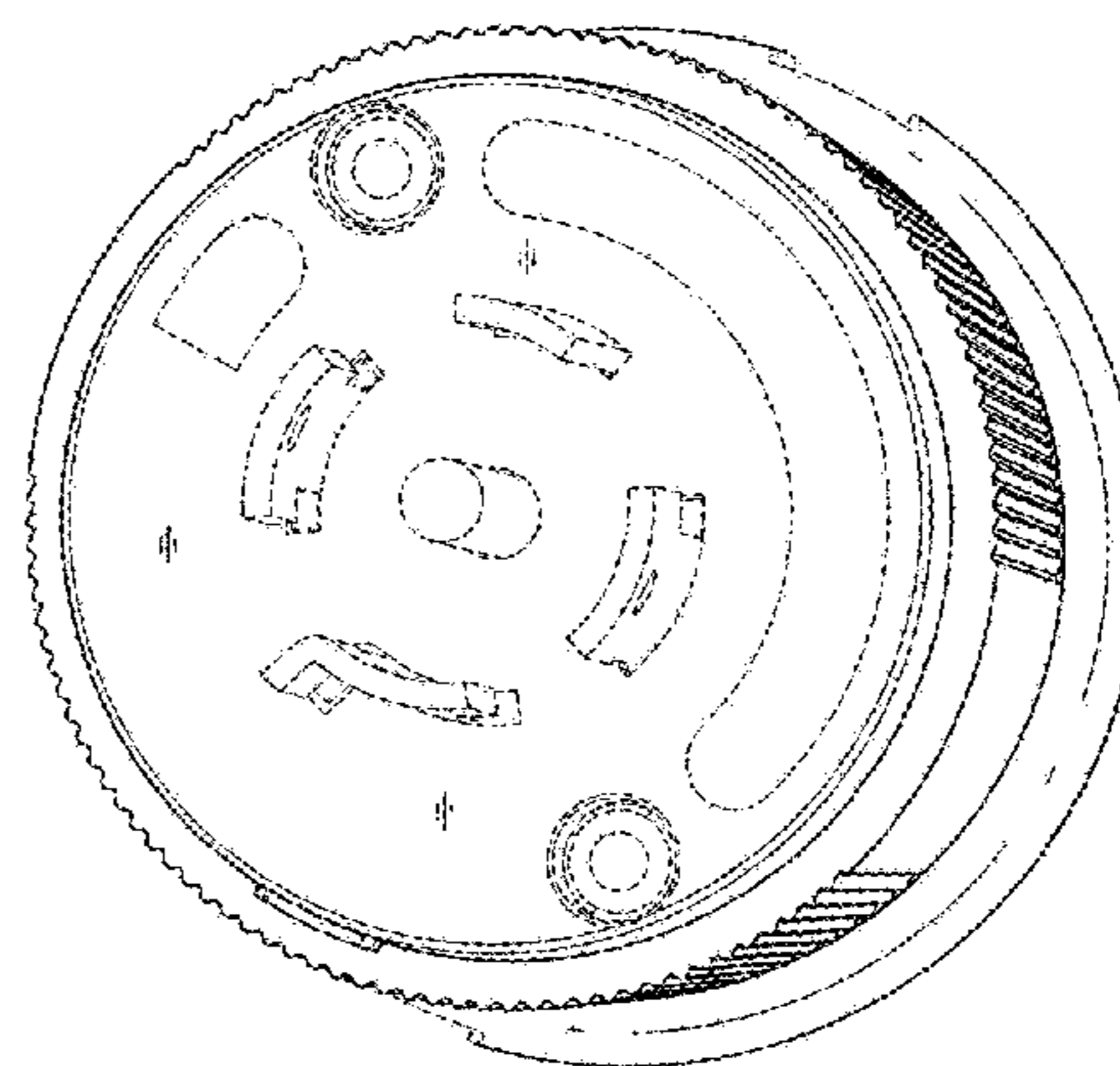
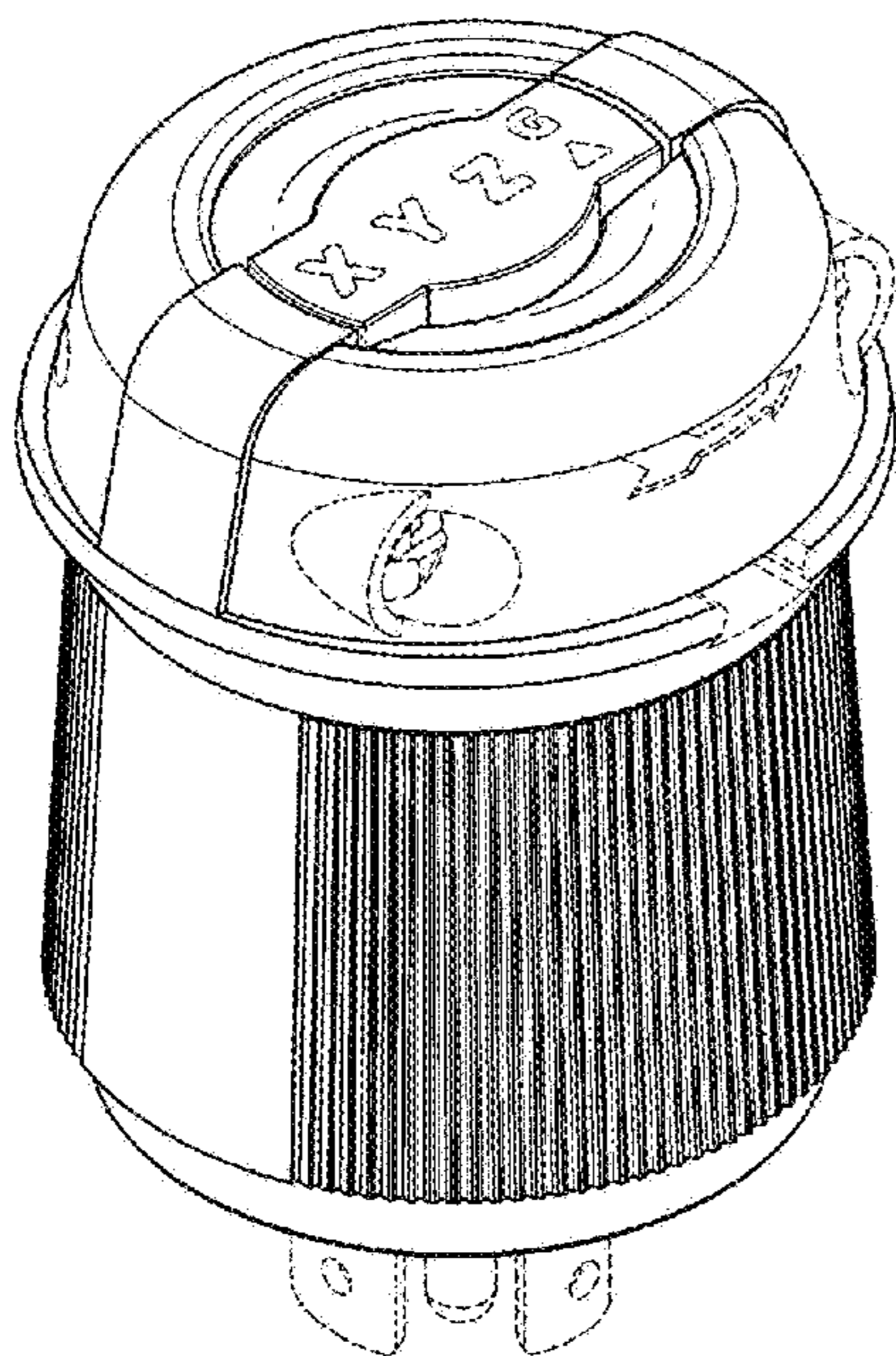
FIG. 3 is a side elevational view of the first side thereof;

FIG. 4 is a bottom perspective view thereof; and,

FIG. 5 is a top view thereof.

The broken lines within the various embodiments of the claimed design and the spaces therein are for environmental purposes only and form no part of the claimed design.

1 Claim, 3 Drawing Sheets



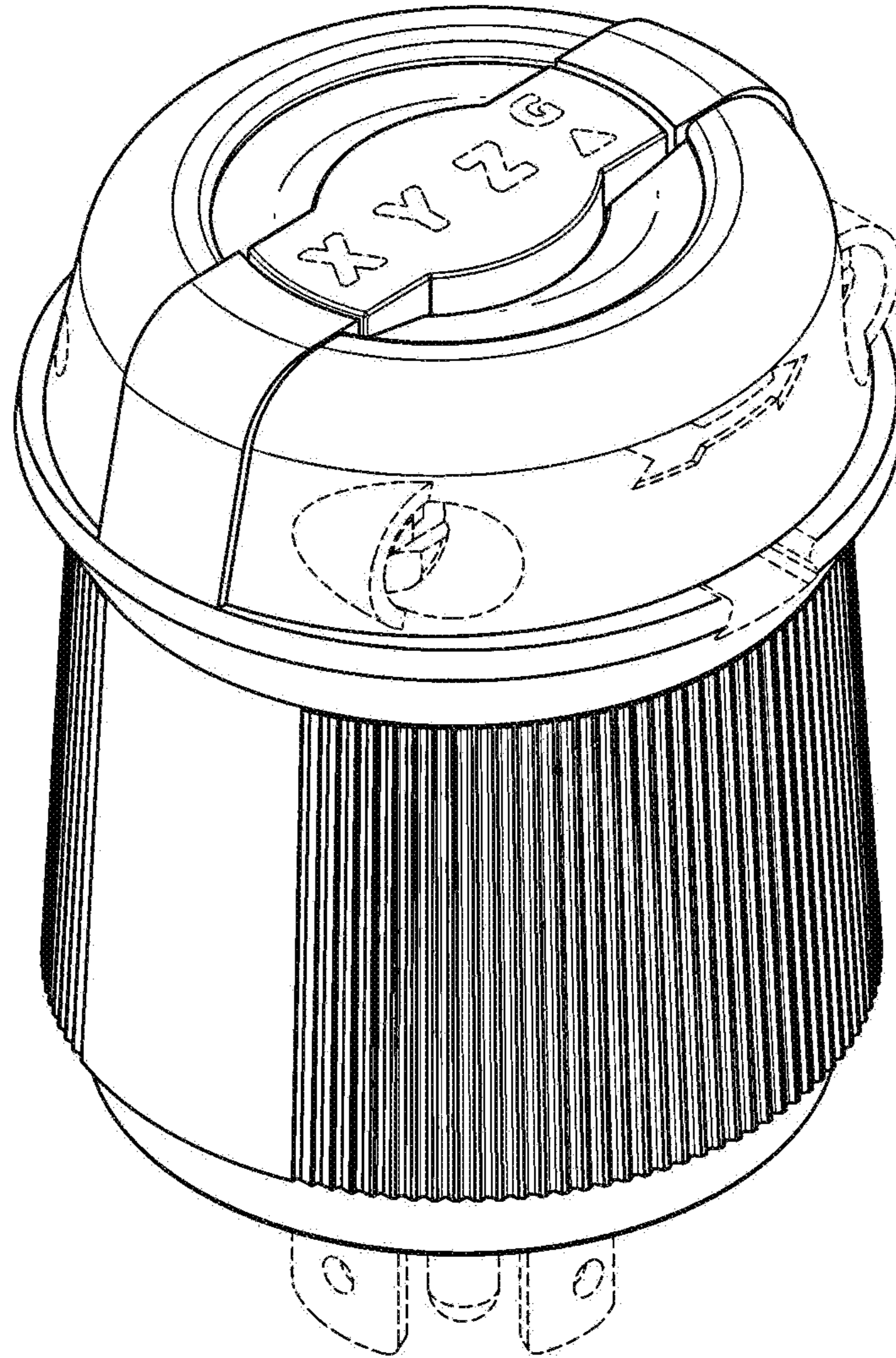


Fig. 1

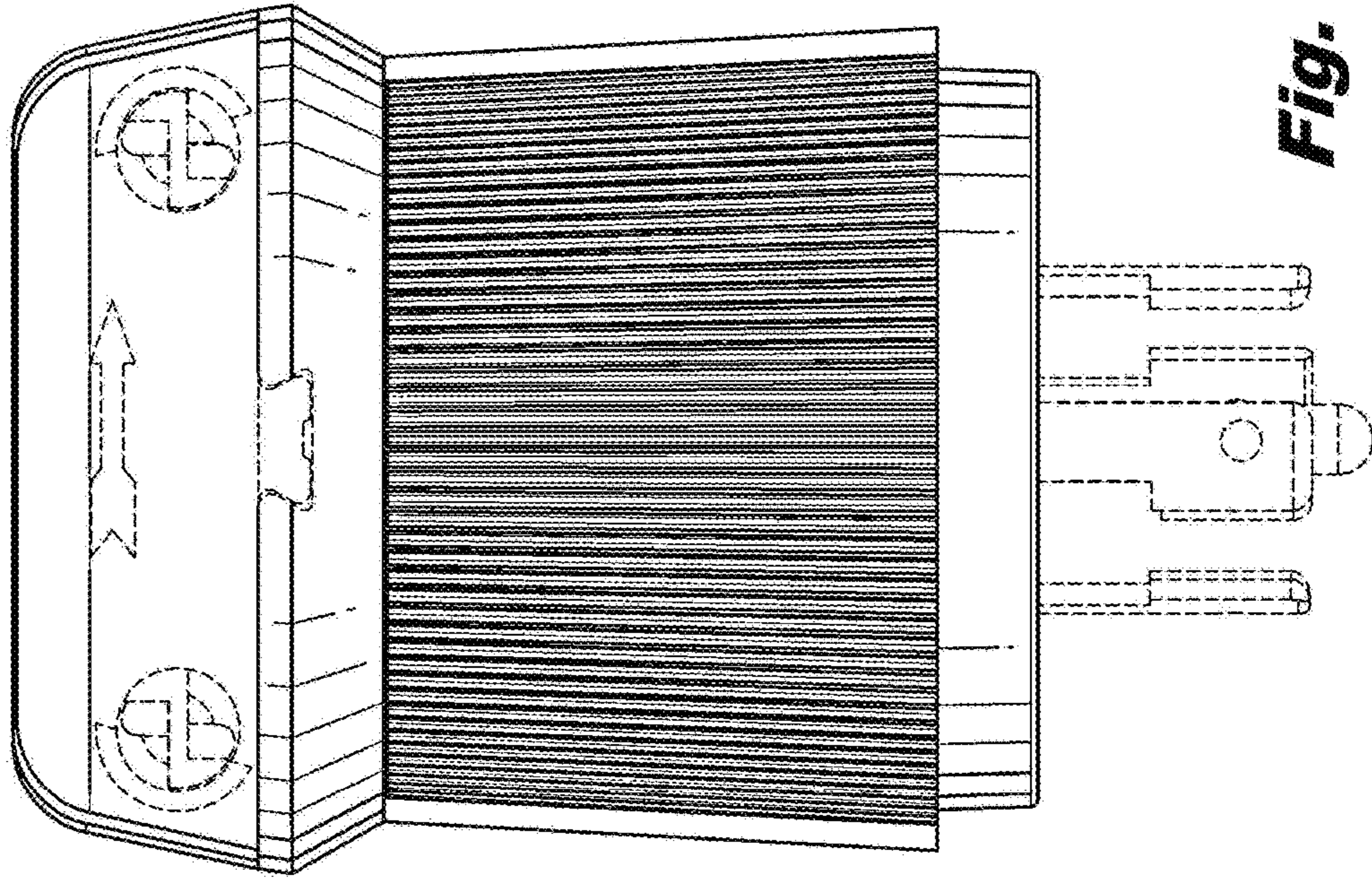


Fig. 3

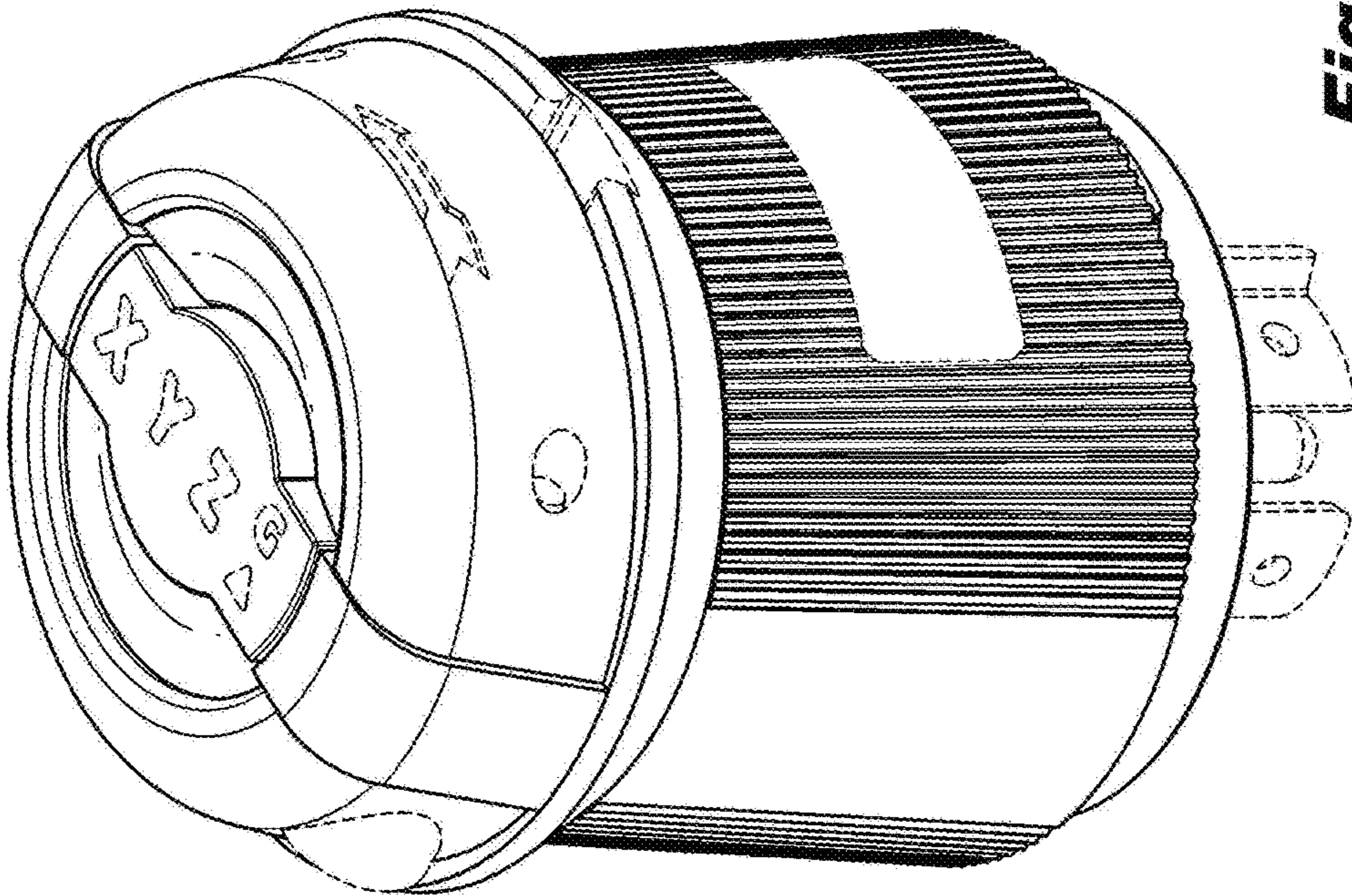


Fig. 2

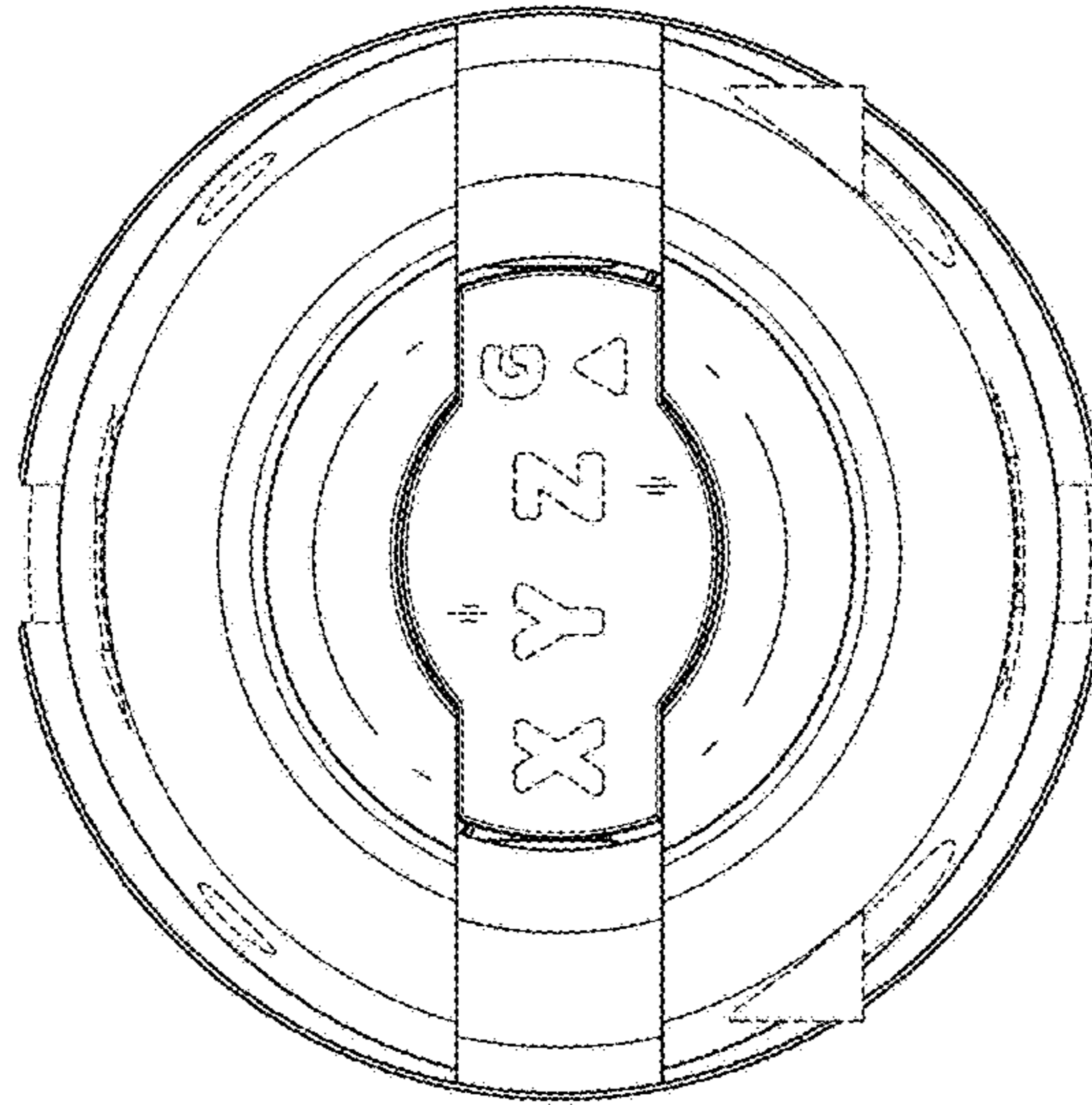


Fig. 5

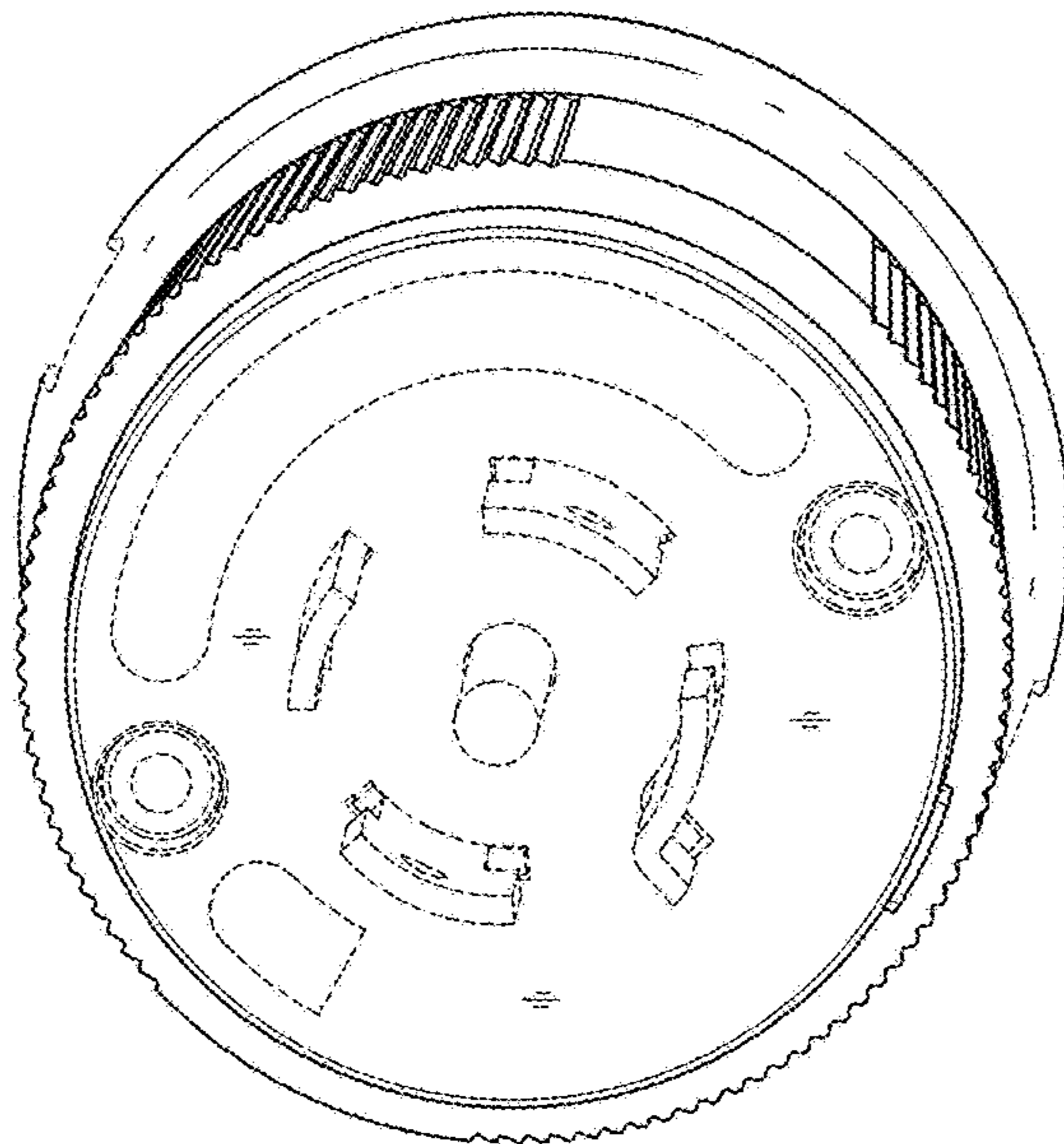


Fig. 4