



US00D788037S

(12) **United States Design Patent**
Hung et al.

(10) **Patent No.:** **US D788,037 S**

(45) **Date of Patent:** **** May 30, 2017**

(54) **ADAPTER**

(71) Applicant: **DELTA ELECTRONICS, INC.,**
Taoyuan (TW)

(72) Inventors: **Ruei-Lin Hung, Taoyuan (TW);**
Hung-Sheng Hsieh, Taoyuan (TW)

(73) Assignee: **DELTA ELECTRONICS, INC. (TW)**

(**) Term: **15 Years**

(21) Appl. No.: **29/565,426**

(22) Filed: **May 20, 2016**

(51) **LOC (10) Cl.** **13-02**

(52) **U.S. Cl.**
USPC **D13/110**

(58) **Field of Classification Search**
USPC D13/101, 102, 107, 108, 110, 112, 118,
D13/119, 123, 133, 138.1, 162, 184, 199
CPC H02P 27/04; H02P 27/06; H02P 27/047;
H02P 2201/09; H02P 2201/11; H02M
2001/0067; H02M 2001/007; H02M
2001/0045; H02M 2001/0083; H02M
2001/009; G06F 1/00; G06F 1/188; G06F
1/189; G06F 1/26; G06F 11/2015; H01R
13/66; H01R 13/60; H01R 13/72; H01R
13/6675; H01R 31/065; H05K 5/0021;
H05K 5/0208; H05K 5/0247; H05K 5/00
See application file for complete search history.

(56) **References Cited**

U.S. PATENT DOCUMENTS

5,507,667	A *	4/1996	Hahn	H01R 13/60 439/501
D479,823	S *	9/2003	Andre	D13/110
D660,229	S *	5/2012	Tseng	D13/110
D674,755	S *	1/2013	Suzuki	D13/147
D675,158	S *	1/2013	Smith	D13/110

D678,191	S *	3/2013	Fitch	D13/108
D708,129	S *	7/2014	Houghton	D13/103
D730,903	S *	6/2015	Langhammer	D14/433
D731,489	S *	6/2015	Langhammer	D14/433
D733,685	S *	7/2015	Izen	D14/217
D743,333	S *	11/2015	Nomi	D13/108
D743,889	S *	11/2015	Lyles	D13/110
D754,601	S *	4/2016	Lai	D13/110
D758,967	S *	6/2016	Chen	D13/110
D763,185	S *	8/2016	Wen	D13/103
D764,410	S *	8/2016	Alesi	D13/110
D765,028	S *	8/2016	Alesi	D13/110
D773,991	S *	12/2016	Liu	D13/107
2014/0094065	A1 *	4/2014	Martin	H01R 13/72 439/638

* cited by examiner

Primary Examiner — Rosemary K Tarcza

Assistant Examiner — Christy Nemeth

(74) *Attorney, Agent, or Firm* — Hauptman Ham, LLP

(57) **CLAIM**

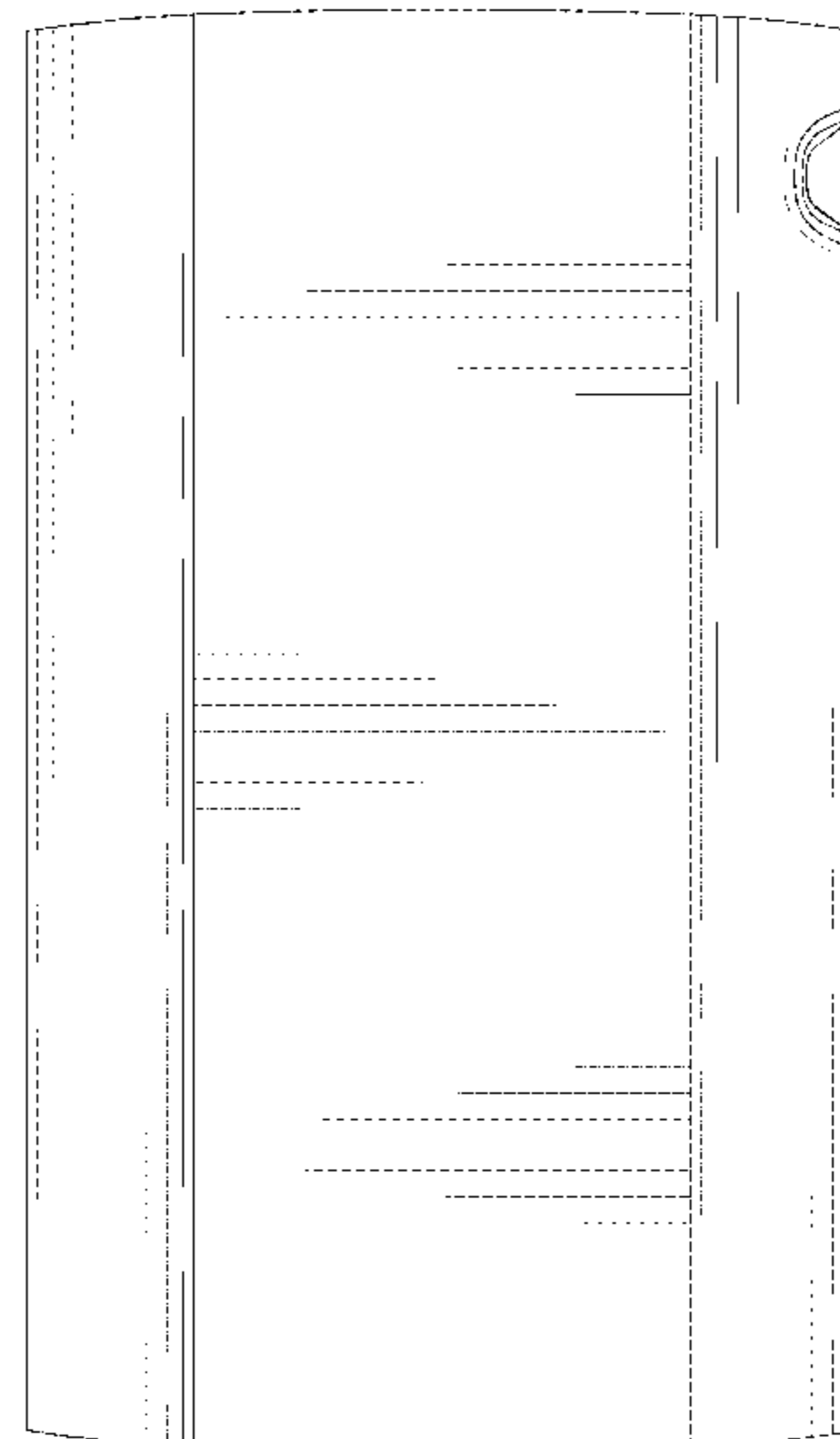
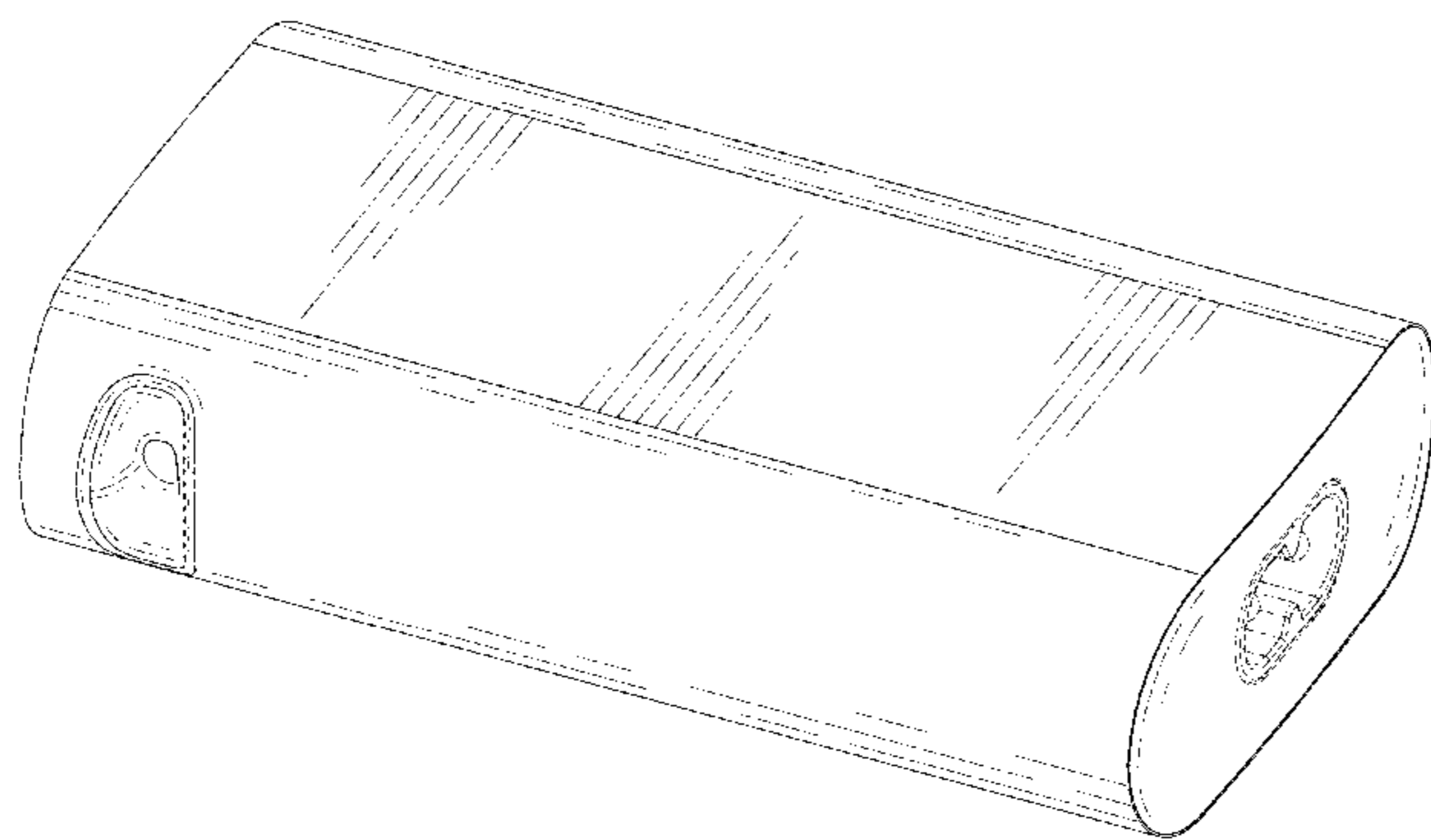
The ornamental design for an adapter, as shown and described.

DESCRIPTION

FIG. 1 is a perspective view of an adapter showing our new design;
FIG. 2 is a front view thereof;
FIG. 3 is a rear view thereof;
FIG. 4 is a left side view thereof;
FIG. 5 is a right side view thereof;
FIG. 6 is a top view thereof;
FIG. 7 is a bottom view thereof; and
FIG. 8 is another perspective view showing the adapter; and,
FIG. 9 is a perspective view showing the adapter in use for reference.

The broken lines shown represent unclaimed subject matter and form no part of the claimed design.

1 Claim, 9 Drawing Sheets



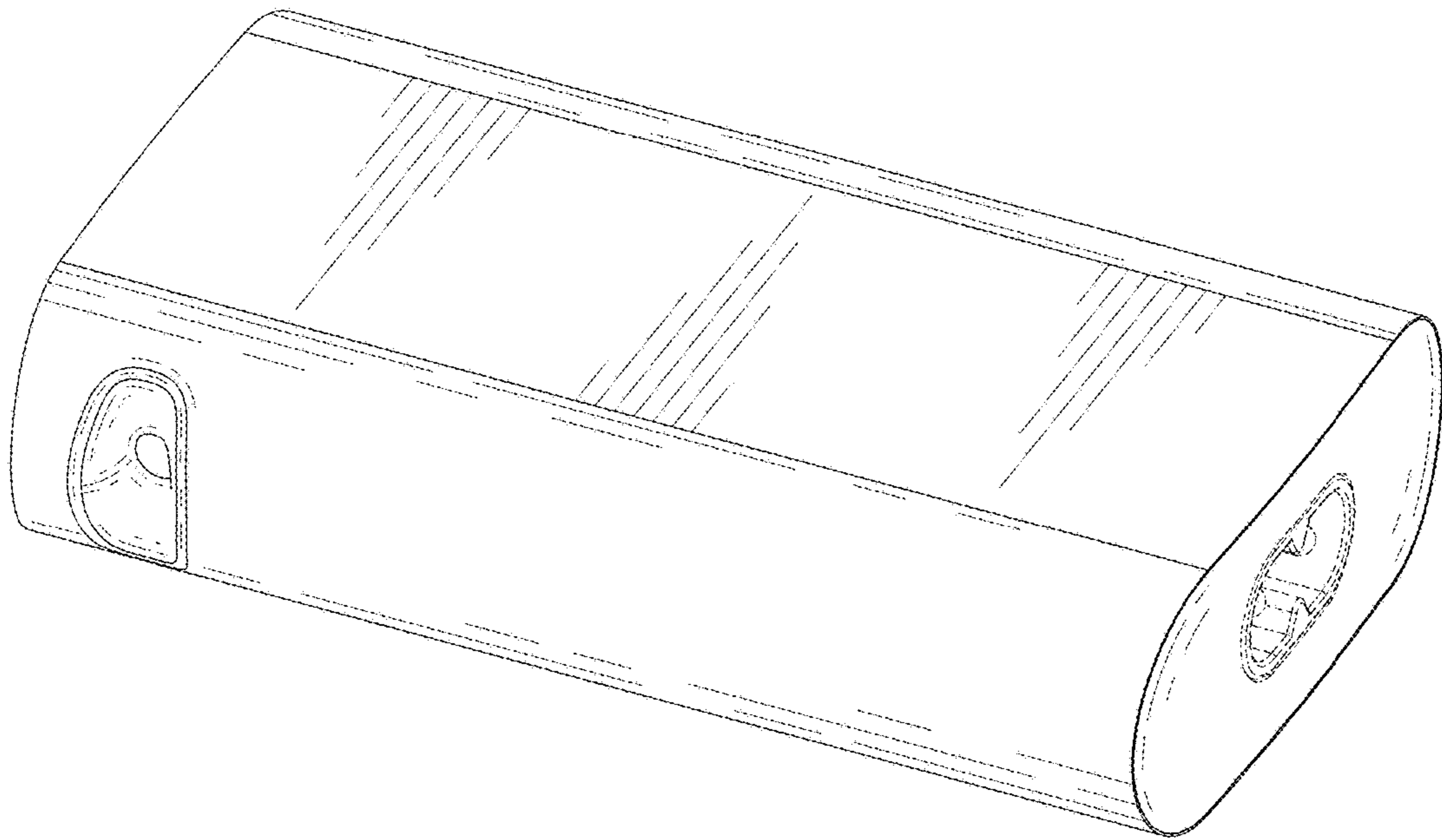


FIG.1

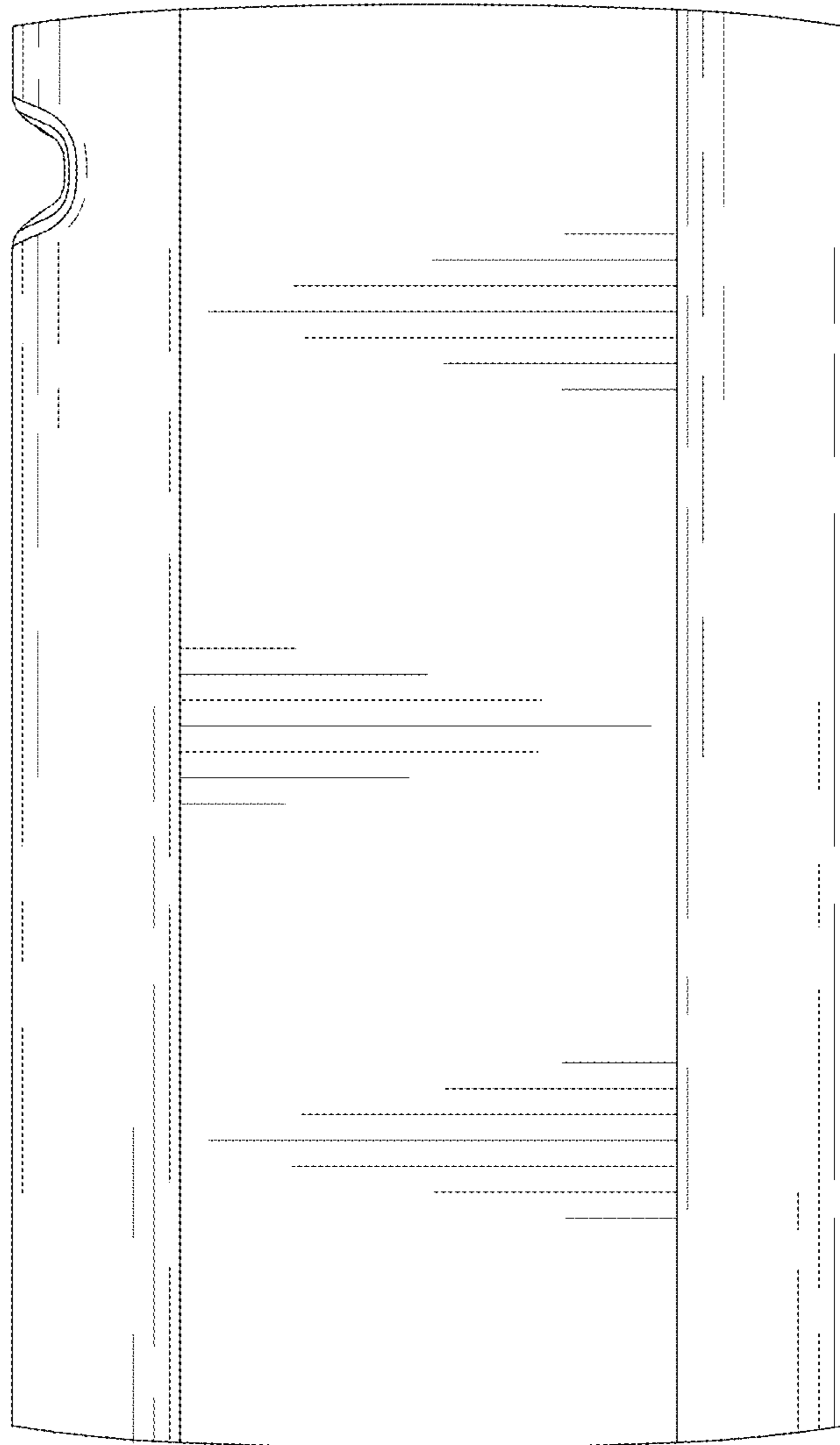


FIG.2

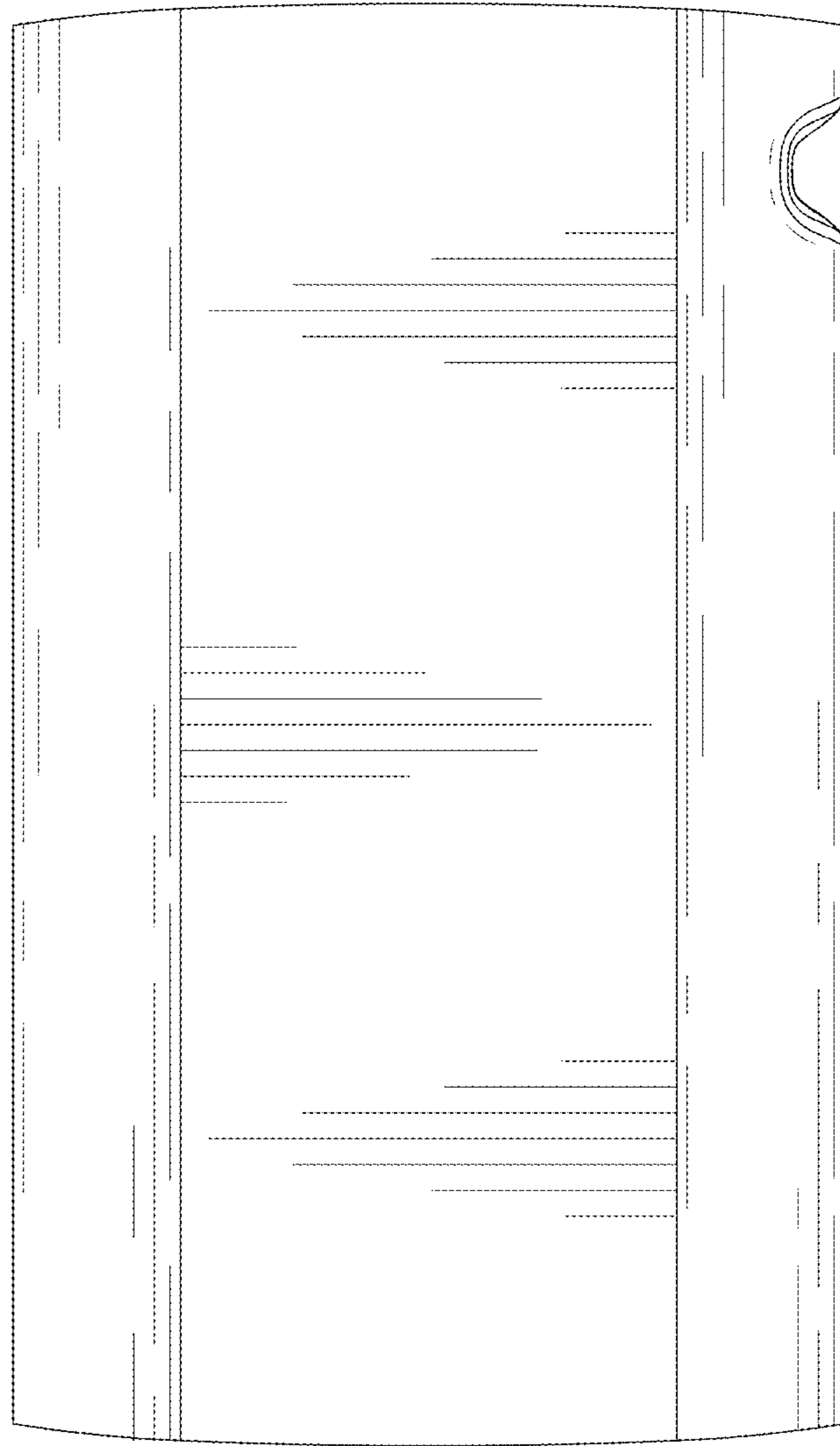


FIG.3

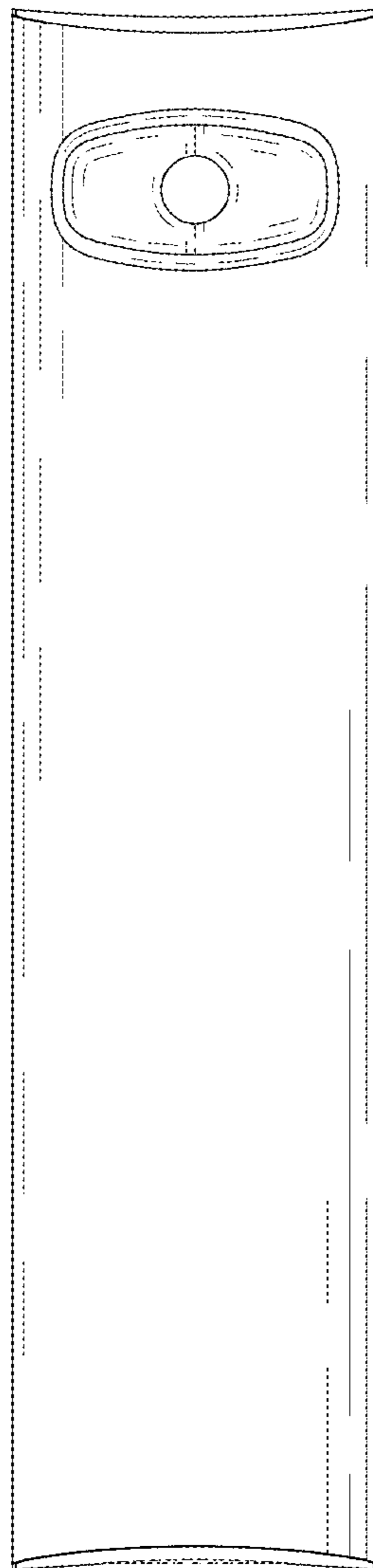


FIG.4

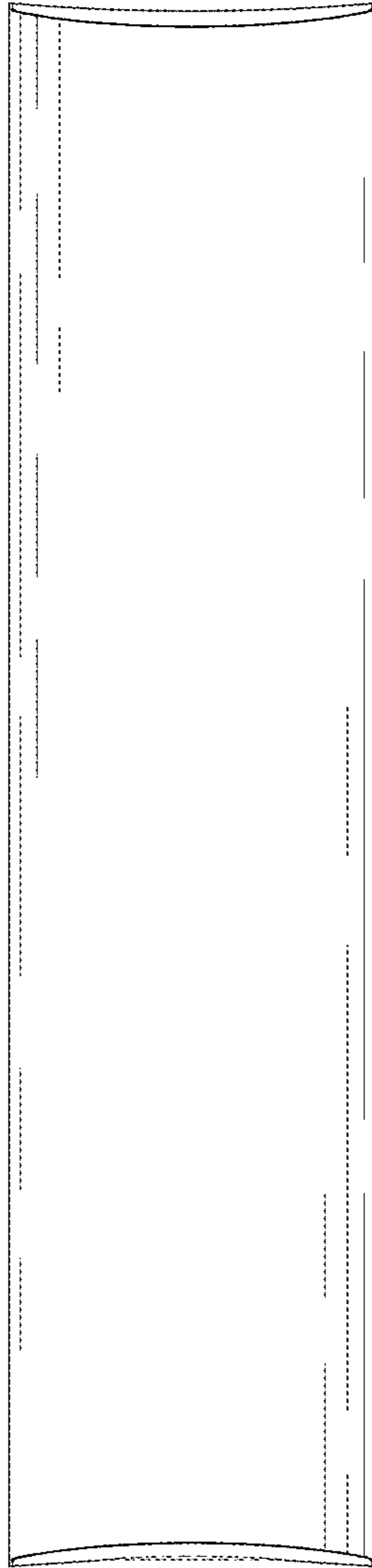


FIG.5

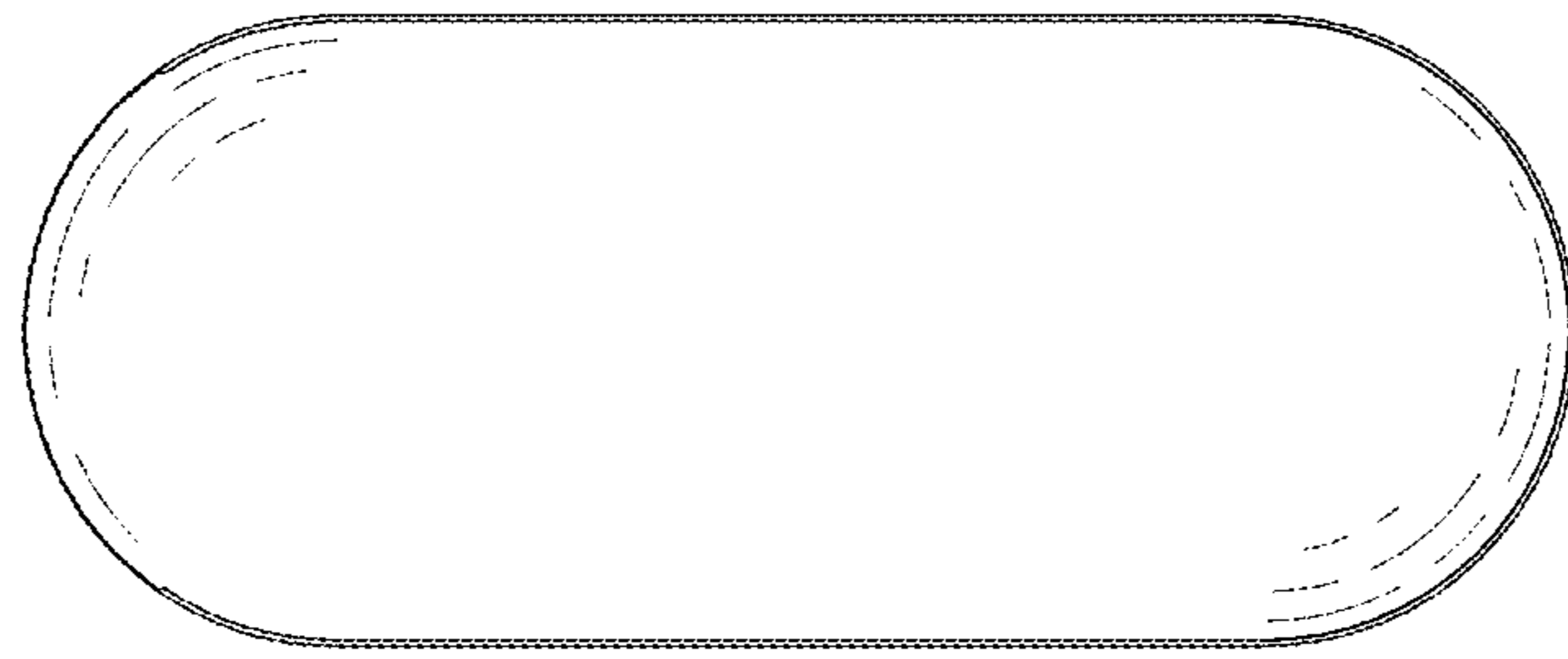


FIG.6

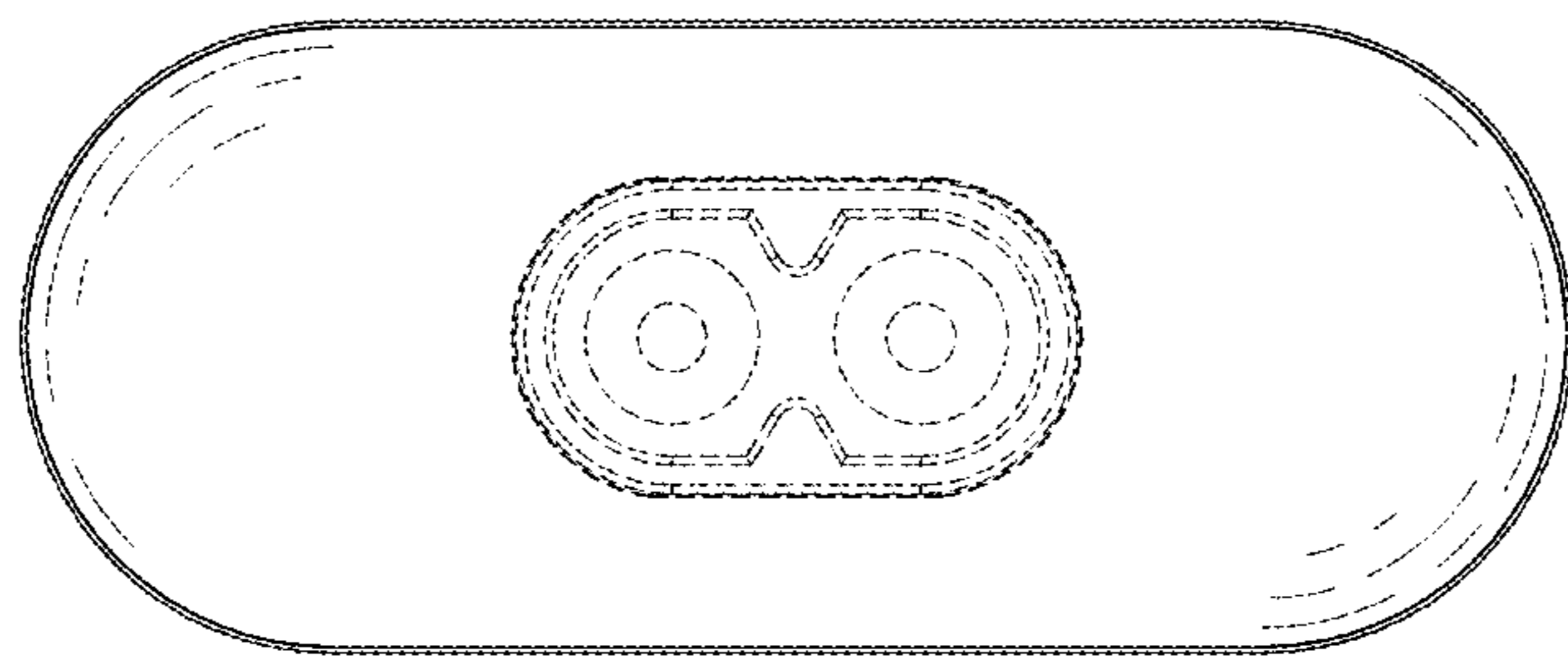


FIG. 7

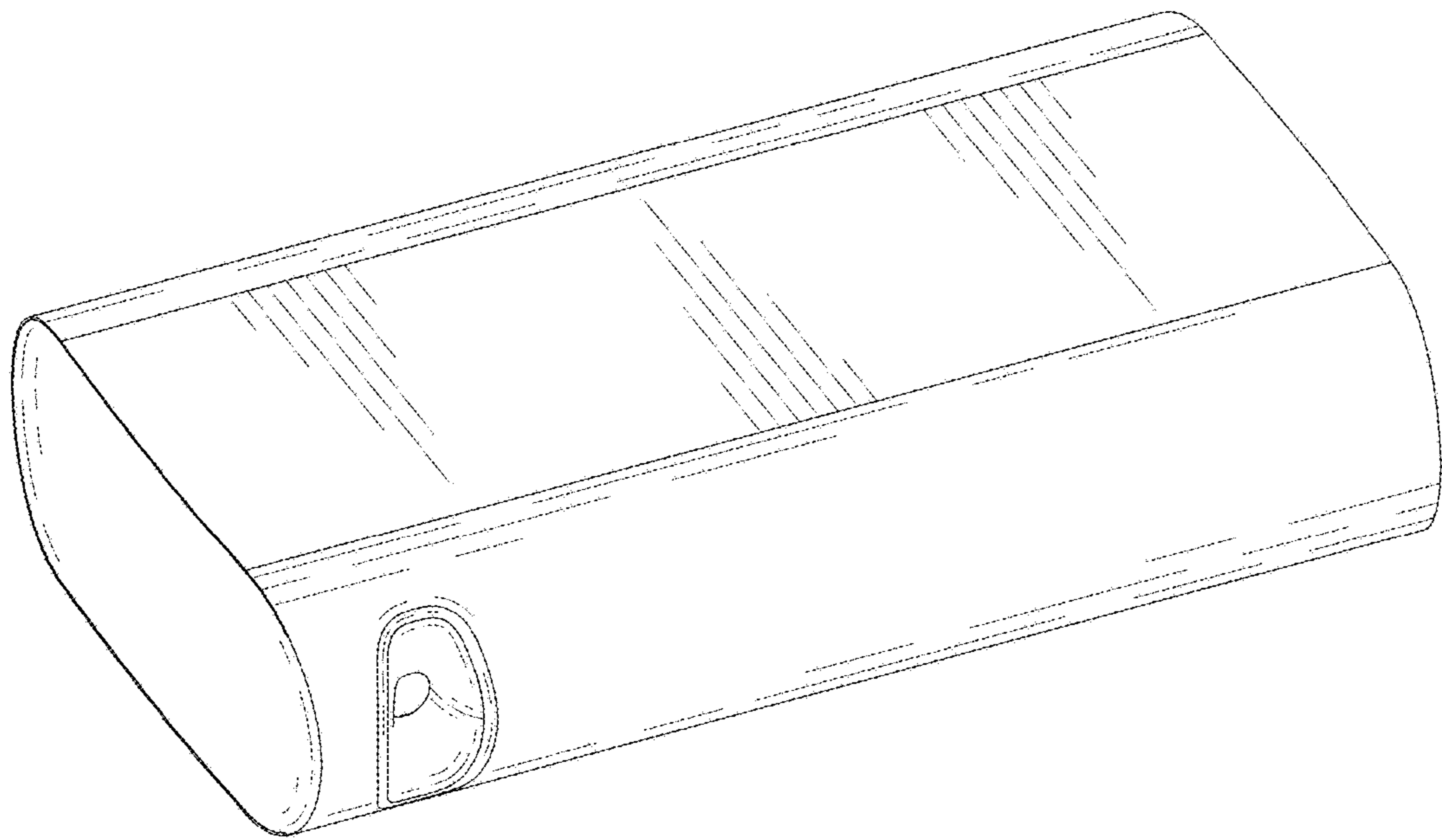


FIG.8

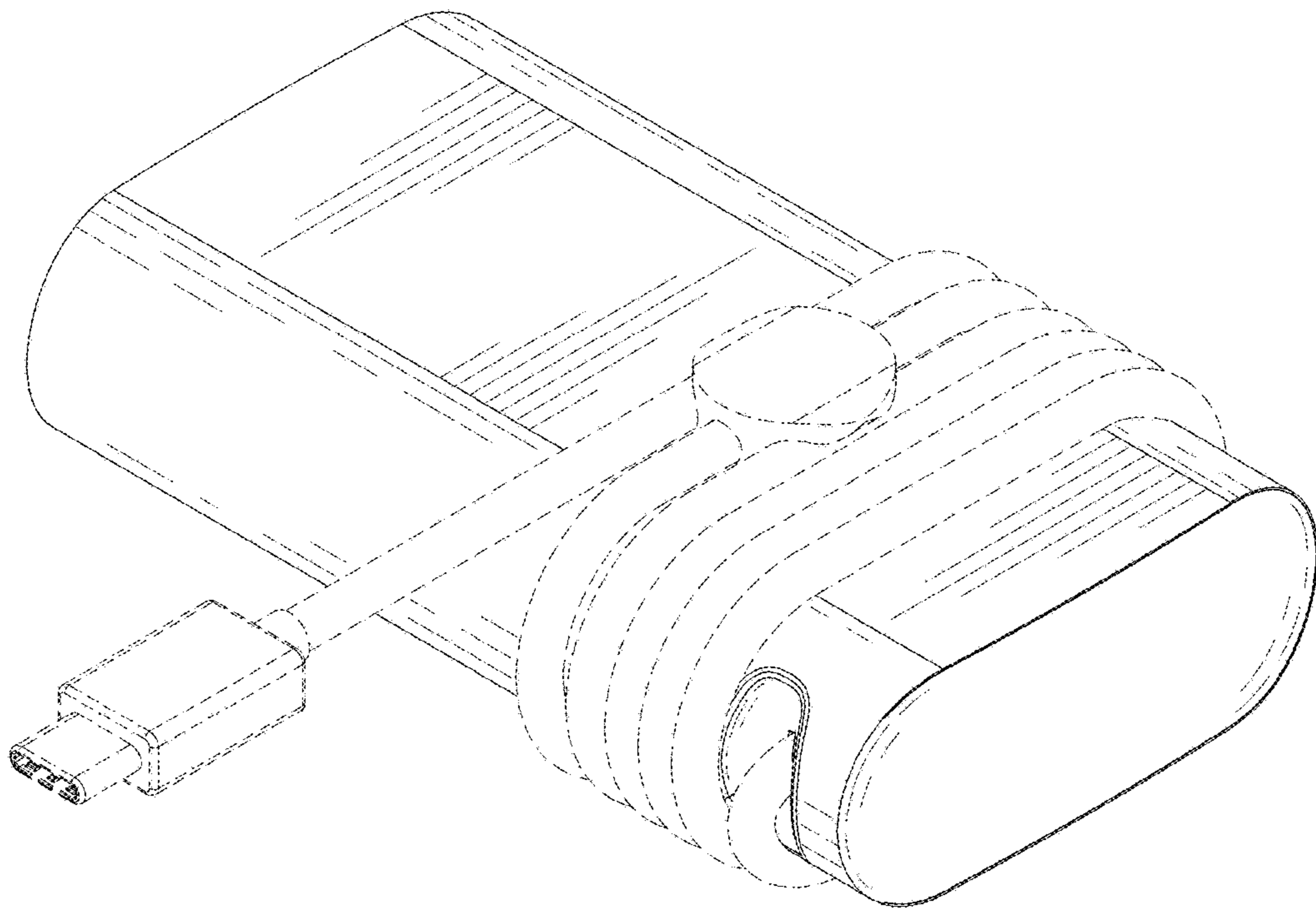


FIG.9